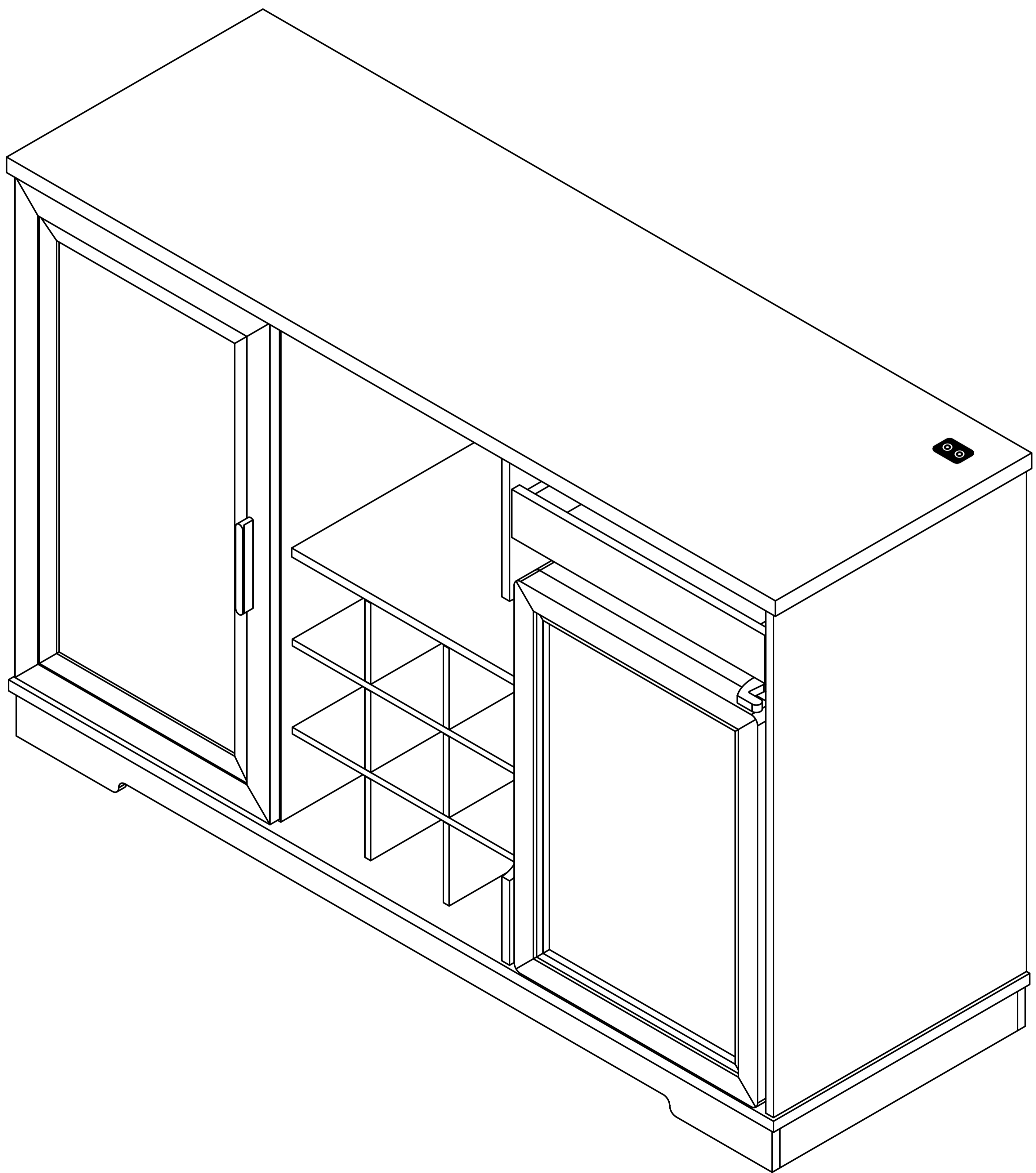
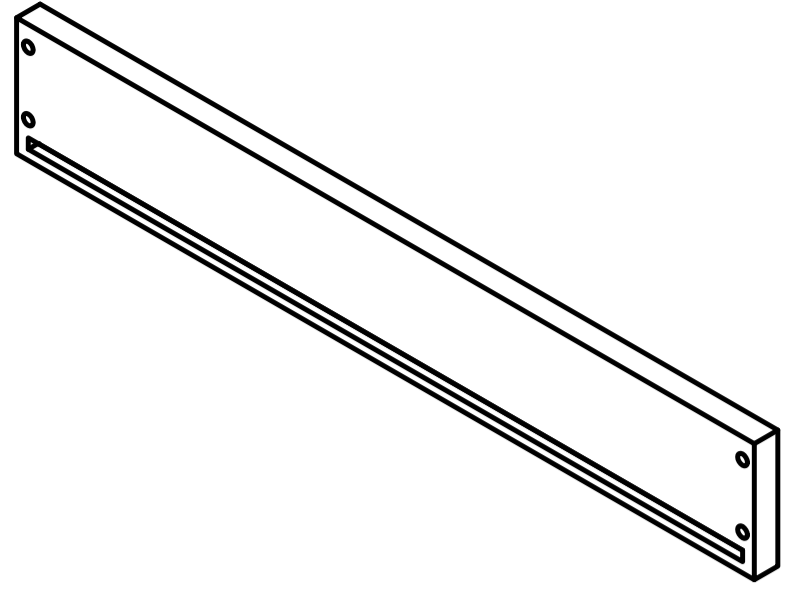
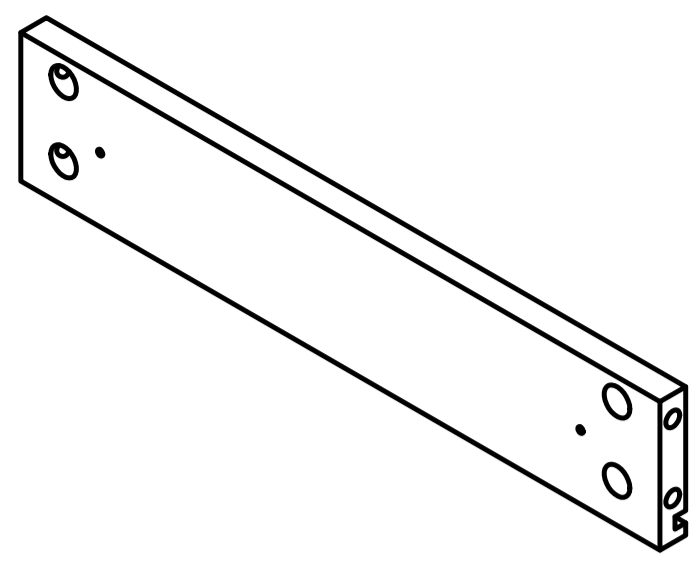


# Product Installation Instructions

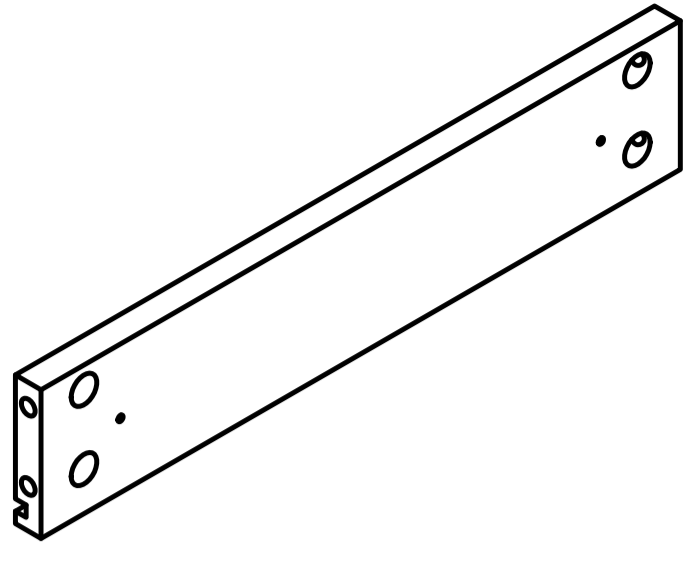




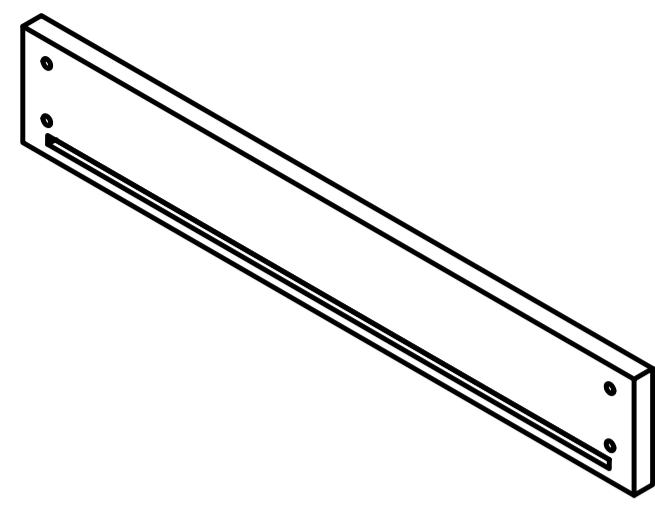
**Ax1**



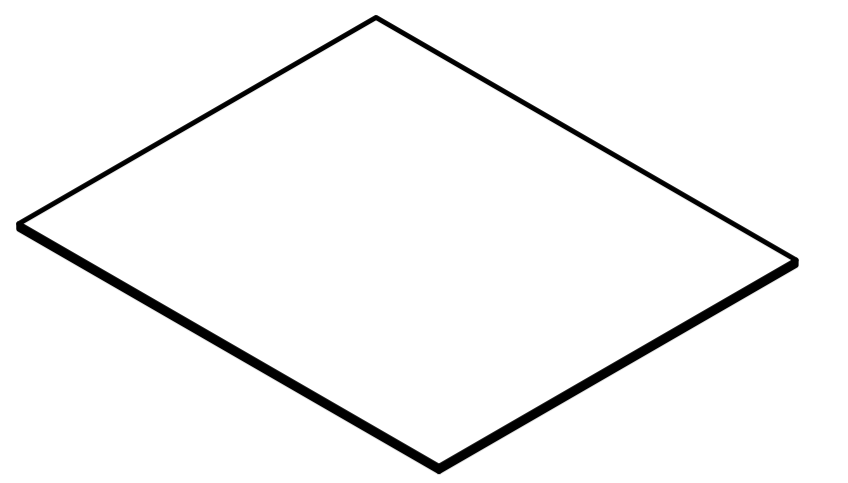
**Bx1**



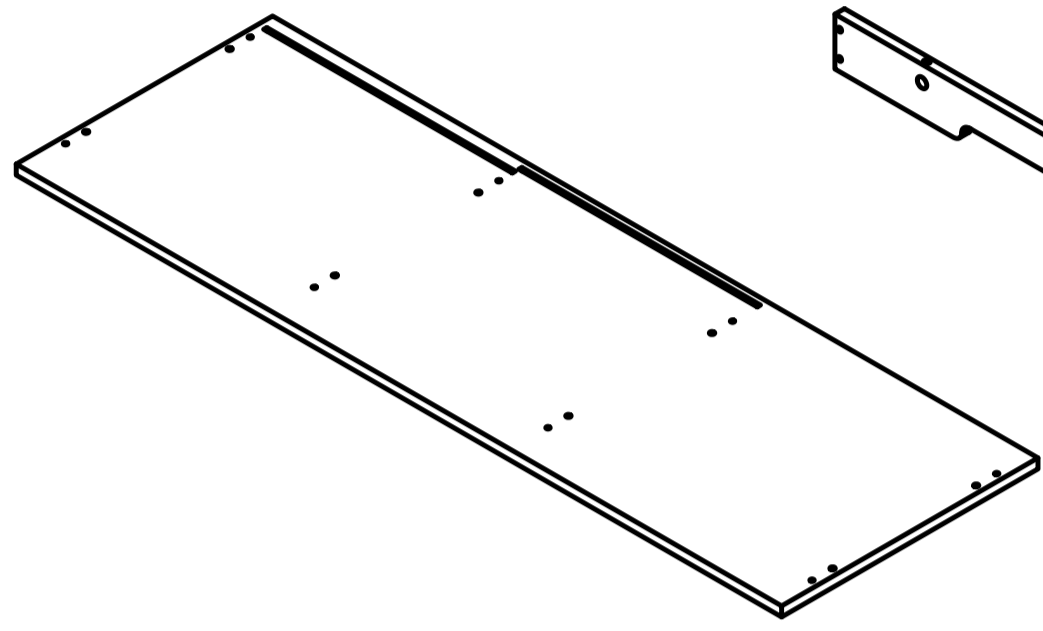
**Cx1**



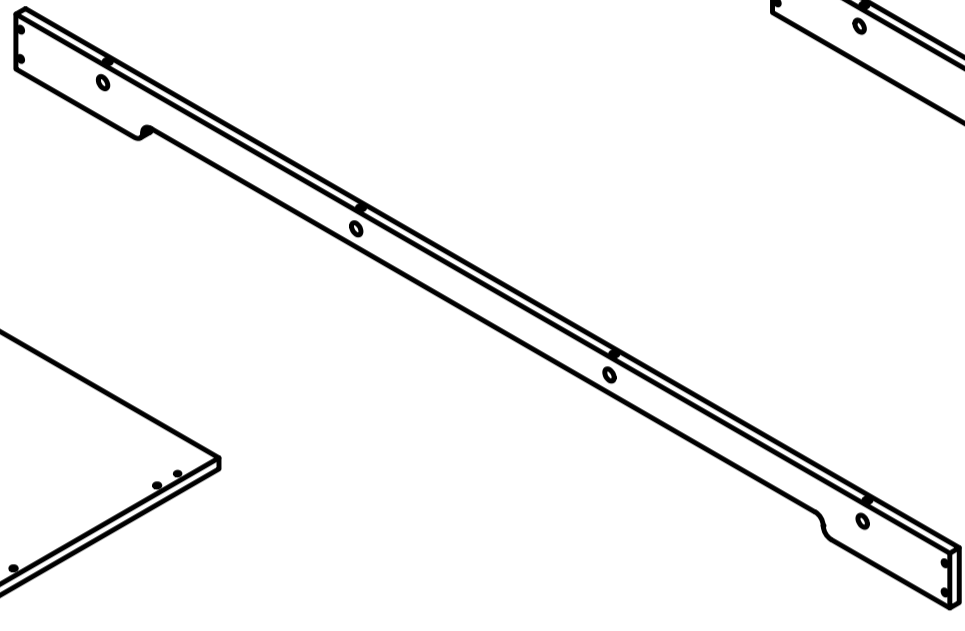
**Dx1**



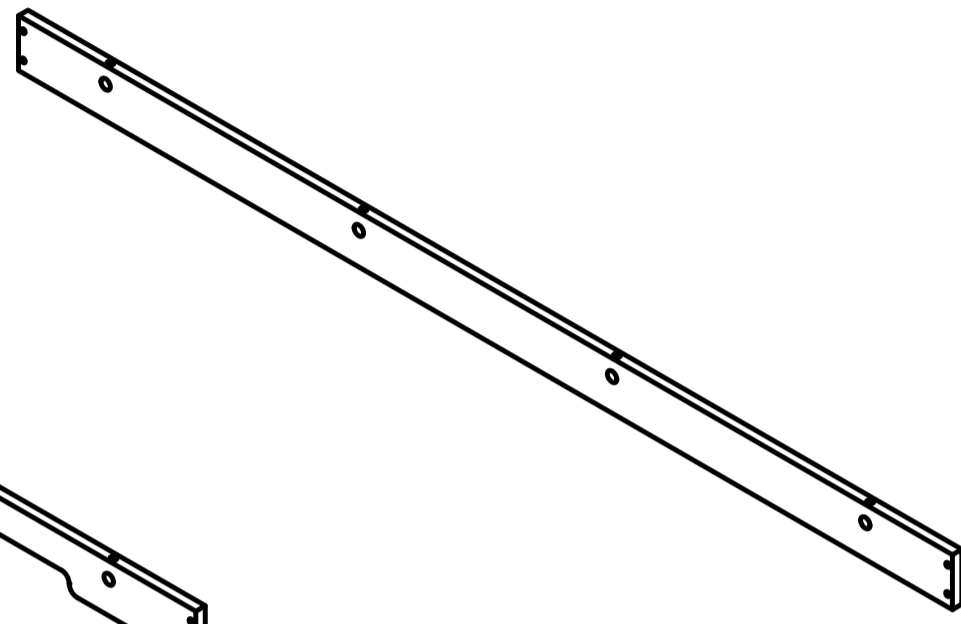
**Ex1**



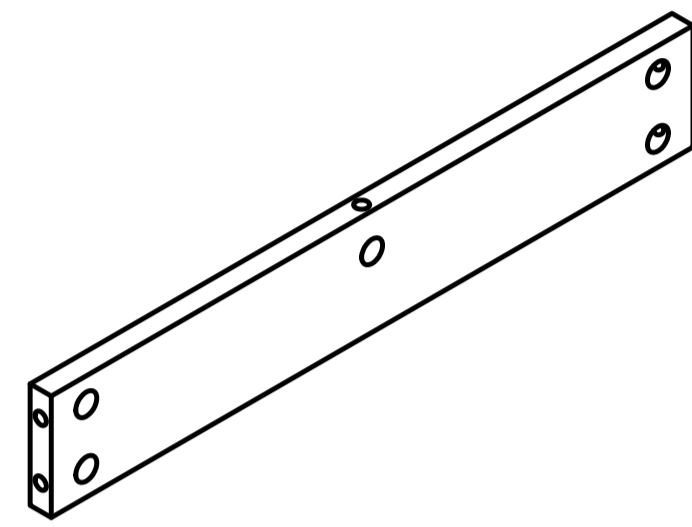
**Fx1**



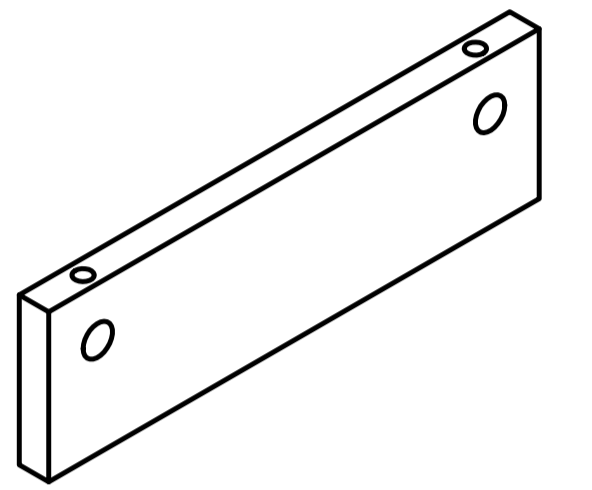
**Gx1**



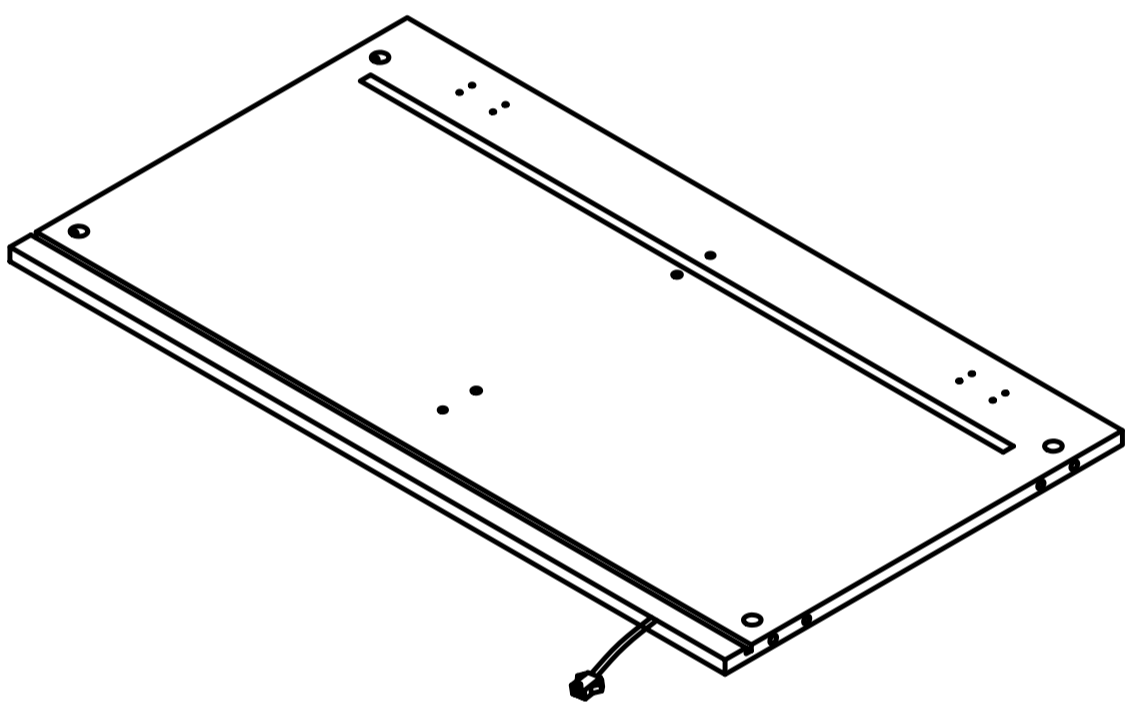
**Hx1**



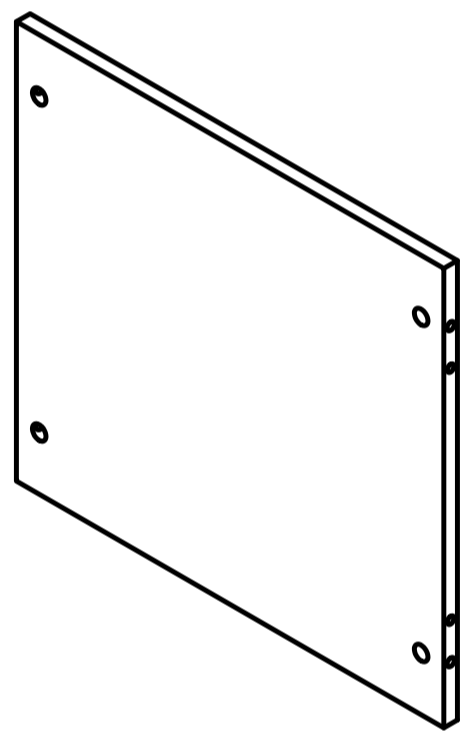
**Ix2**



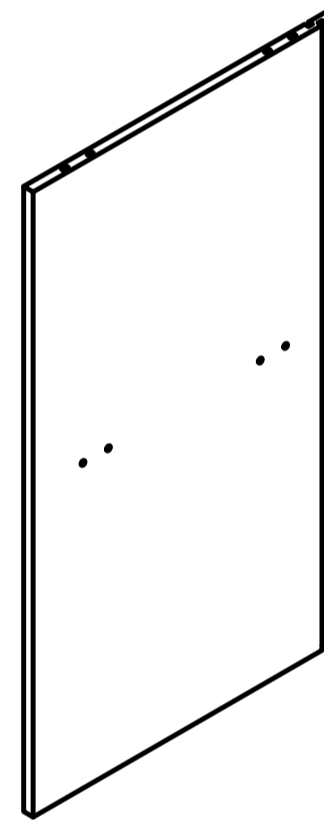
**Jx2**



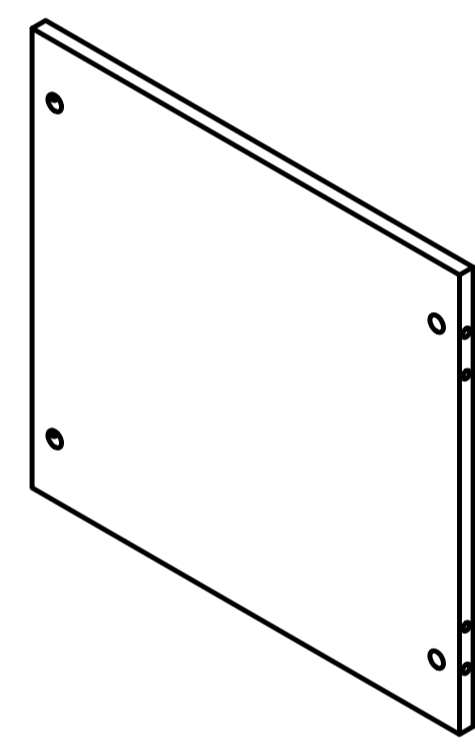
**Kx1**



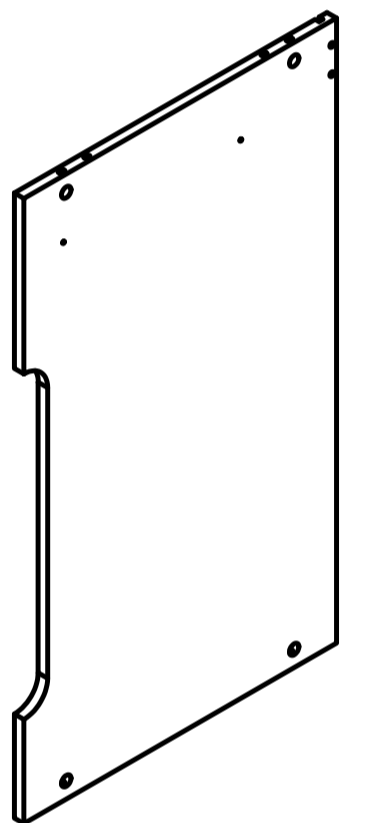
**Lx1**



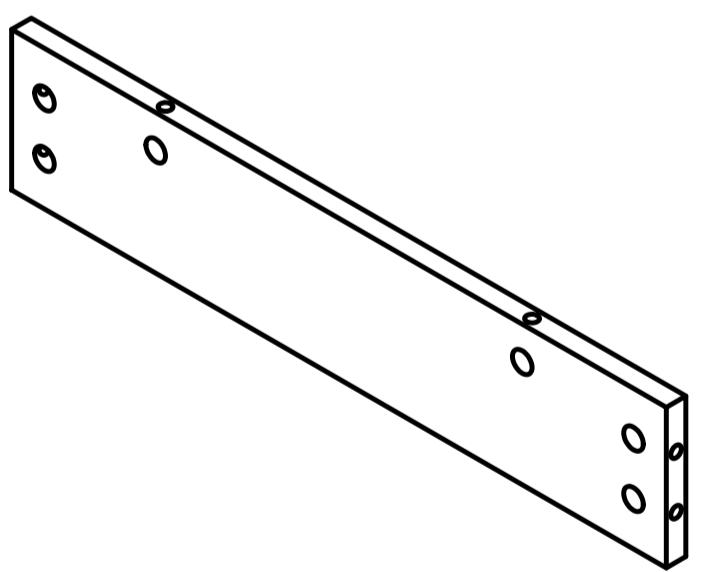
**Mx1**



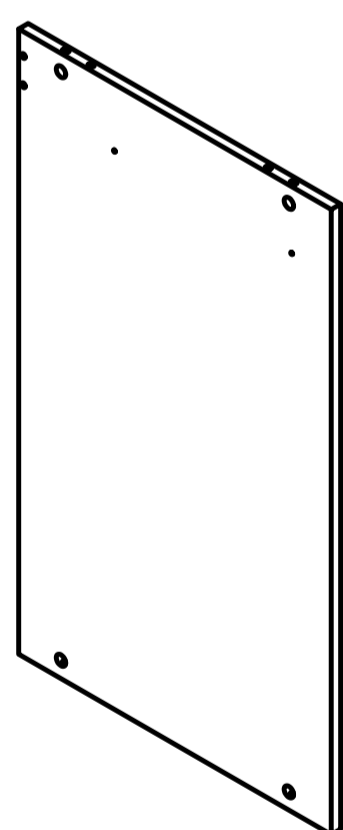
**Nx1**



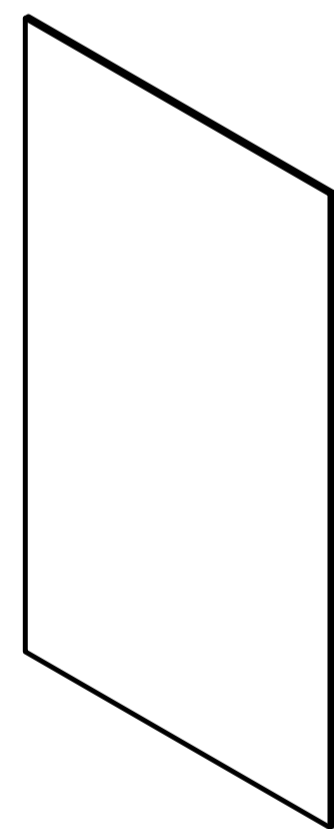
**Ox1**



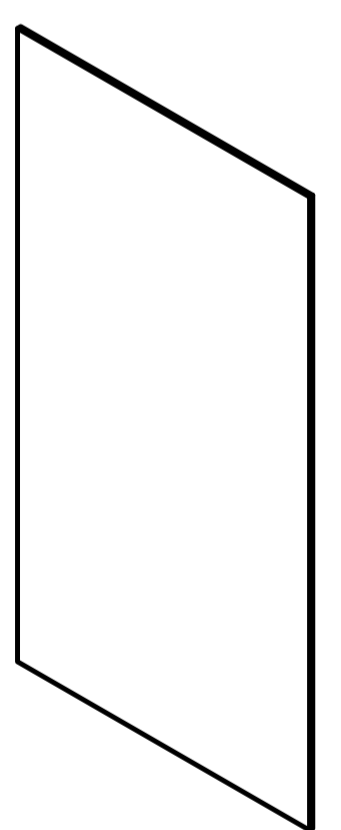
**Px1**



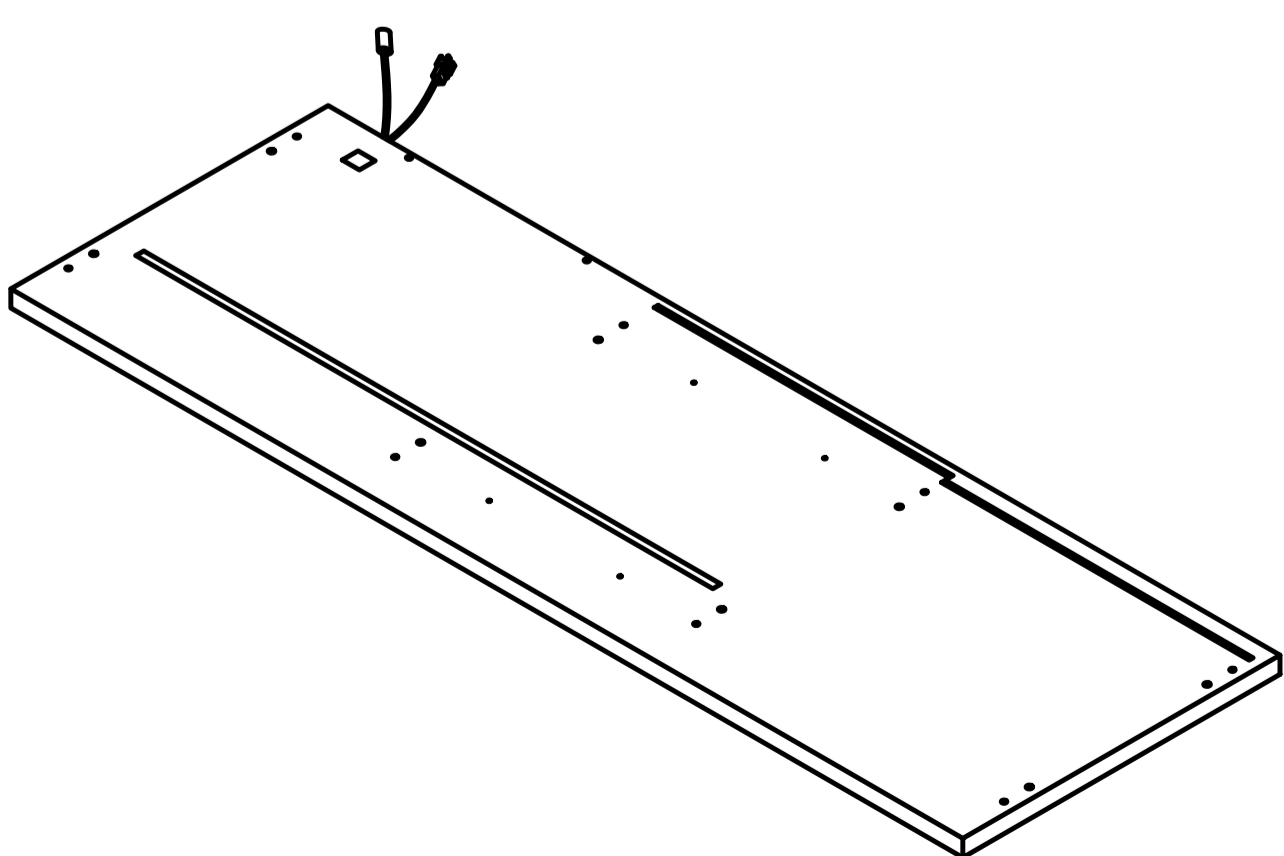
**Qx1**



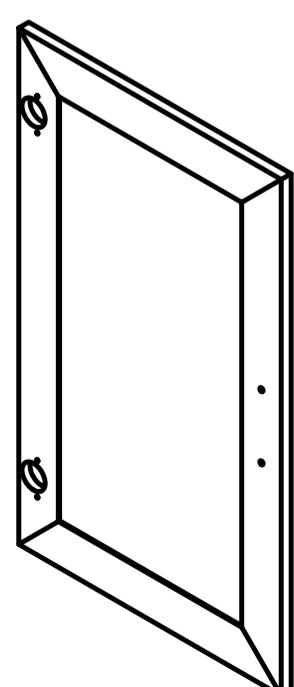
**Rx1**



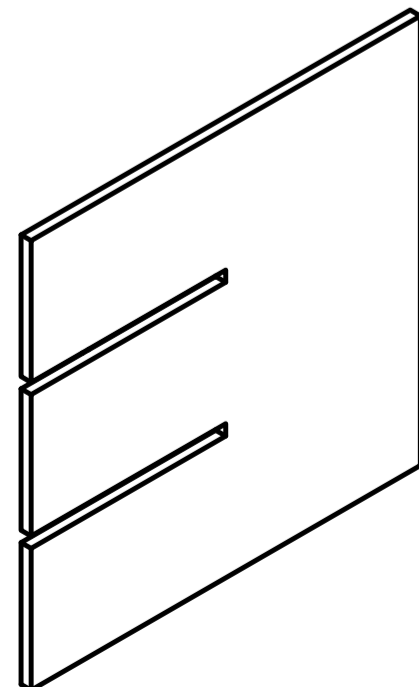
**Sx1**



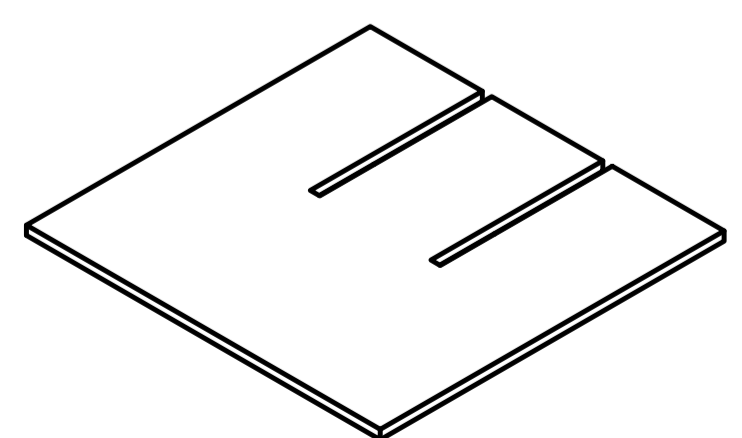
**Tx1**



**Ux1**



**Vx2**

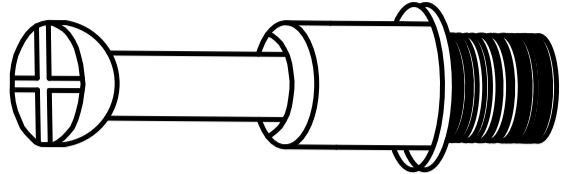
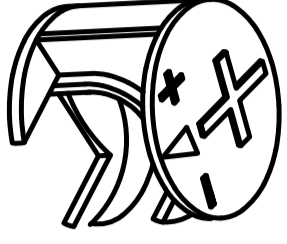
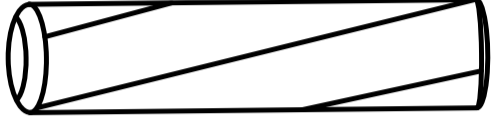
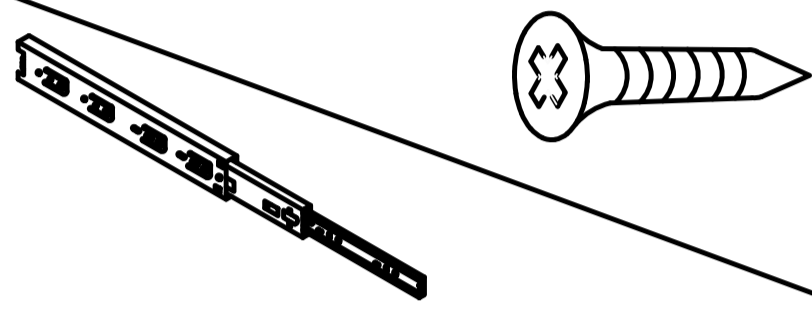

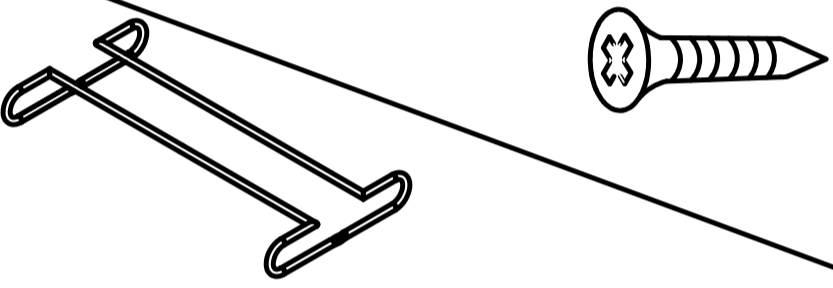
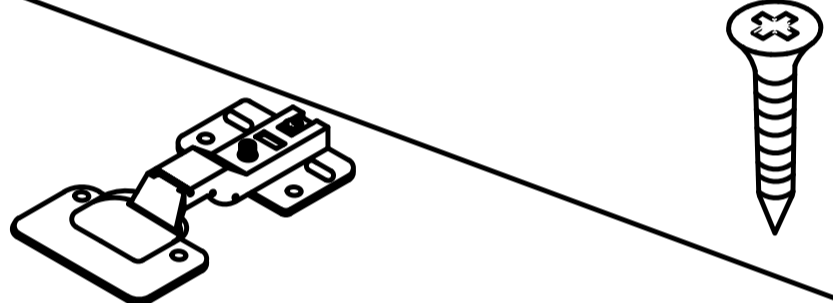
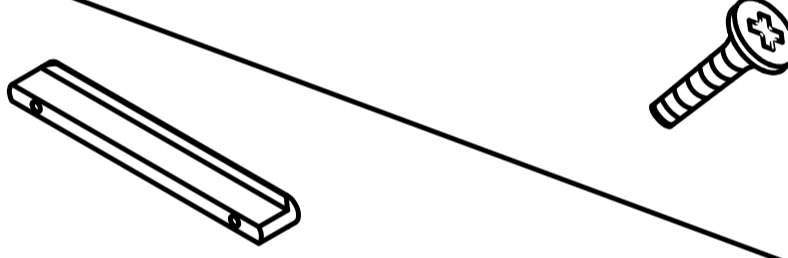
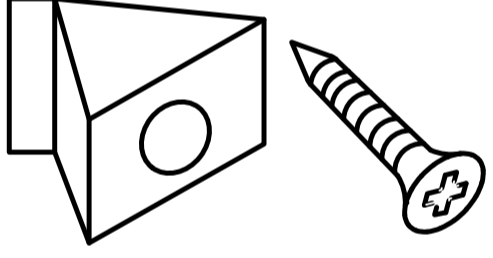
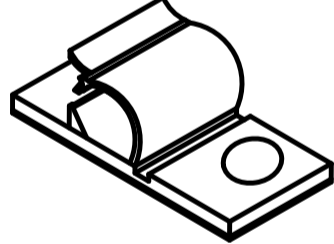
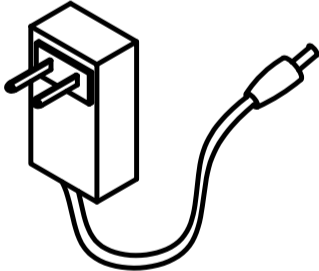


**Wx2**

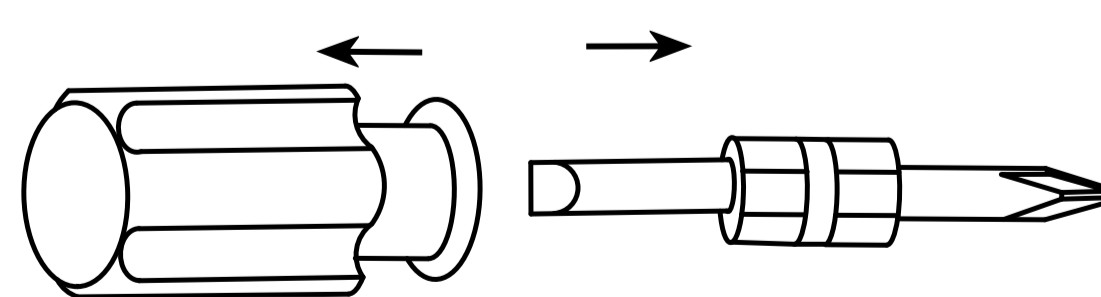
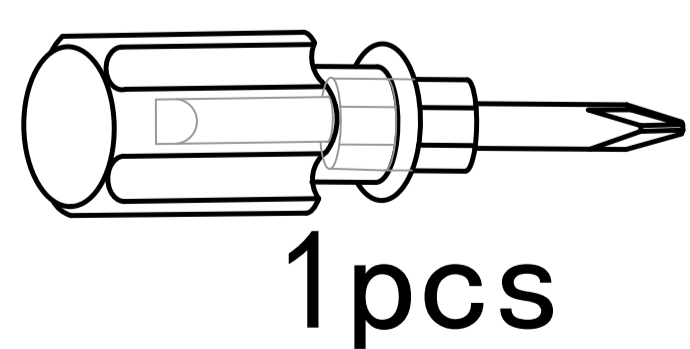


**1**

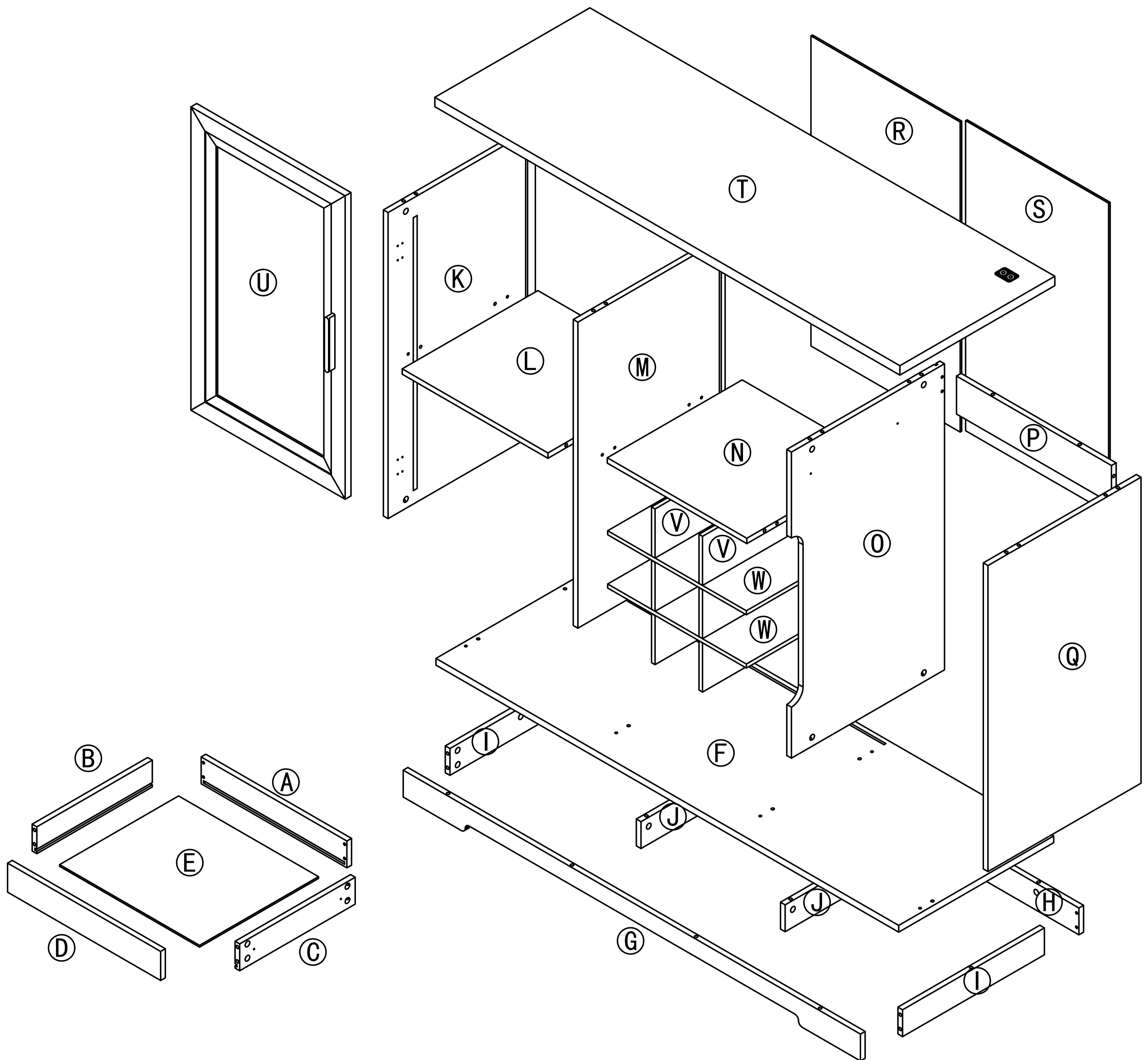
# Accessories list

|   |   |                                     |                        |
|---|---|-------------------------------------|------------------------|
| ① |    | Two in one screw<br>(6x28mm)        | 60pcs<br>+4pcs         |
| ② |    | Two in one nut<br>(10x12mm)         | 60pcs<br>+4pcs         |
| ③ |    | Wood chipping<br>(6x30mm)           | 24pcs<br>+3pcs         |
| ④ |    | Guide & Screw(29cm)<br>(3x12mm)     | 10pcs<br>+2pcs<br>2pcs |
| ⑤ |   | Non-slip pads                       | 8pcs<br>+4pcs          |
| ⑥ |  | Wine glass rack & Screw<br>(3x16mm) | 4pcs<br>+1pcs<br>2pcs  |
| ⑦ |  | Hinge & Screw<br>(3.5x12mm)         | 12pcs<br>+2pcs<br>2pcs |
| ⑧ |  | Handle & screw<br>(4x18mm)          | 2pcs<br>+1pcs<br>1pcs  |
| ⑨ |  | Fixing clip & screw<br>(3x16mm)     | 8pcs<br>+1pcs          |
| ⑩ |  | Wire Clamp                          | 2pcs<br>+1pcs          |
|   |  | AC/DC Adapter (12V=2.0A)            | 1pcs                   |

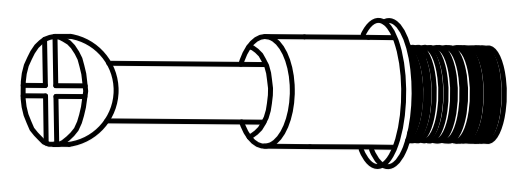
Double-head screwdriver, use as required



# Product structure decomposition

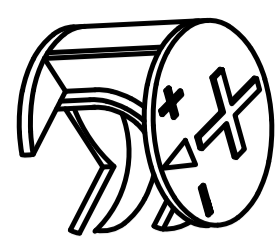


1



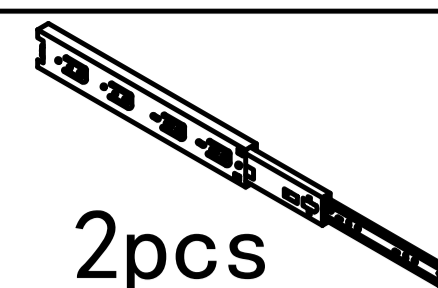
8pcs

2

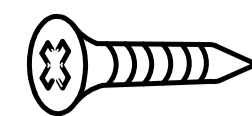


8pcs

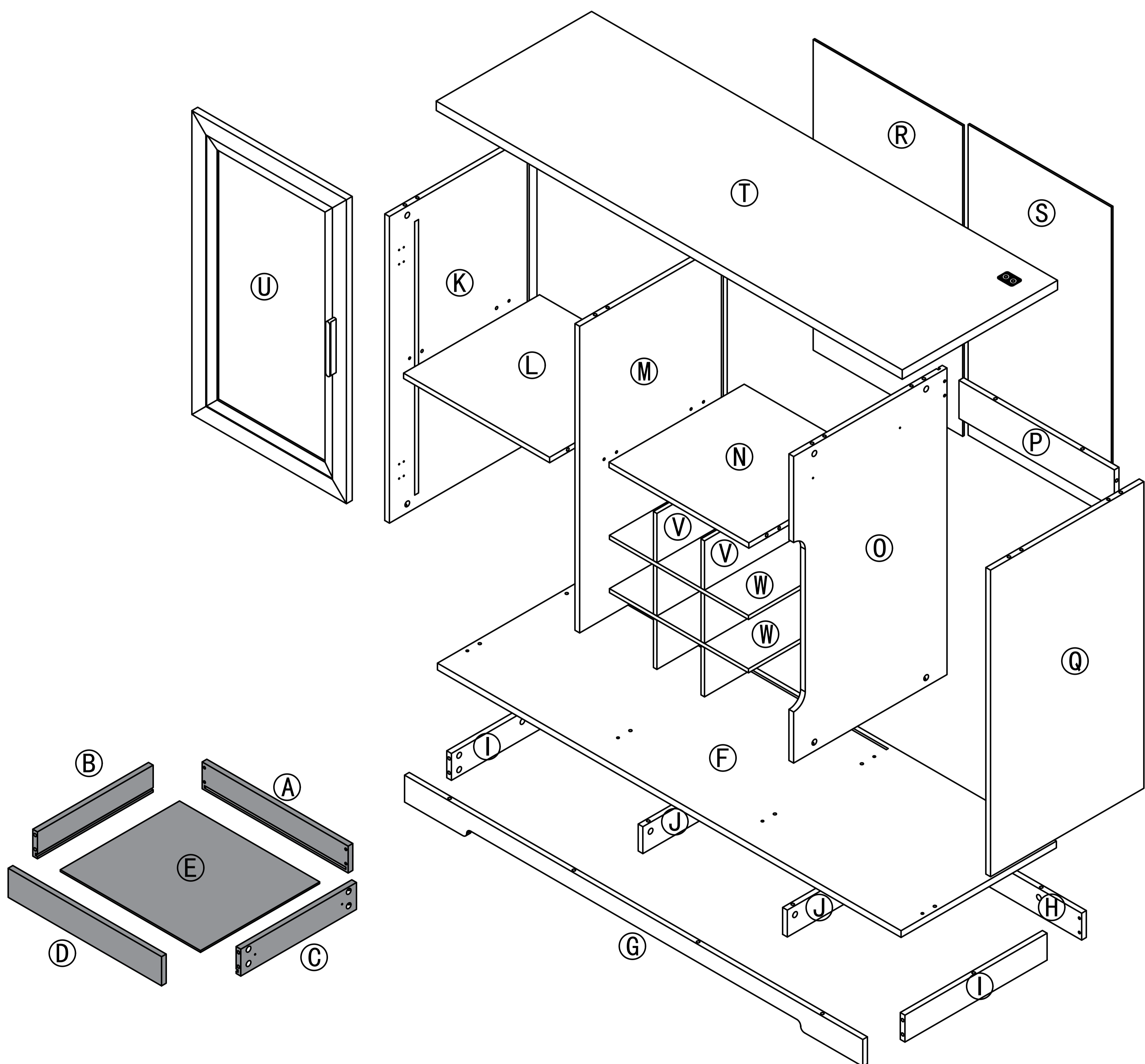
4



2pcs



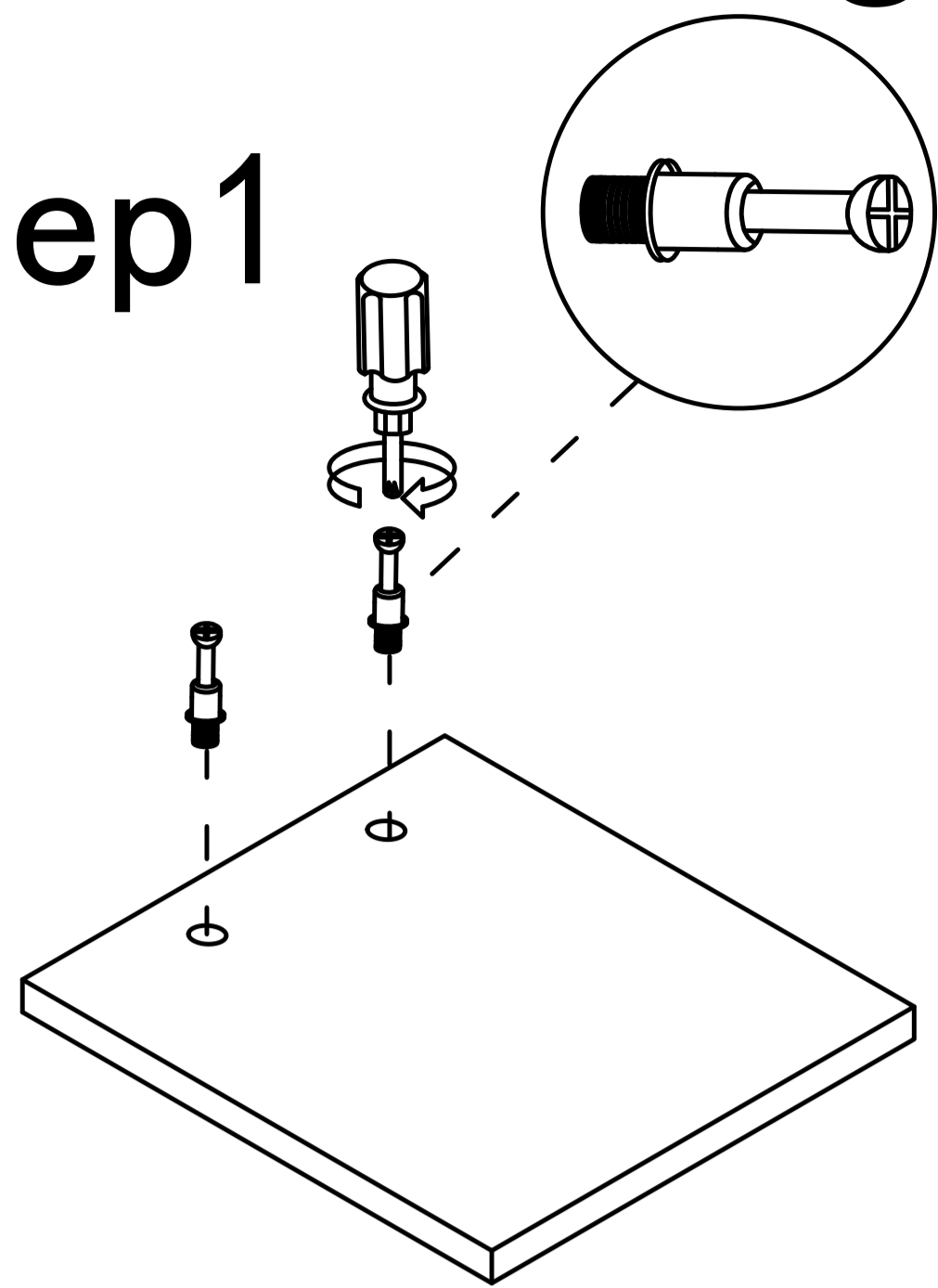
4pcs



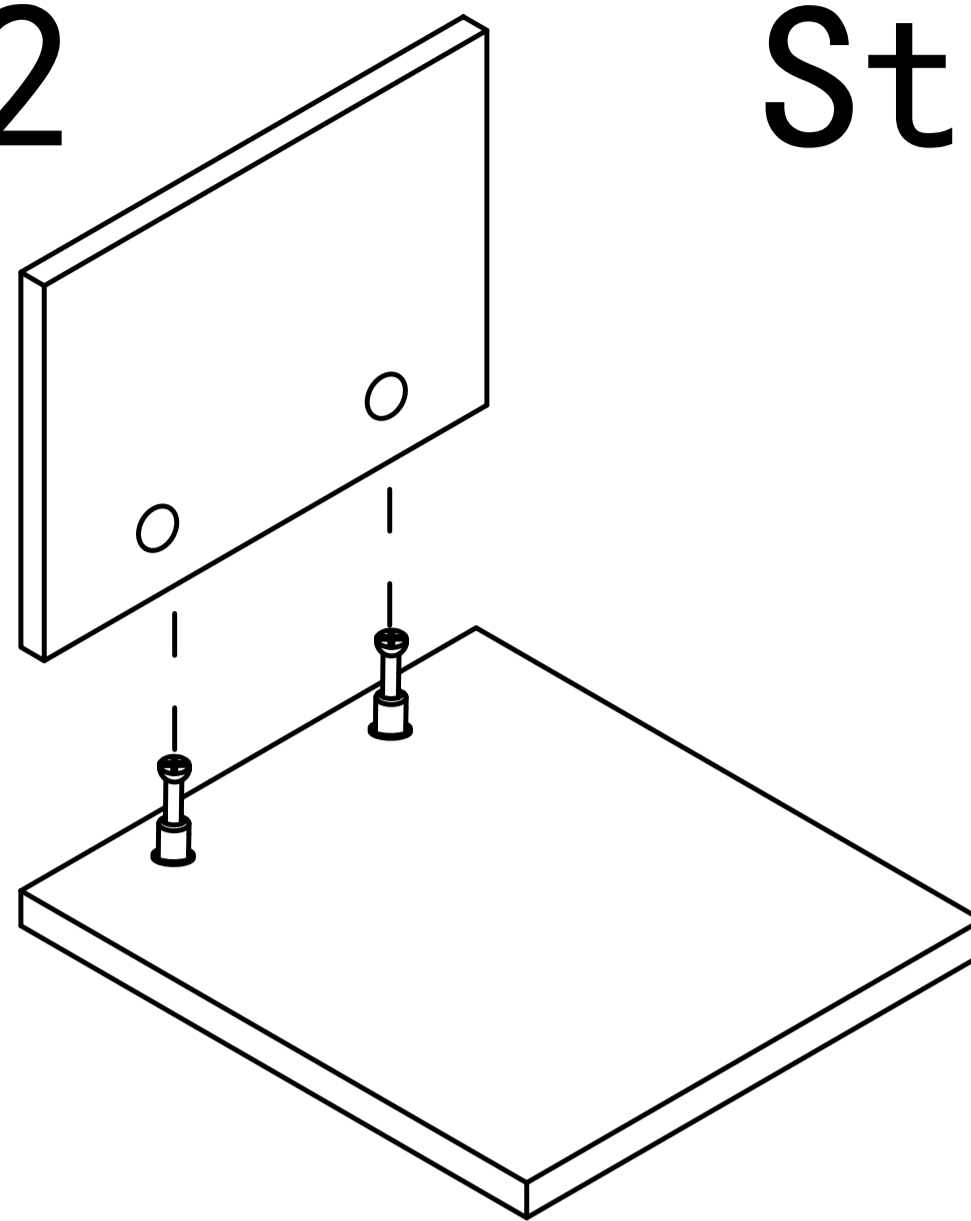
4

# Use parts ① and ②

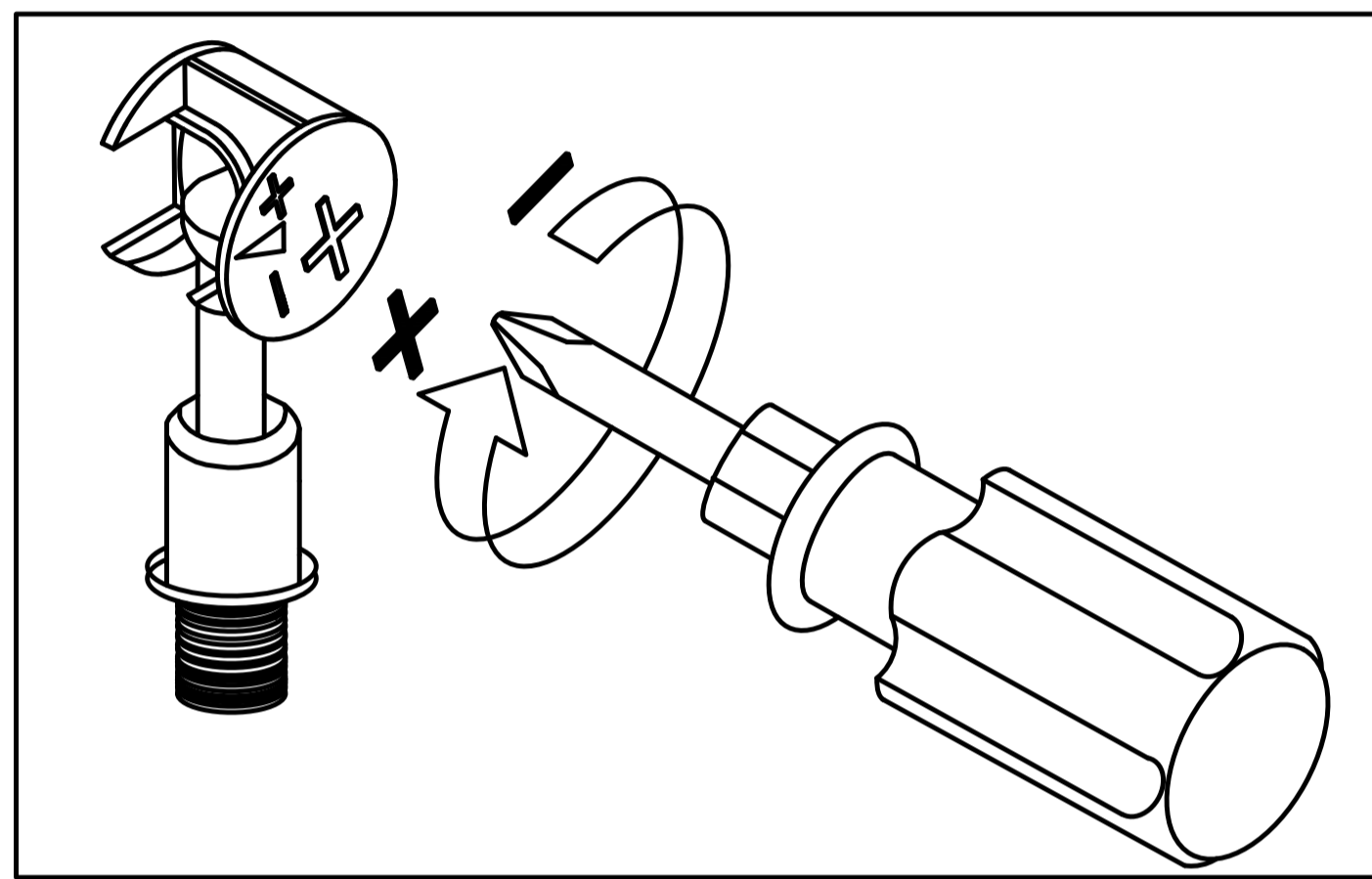
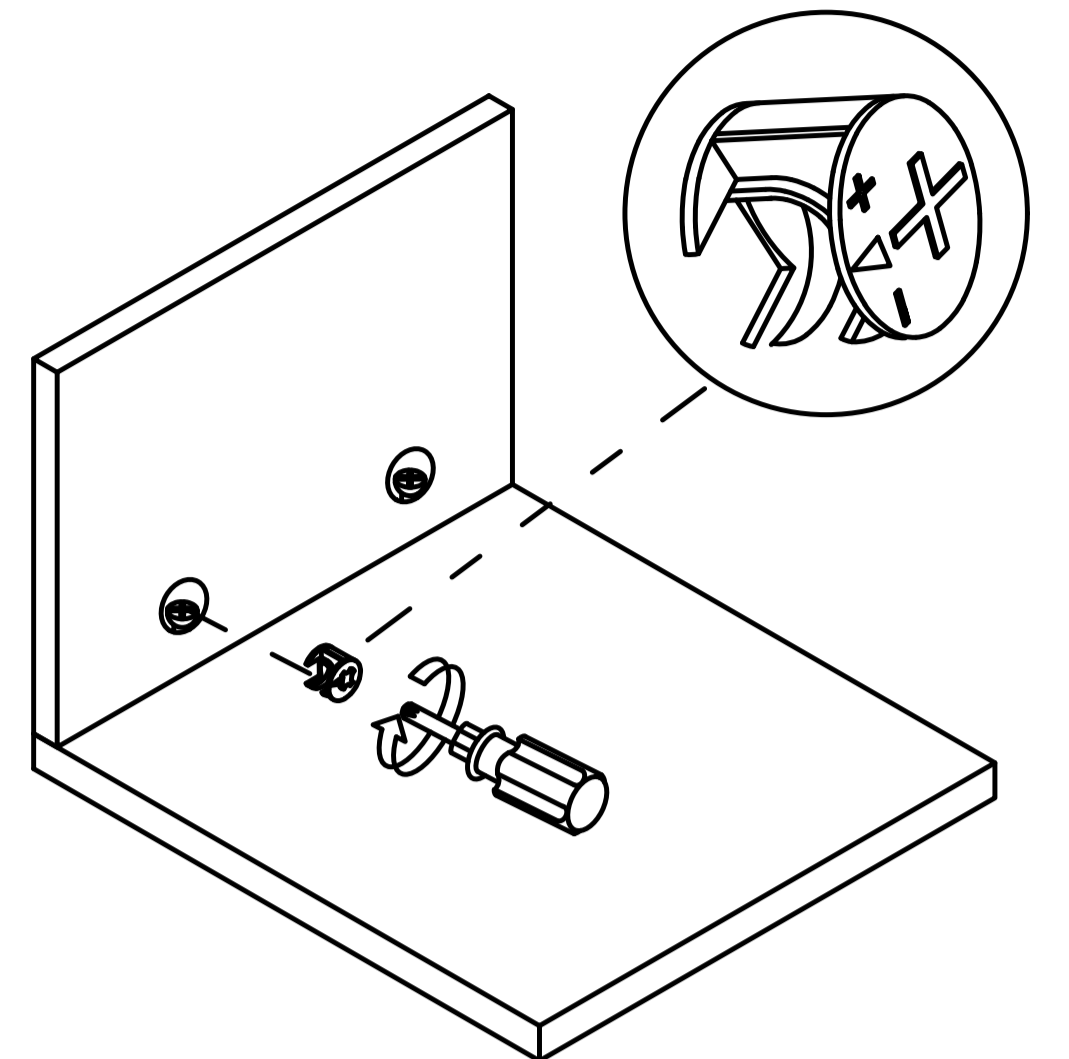
Step 1



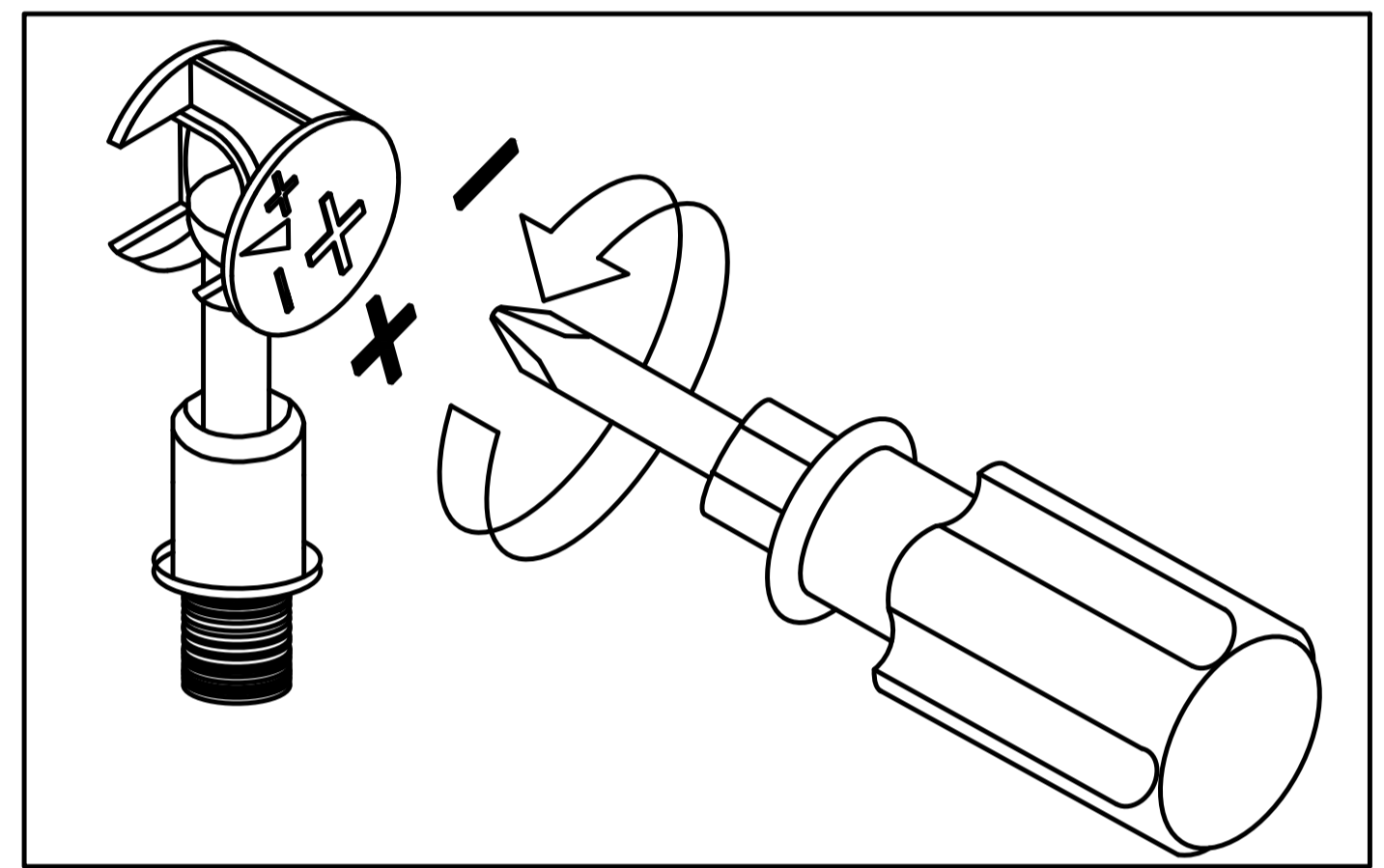
Step 2



Step 3

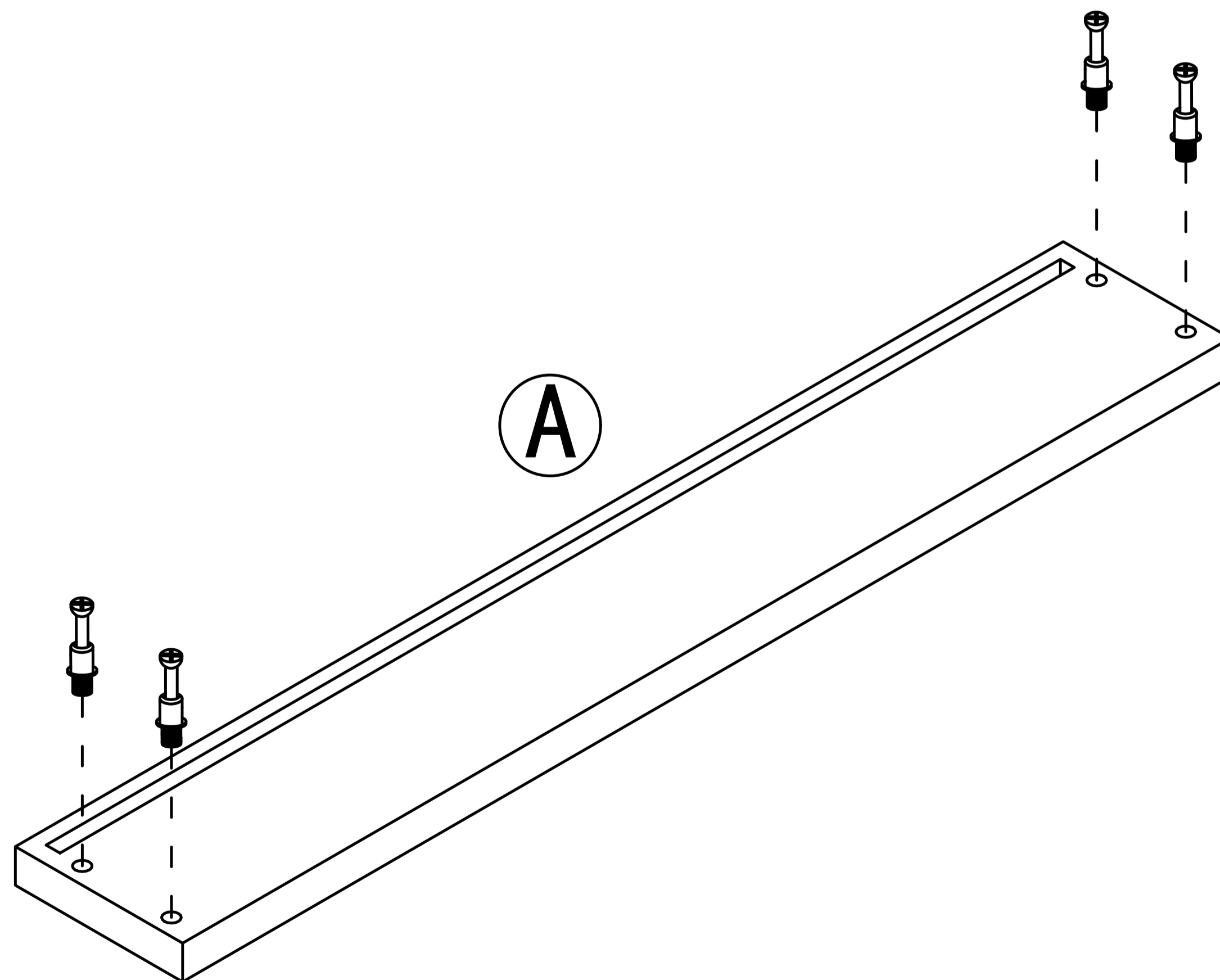
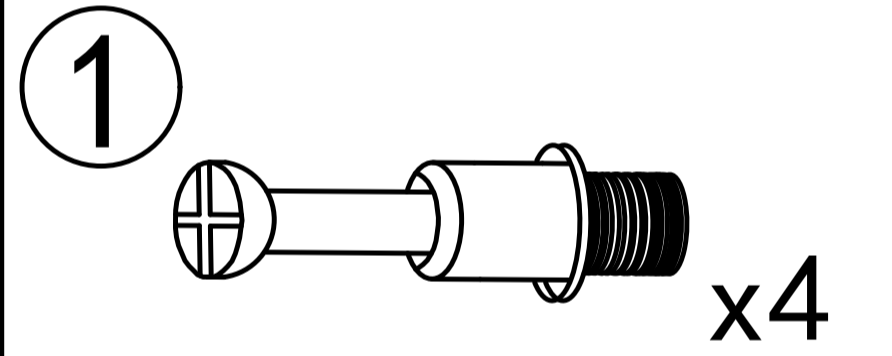


Use a screwdriver to lock in the direction of the "+" sign

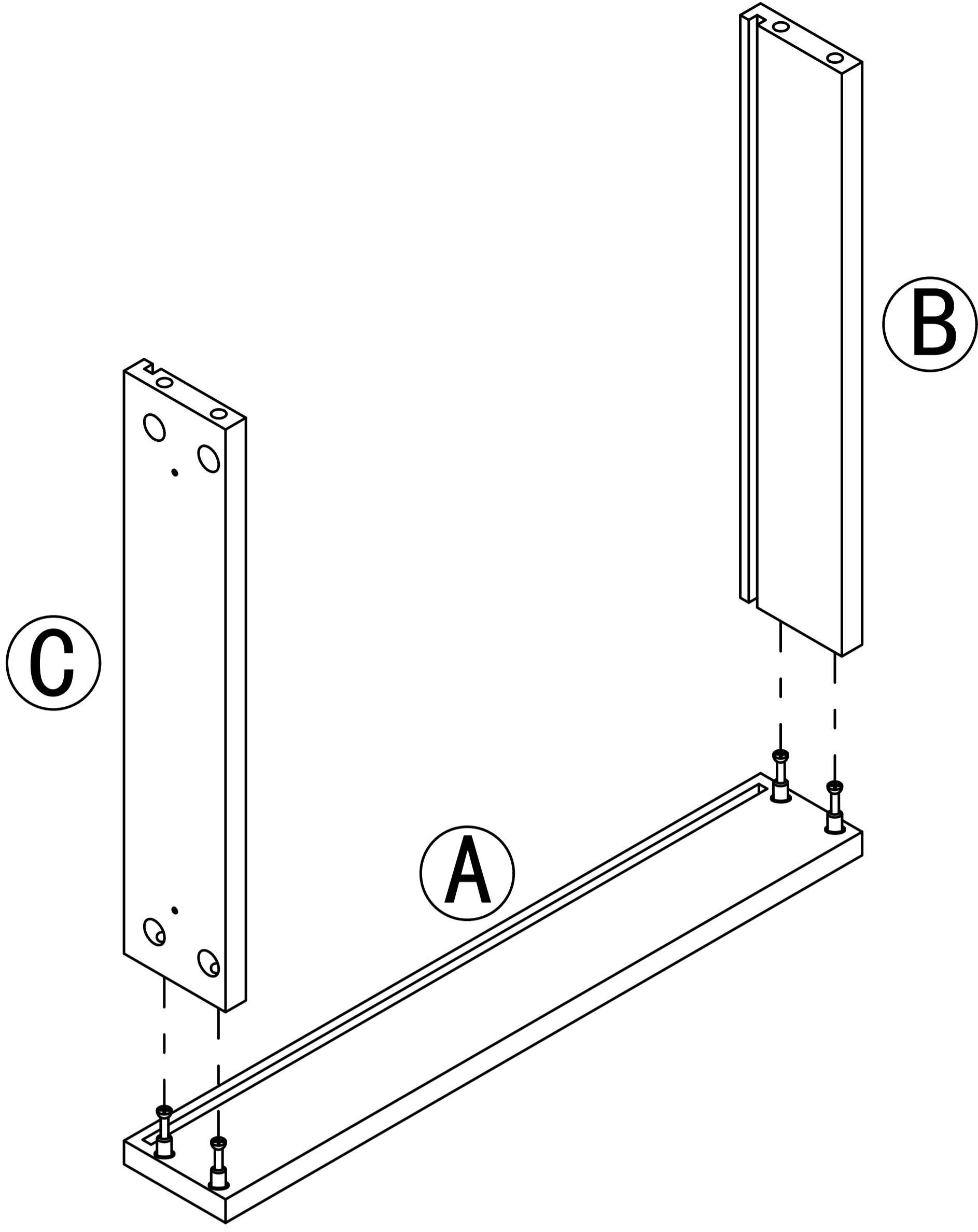


Disassemble along the direction of "-" sign

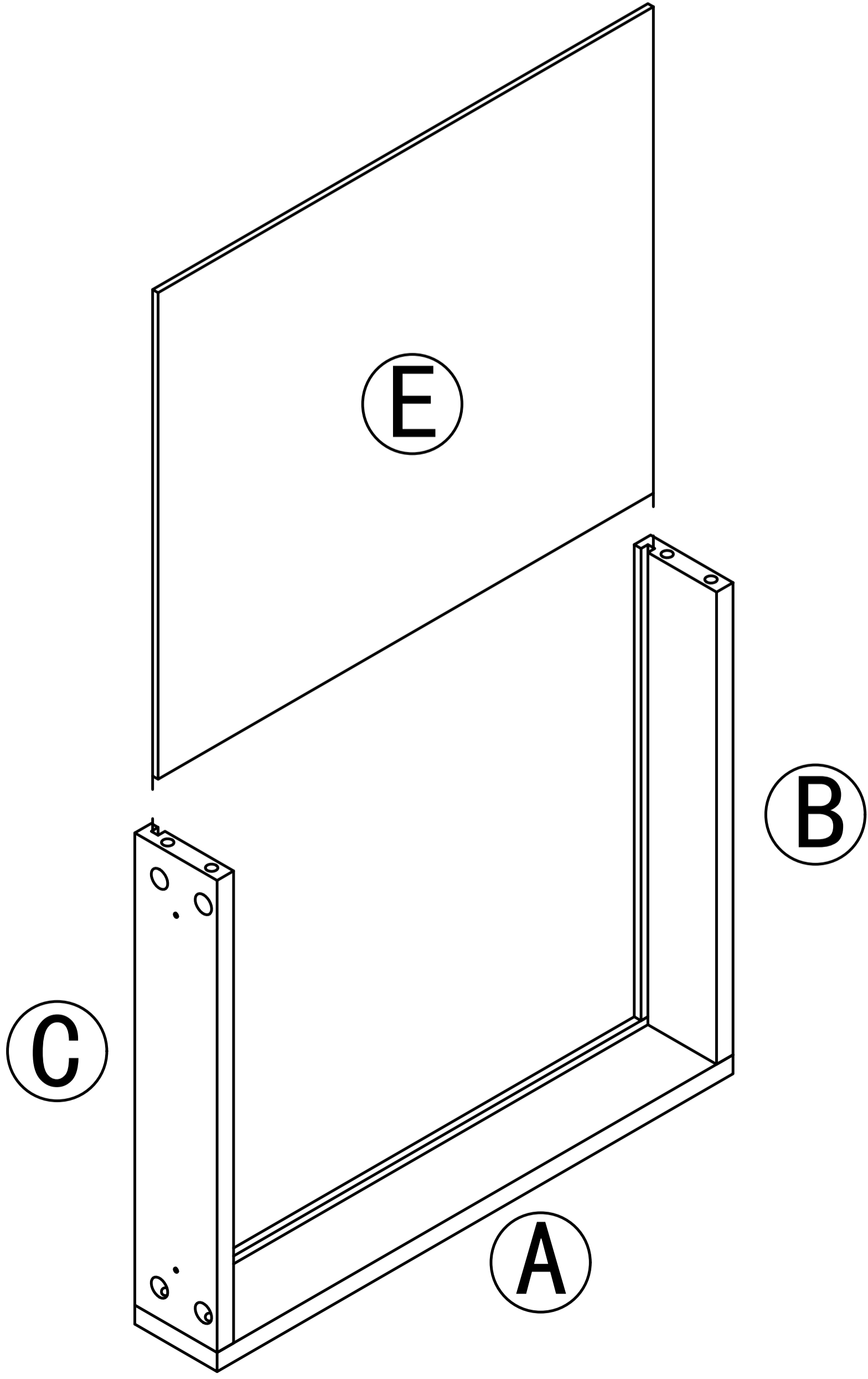
Step 1



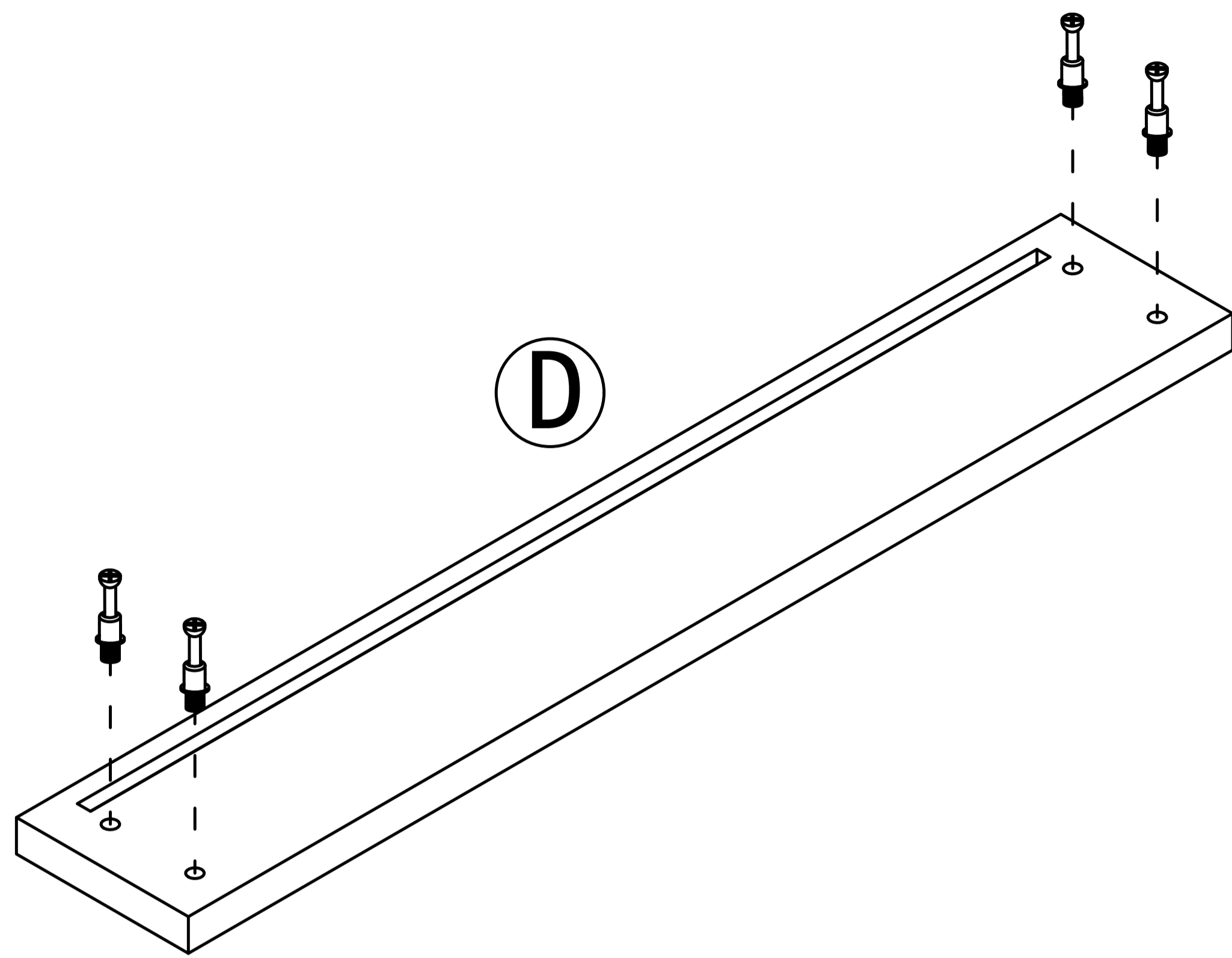
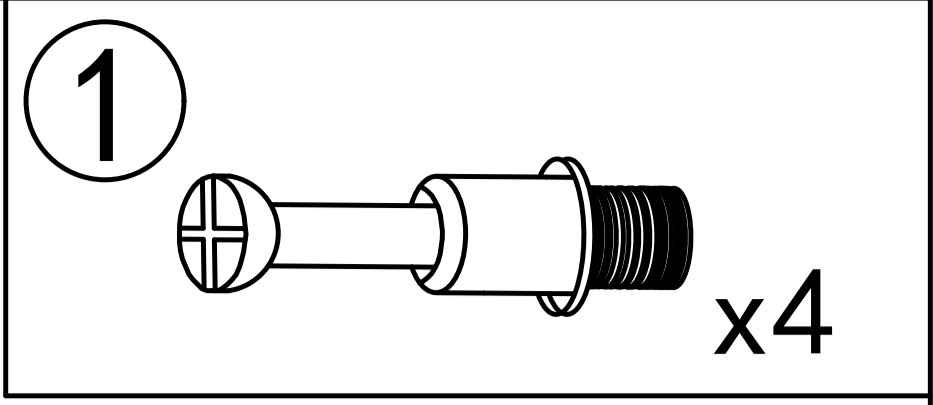
Step 2



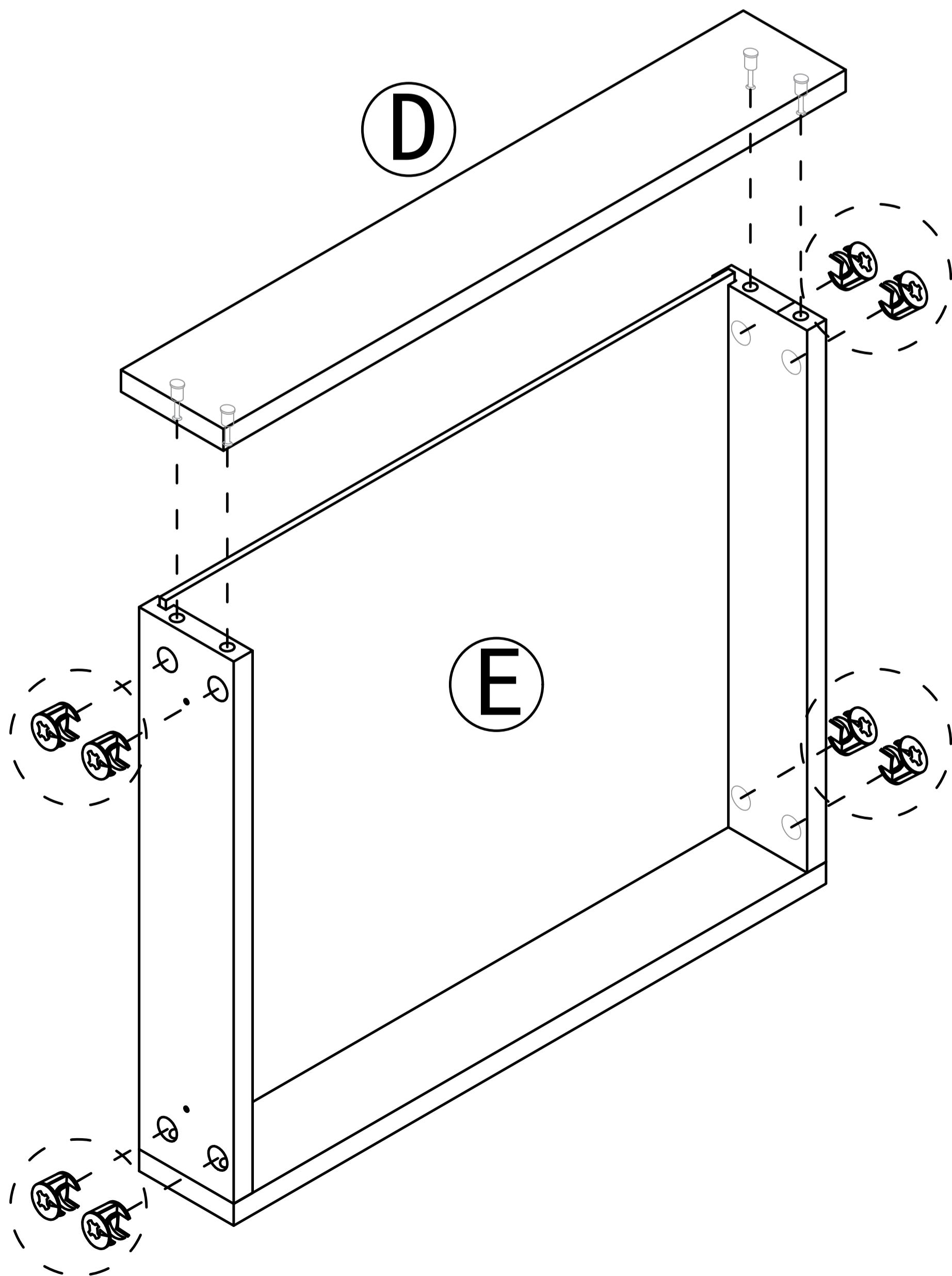
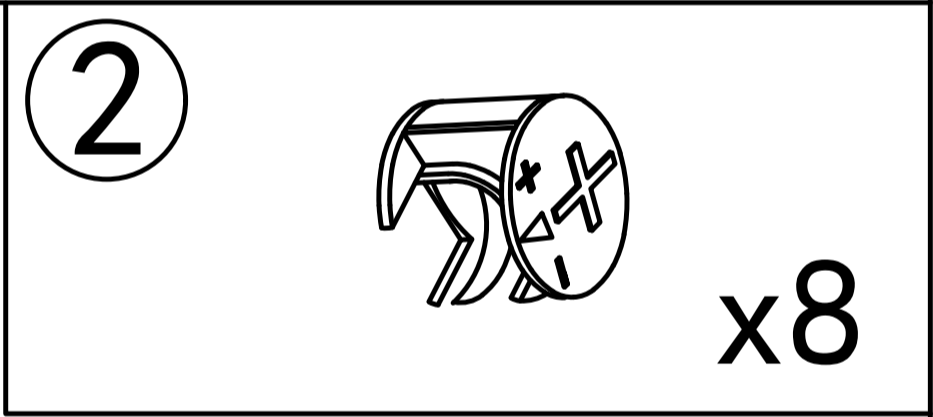
Step 3



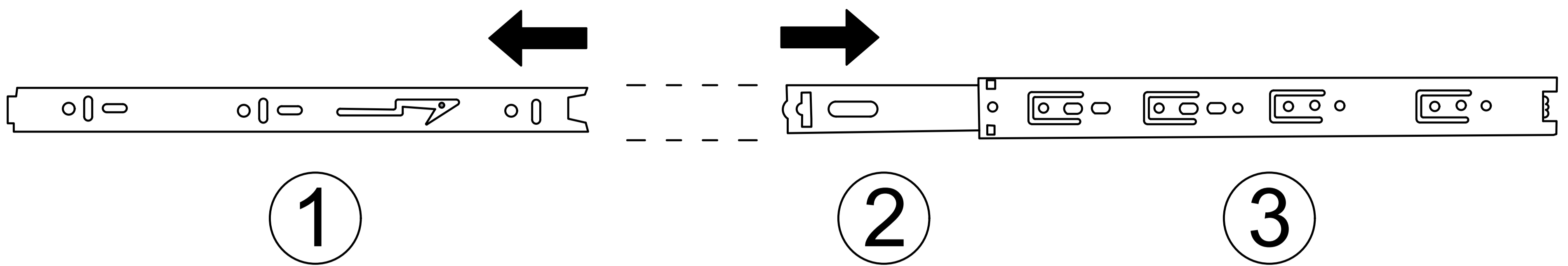
Step 4



Step 5

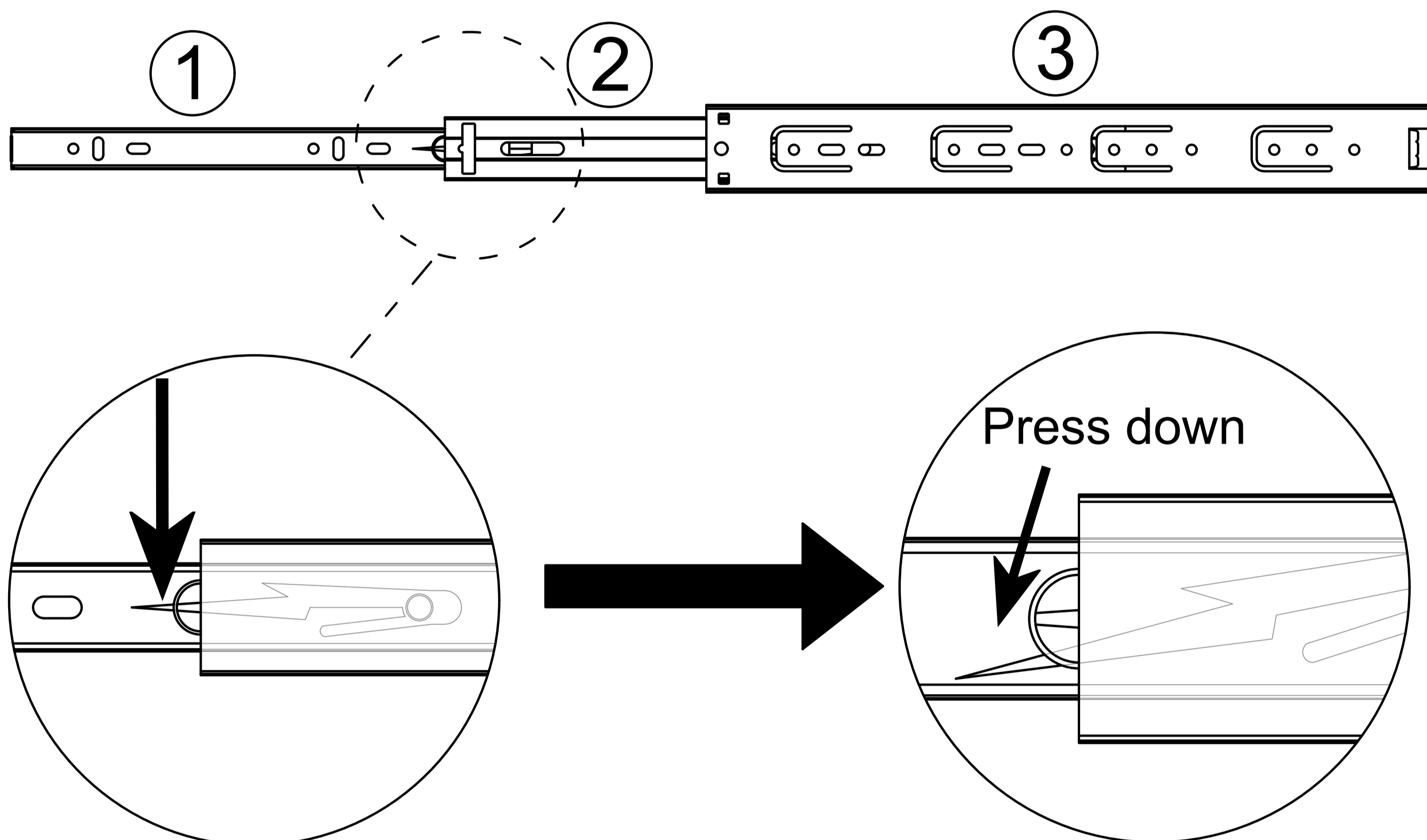


Drawer rail breakdown diagram



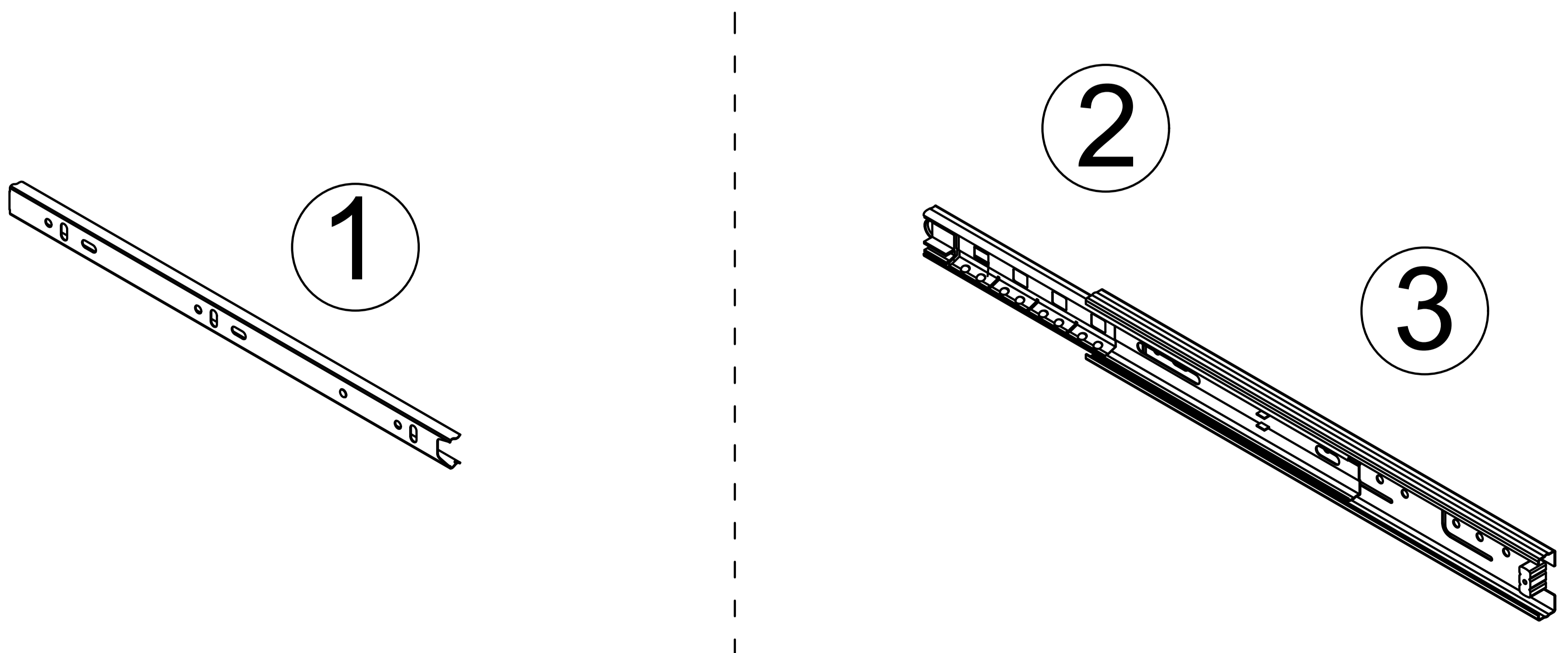
① Dismantle the schematic diagram

Step 1 : Pull the rails apart



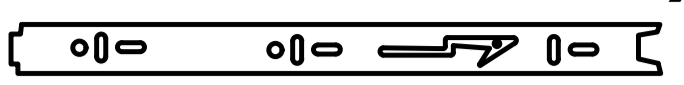
Step 2 : Press the nylon button and pull out ①.

Drawer rail decomposition completed schematic diagram

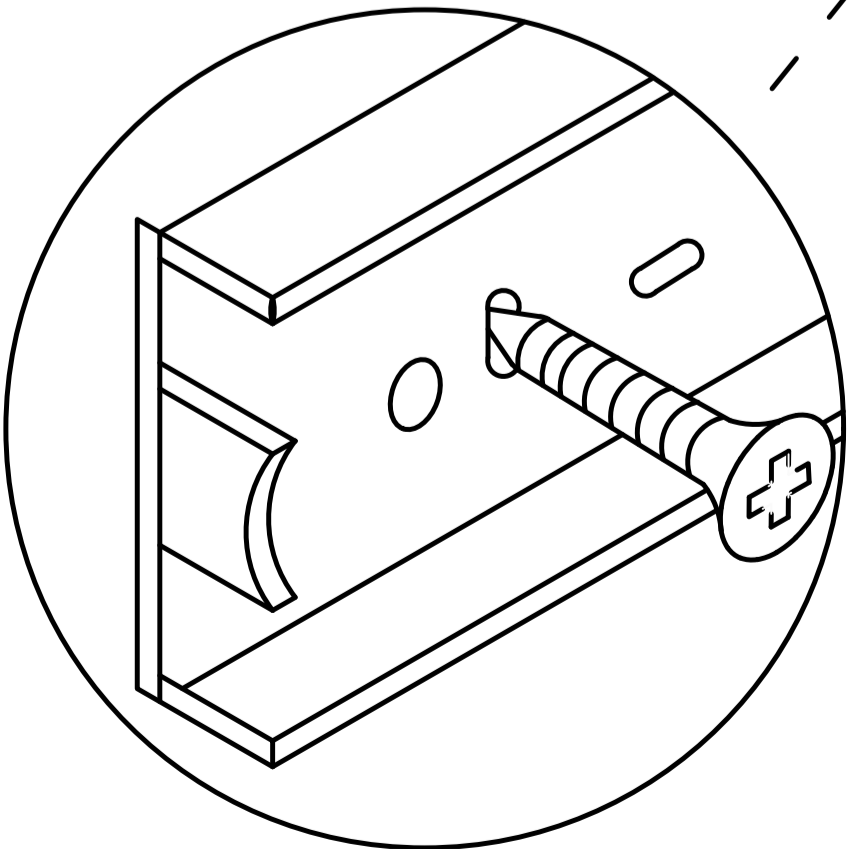
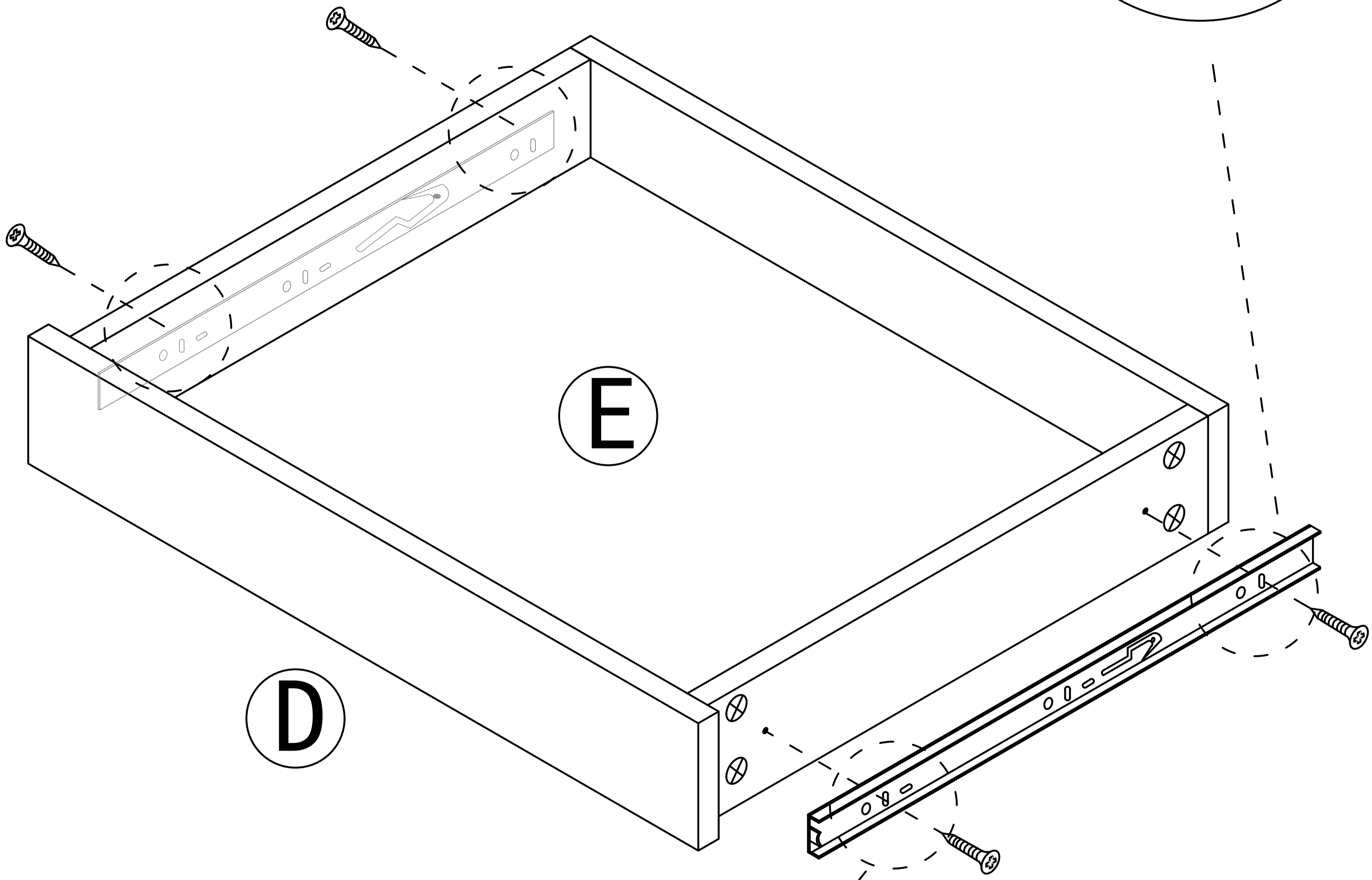
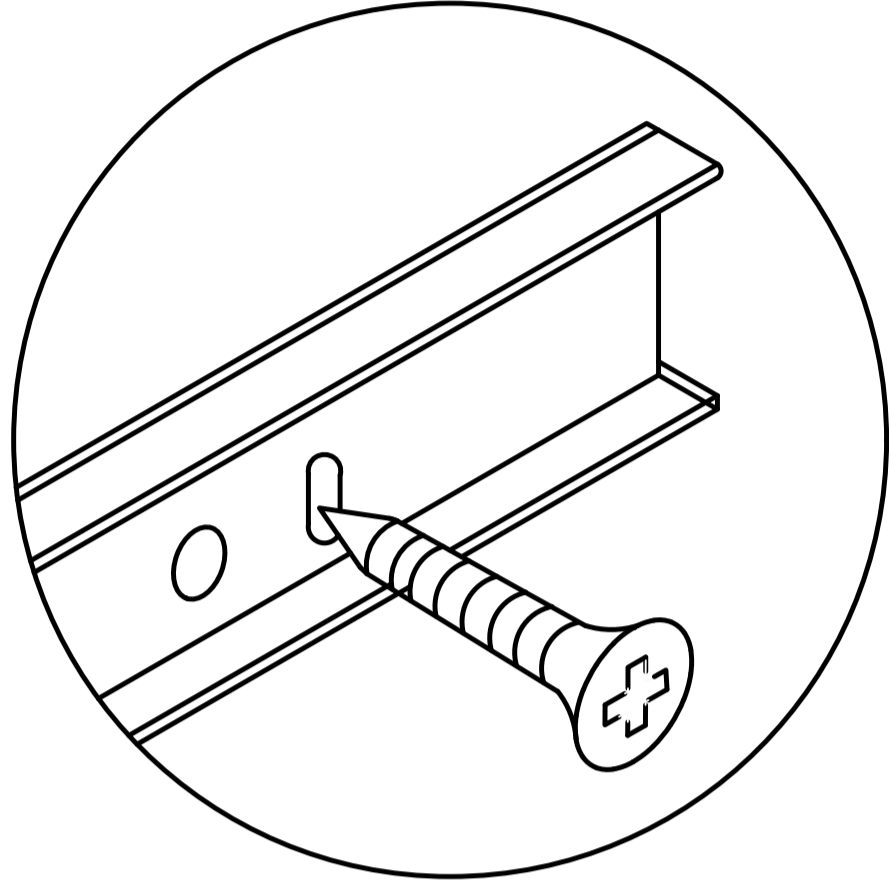
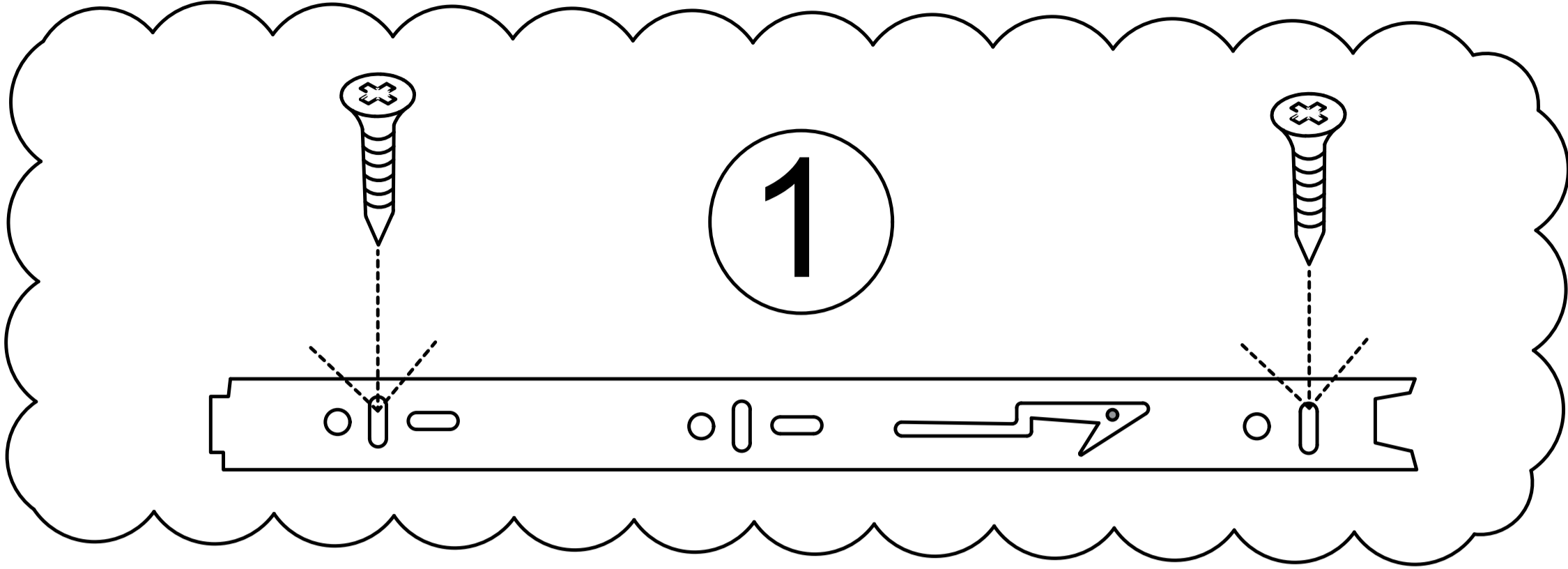
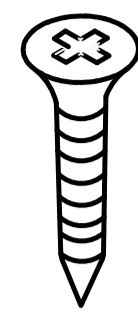


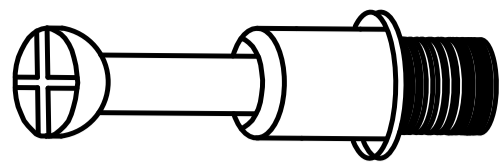
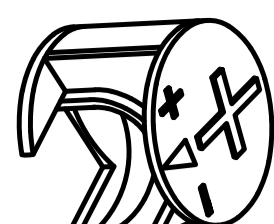

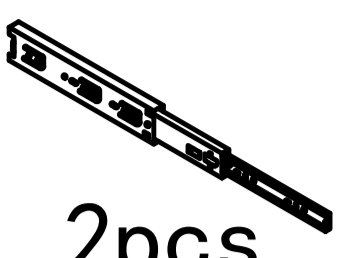
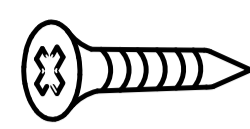

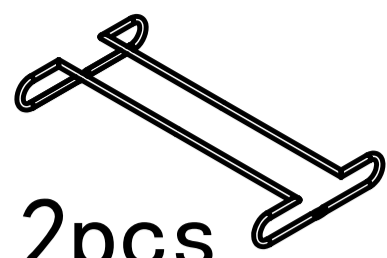
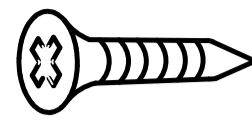
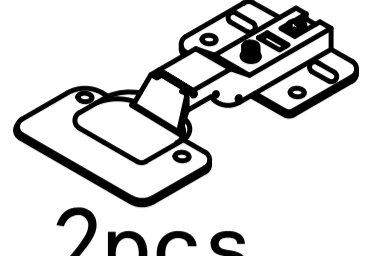
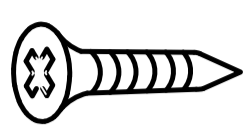
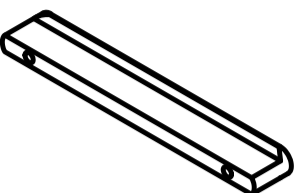

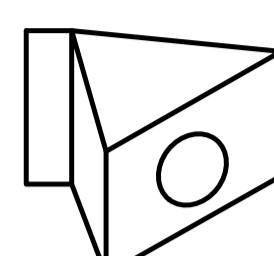
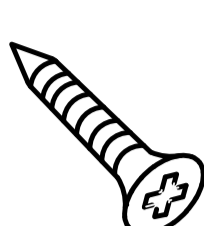
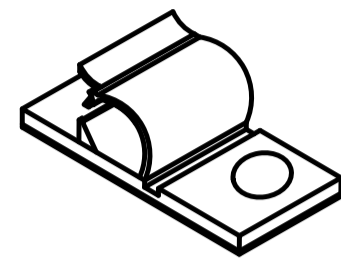
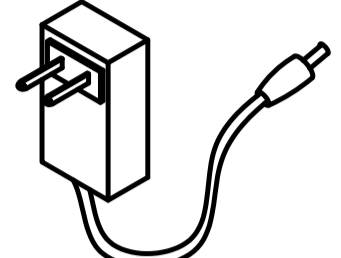
Step 6

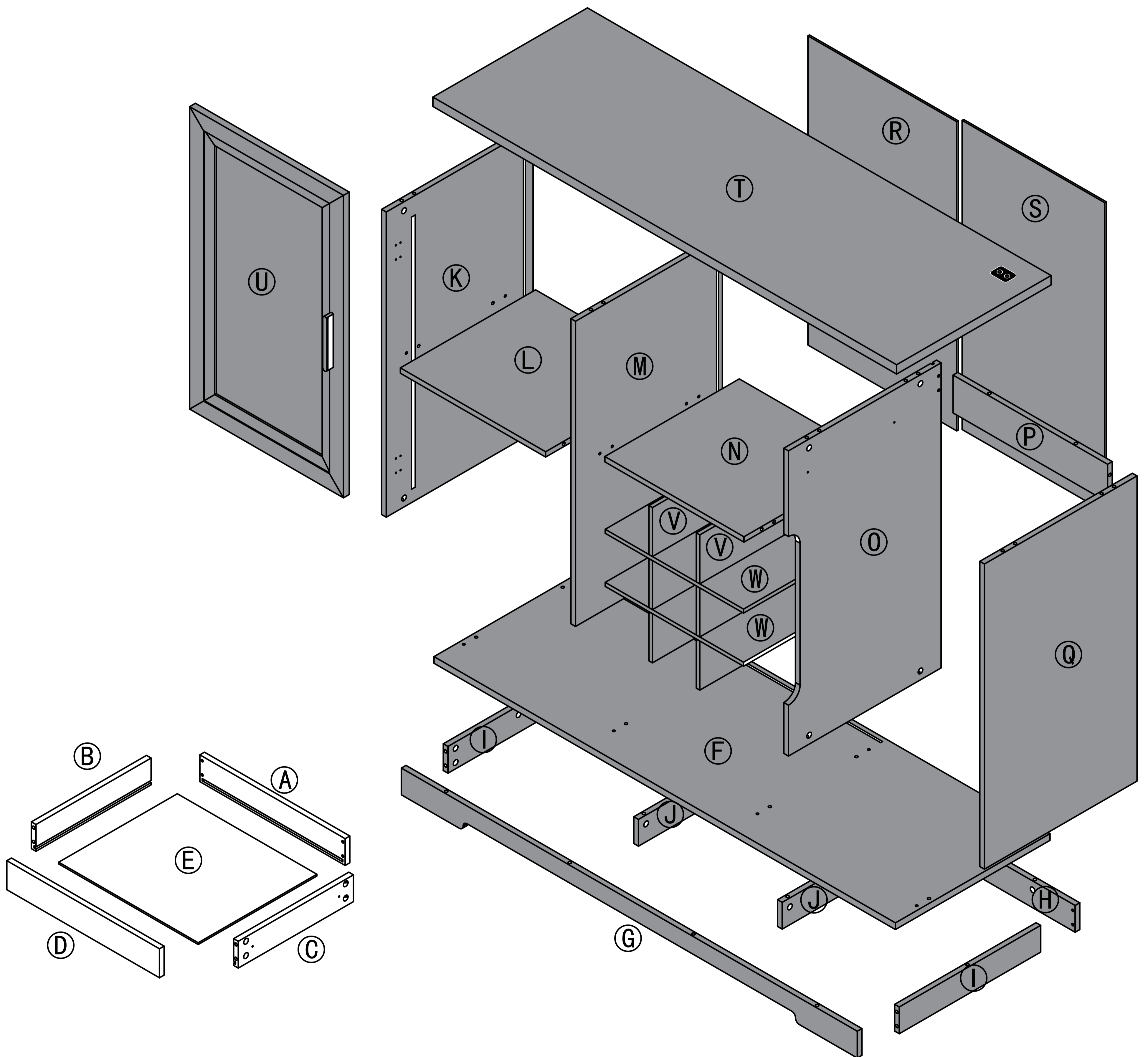
4 x2



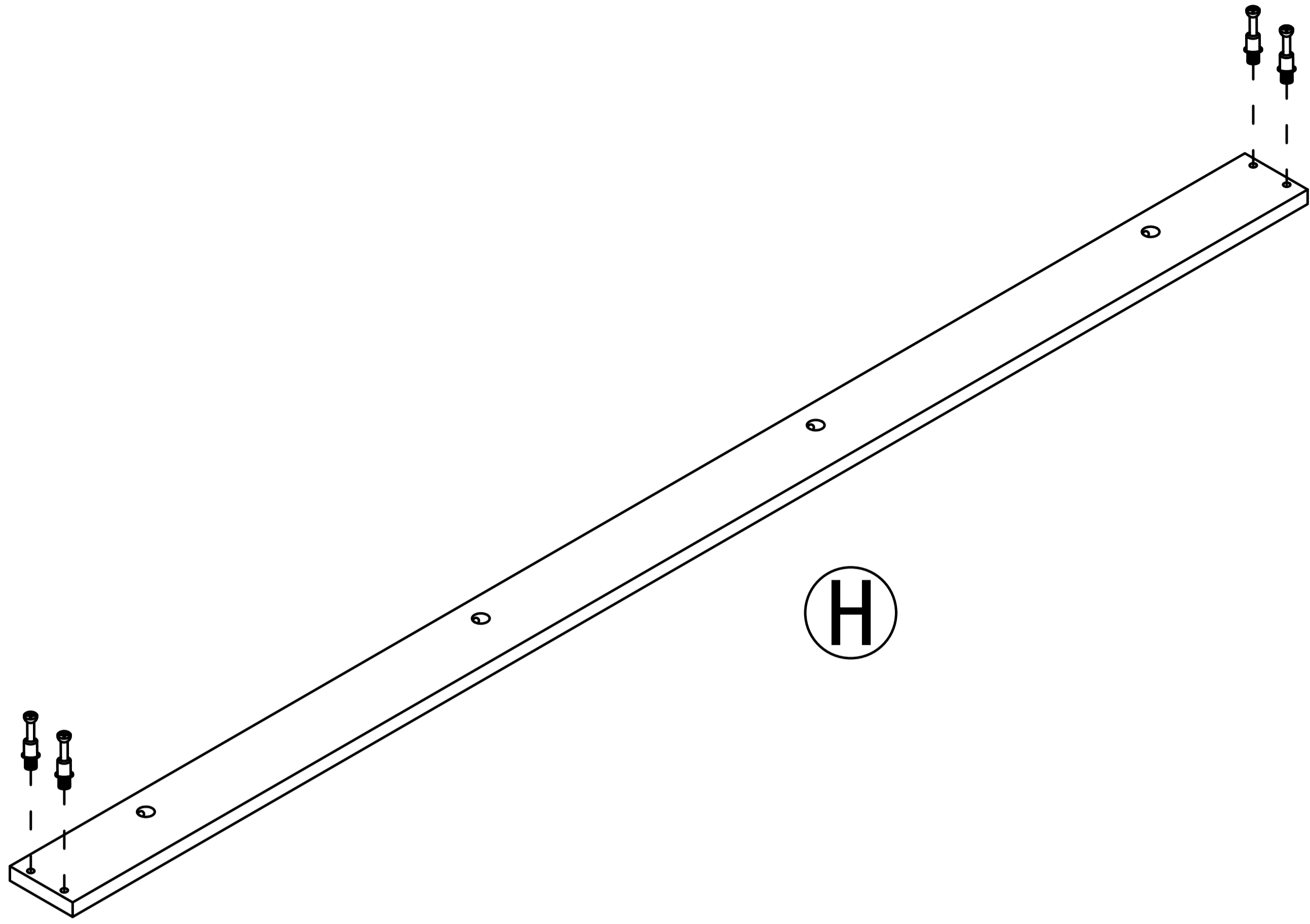
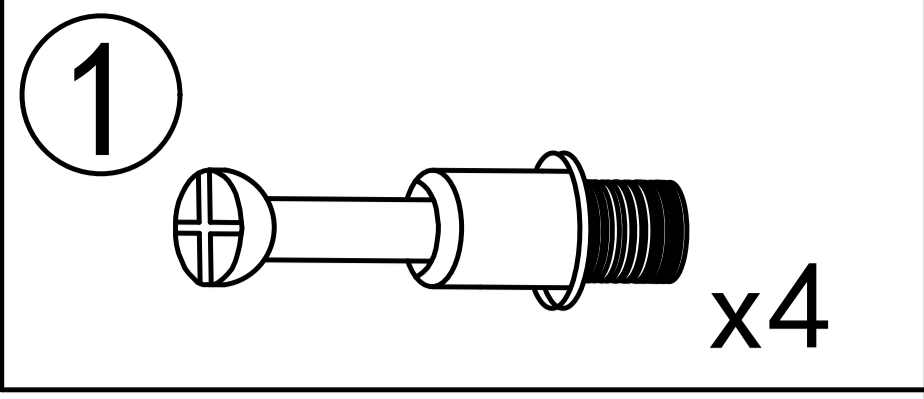
x4



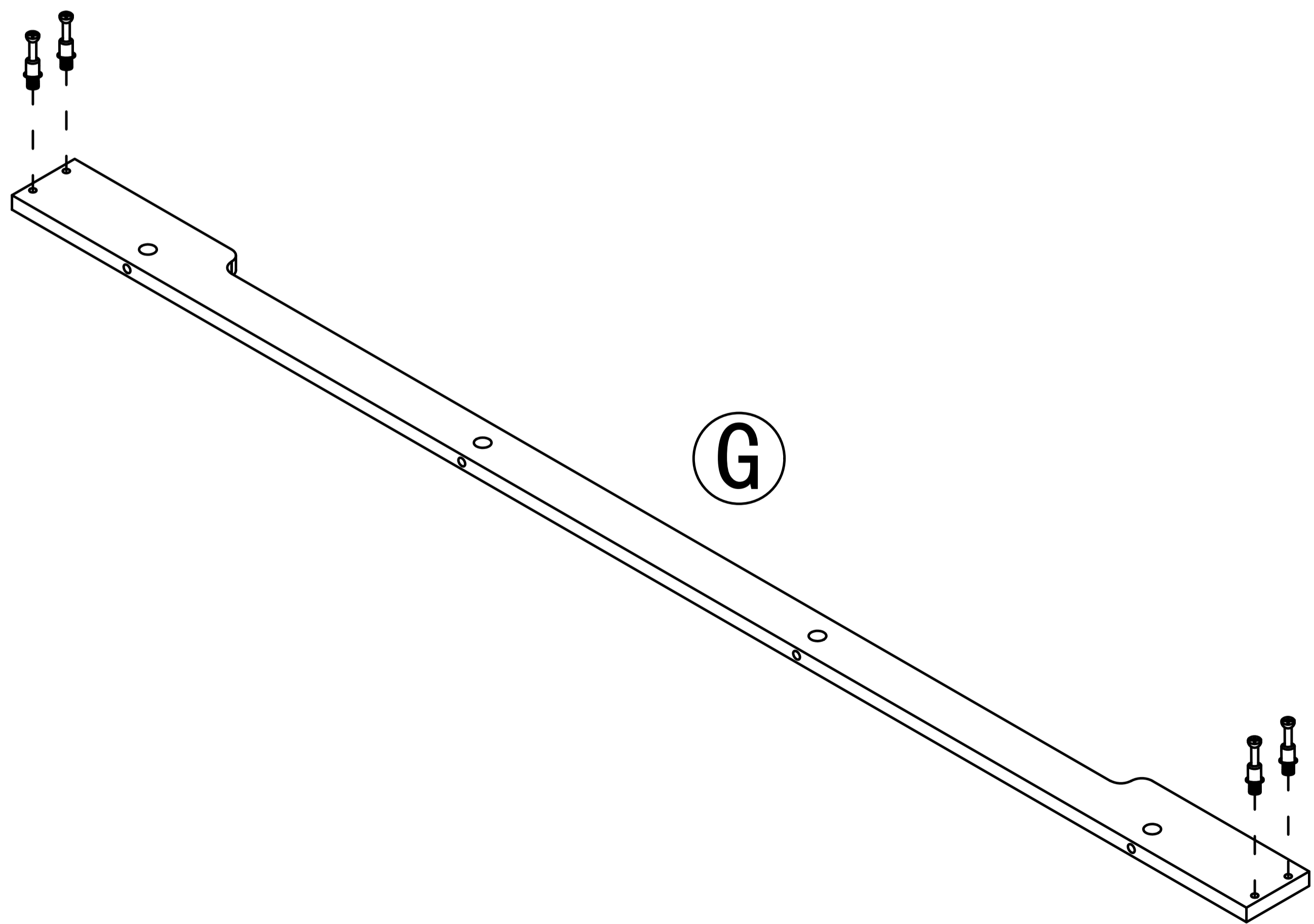
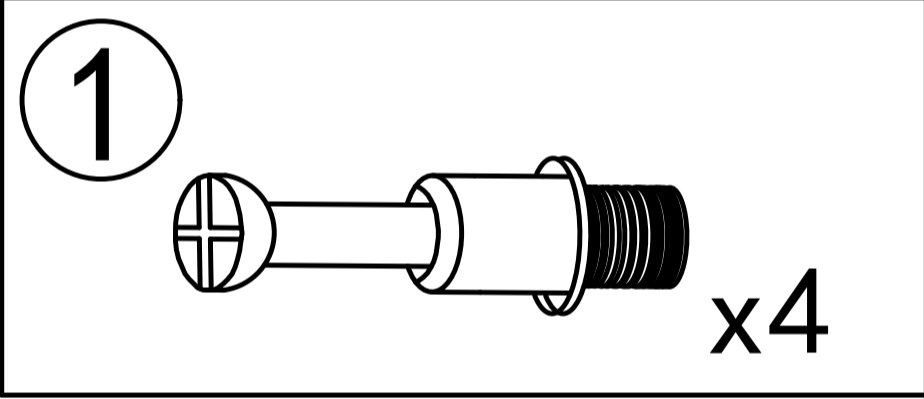
|   |   |  |   |  |   |   |   |   |
|---|---|--|---|--|---|---|---|---|
| ① |          | 52pcs  | ② |           | 52pcs   | ③ |          | 24pcs   |
| ④ | <br>2pcs | <br>6pcs  | ⑤ |          | 8pcs  | ⑥ | <br>2pcs | <br>4pcs |
| ⑦ | <br>2pcs | <br>12pcs | ⑧ | <br>1pcs | <br>2pcs | ⑨ | <br>8pcs | <br>8pcs |
| ⑩ | <br>2pcs |  |   | <br>1pcs |   |   |   |   |



Step 7

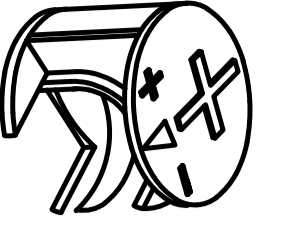


Step 8

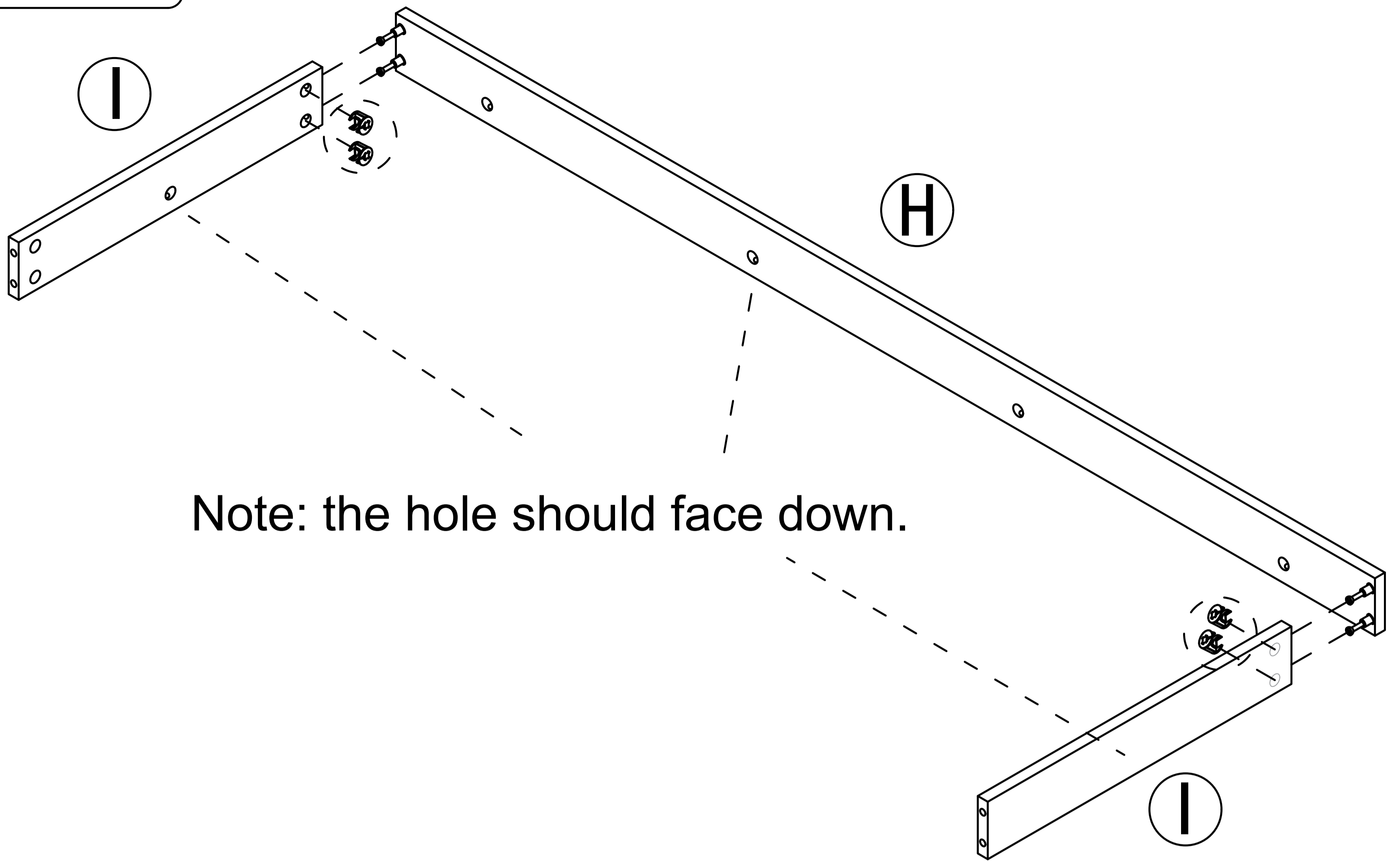


# Step 9

2



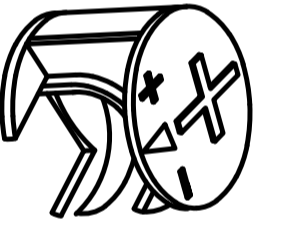
x4



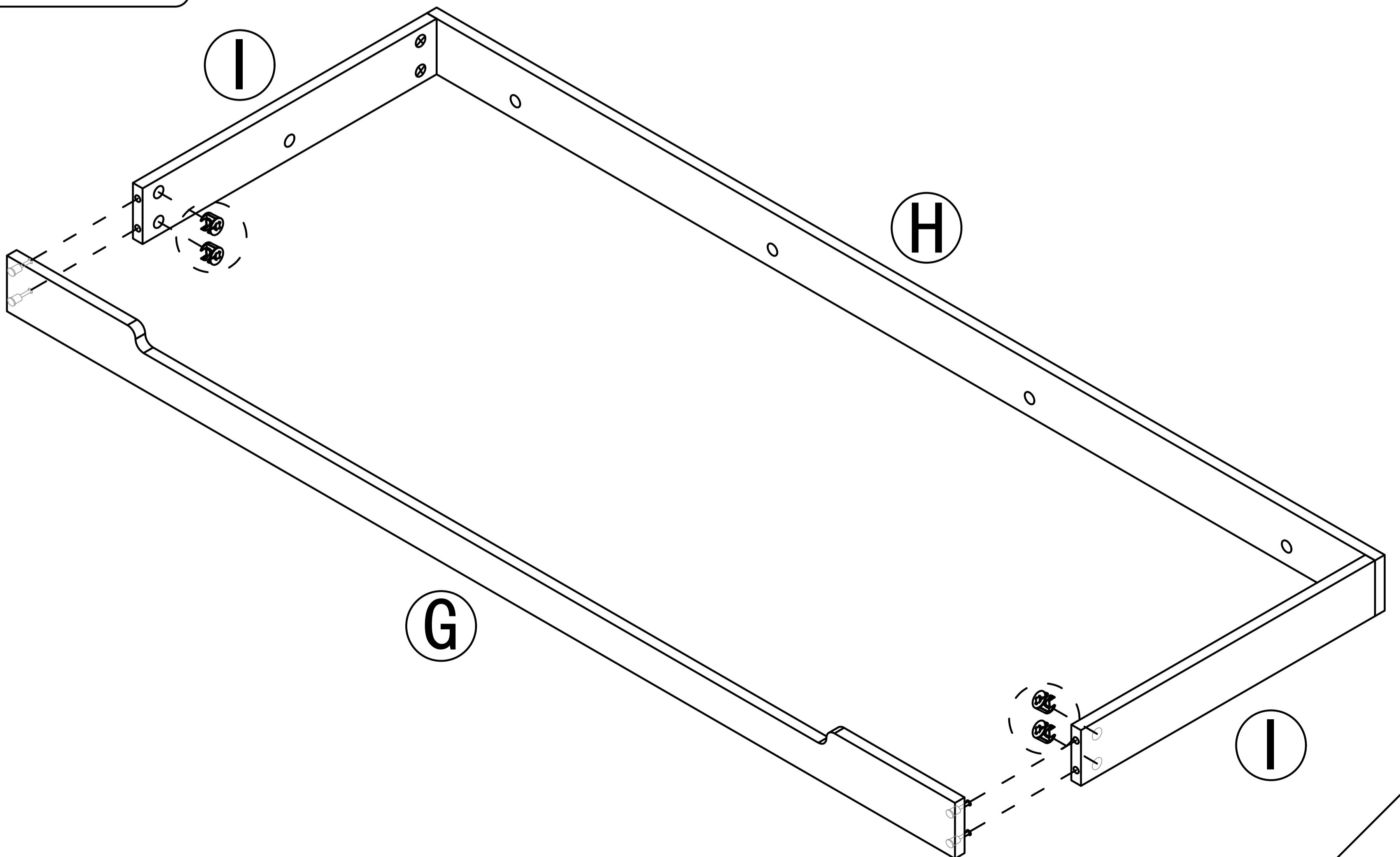
Note: the hole should face down.

# Step 10

2

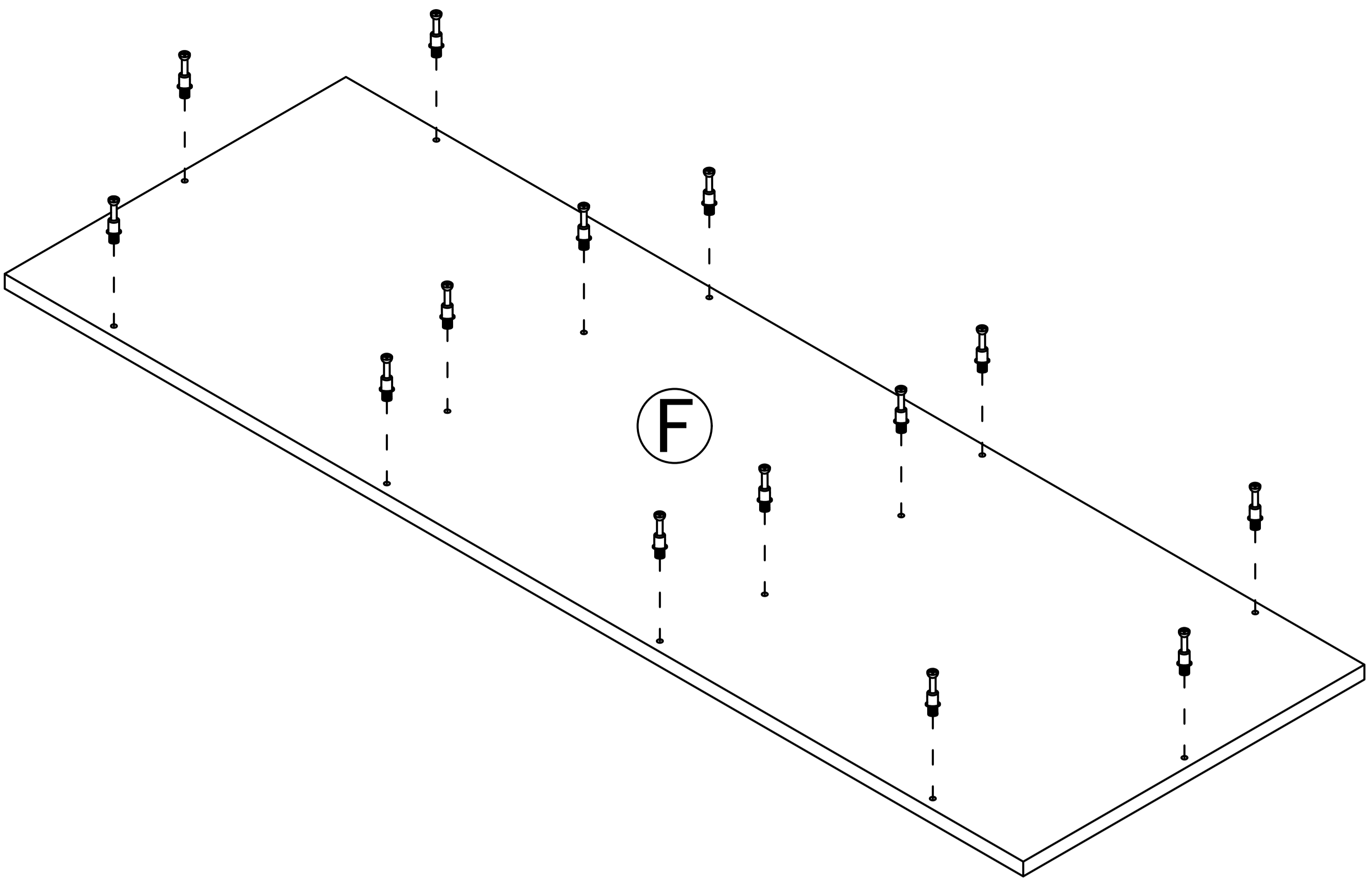
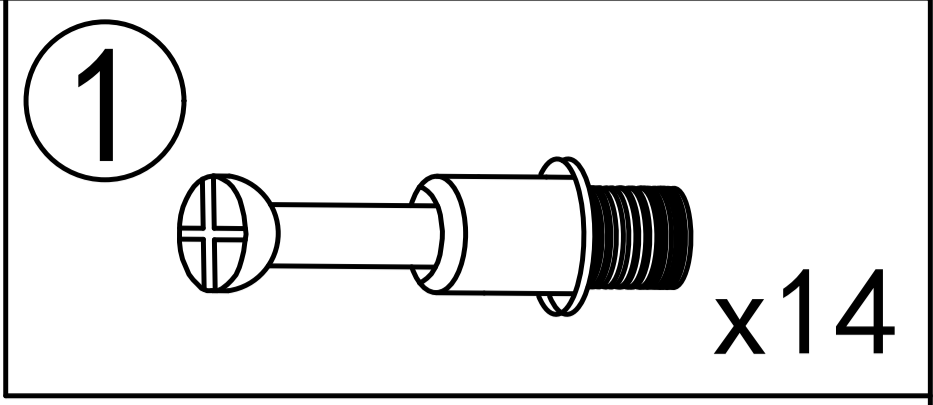


x4

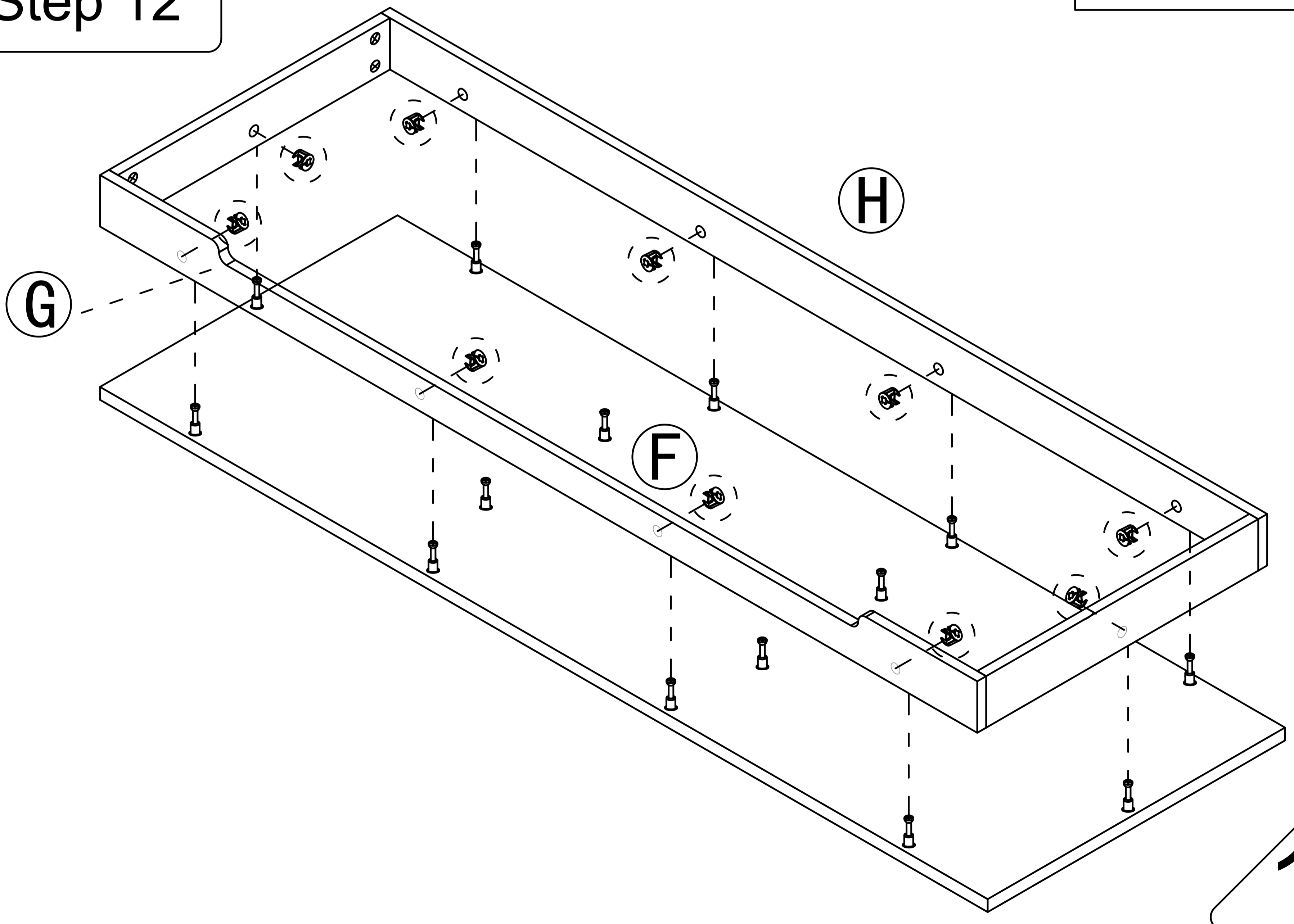
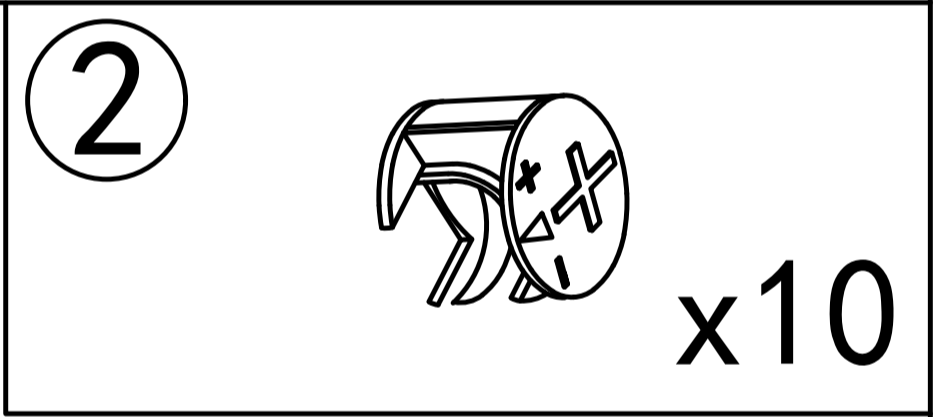


11

Step 11

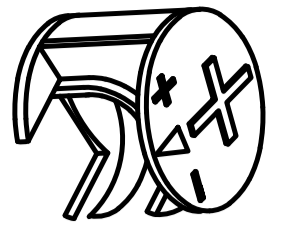


Step 12

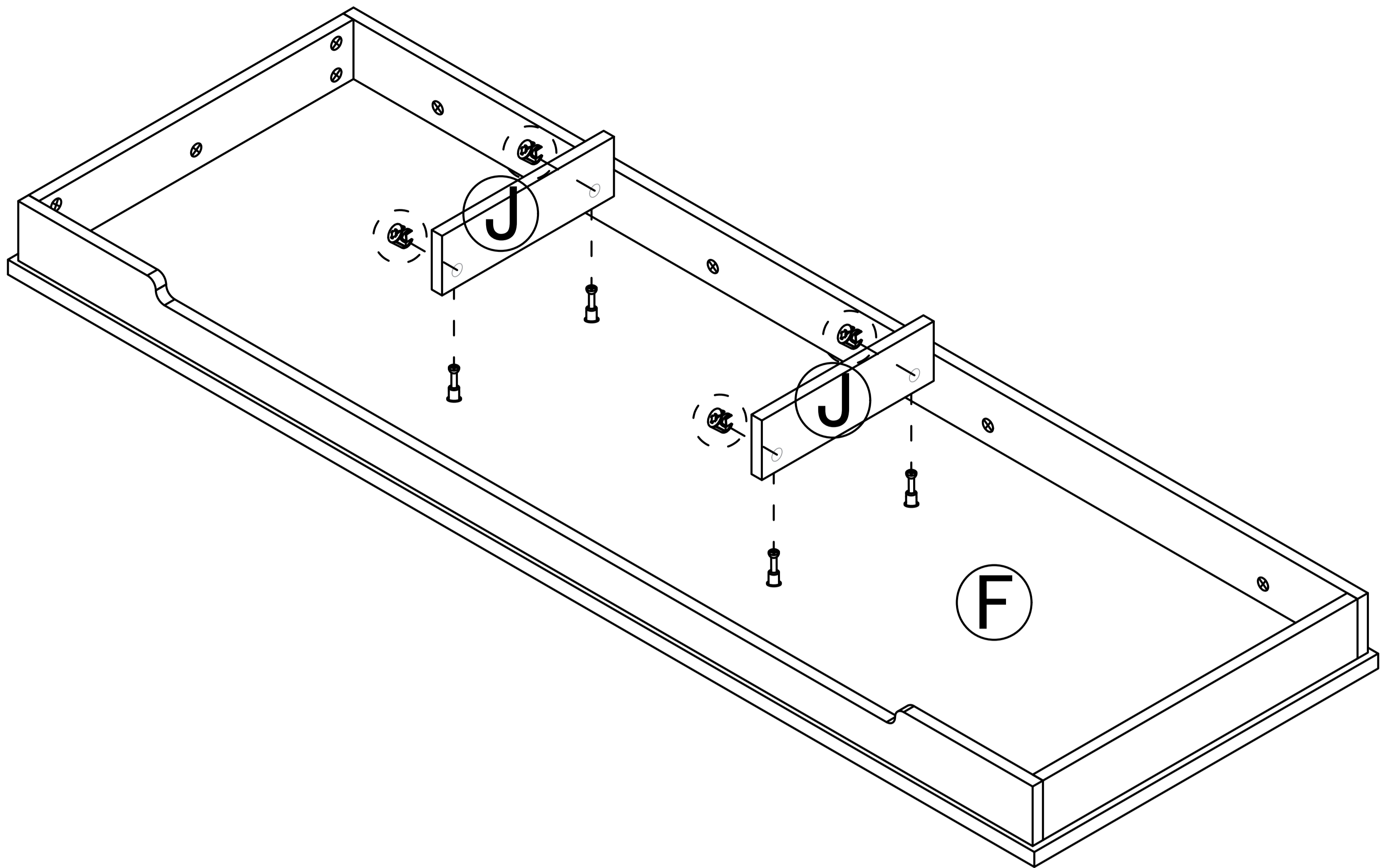


# Step 13

2

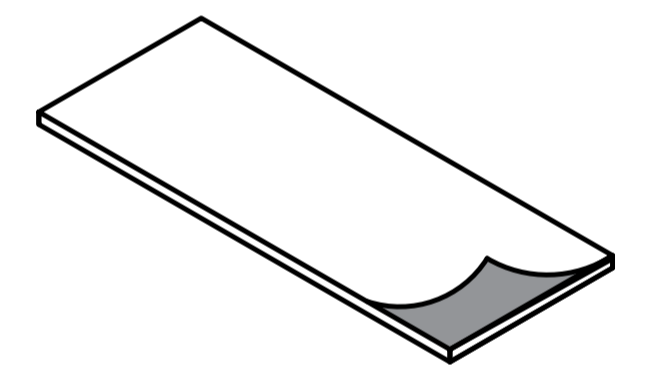


x4



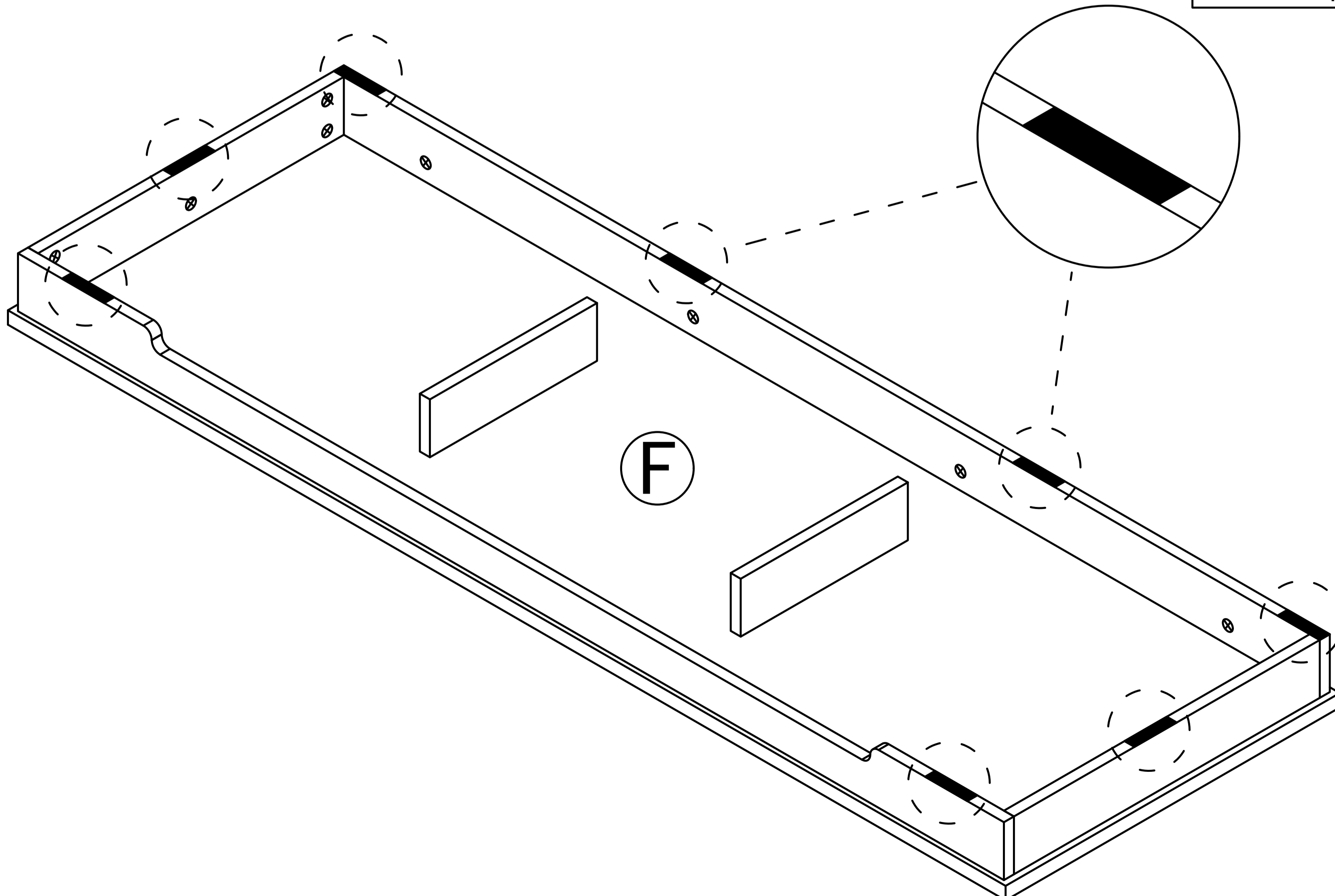
# Step 14

5

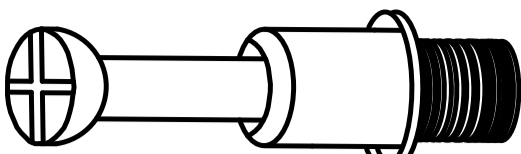



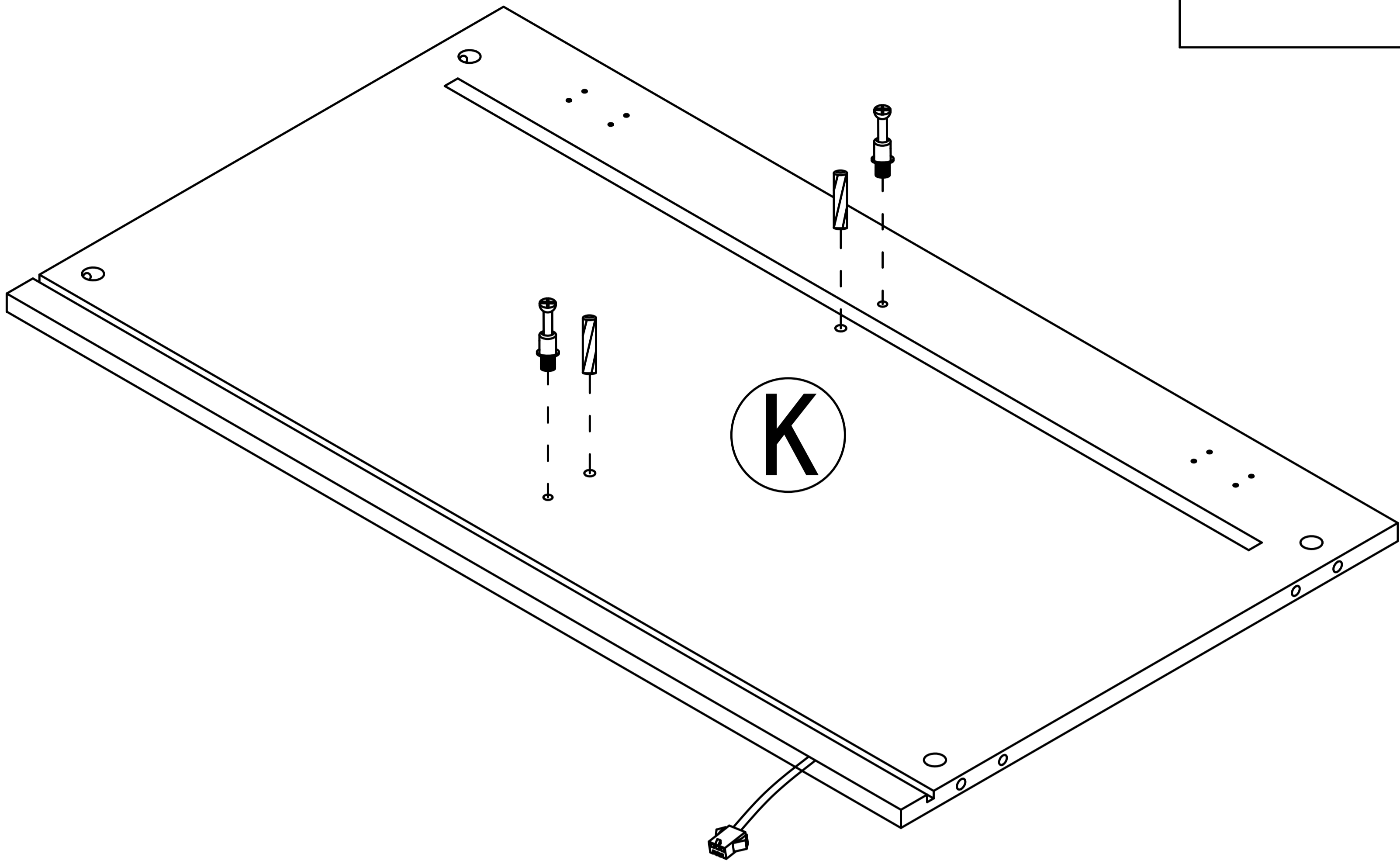
x8

Tear off release paper and stick the black foot pad on the board

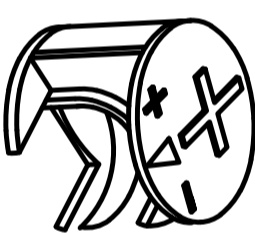



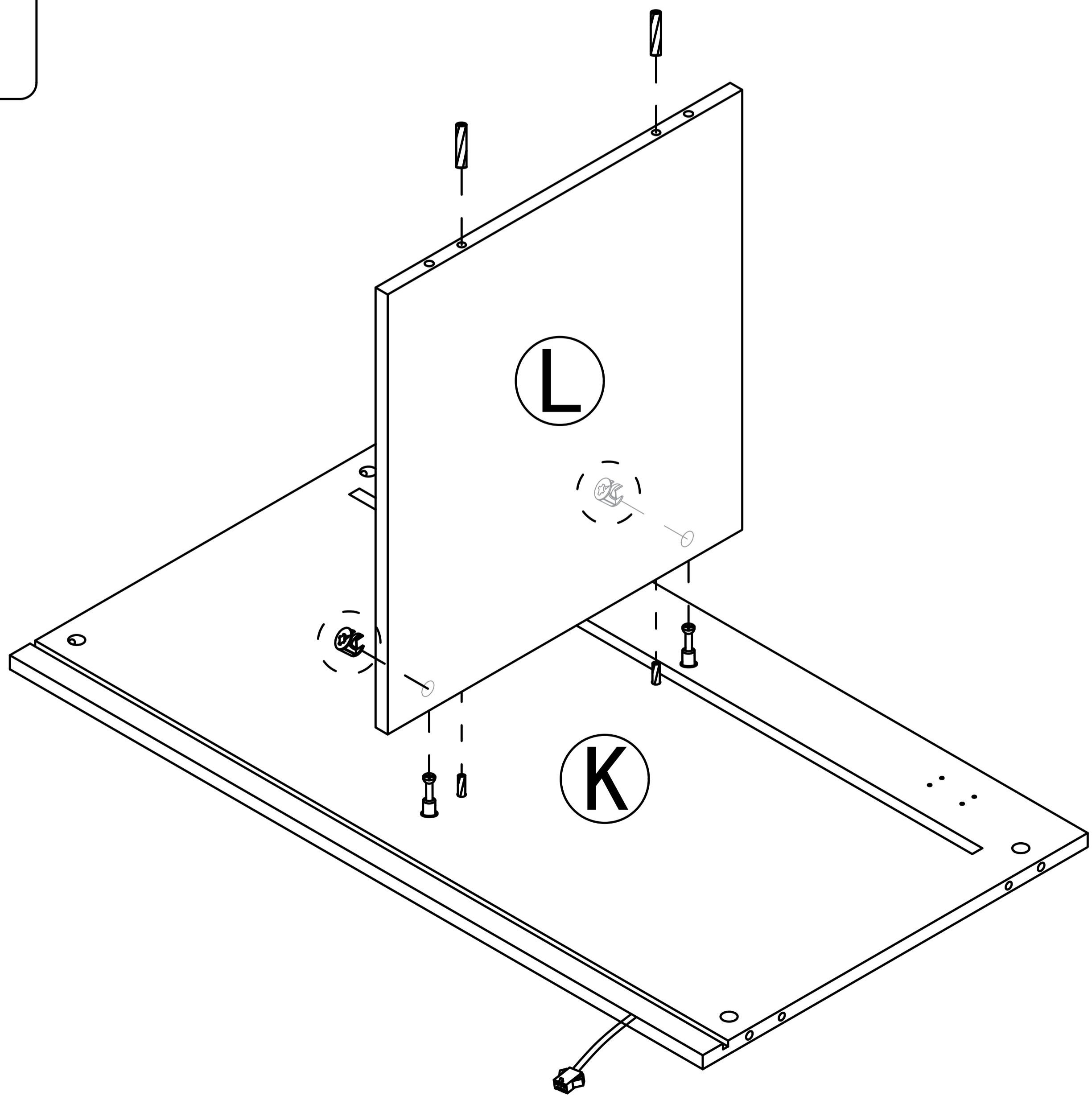
Step 15

- ①  x2
- ③  x2

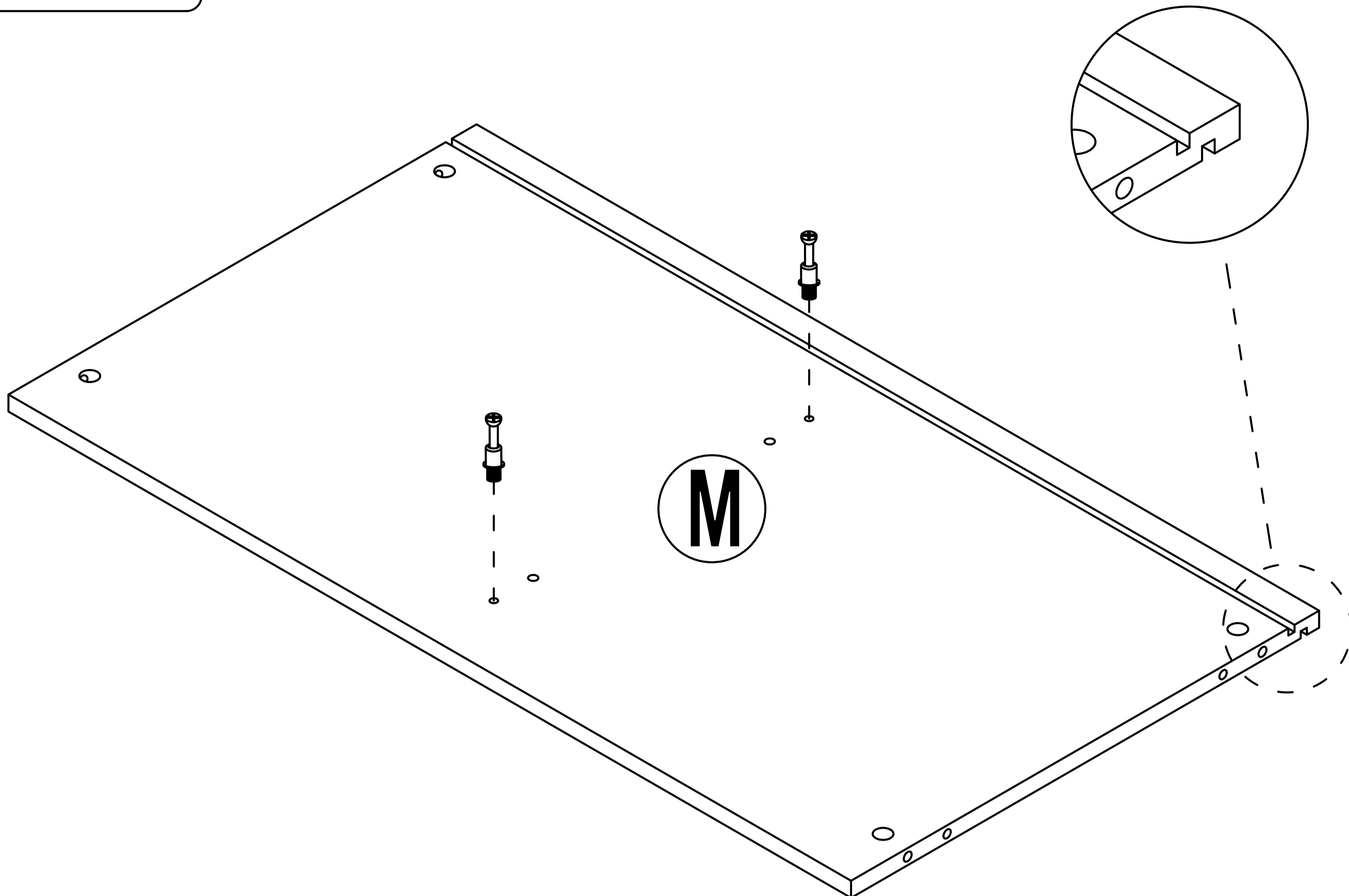
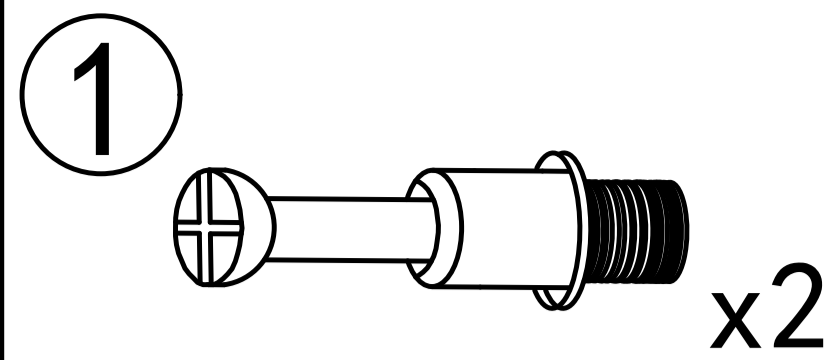


Step 16

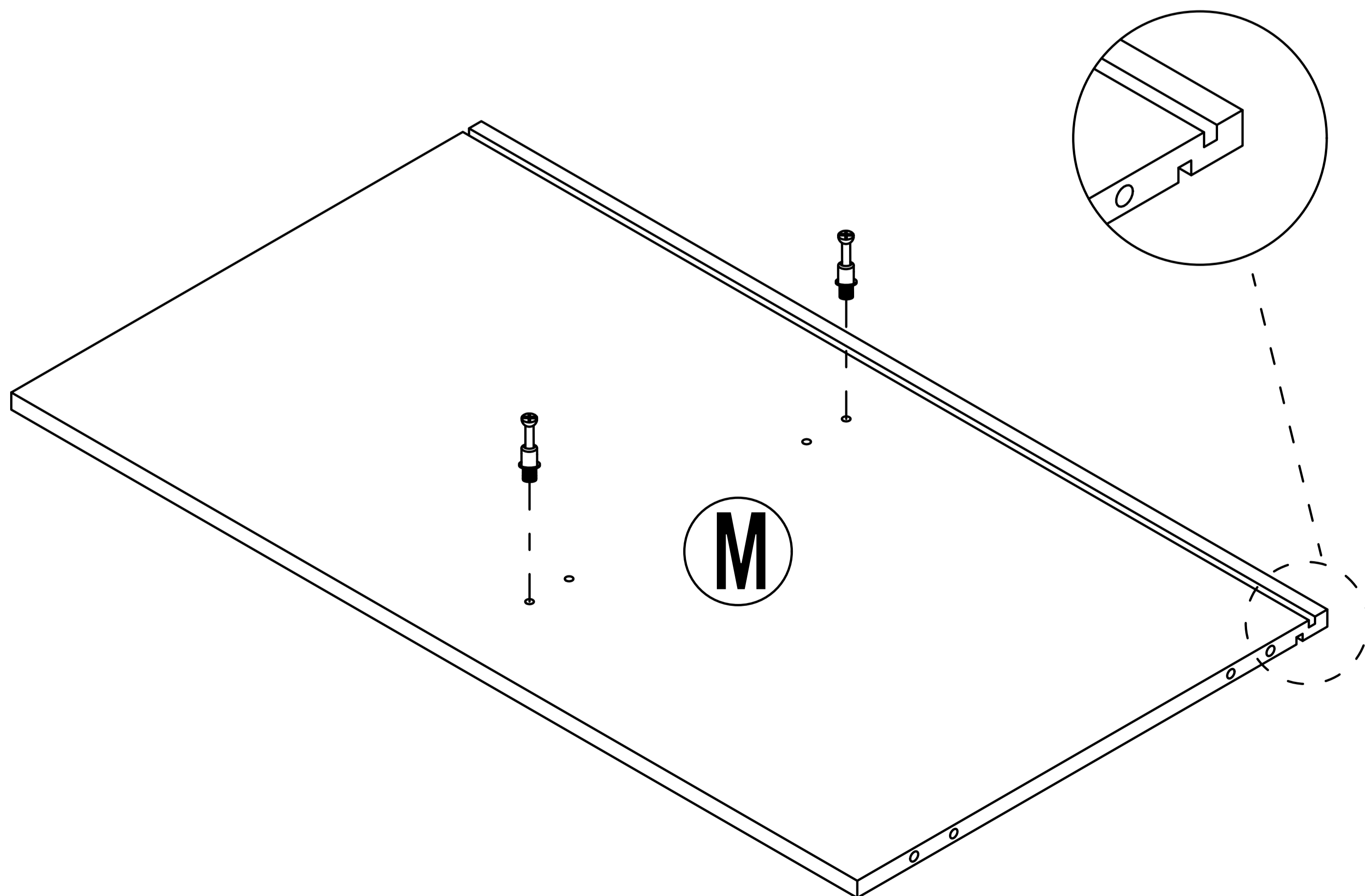
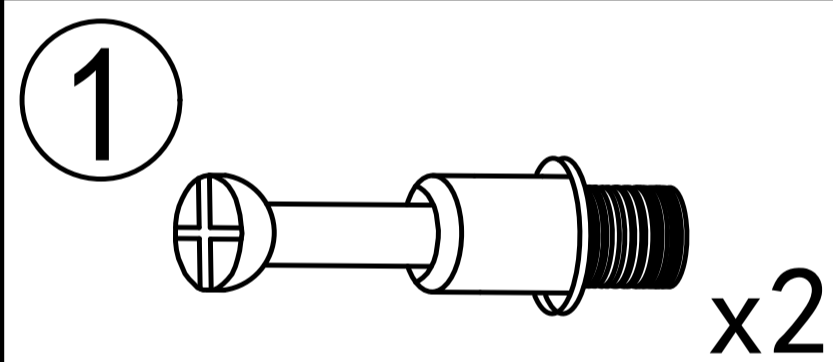
- ②  x2
- ③  x2



Step 17

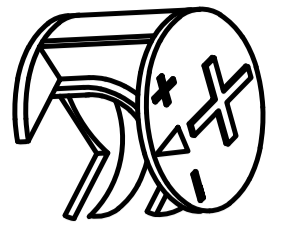


Step 18

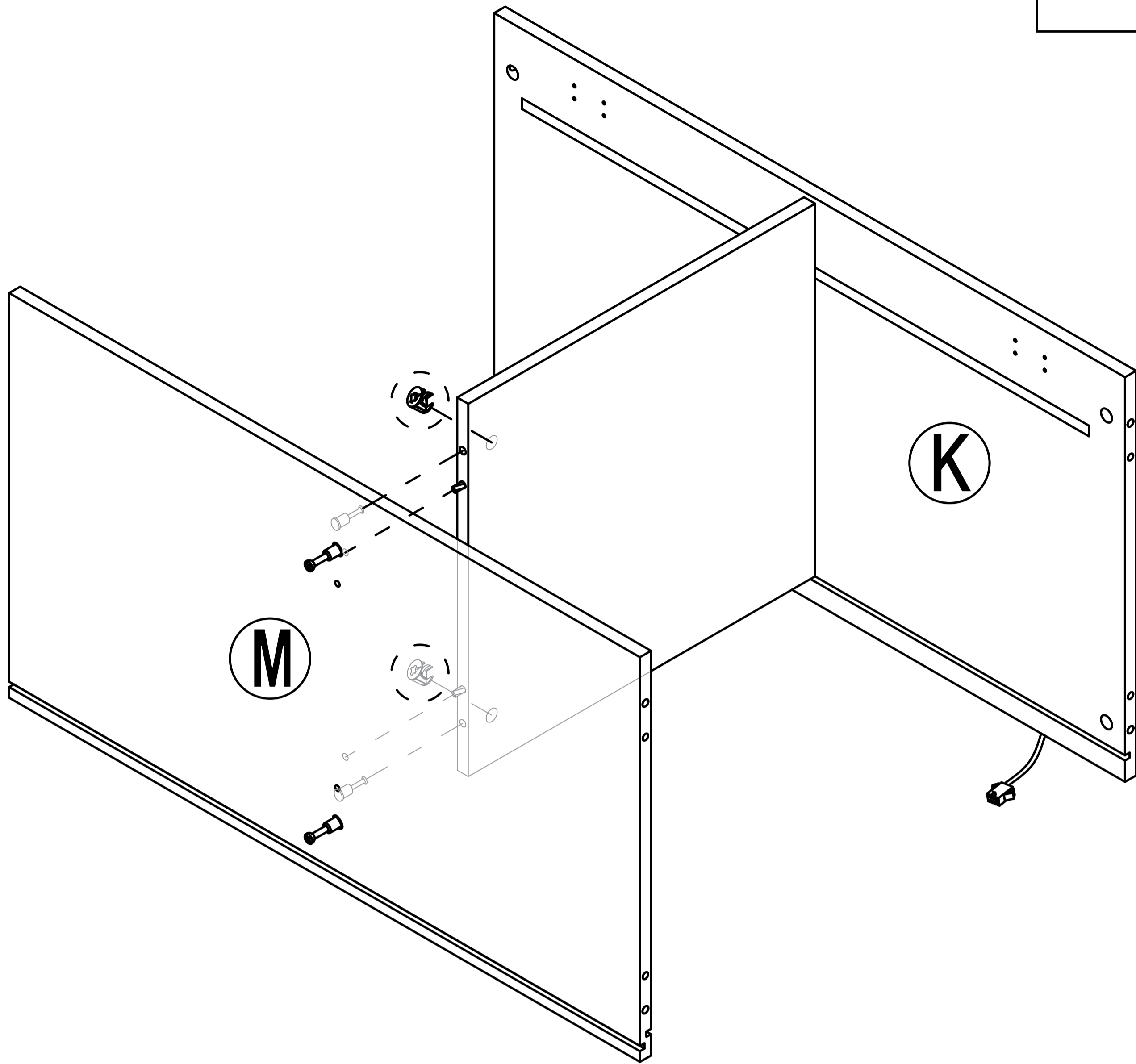


# Step 19

2

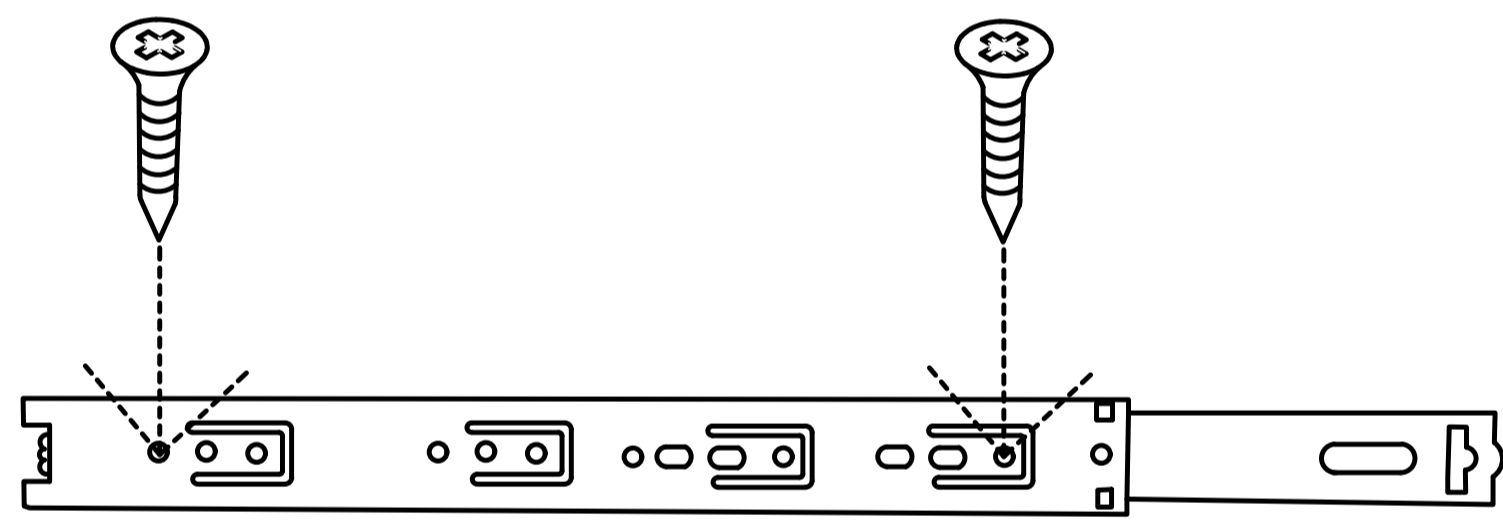


x2

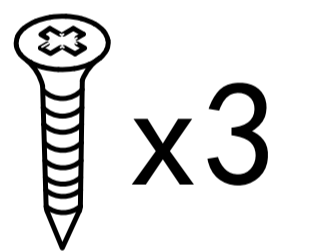


# Step 20

4

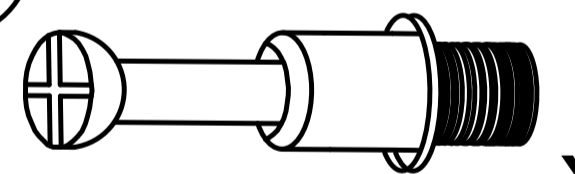


x1

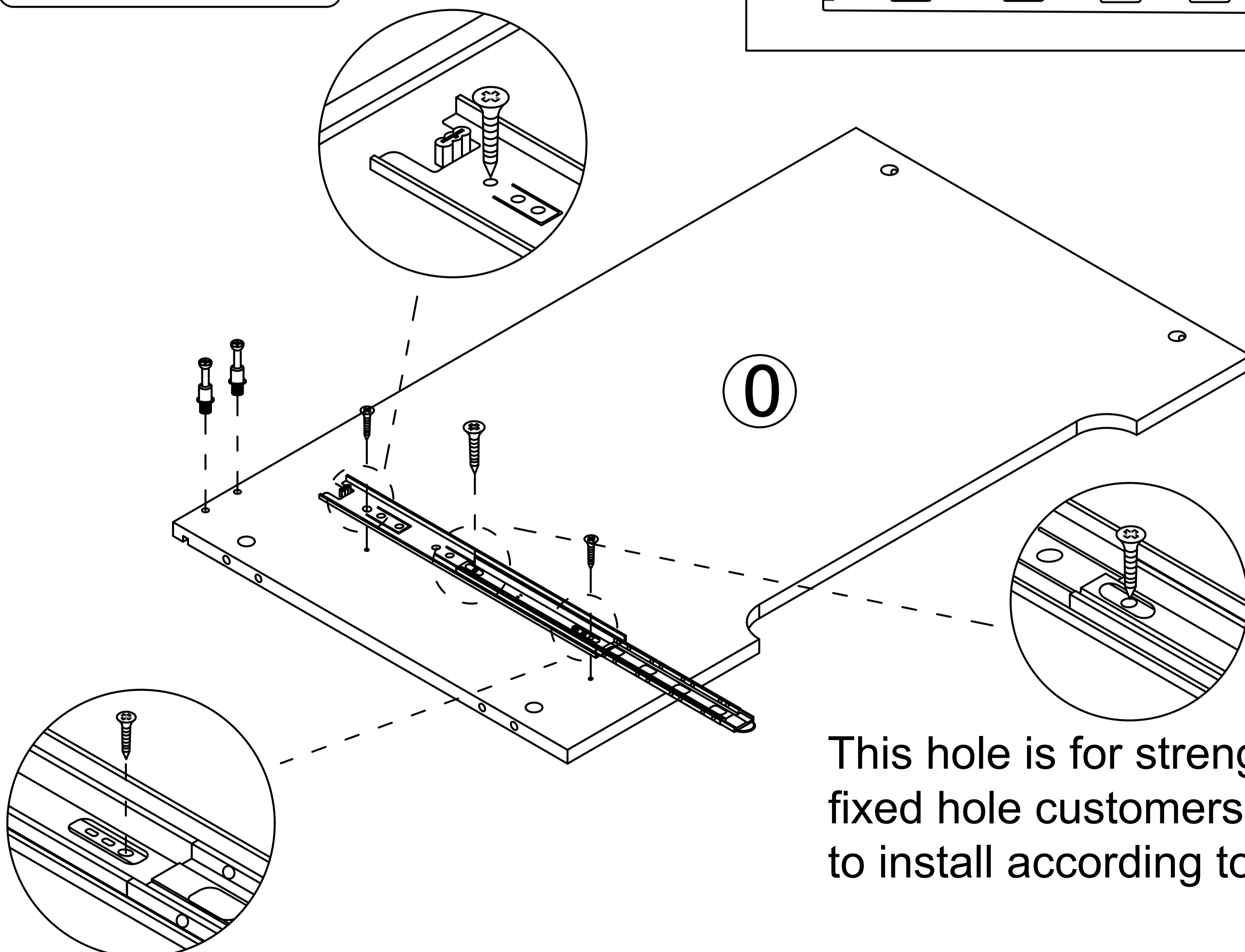


x3

1



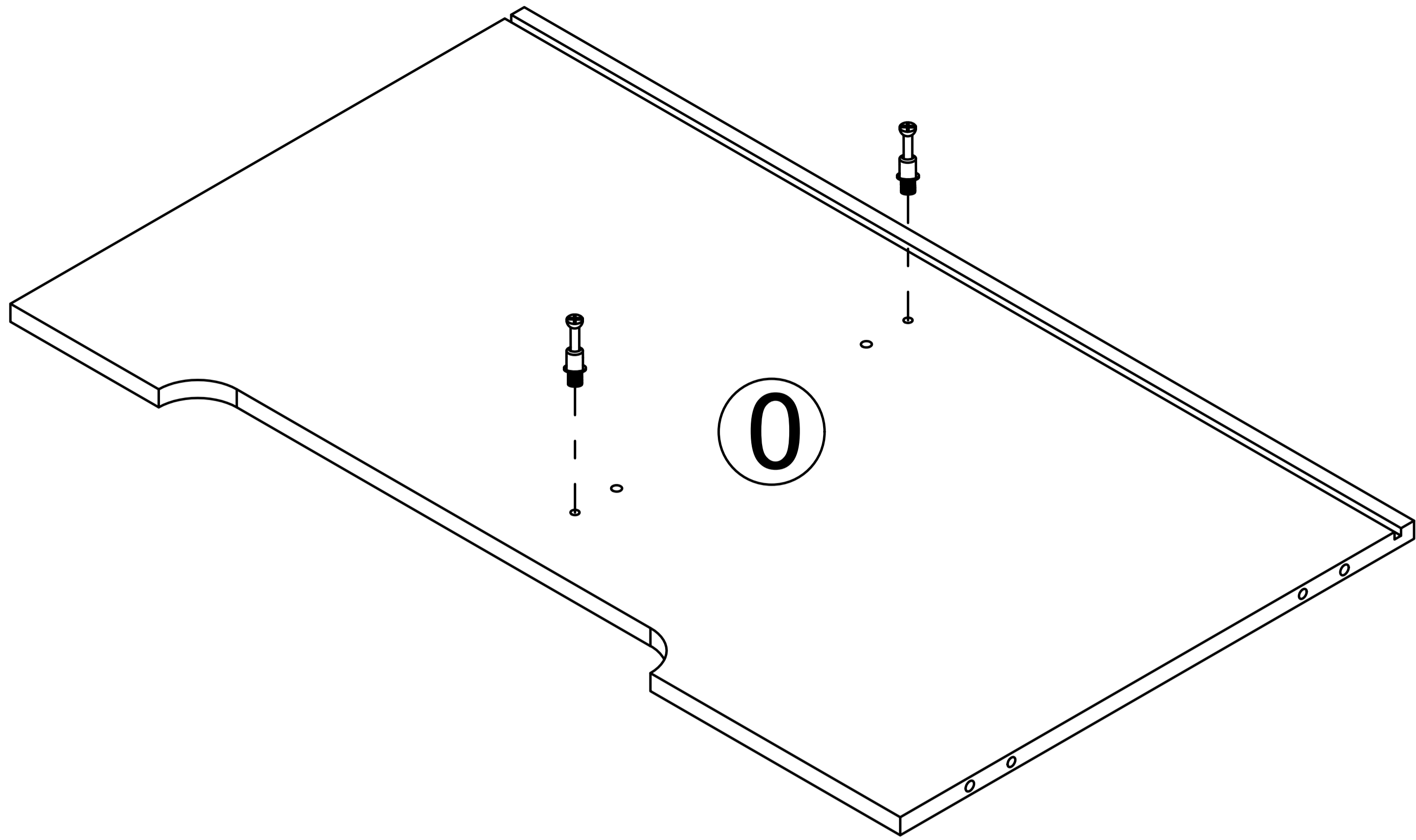
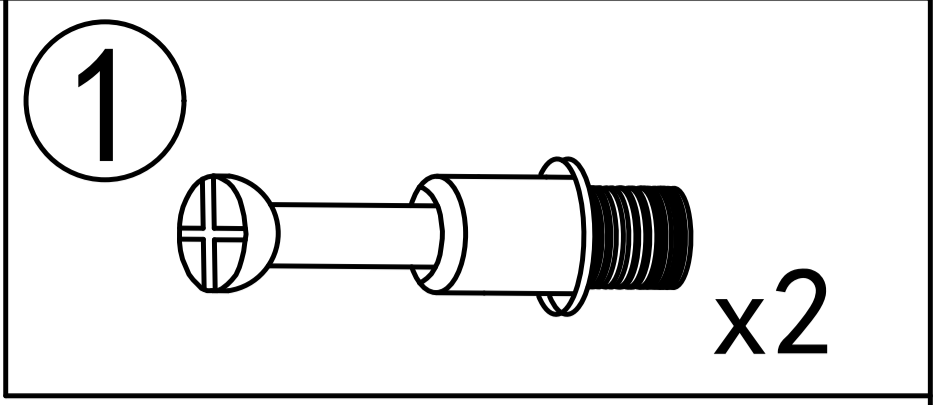
x2



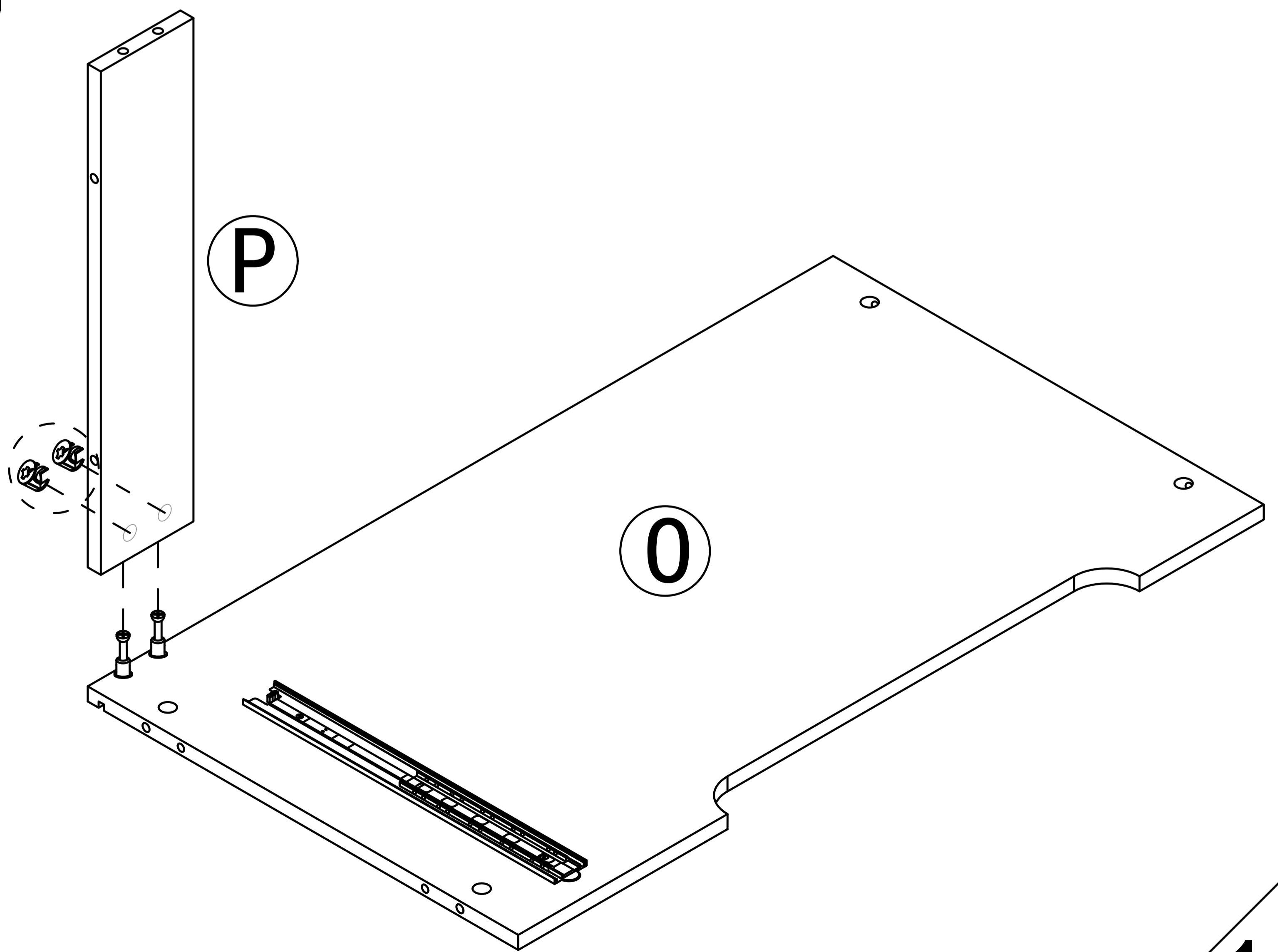
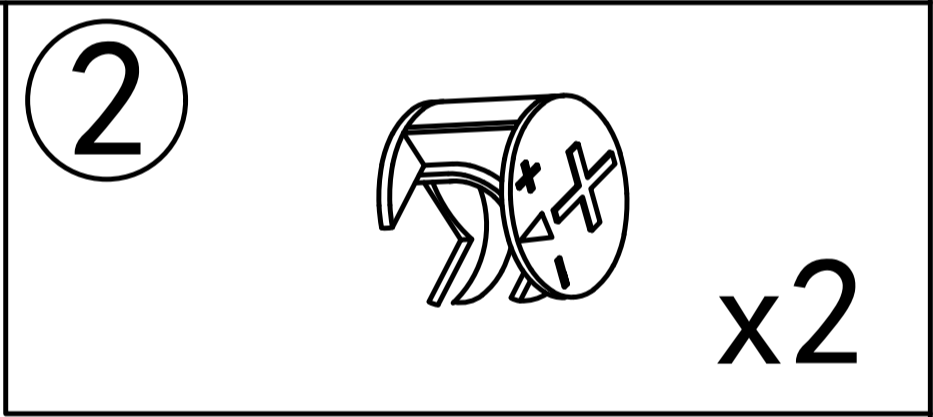
This hole is for strengthening fixed hole customers can choose to install according to their needs.

16

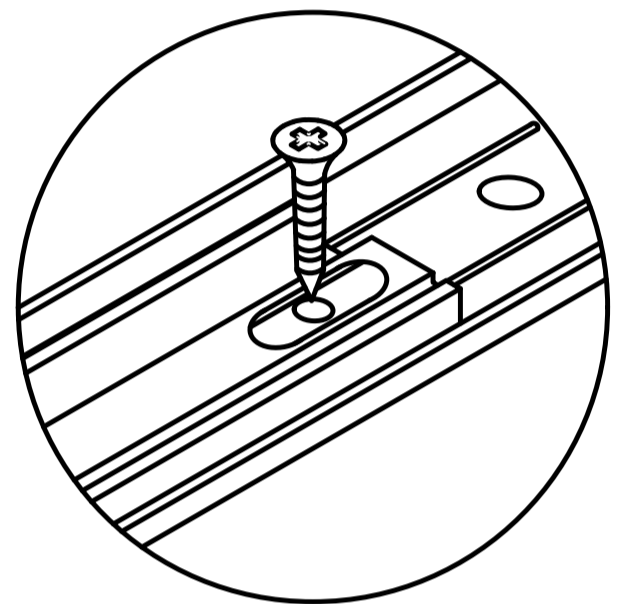
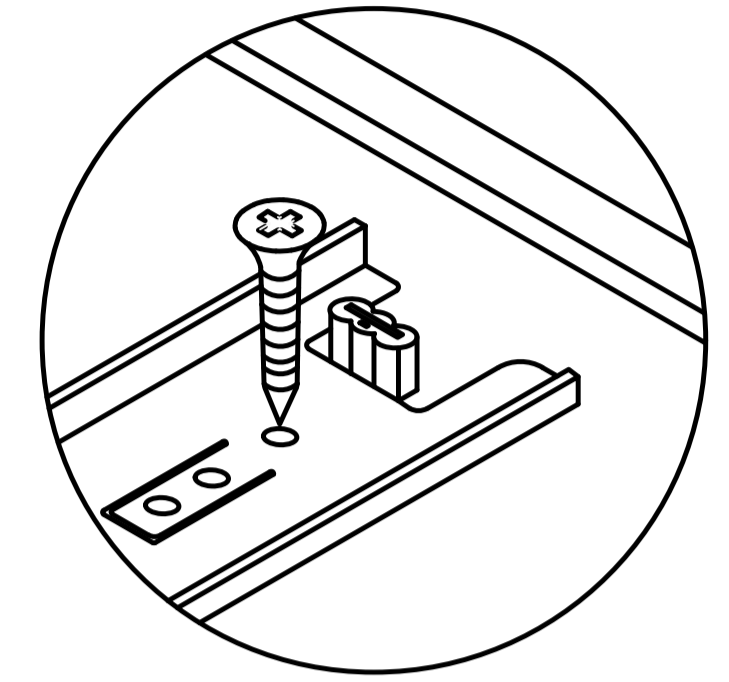
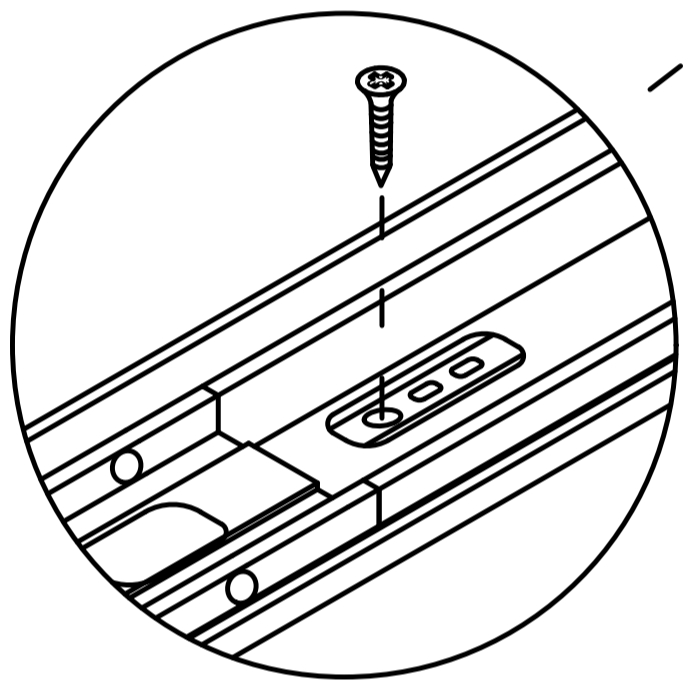
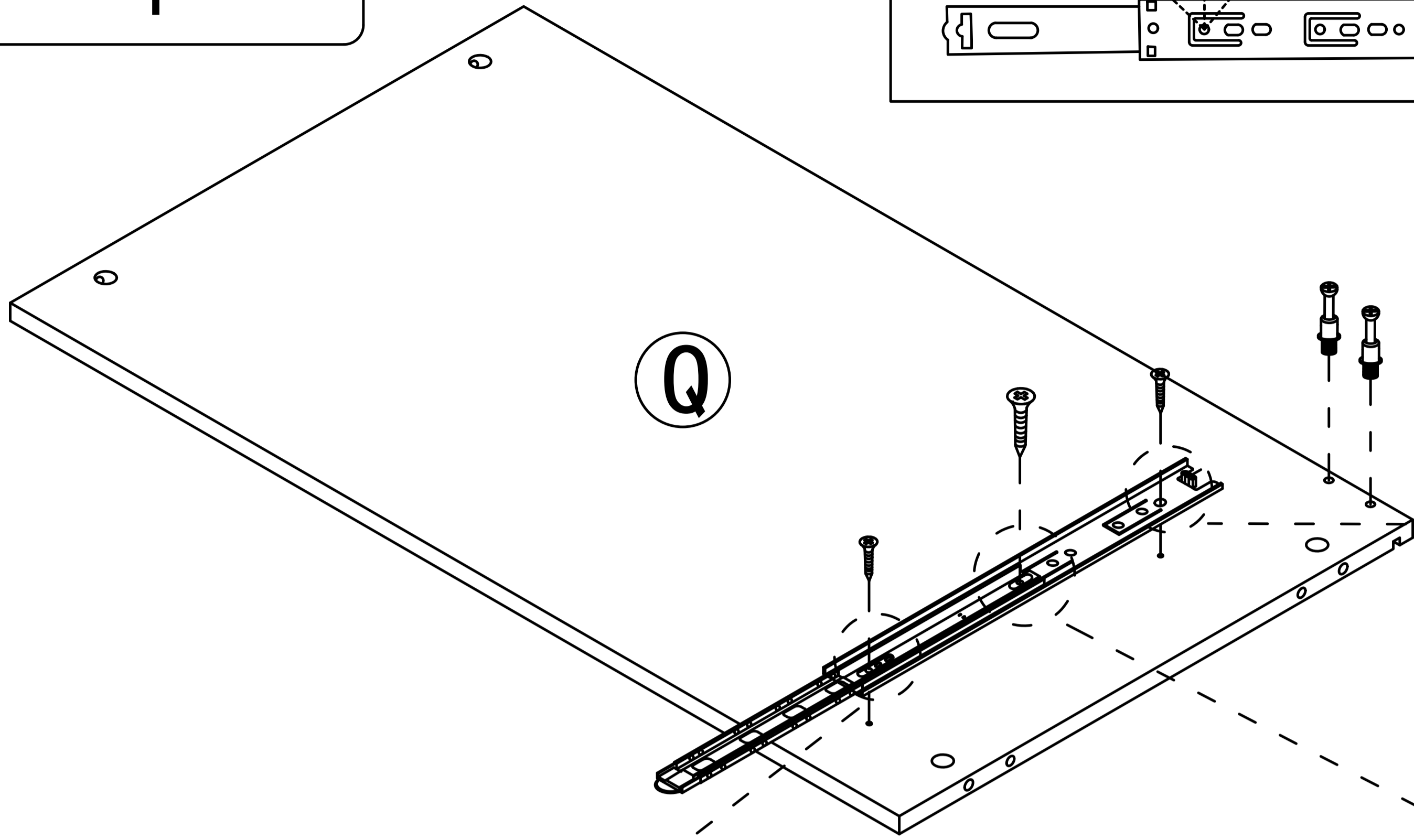
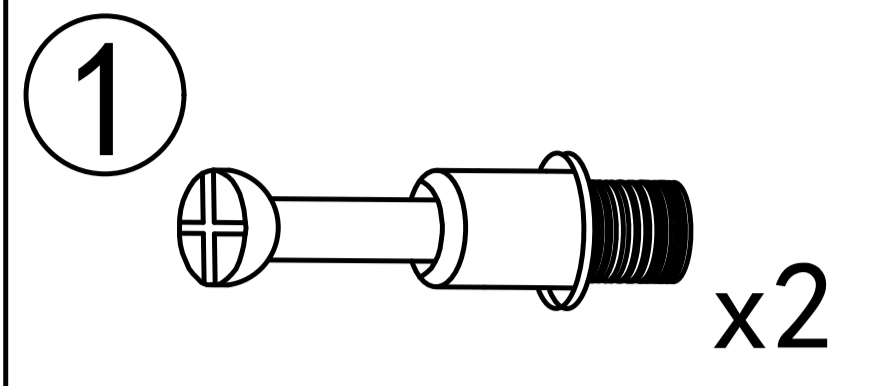
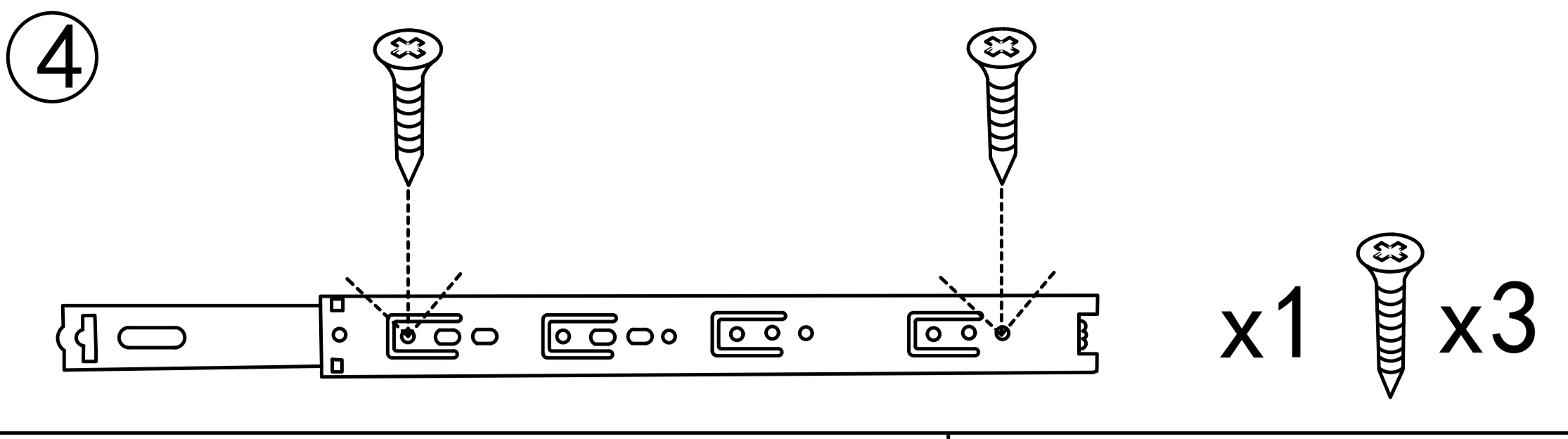
Step 21



Step 22

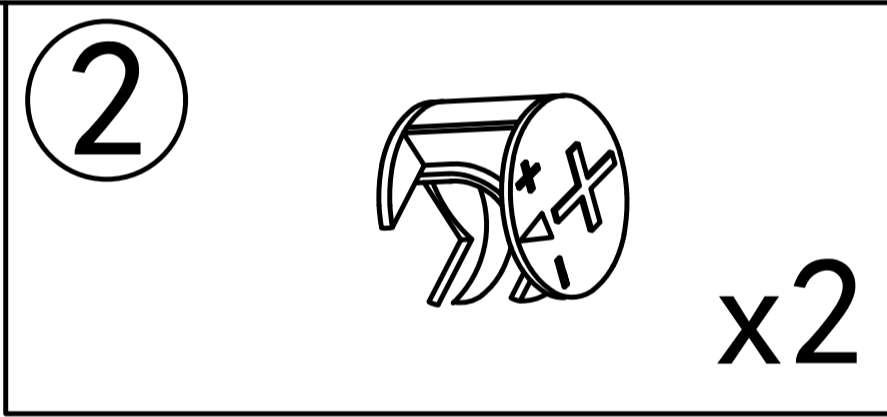


# Step 23

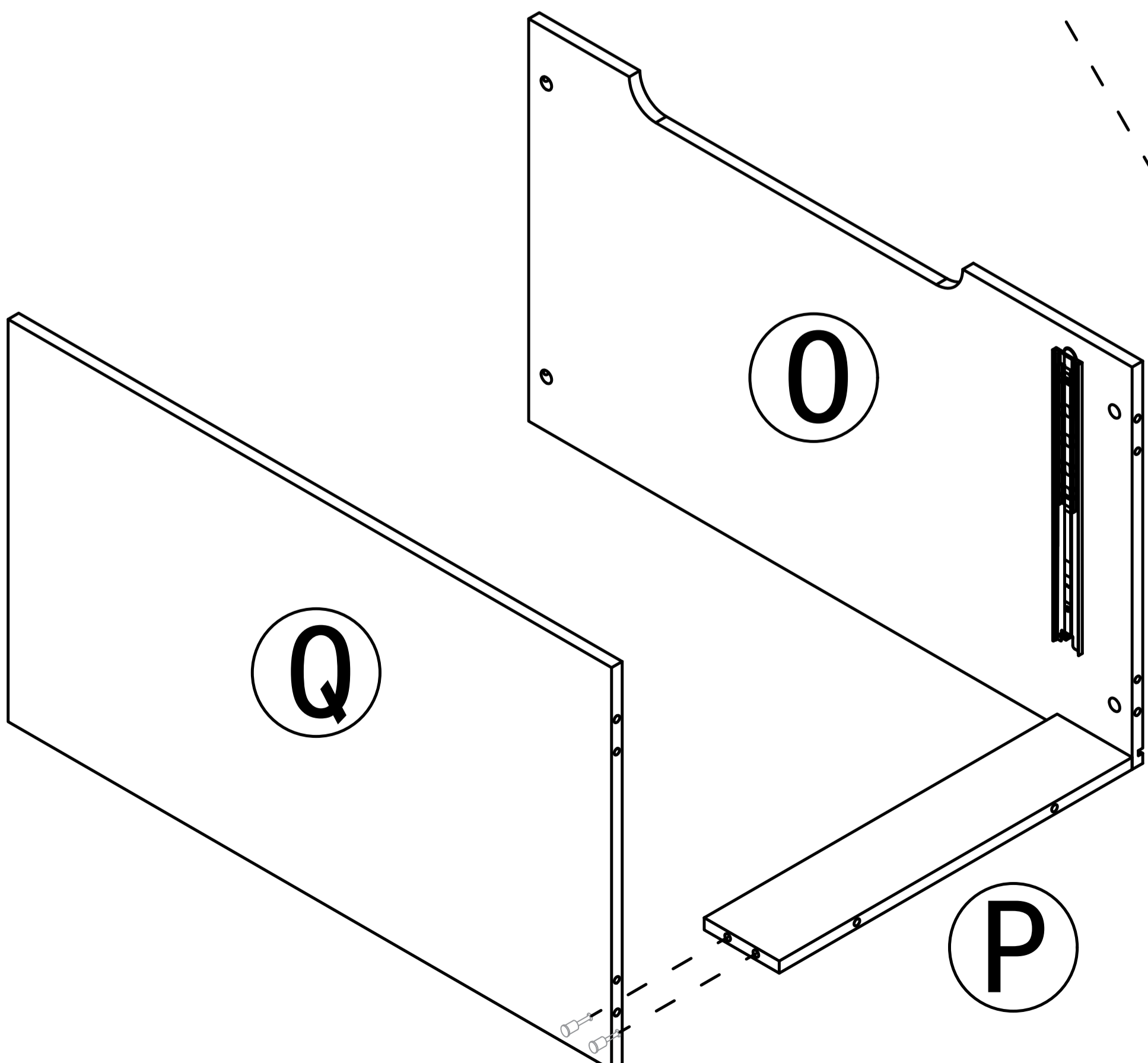


This hole is for strengthening fixed hole customers can choose to install according to their needs.

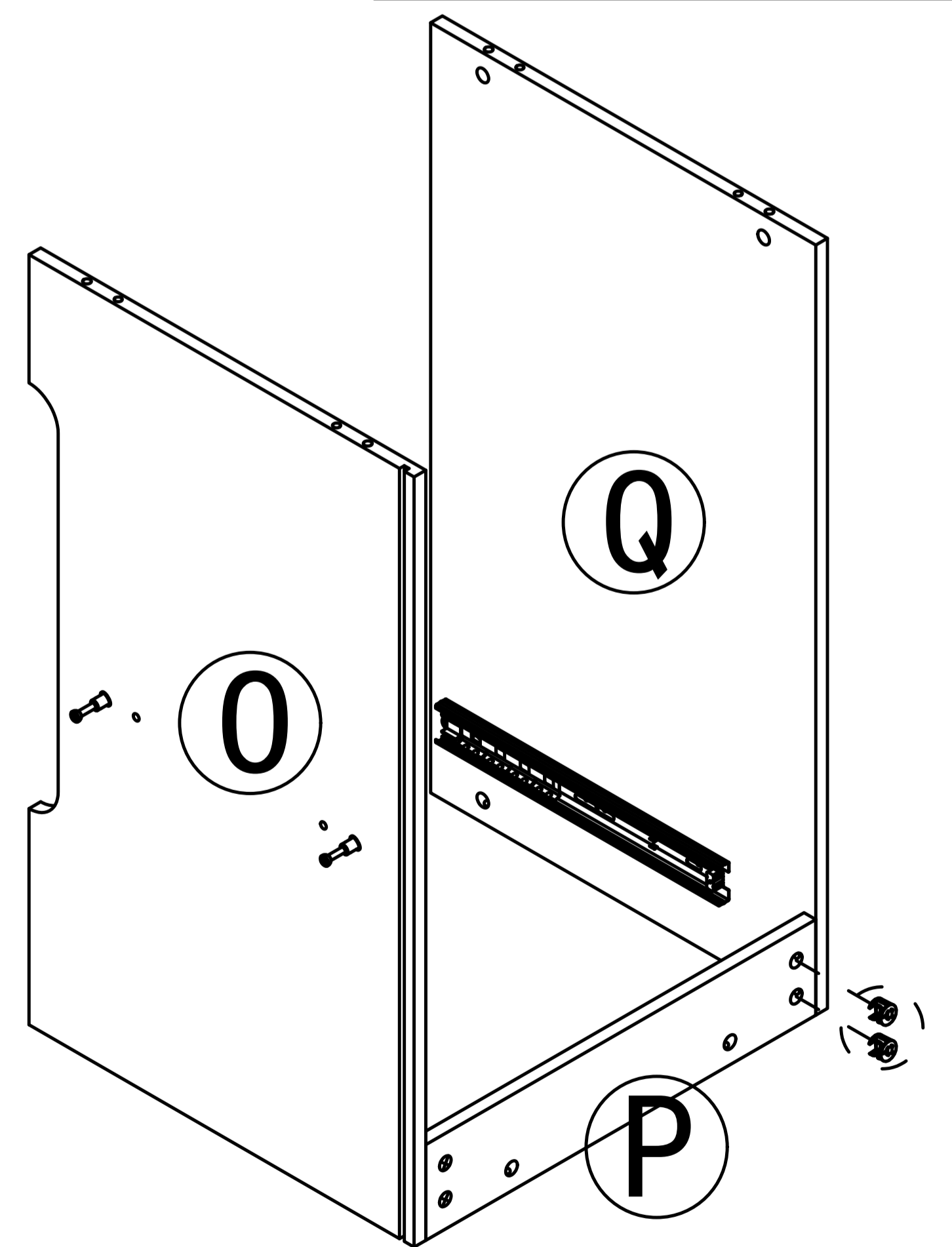
# Step 24




first

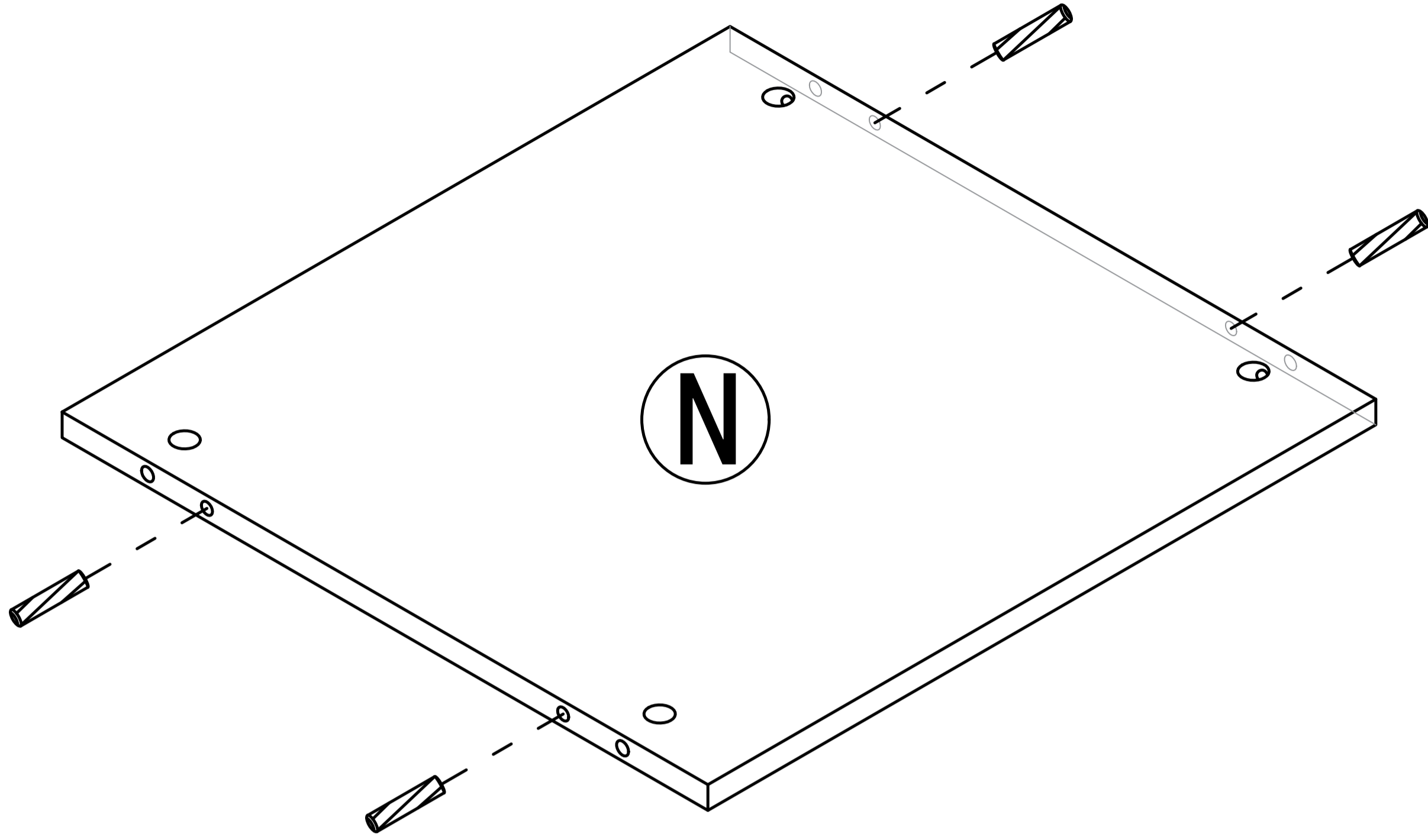


second

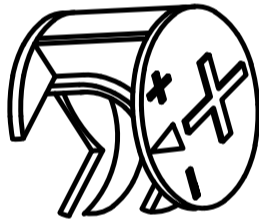


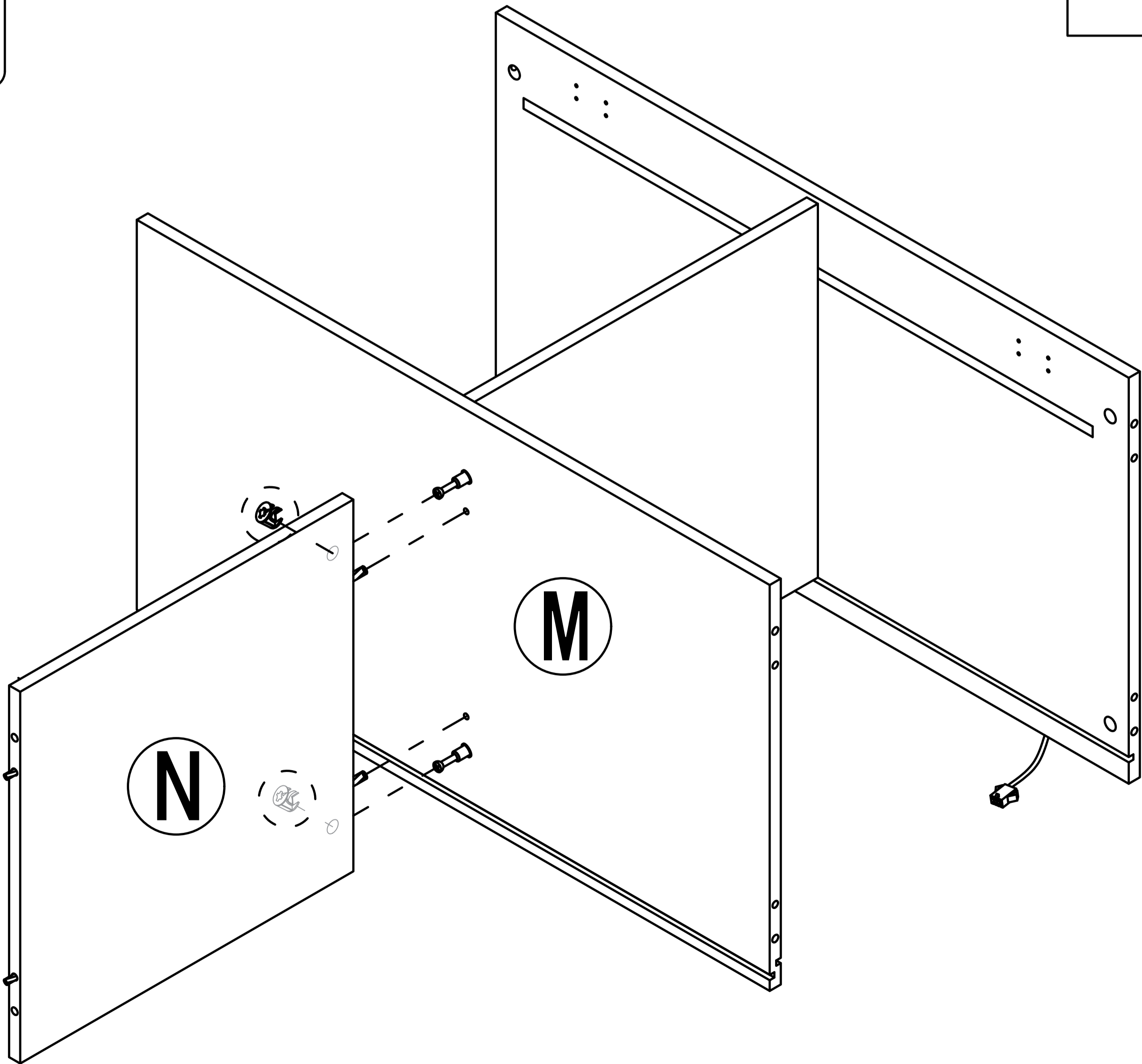
Step 25

3  x4

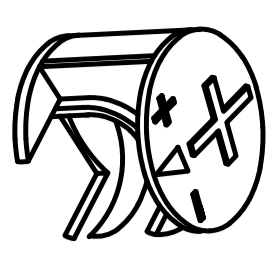


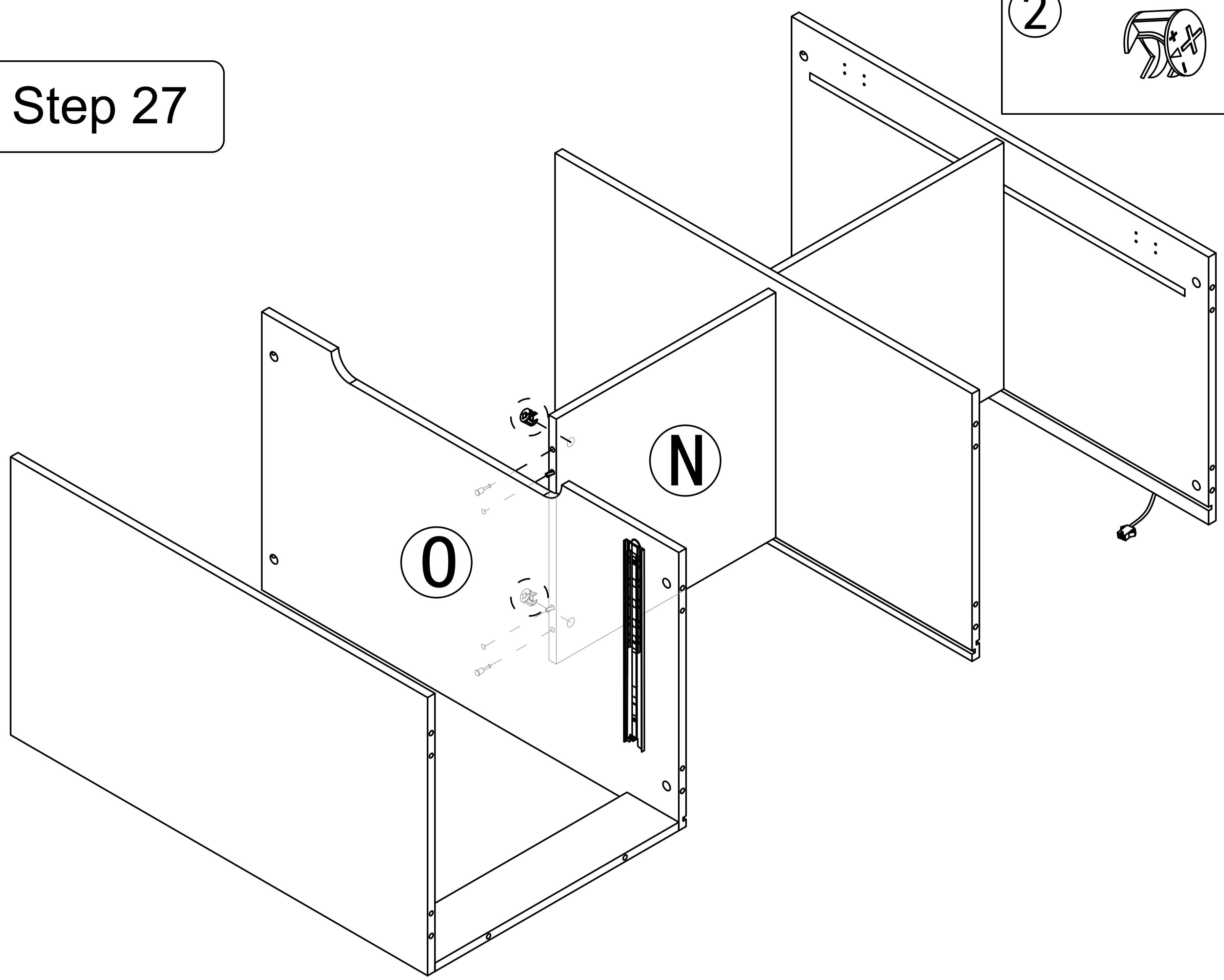
Step 26

2  x2

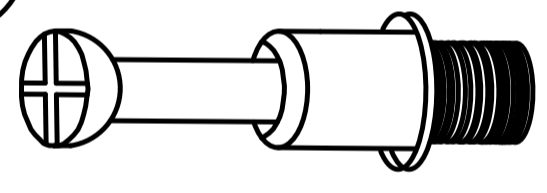


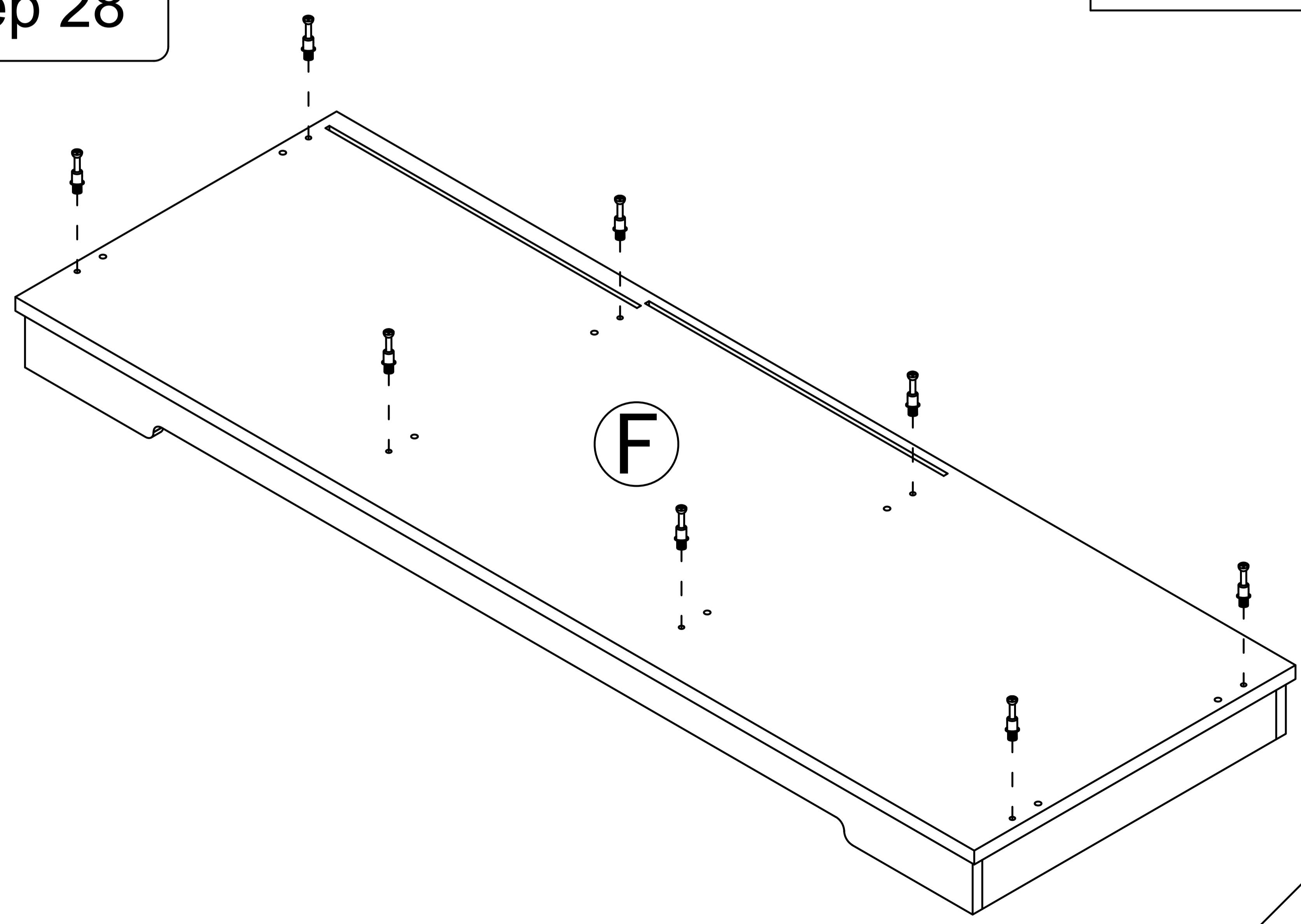
Step 27

2  x2

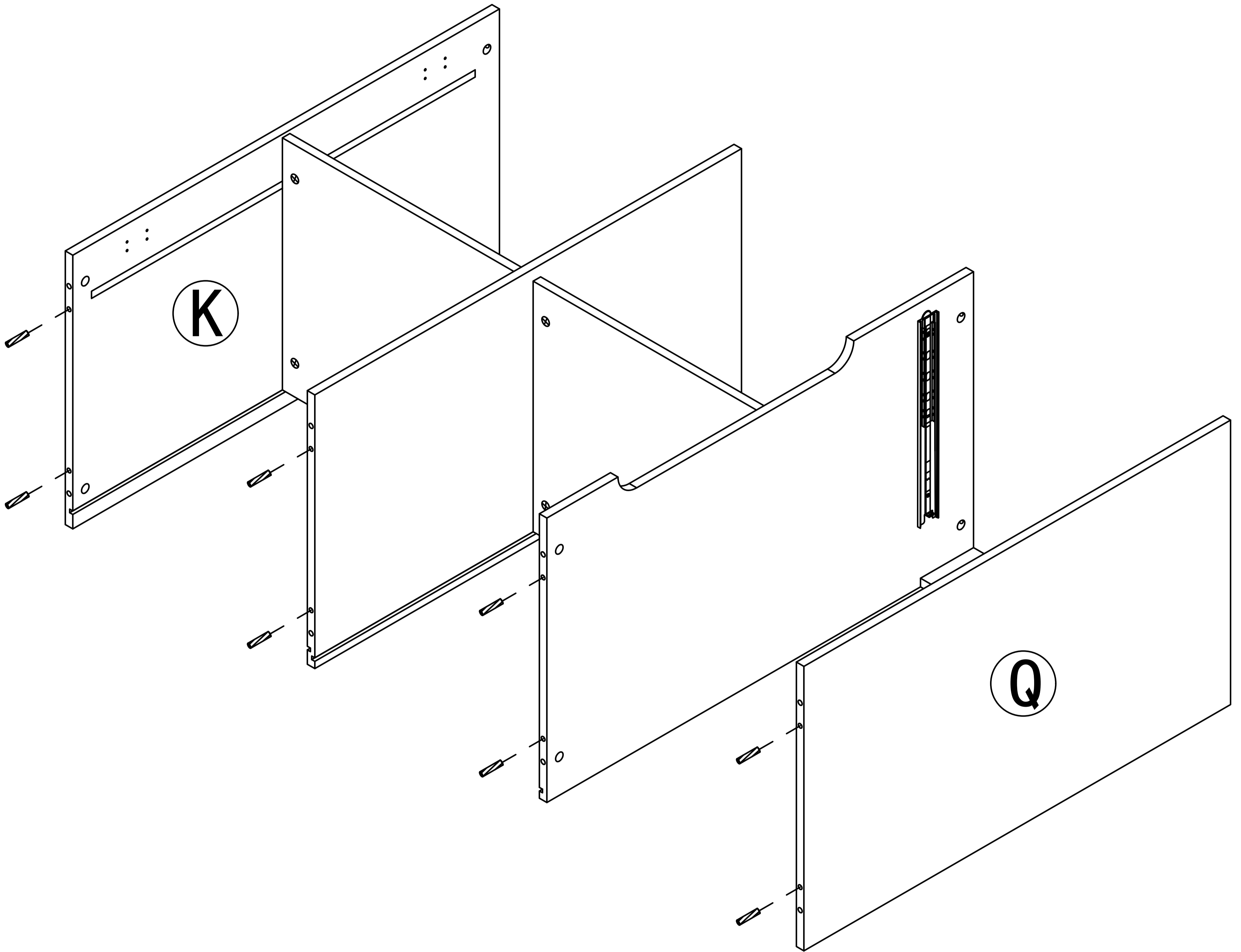
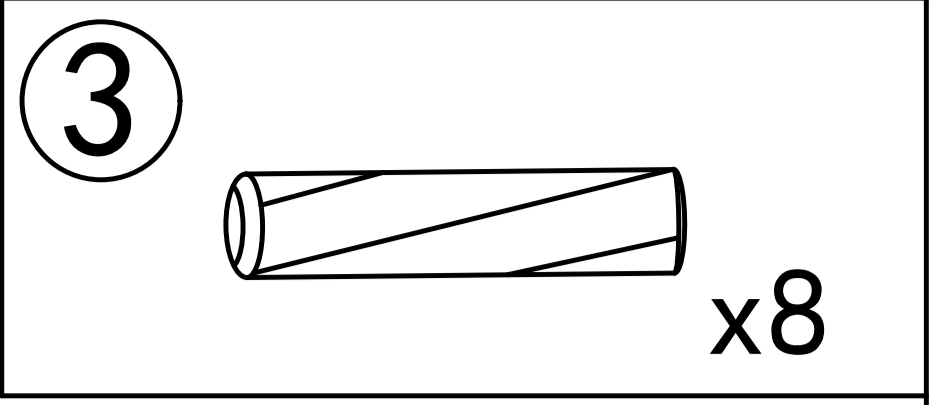


Step 28

1  x8

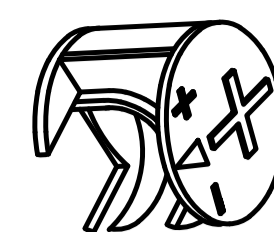


Step 29

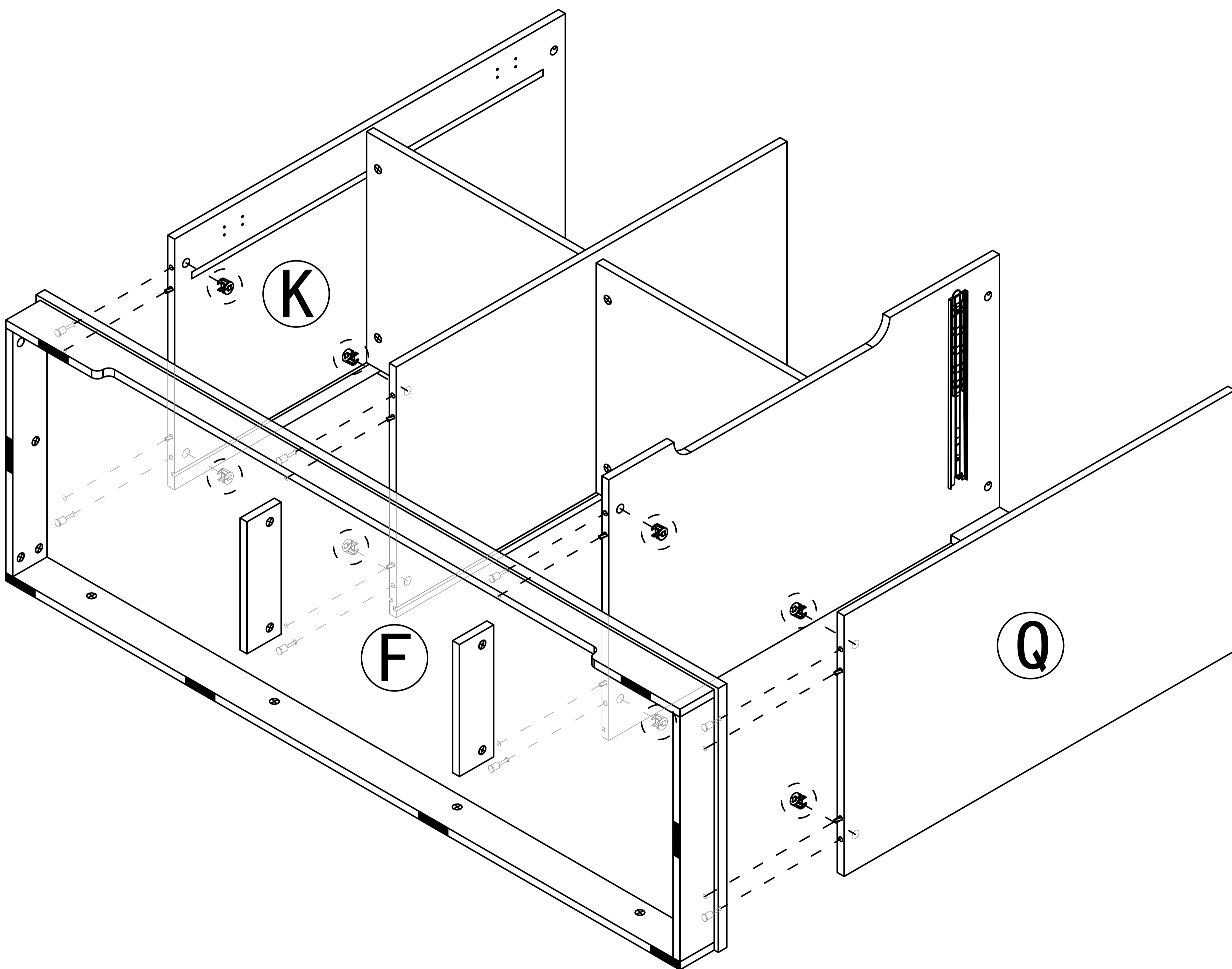


Step 30

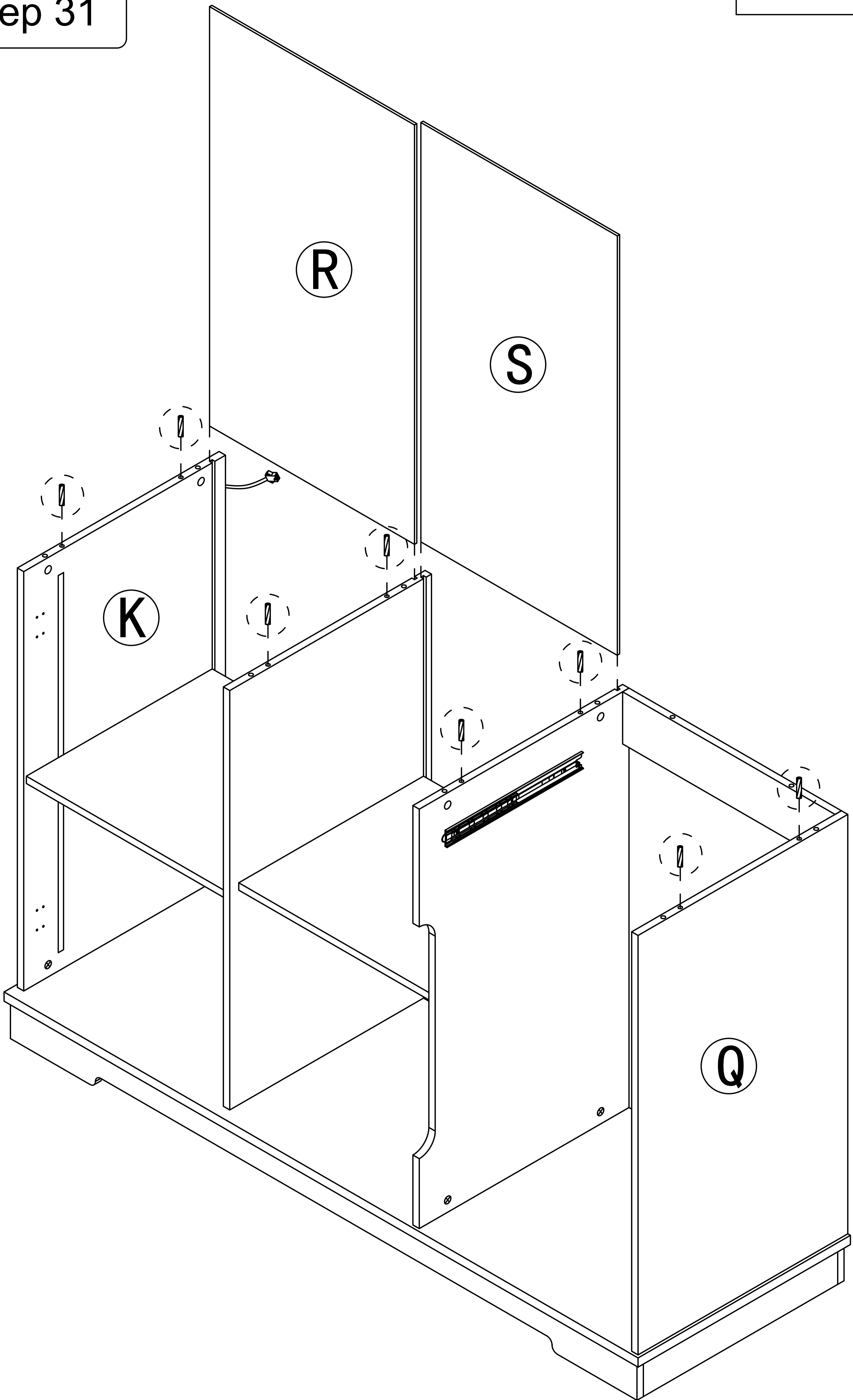
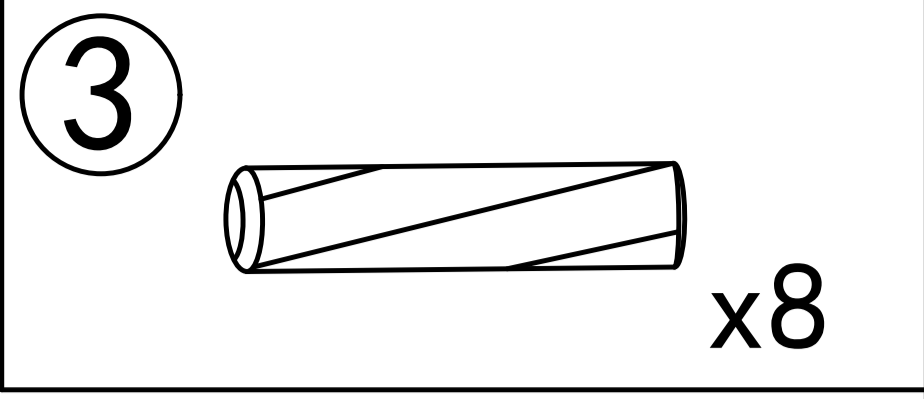
2



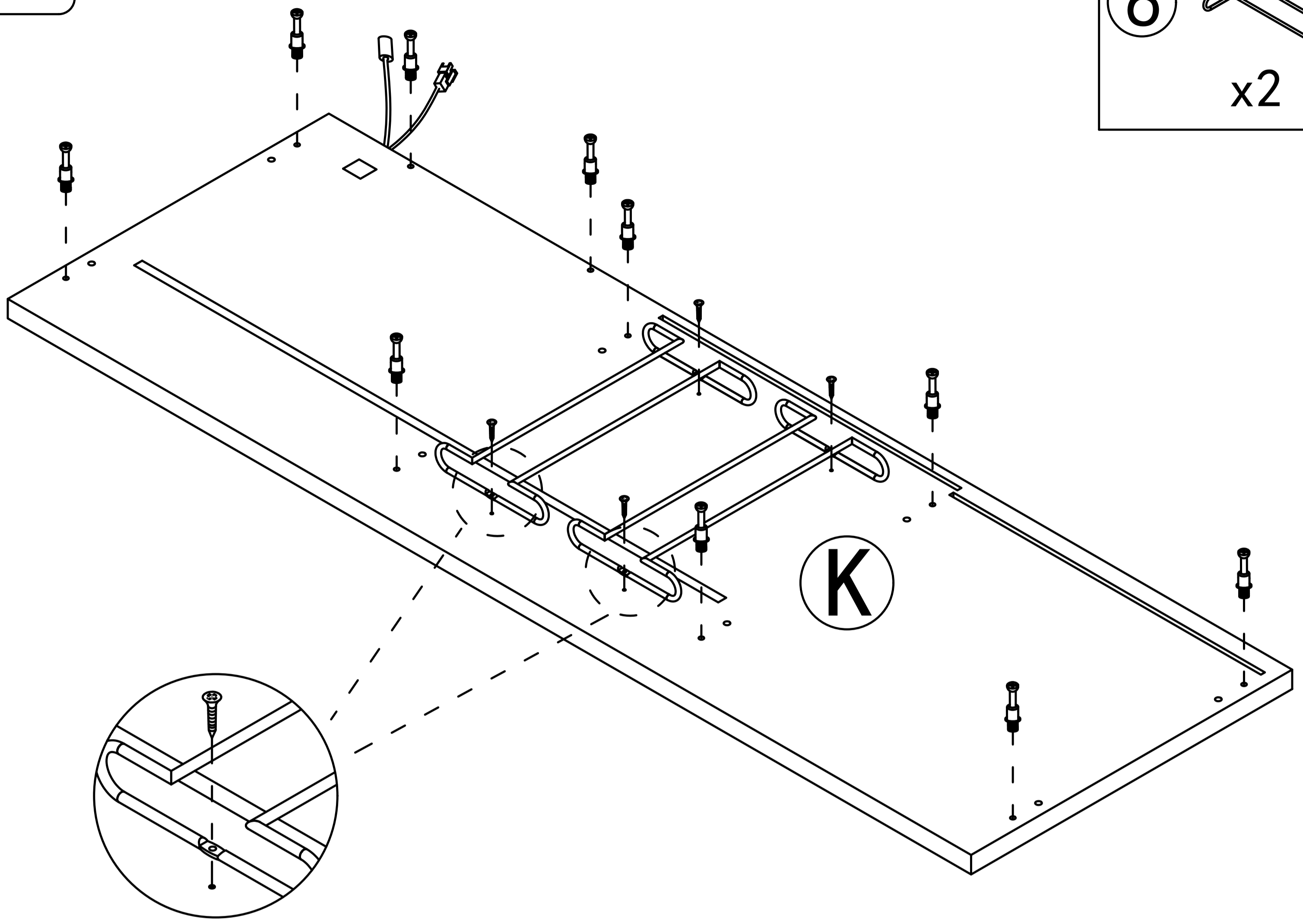
x8

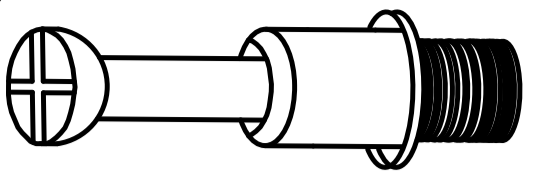
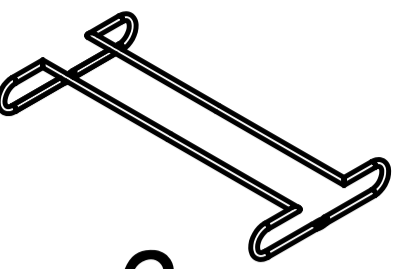
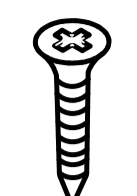


Step 31

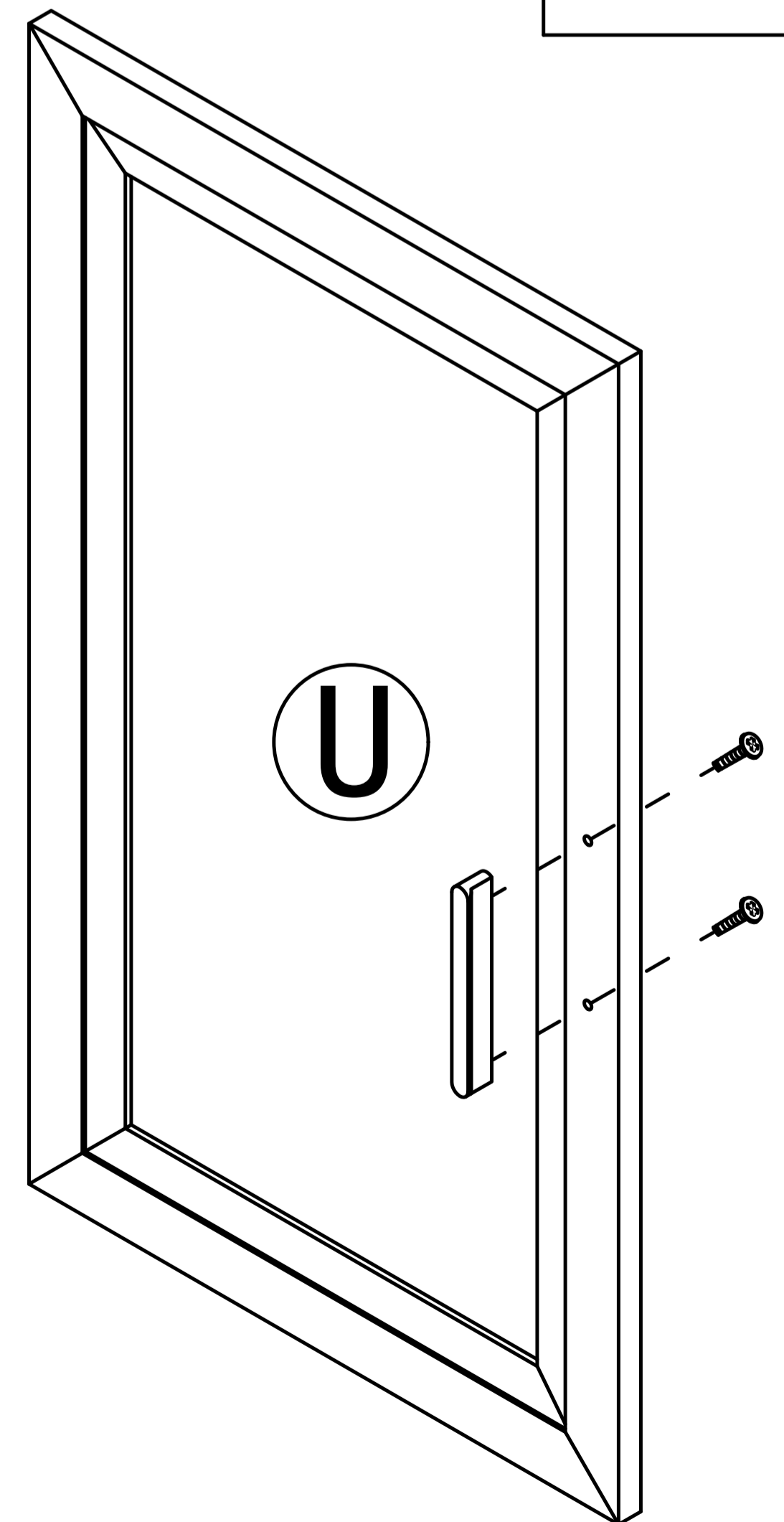
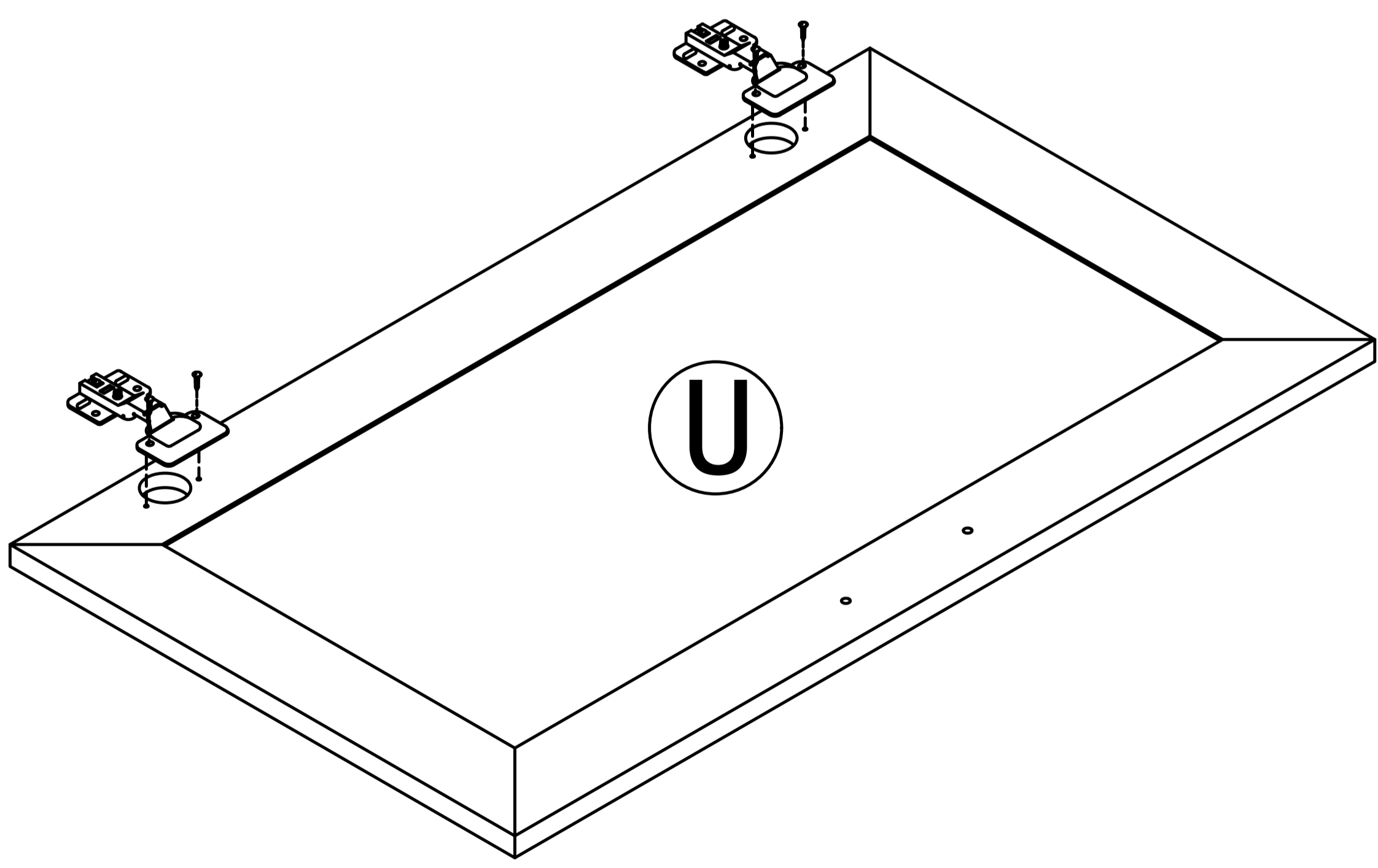


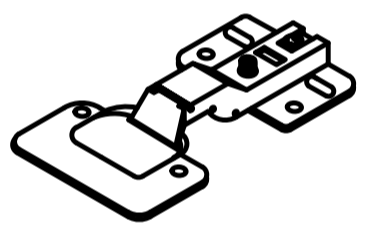

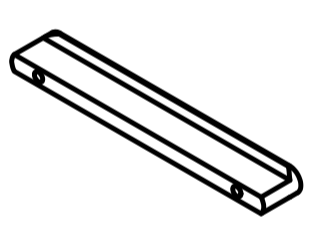

# Step 32



- ①  x10
- ⑥  x2       x4

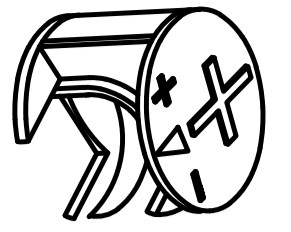
# Step 33



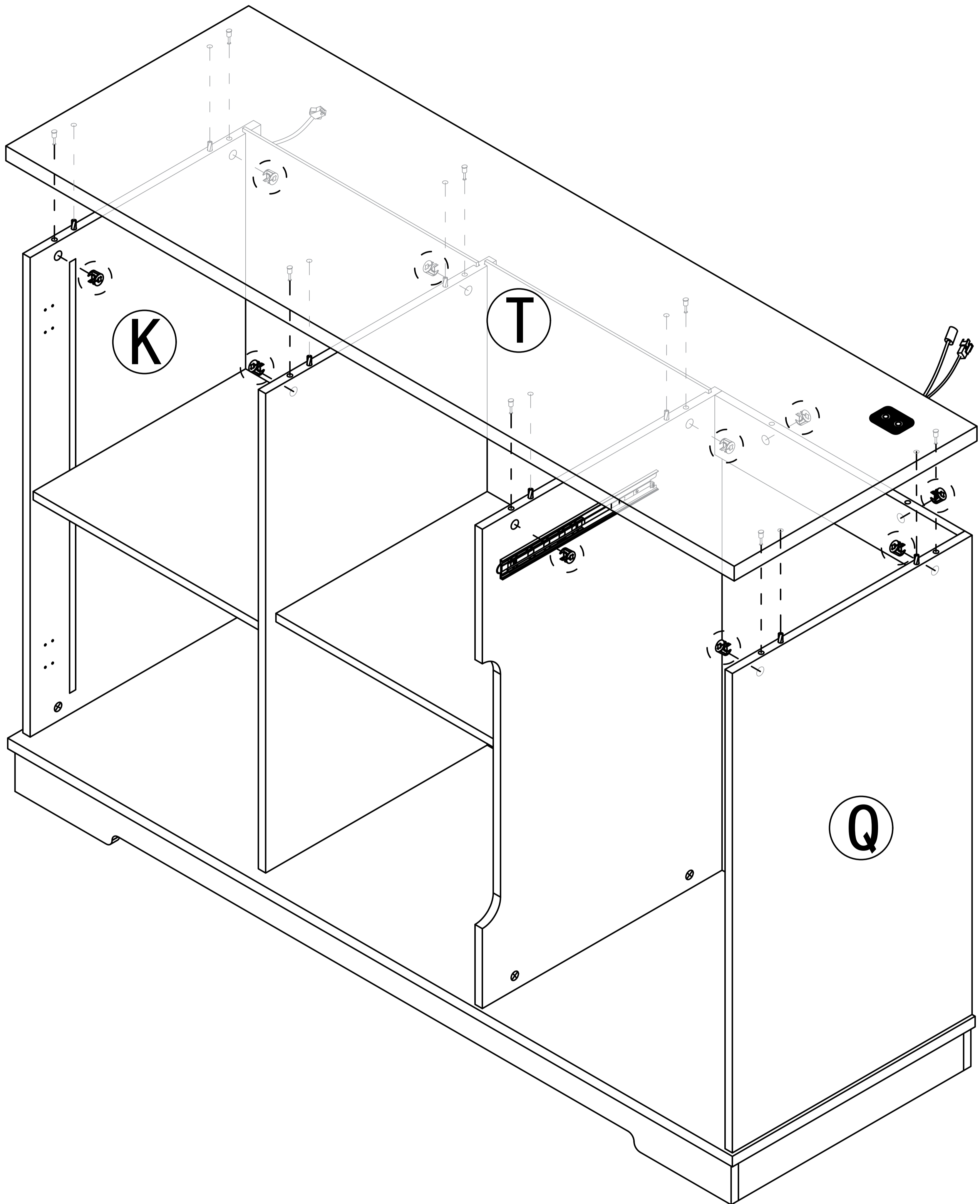
- ⑦  x2       x4
- ⑧  x1       x2

Step 34

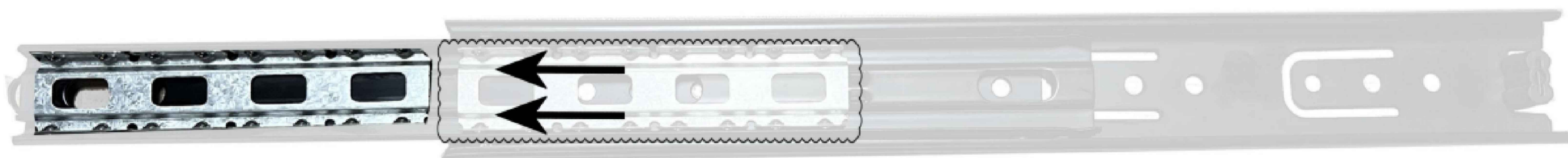
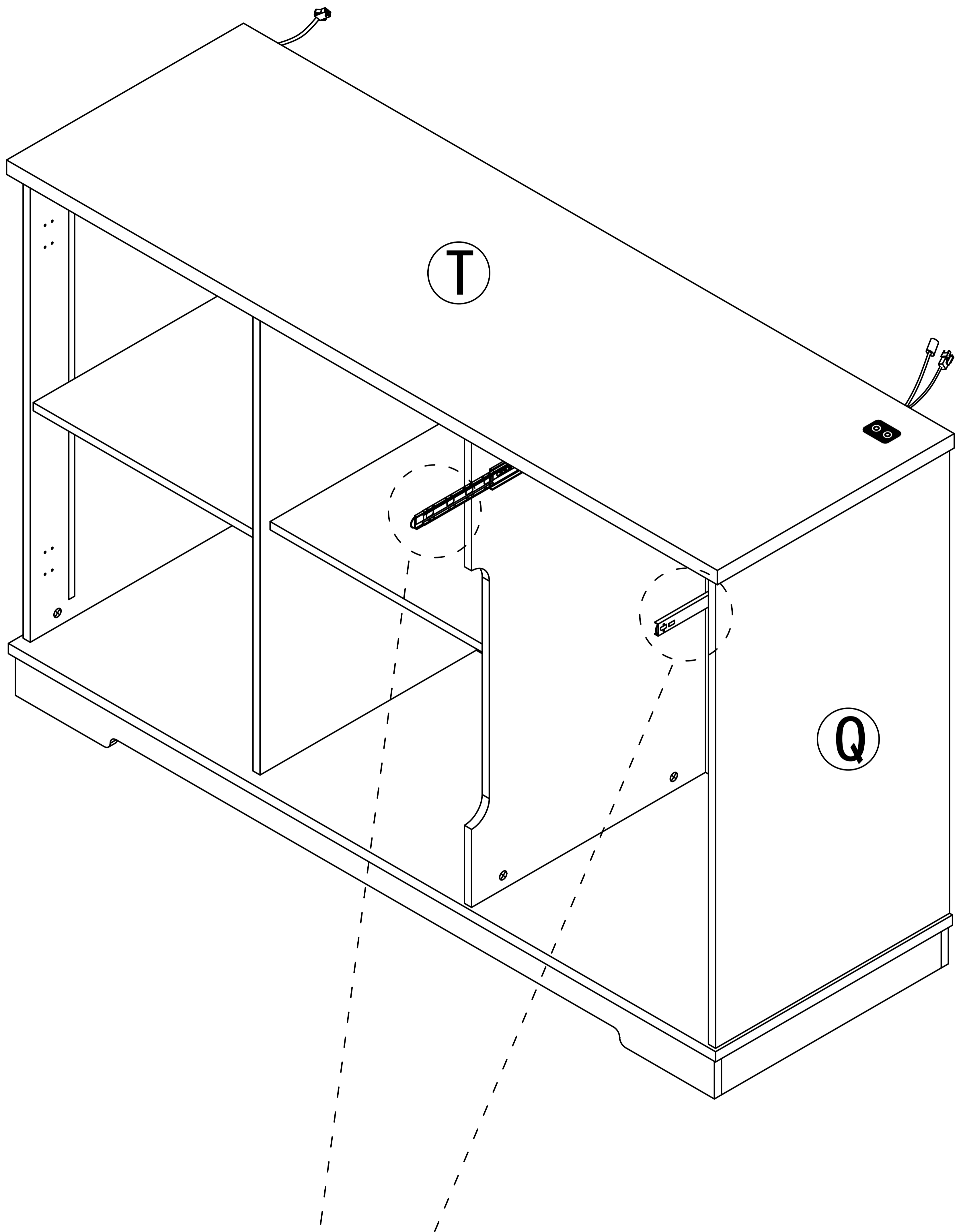
2



x10

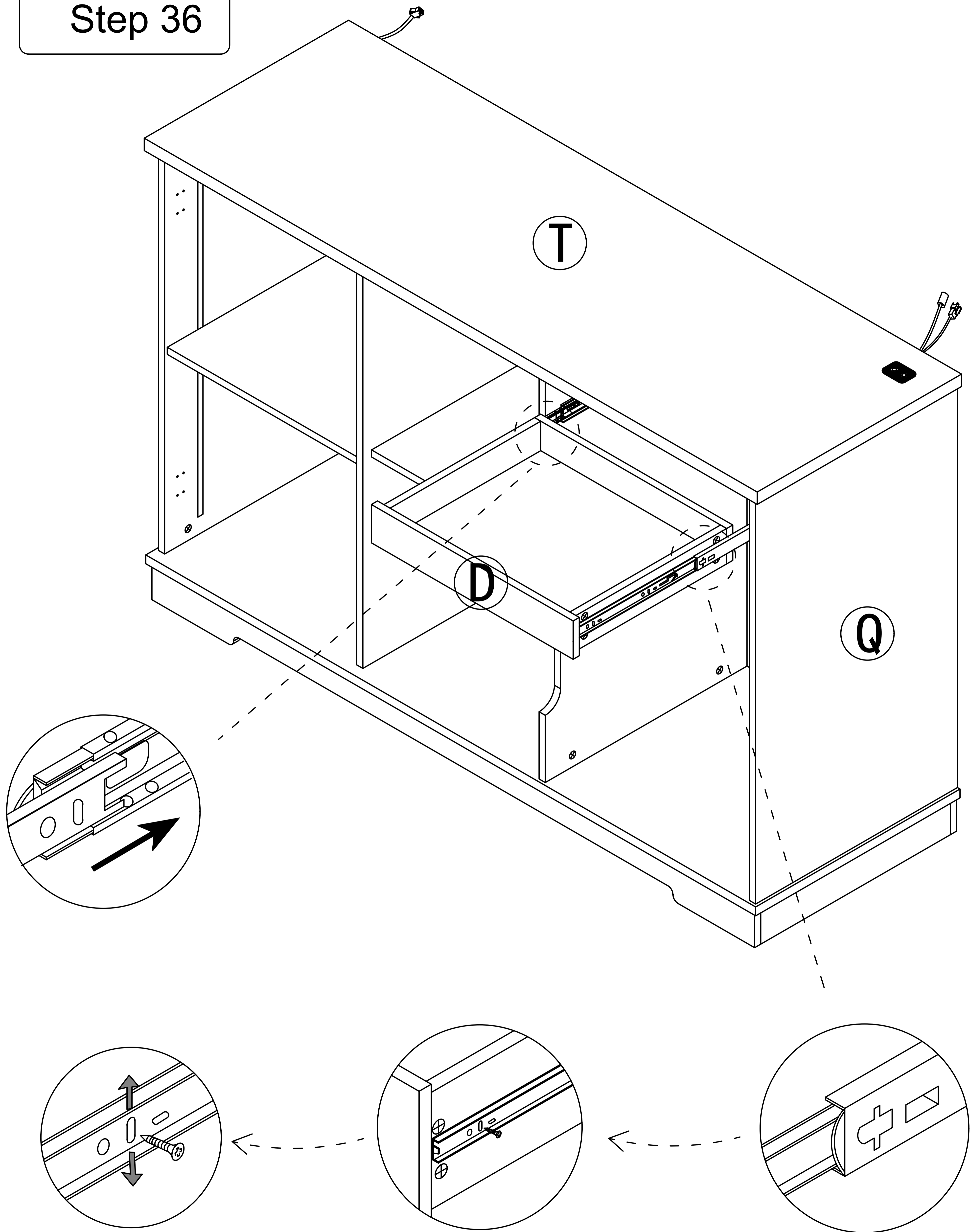


# Step 35



As shown, When installing the drawer,  
pull the guide rail out first, Slide beads are also pulled out.

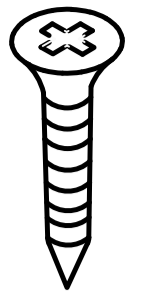
# Step 36



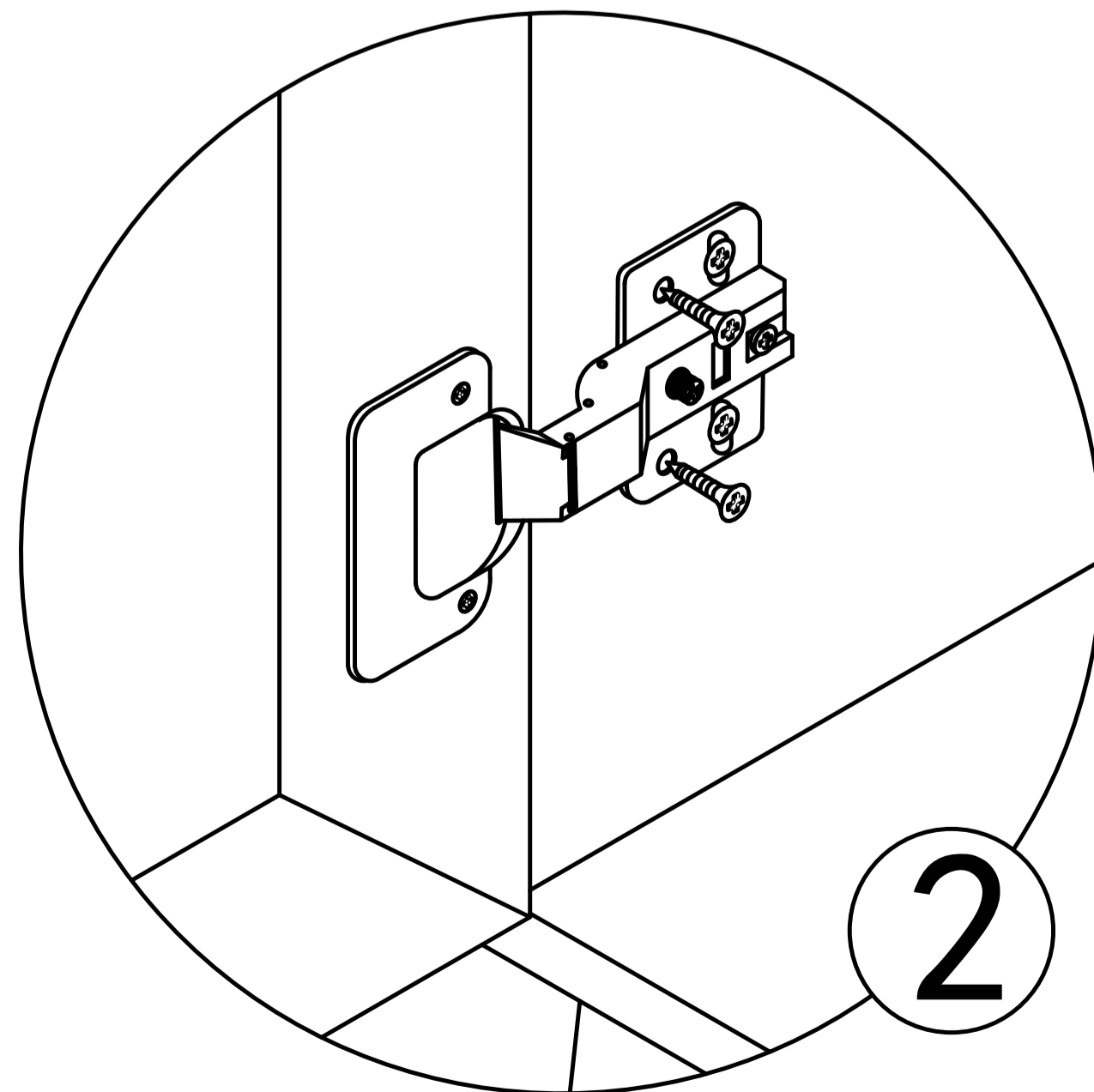
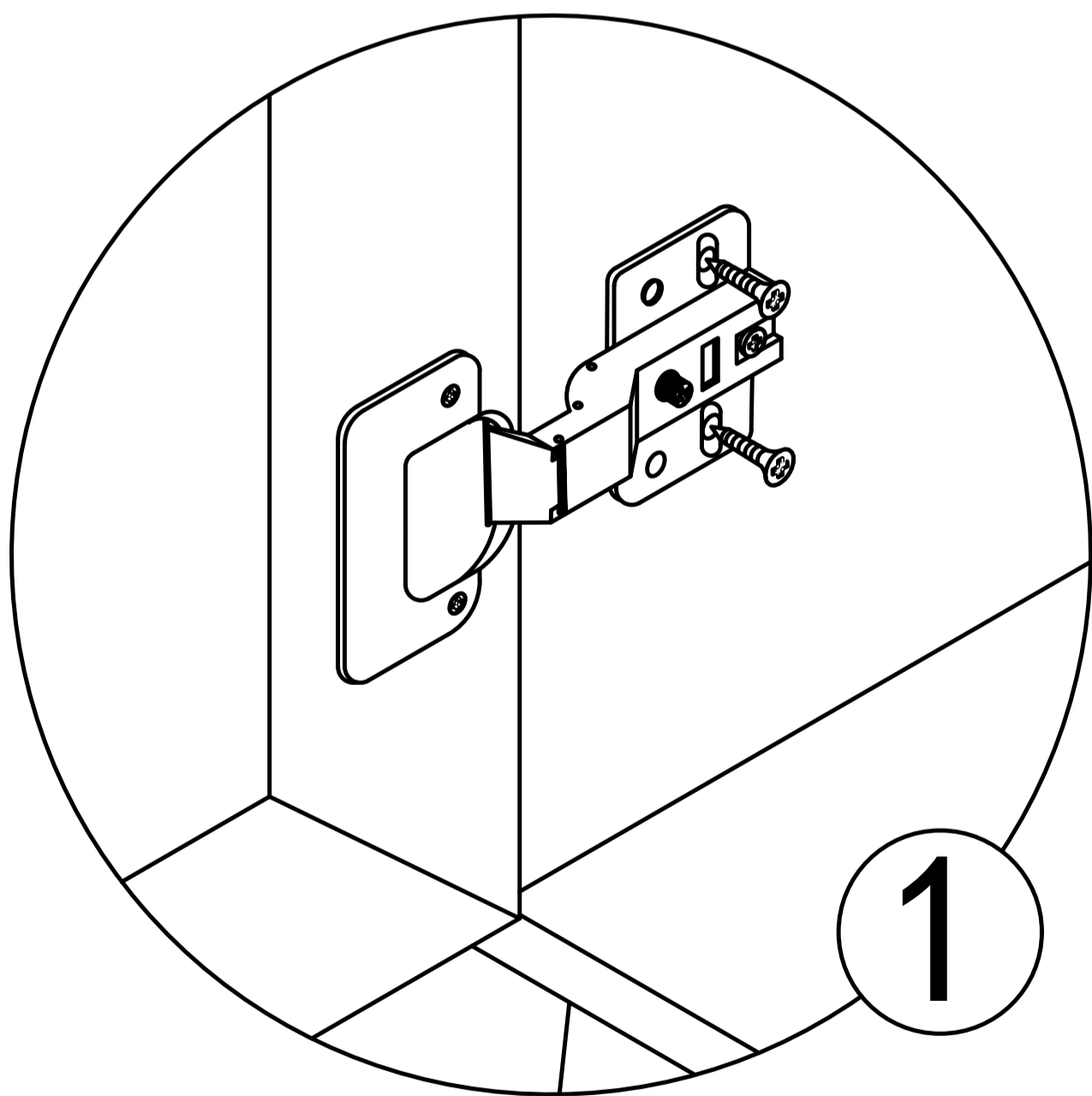
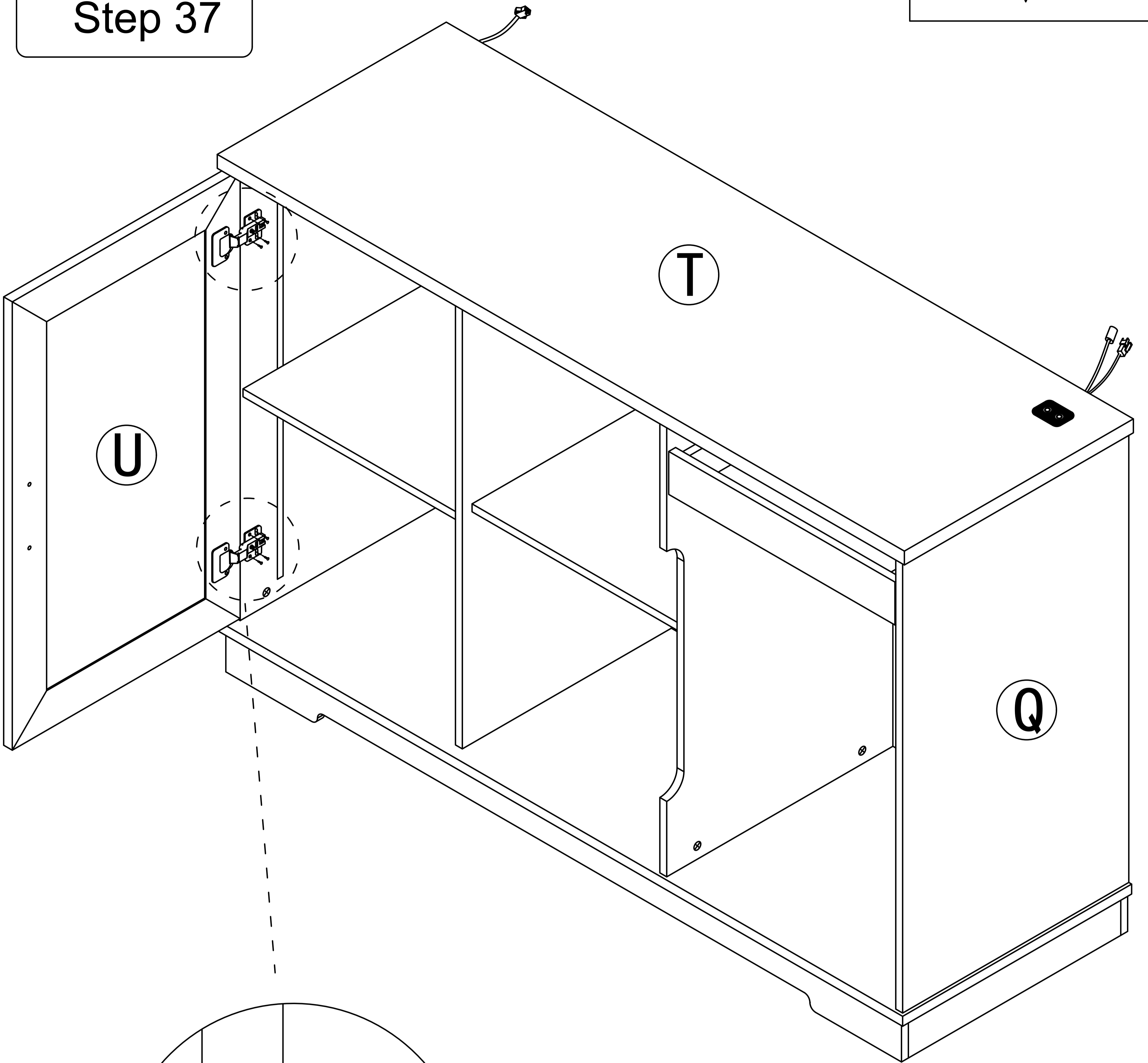
If a large gap is found after installing the drawer the slide rail can be moved up and down to adjust the gap

Step 37

7

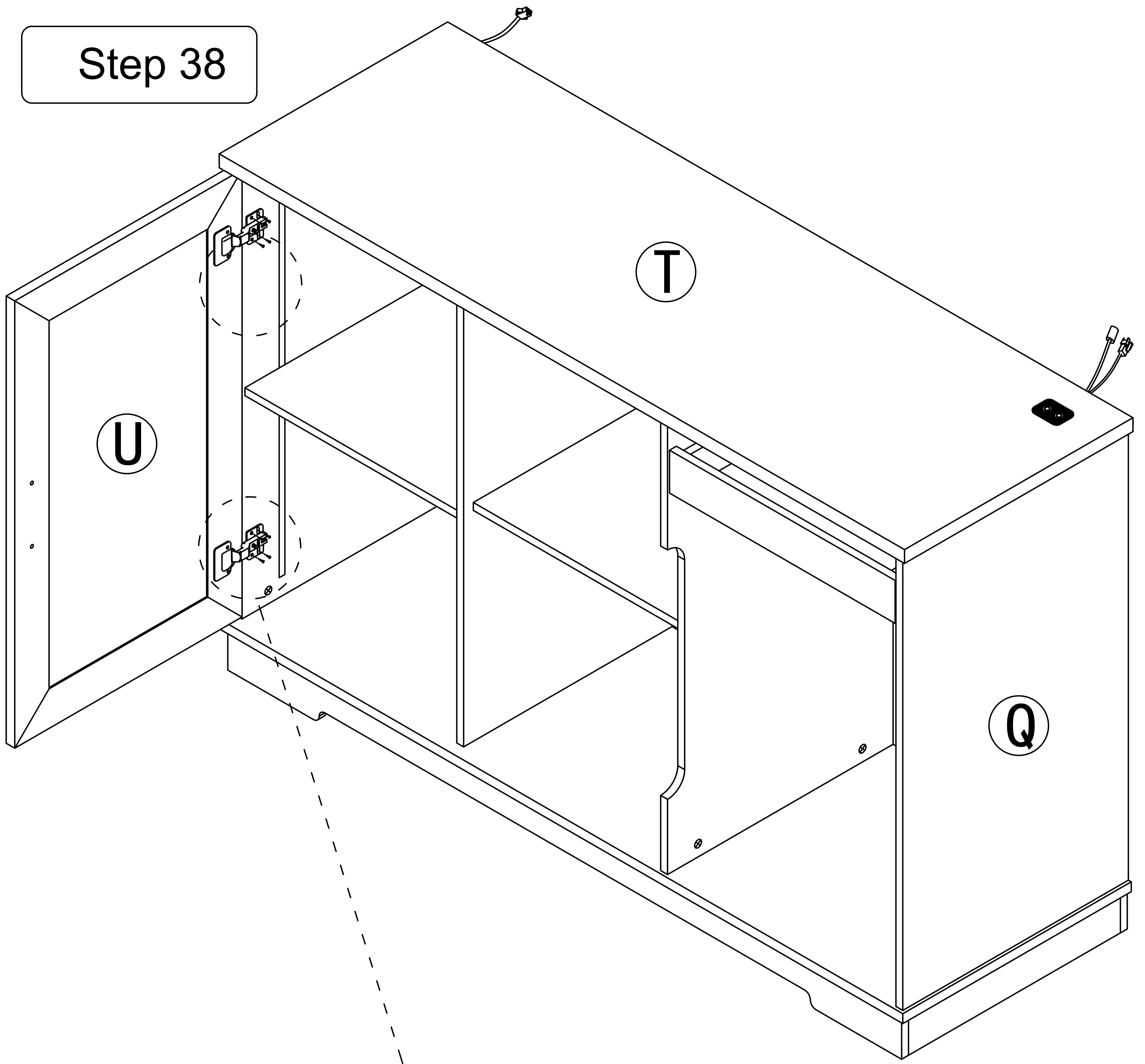


x8

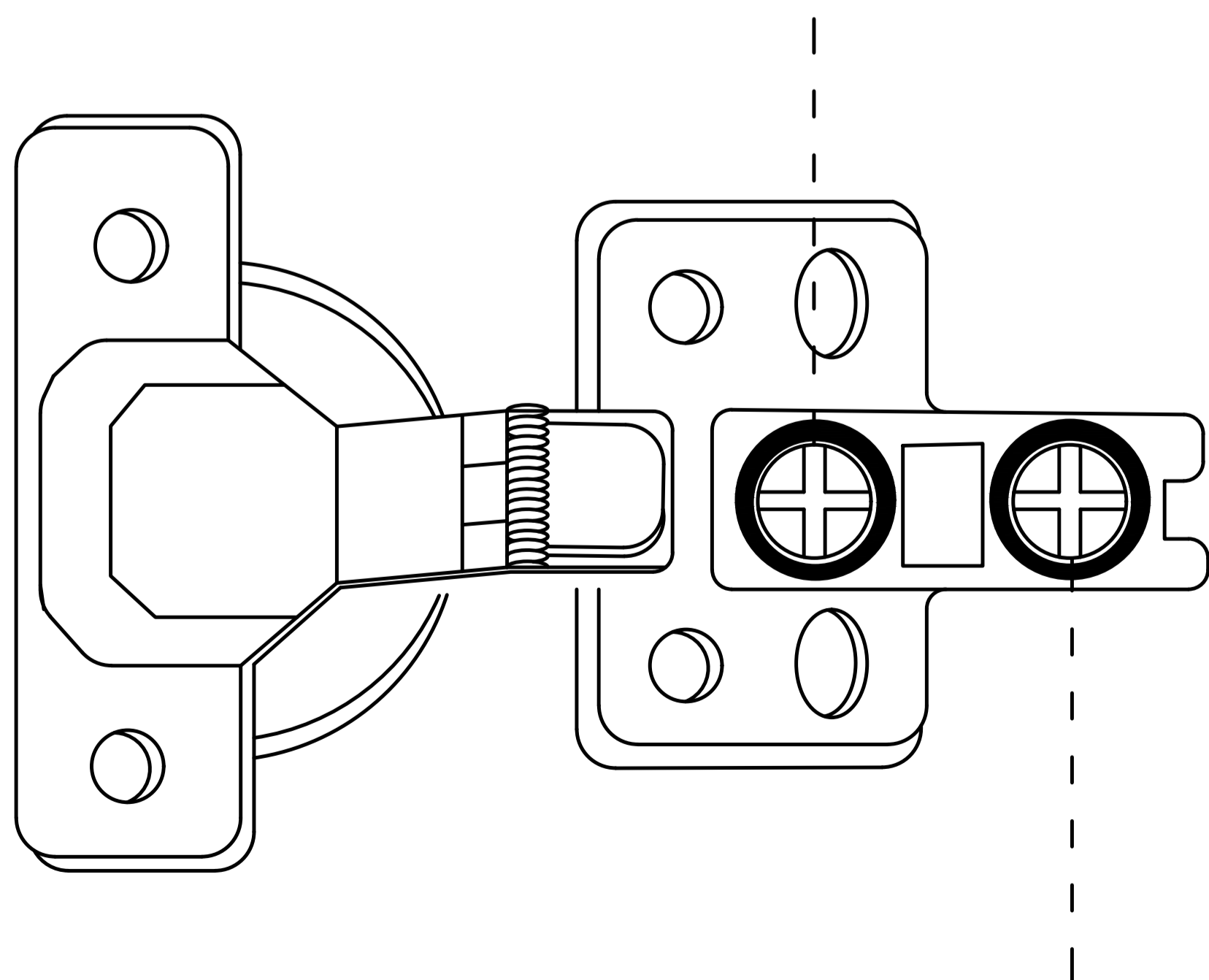


First lock the elliptical hole  
then lock the fixed hole

Step 38

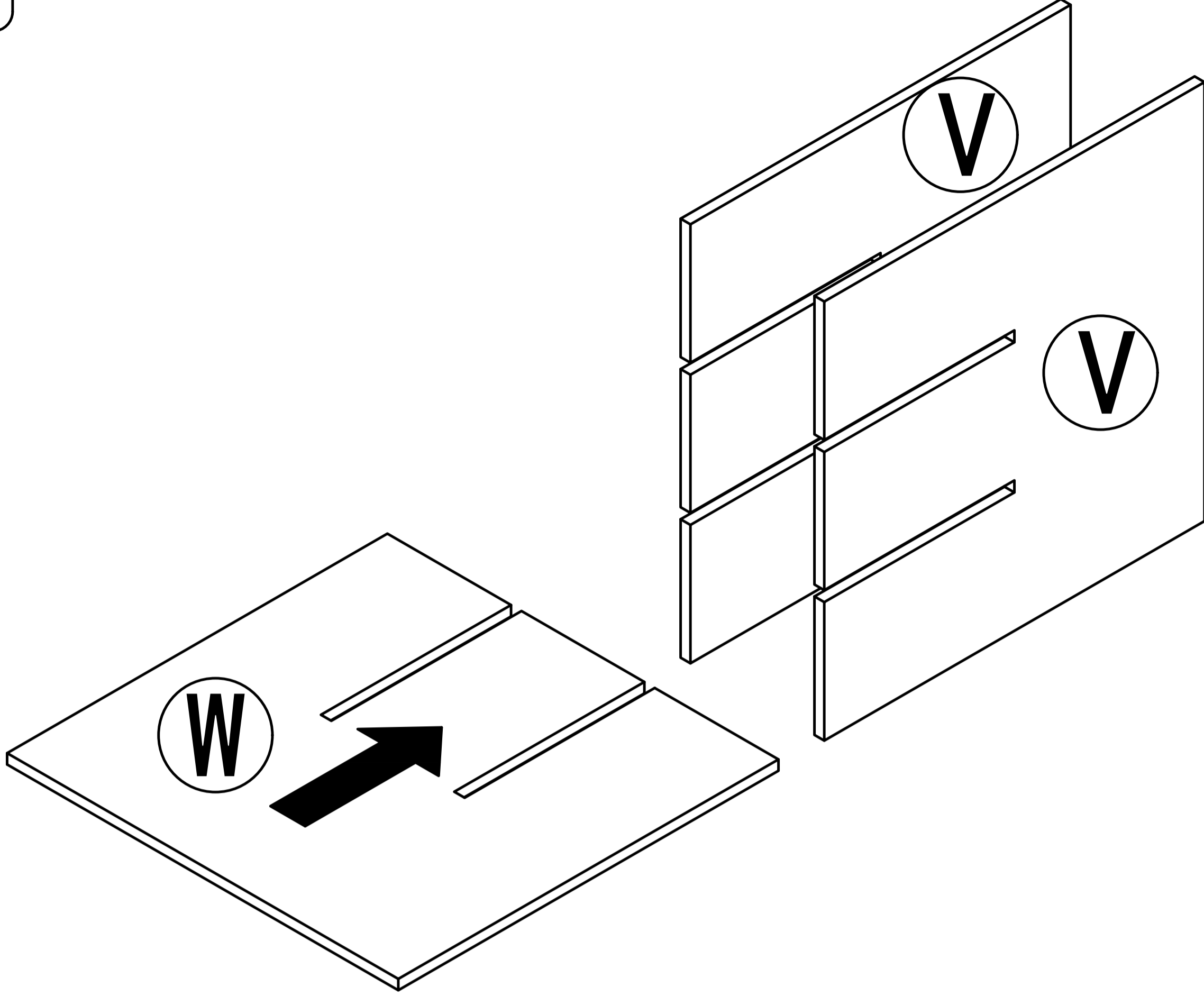


Turning this screw can effectively adjust the size of the door gap.

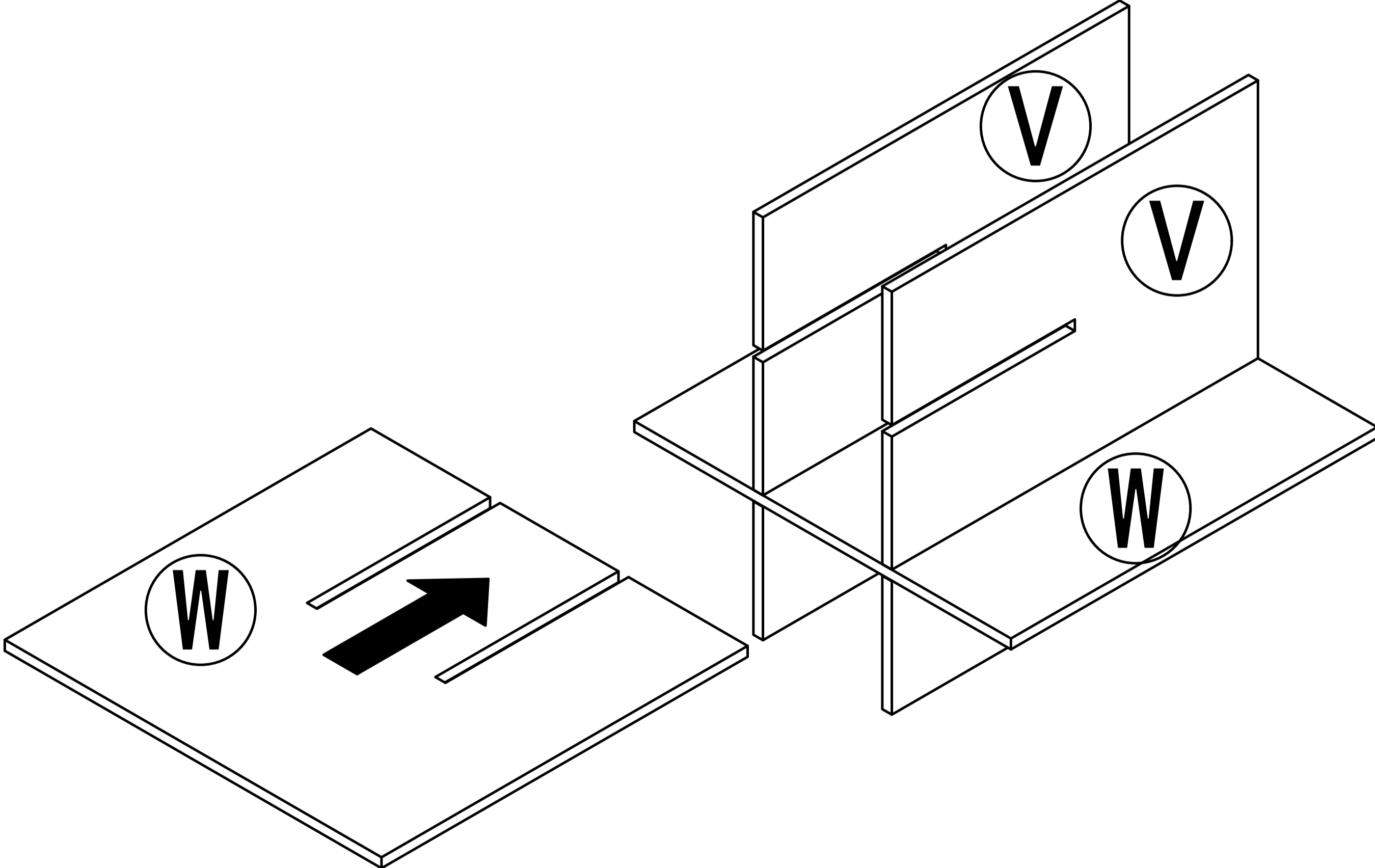


Turn this screw to adjust the door panel to be flat with the side panel.

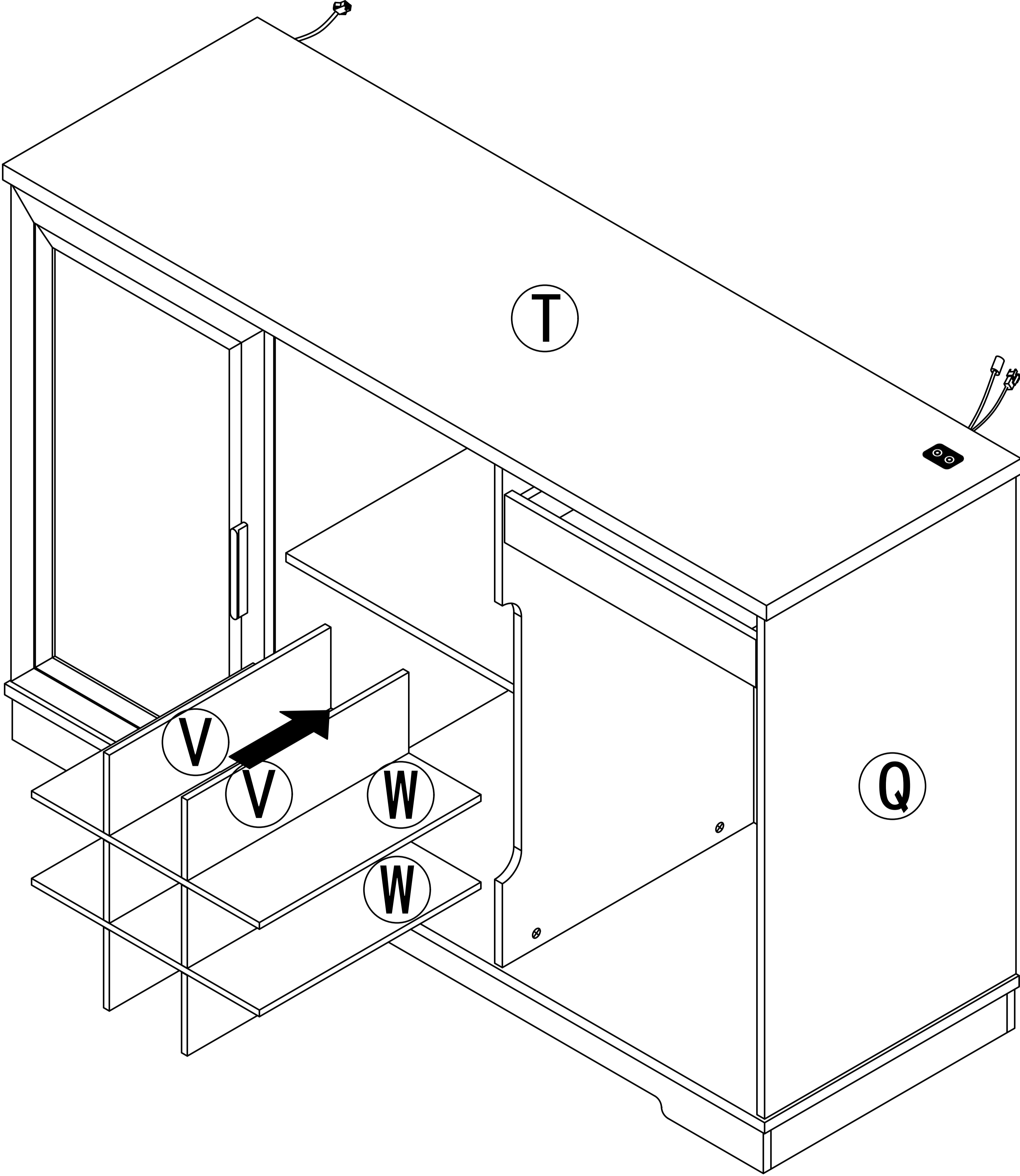
Step 39



Step 40

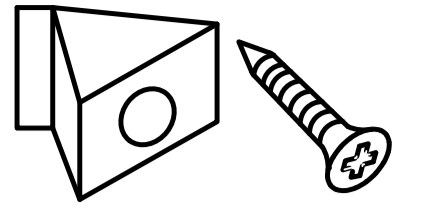


Step 41

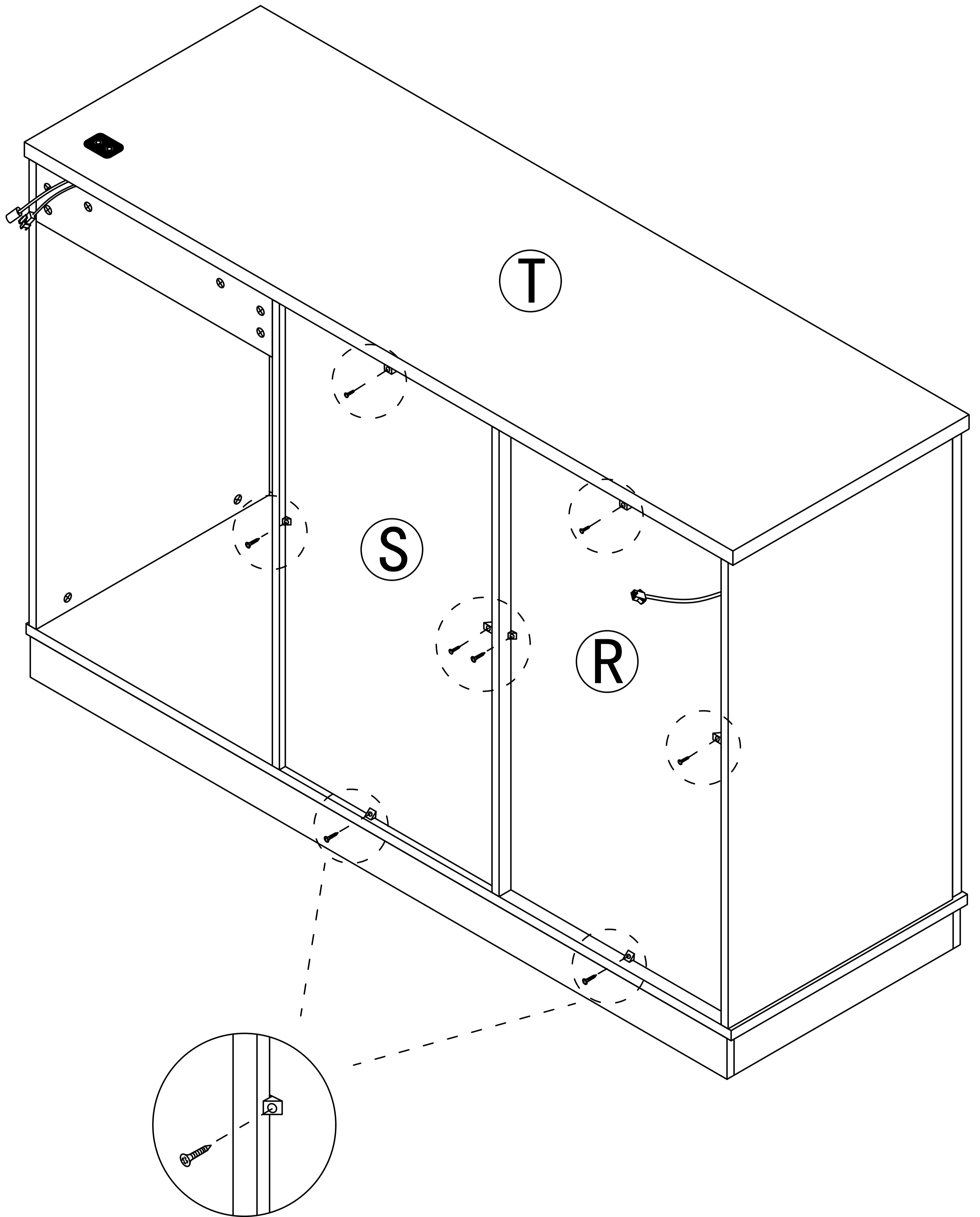


Step 42

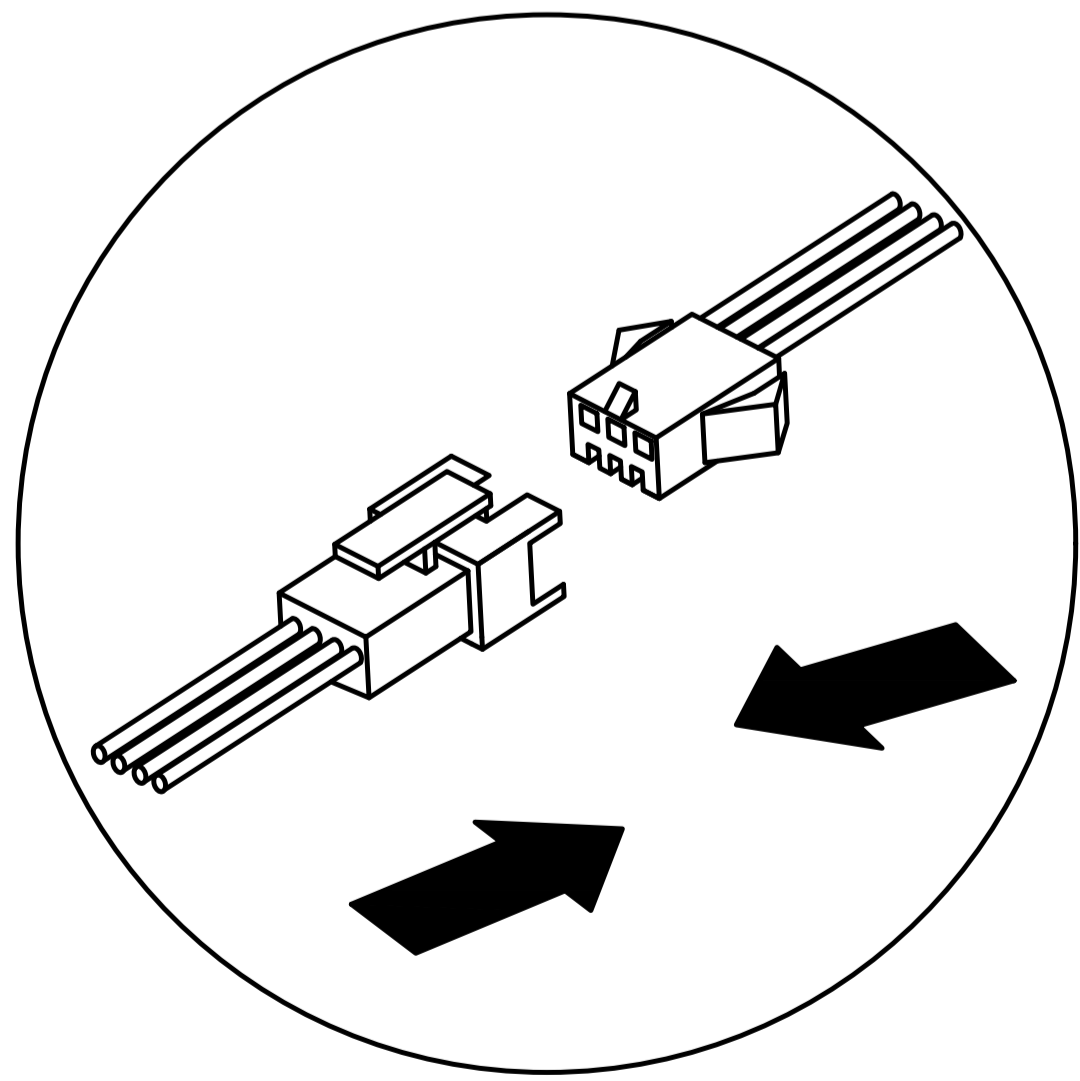
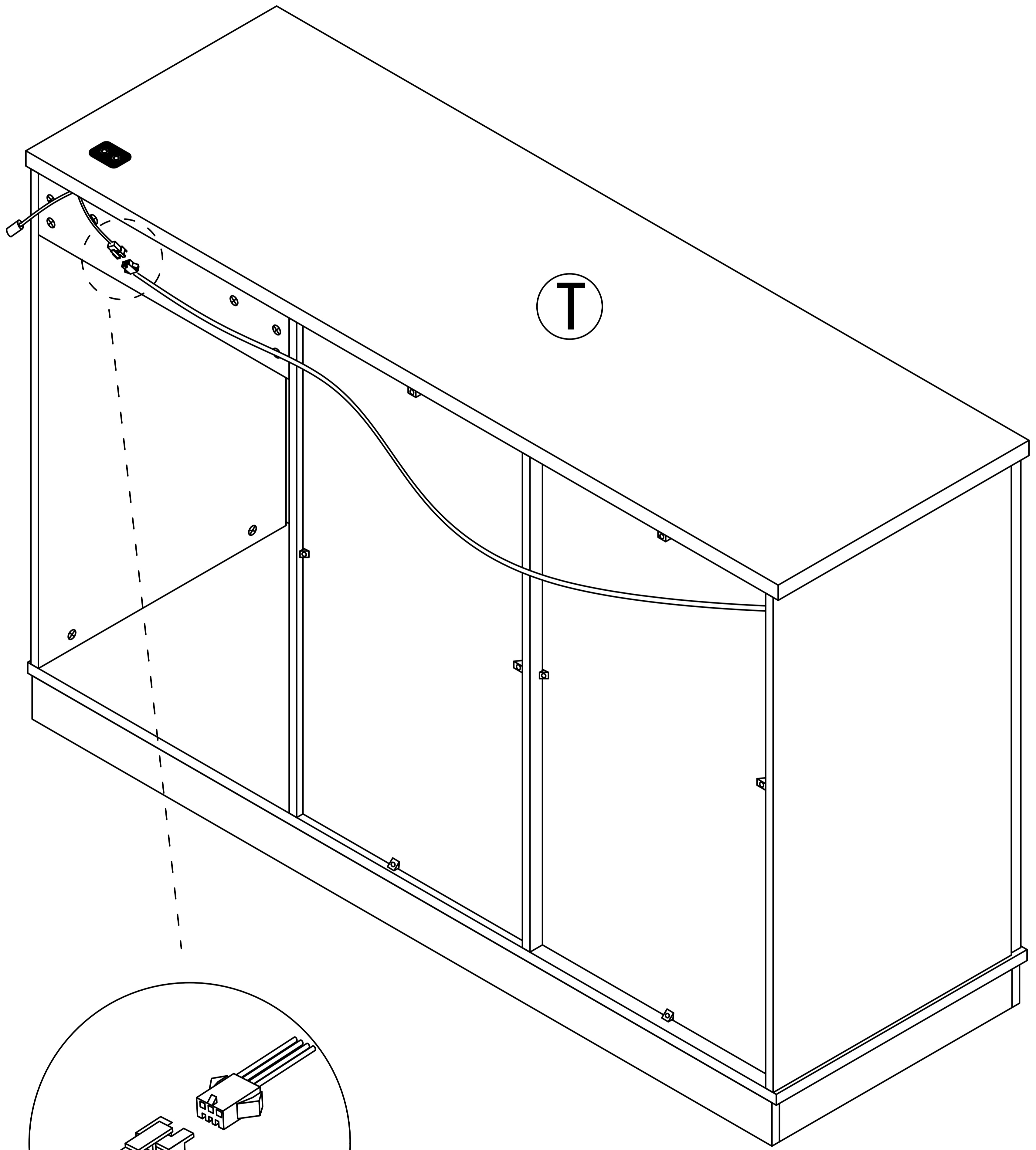
9



x8

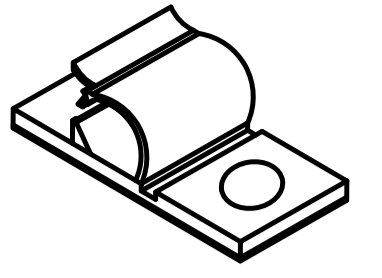


Step 43

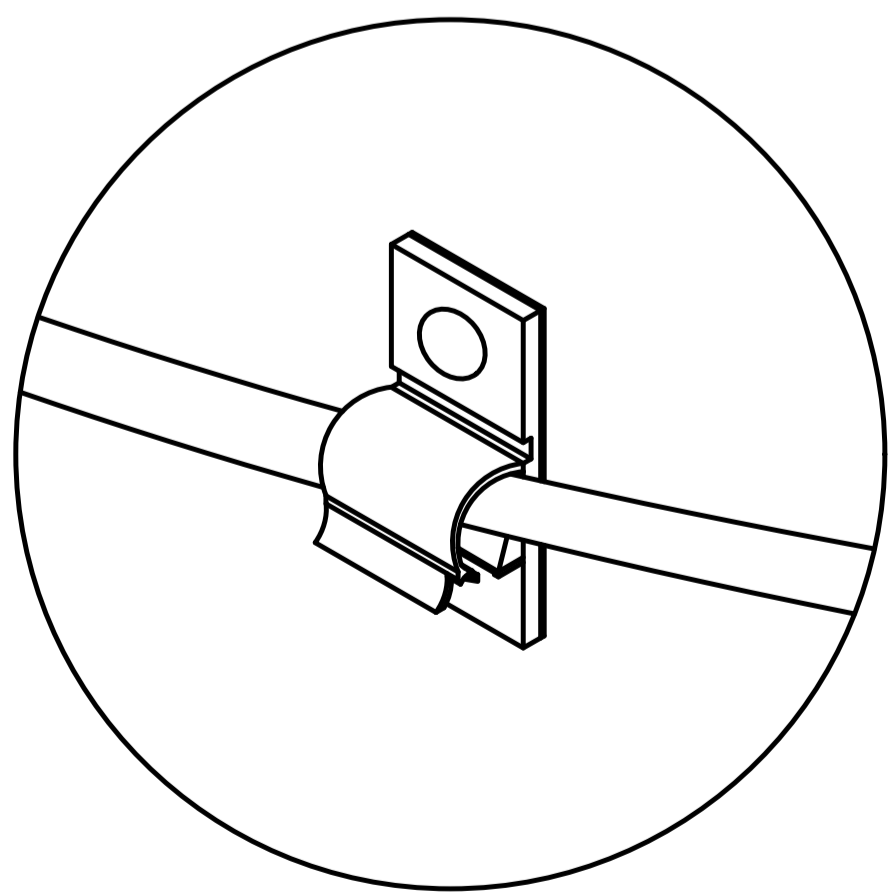
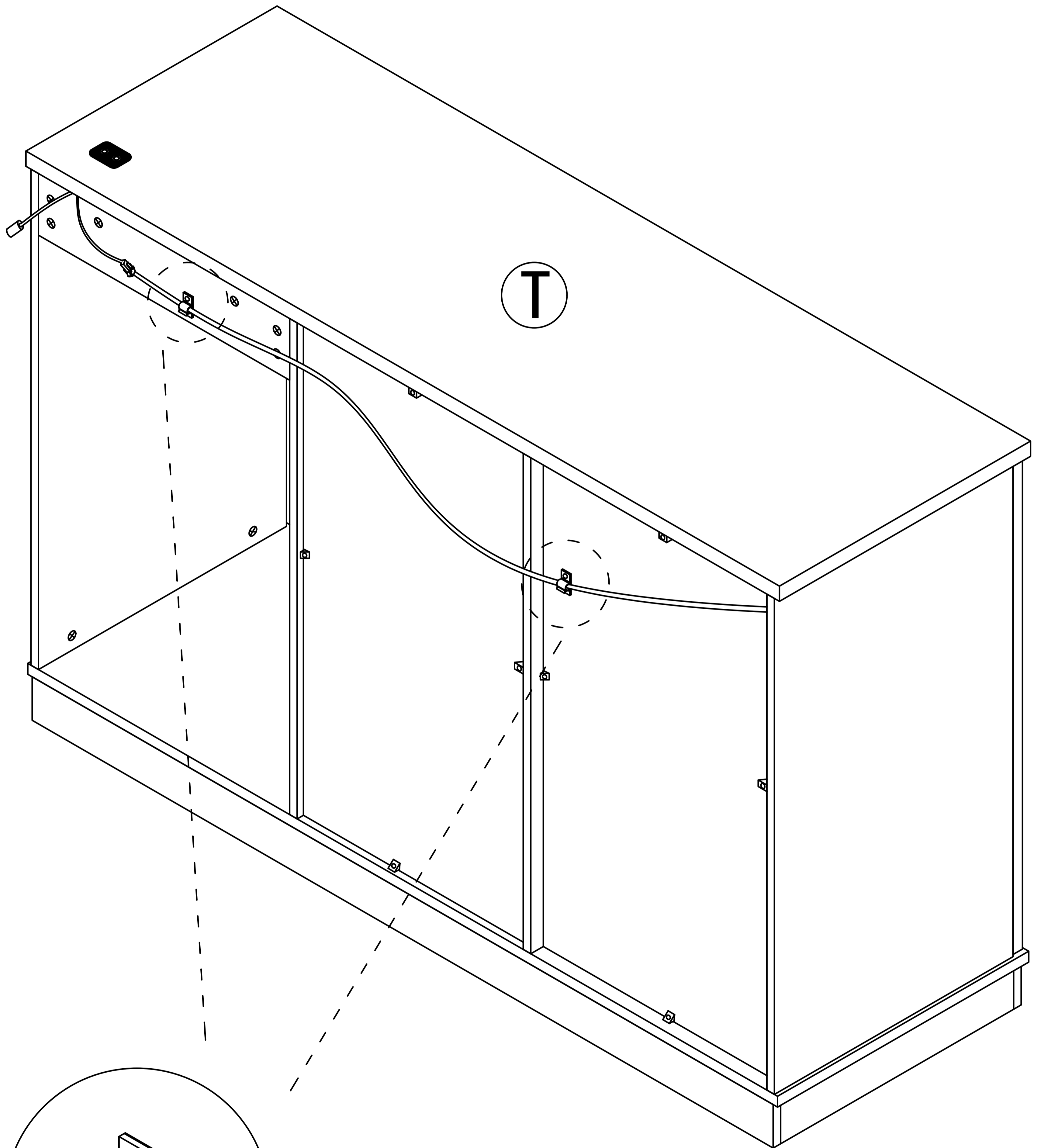


Step 44

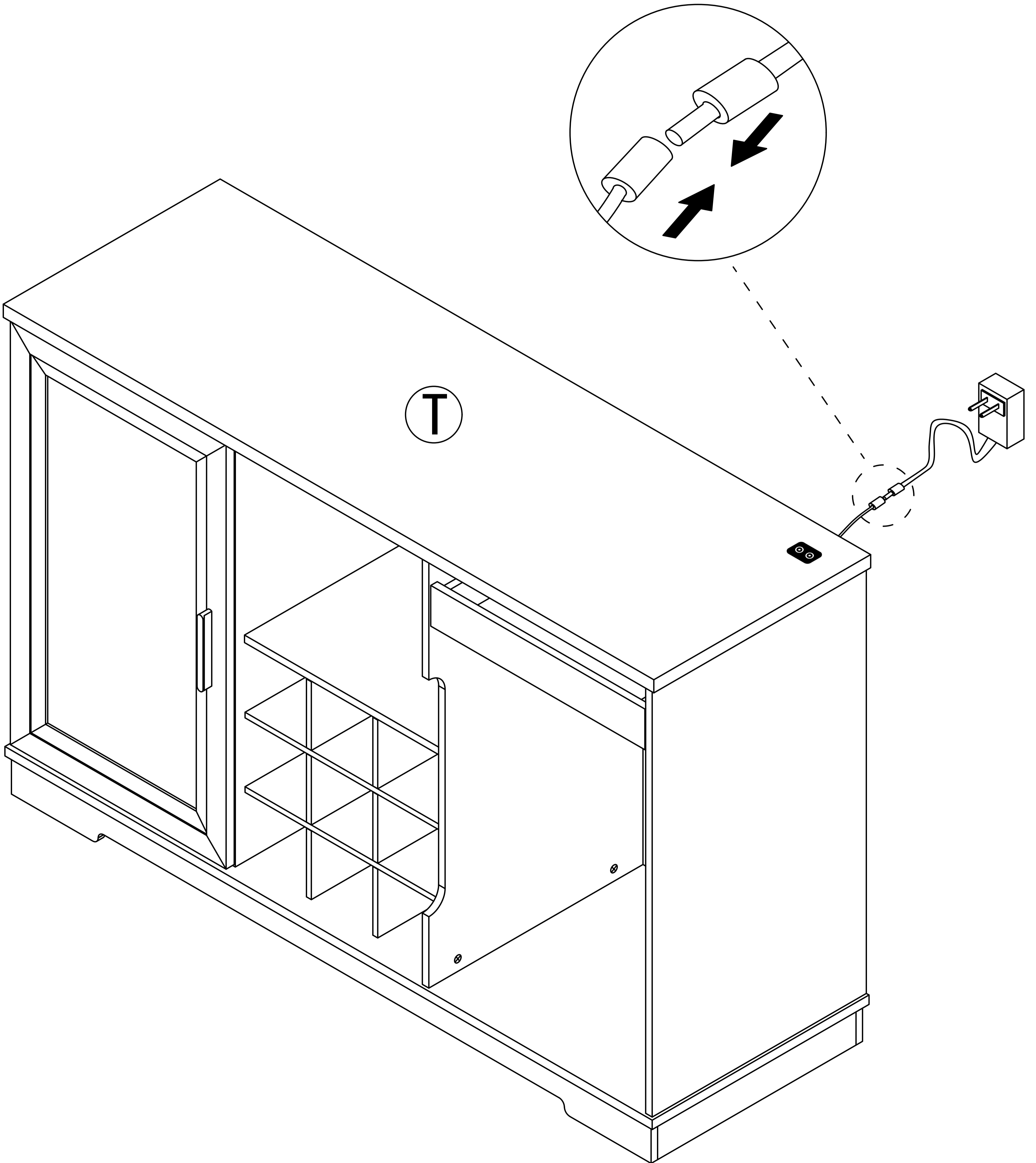
10



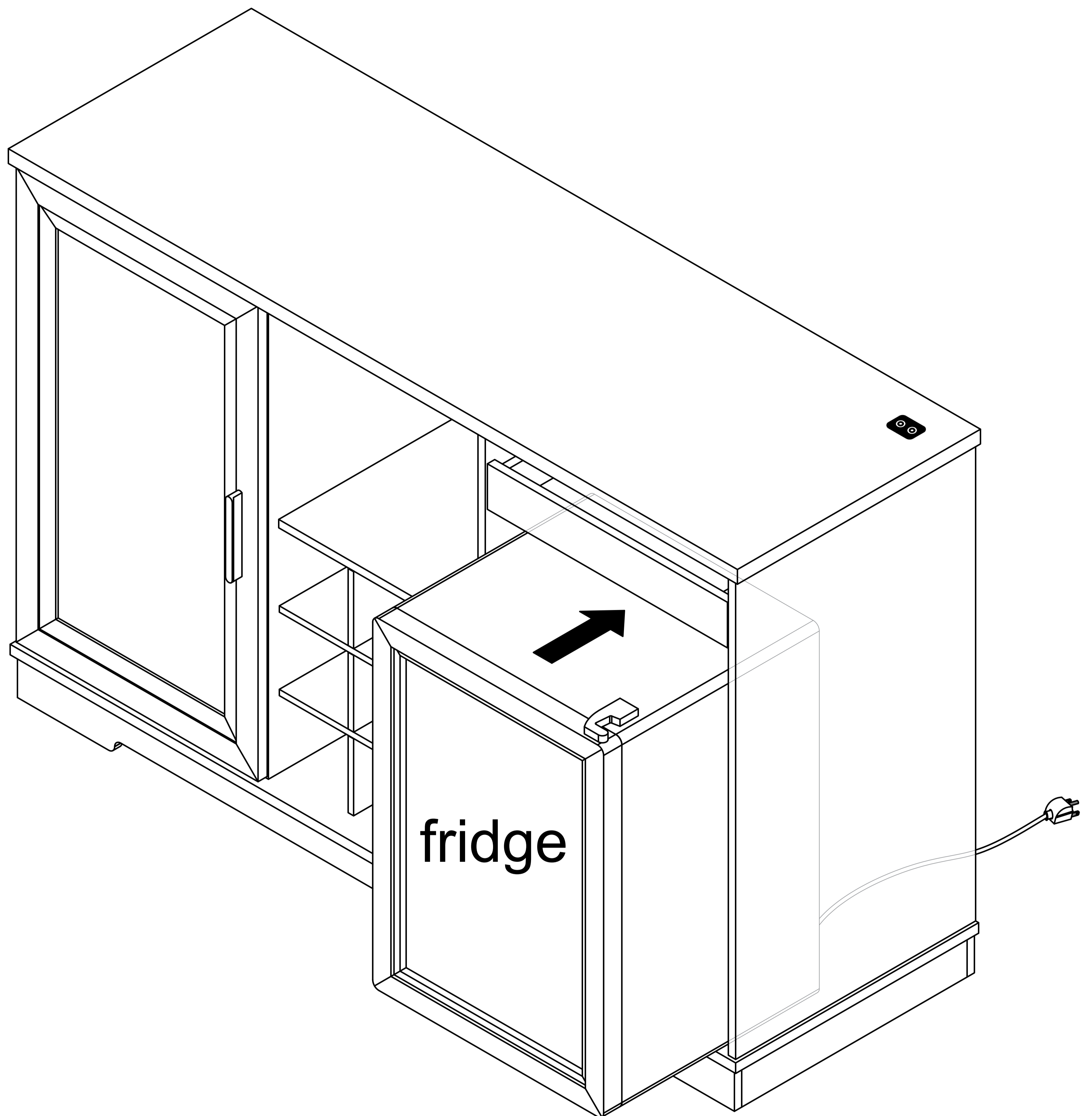
x2



Step 45



Step 46



**Note: After the cabinet is installed, insert the refrigerator into it.**

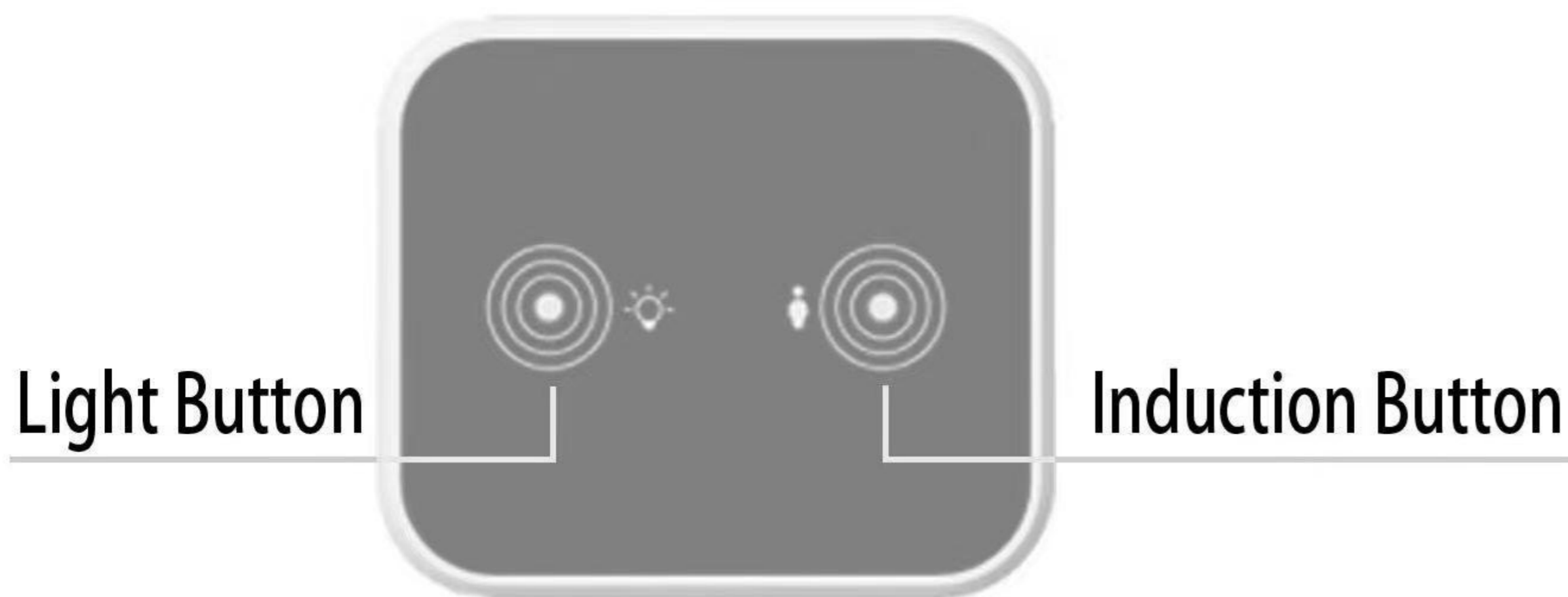
## User's Guide

Thank you for purchasing this product. To use this product, please plug it into a 12V DC power supply. Please use if the product works normally after connecting to power.

## Introduction

The box is an intelligent controller with 2 touch buttons. It can turn ON/OFF the light, change light colors, and adjust the light luminance.

## Product Show



### ATTENTION PLEASE

1. If there is no touch response suddenly, Re-plug the power to reset the touch static electricity.
2. If bubbles appear on the panel, remove the protective film.

## Operation



This touch button is used to turn on/off, change colors, and adjust brightness.

A. Short touch -> lighting on -> short touch -> change light color -> short touch -> change light color -> short touch -> lighting off. B. Long touch -> adjust the luminance



This touch button is used to turn on/off the induction function.

A. Short touch to turn on the induction function. It can auto-turn on the light when people are close to the controller in 1 meters. It can auto power off the light when the body is far away from the controller after 30 seconds.

B. Long touch to turn off the induction function.

C. Note: When you touch the light button to change the light modes, the induction function will automatically turn off. It is best to turn on this function after selecting the light color and adjusting the brightness you want.