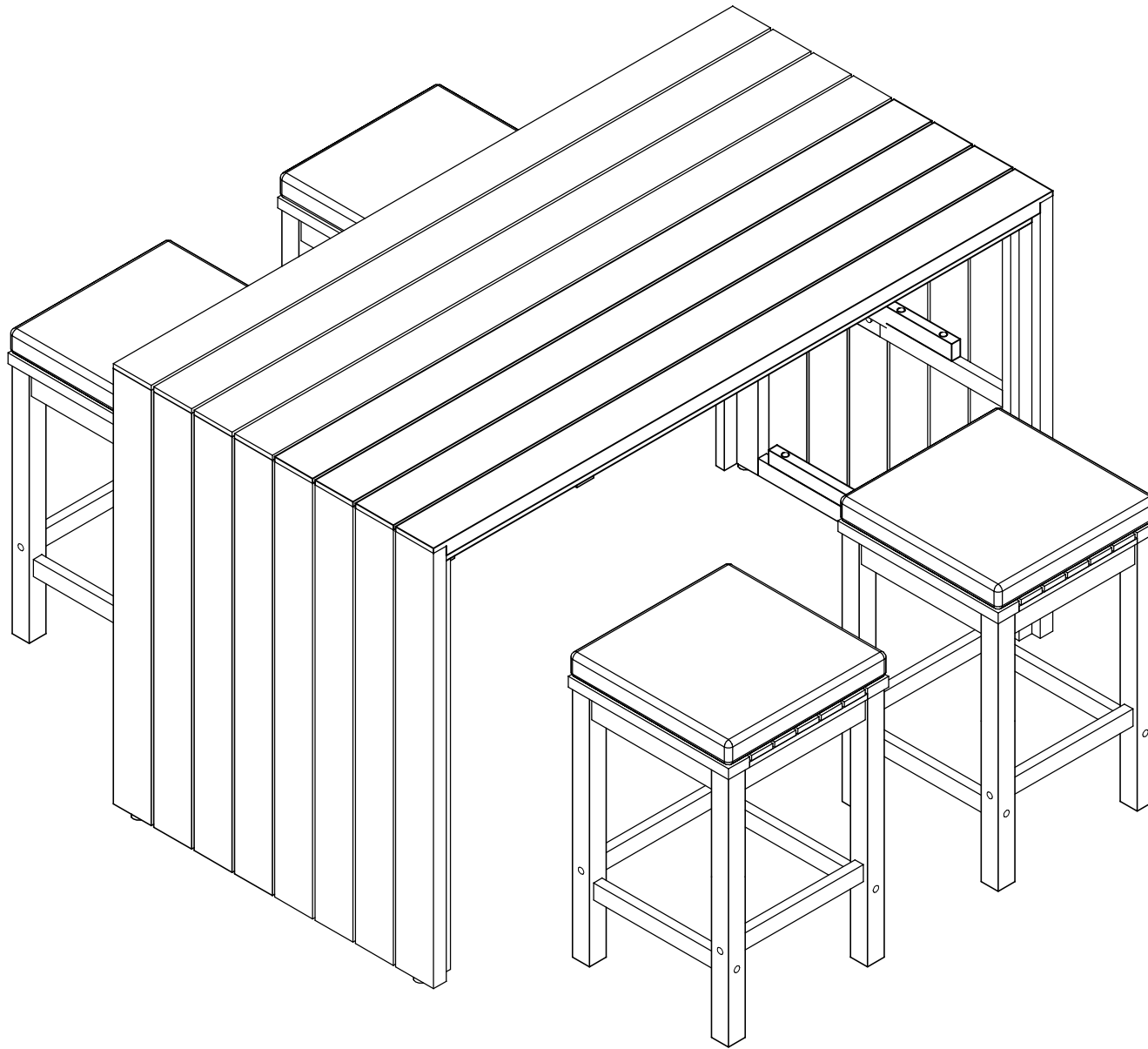
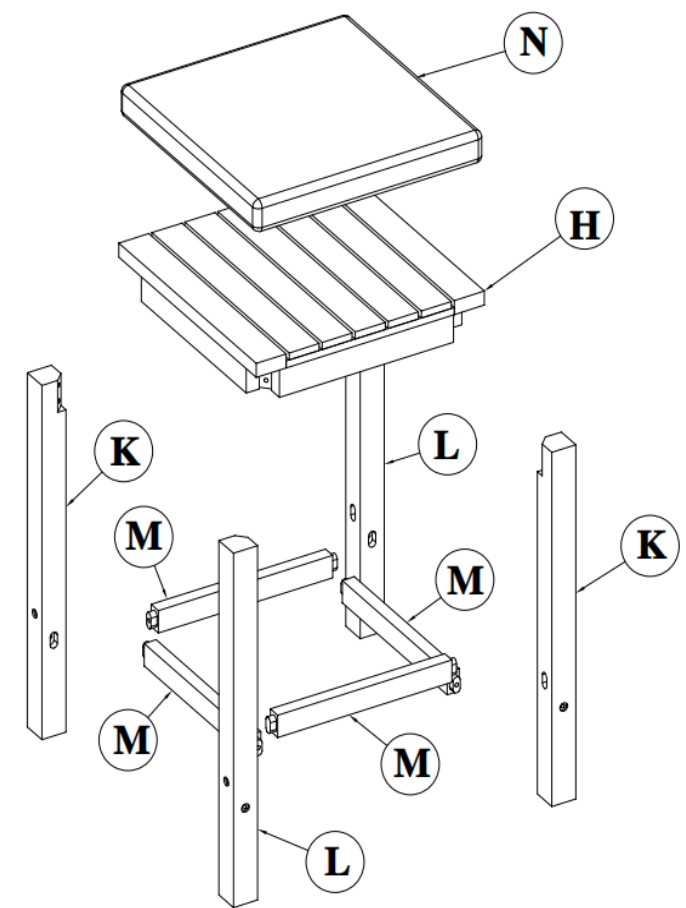
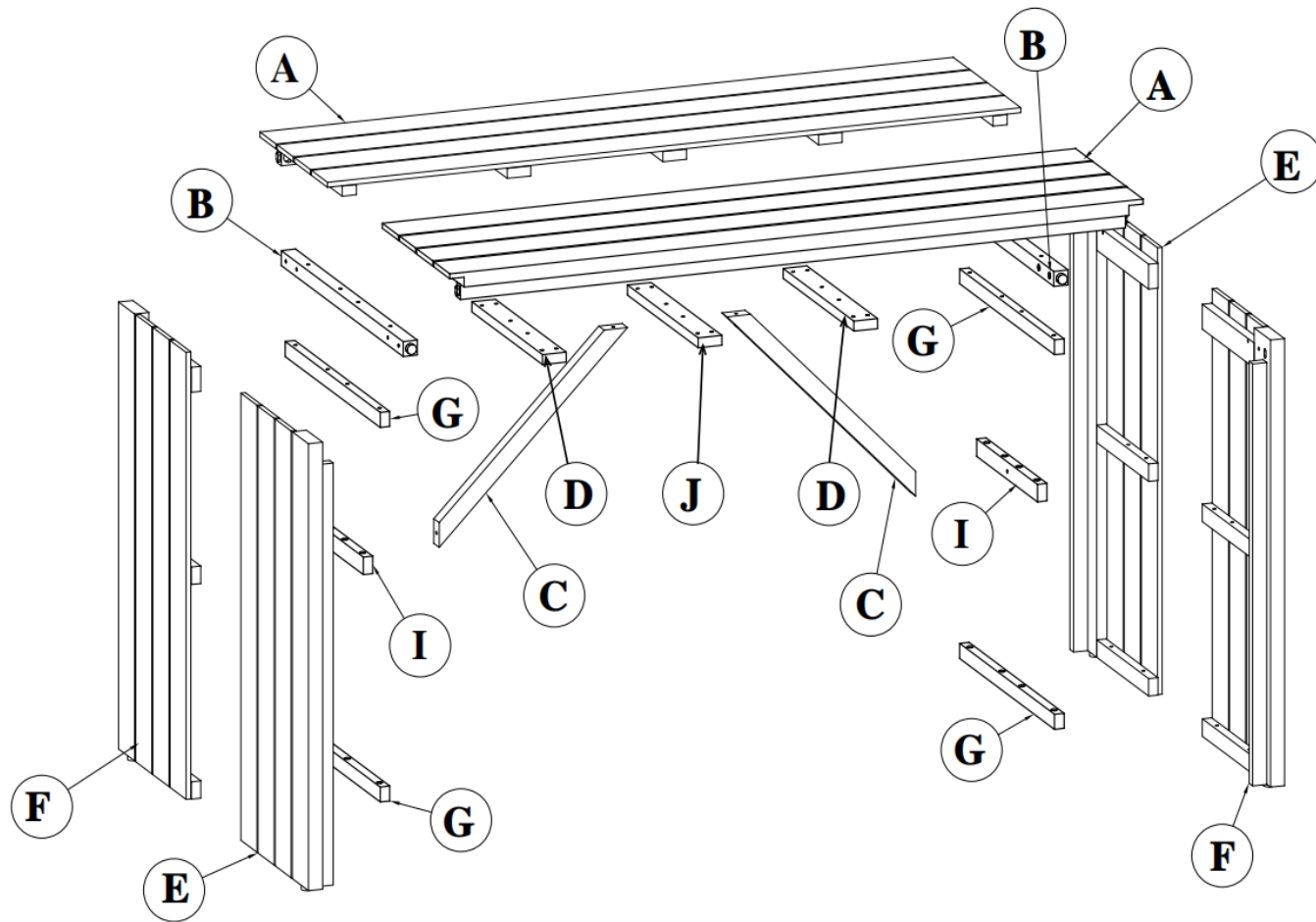


ASSEMBLY INSTRUCTION





Notice :

1. 50% Tighten before fixing all screws, Allen wrench is recommended instead of an electric drill.
2. Place the item on a flat ground to adjust and make sure it remains stable.
3. Tighten up all screws with tools gradually.
4. If the screws are not aligned with holes during assembly, please loosen all the other screws to 50% and continue the assembly process.
5. If the item is not stable, please loosen all the screws, adjust it on a flat ground and tighten up all screws again.
6. Note : If one or some screws are fully tightened during assembly, chances are the others will not be aligned with holes. In addition, all the holes are designed to be relatively larger to provide more space for the adjustment of the screws.

Part List :

A

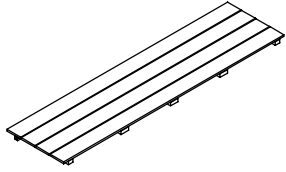
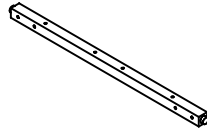


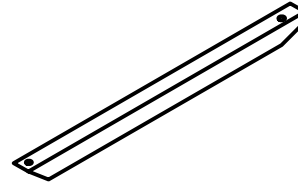
Table top (2pcs)

B



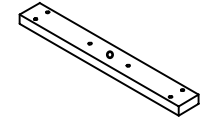
Support table top (2pcs)

C



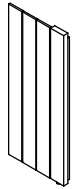
Support 2 leg (2pcs)

D



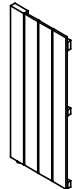
Support middle 1 table top (2pcs)

E



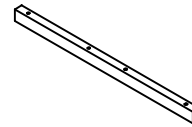
Right Leg table (2pcs)

F



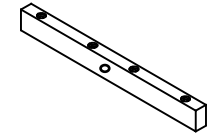
Left Leg table (2pcs)

G



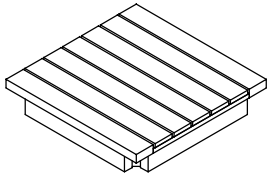
Support side leg (4pcs)

I



Support middle leg (2pcs)

H



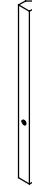
Seat chair (4pcs)

K



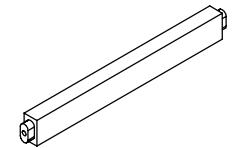
Left leg chair (8 pcs)

L



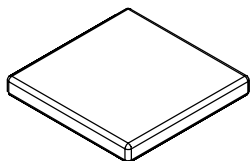
Right leg chair (8 pcs)

M



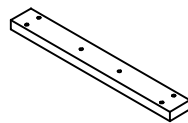
Support leg chair (16 pcs)

N



Cushion chair (4pcs)

J



Support middle 2 table top (1pcs)

Hardware List :

1



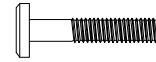
Allen Bolt M6*40mm (32 PCS)
extra 3 pcs

2



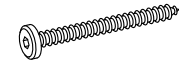
Allen Bolt M6*45mm (16 PCS)
extra 2 pcs

3



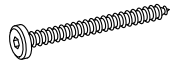
Allen Bolt M6x35mm (22 pcs)
extra 2 pcs

4



Screw M6 X 45 mm (24 pcs)
extra 2 pcs

5



Screw M6 X 60 mm (32 pcs)
extra 3 pcs

6



Spring Washer (32 pcs)
extra 3 pcs

7



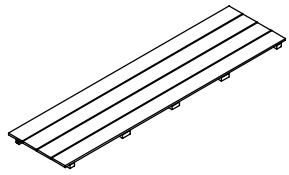
Flat Washer (32 pcs)
extra 3 pcs

8

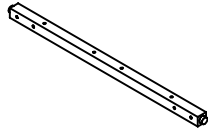


Allen Key (1 pc)

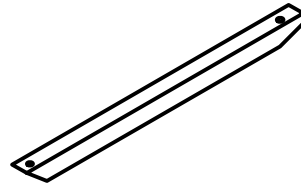
CARTON CONTENT



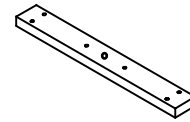
AX 2



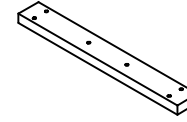
BX 2



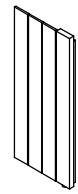
CX 2



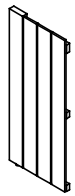
DX 2



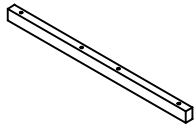
JX 1



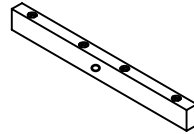
EX 2



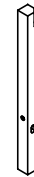
FX 2



GX 4



IX 2



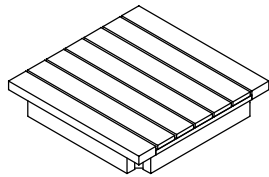
KX 8



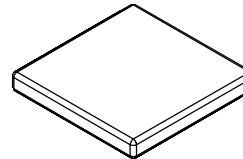
LX 8



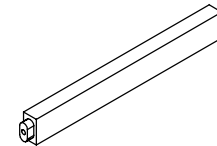
Hardware



HX 4



NX 4

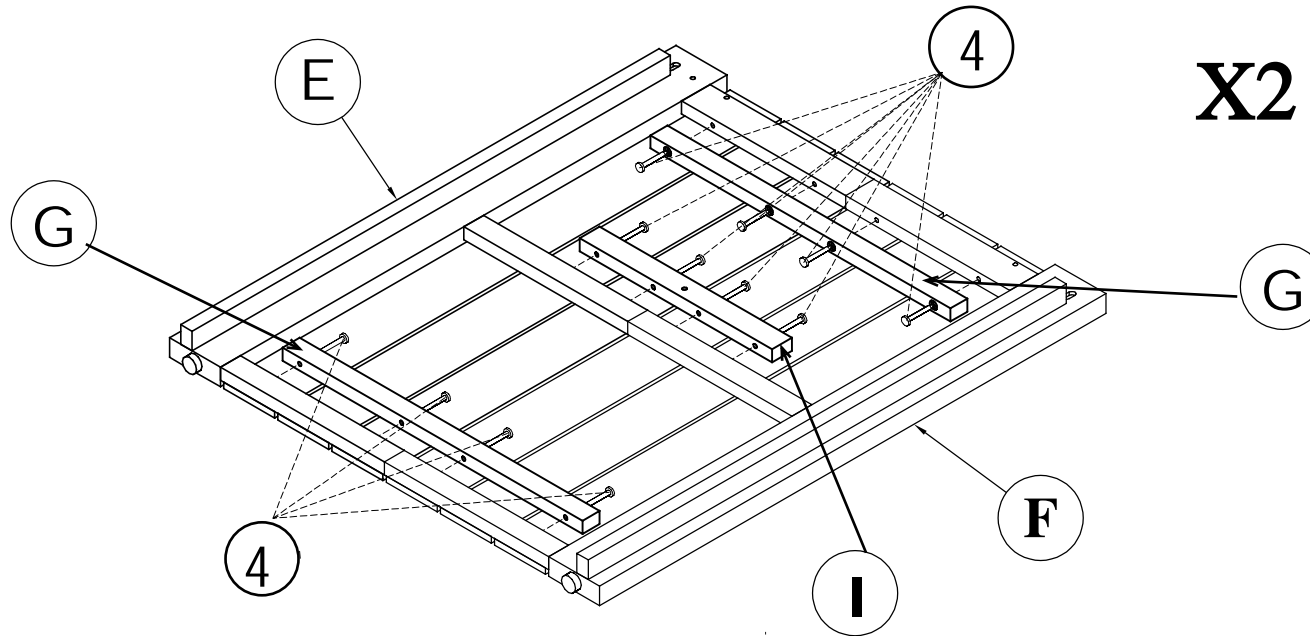


MX 16

ASSEMBLY INSTRUCTION

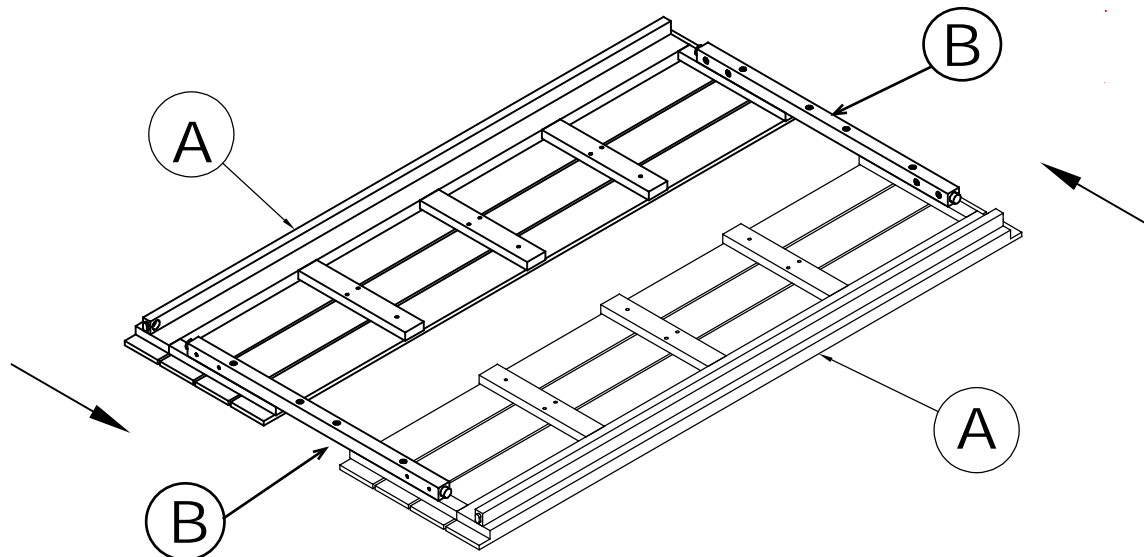
STEP 1

| |
|--------|
| E x 1 |
| F x 1 |
| G x 2 |
| I x 1 |
| ④ x 12 |



STEP 2

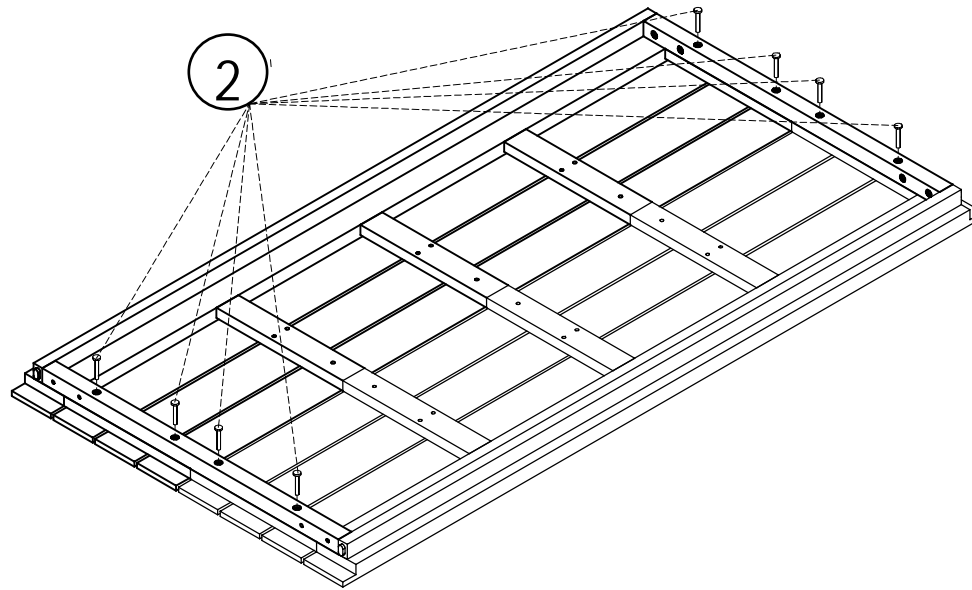
| |
|-------|
| A x 2 |
| B x 2 |



ASSEMBLY INSTRUCTION

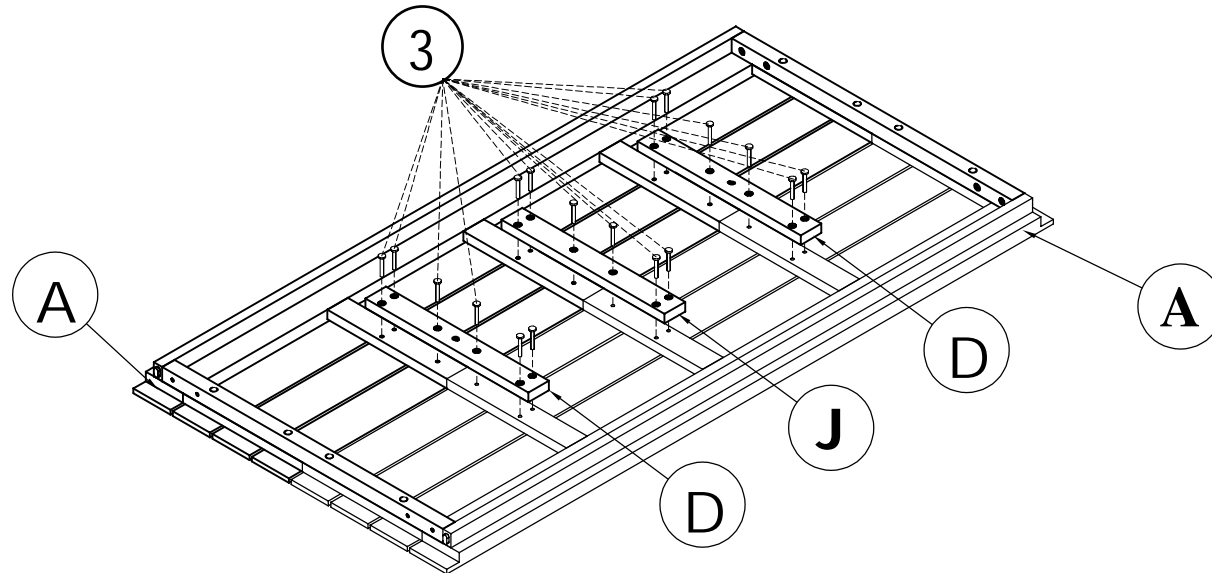
STEP 3

② x 8



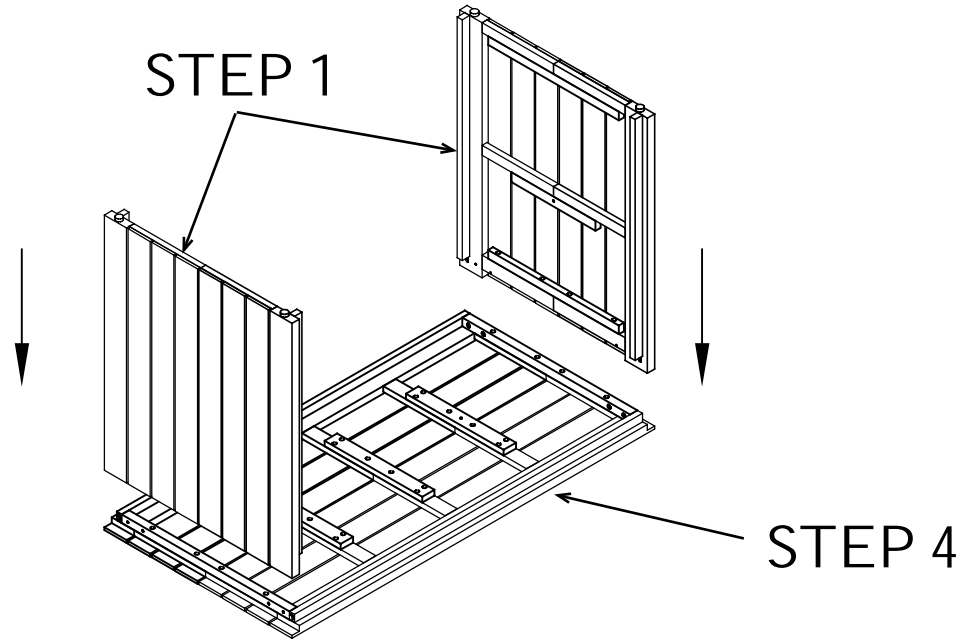
STEP 4

D x 2
J x 1
③ x 18



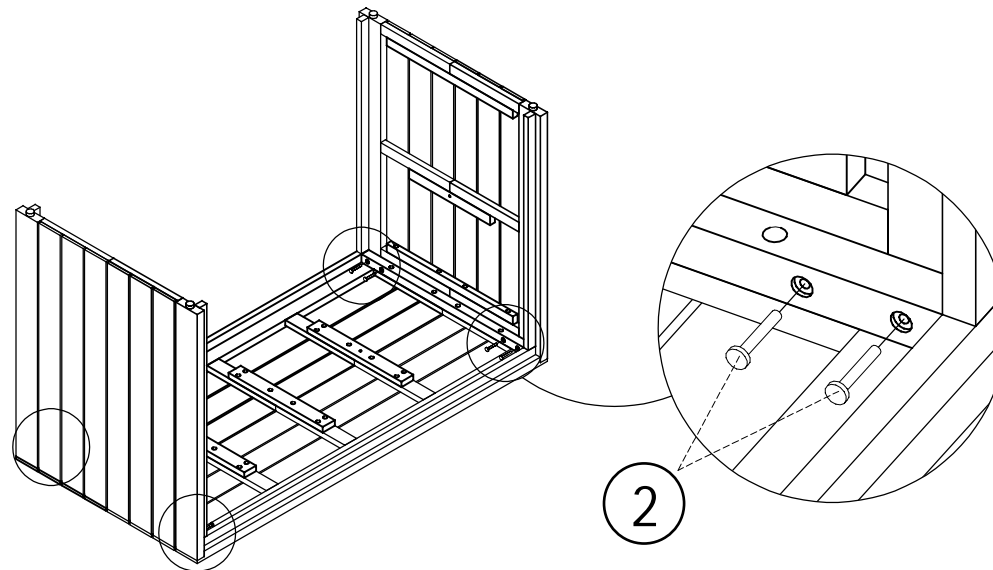
ASSEMBLY INSTRUCTION

STEP 5



STEP 6

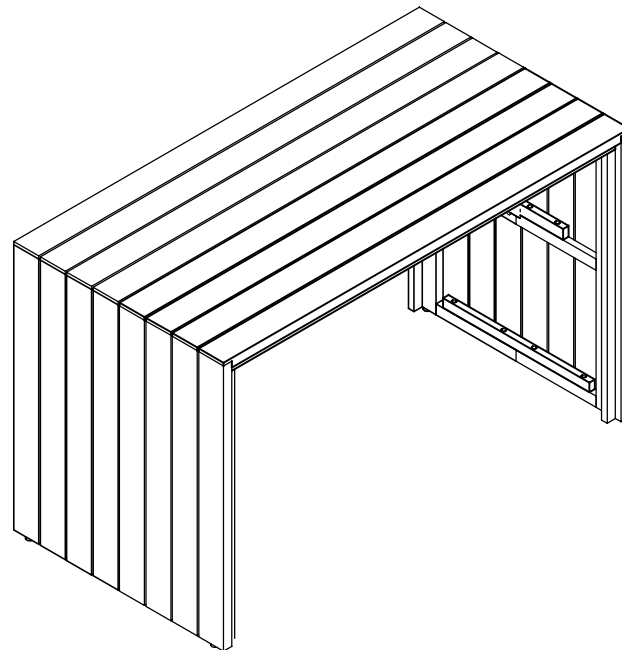
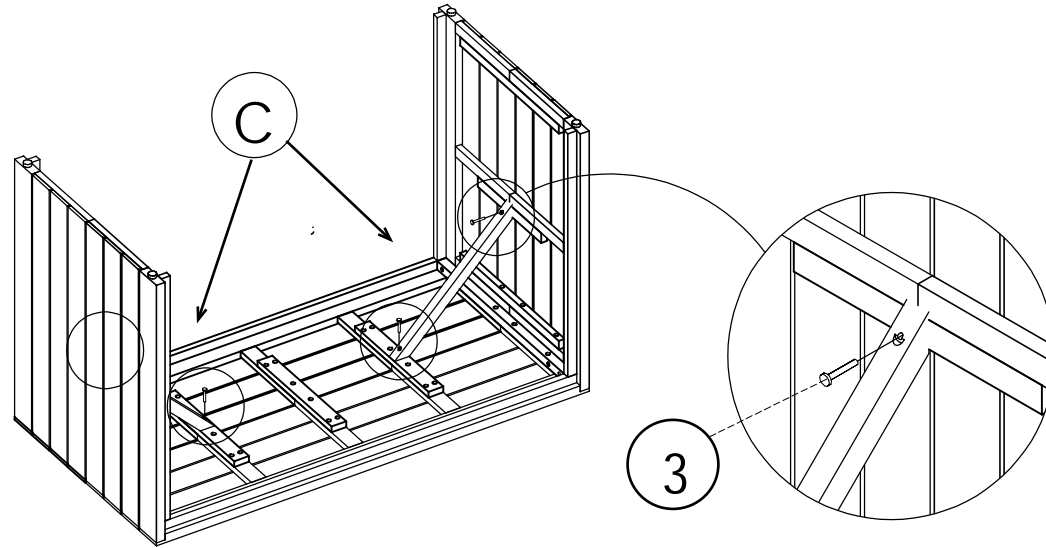
2 x 8



ASSEMBLY INSTRUCTION

STEP 7

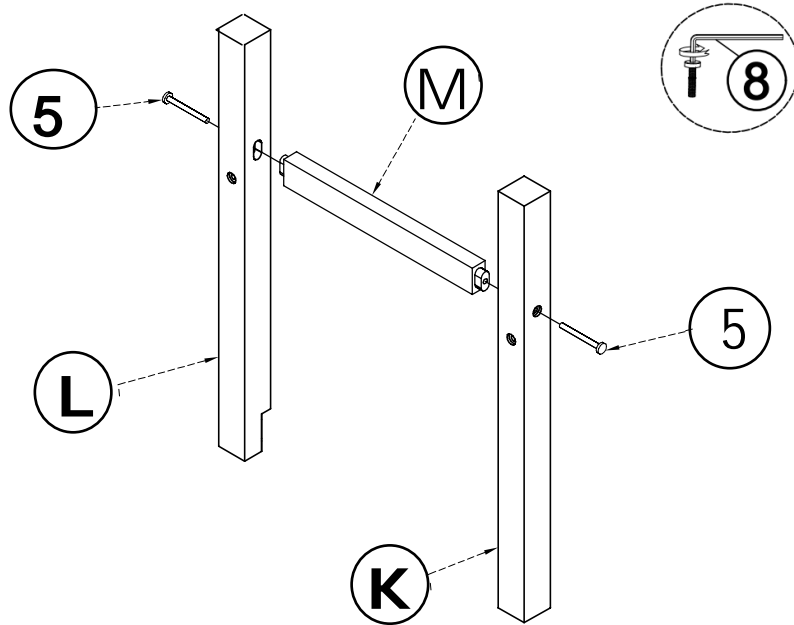
| |
|-------|
| C x 2 |
| ③ x 4 |



ASSEMBLY INSTRUCTION

STEP 8

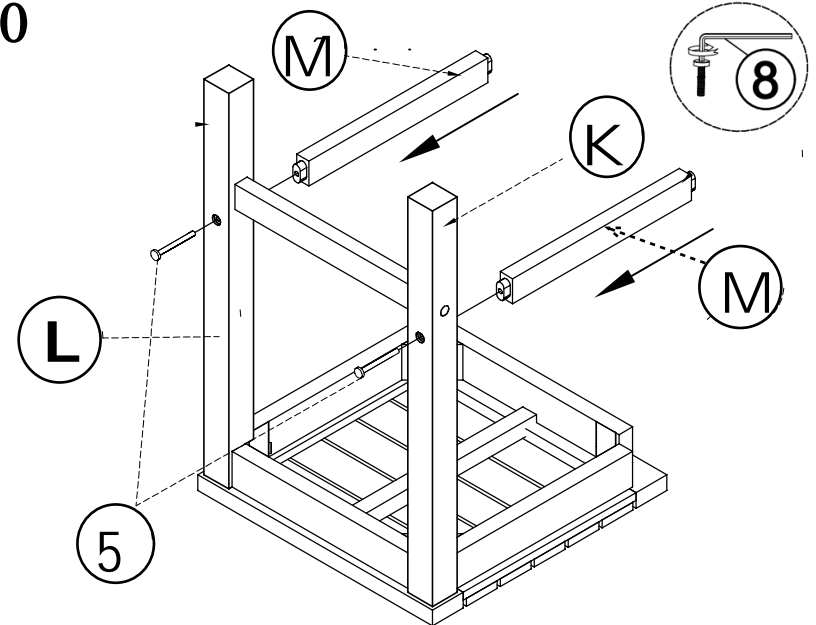
- K x 1**
- L x 1**
- M x 1**
- 5 x 2**



X8

STEP 10

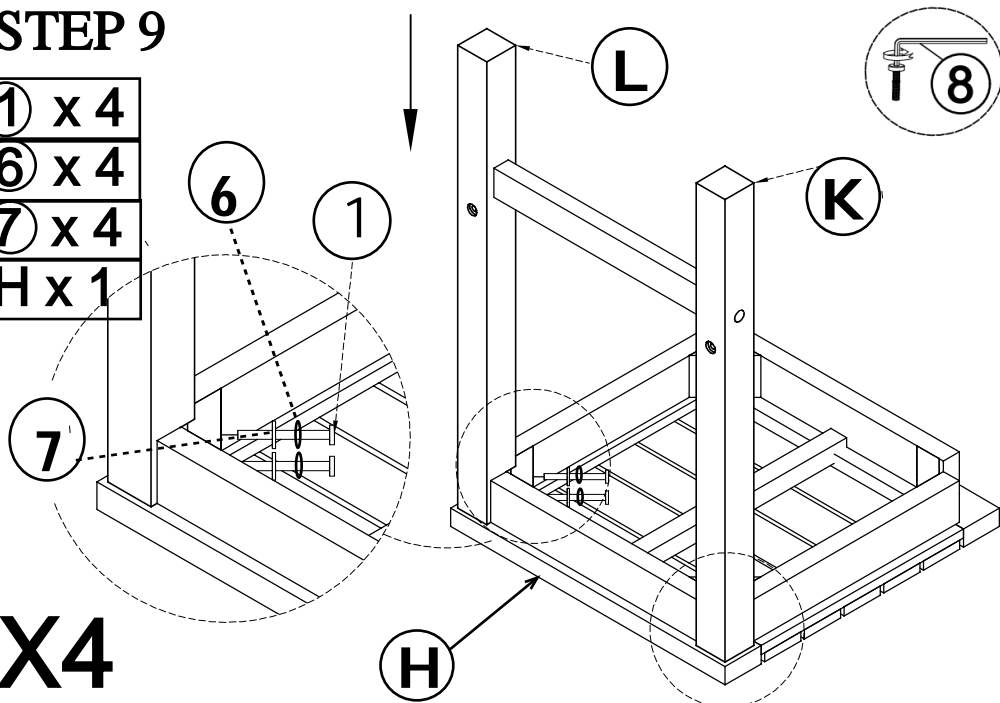
- M x 2**
- 5 x 2**



X4

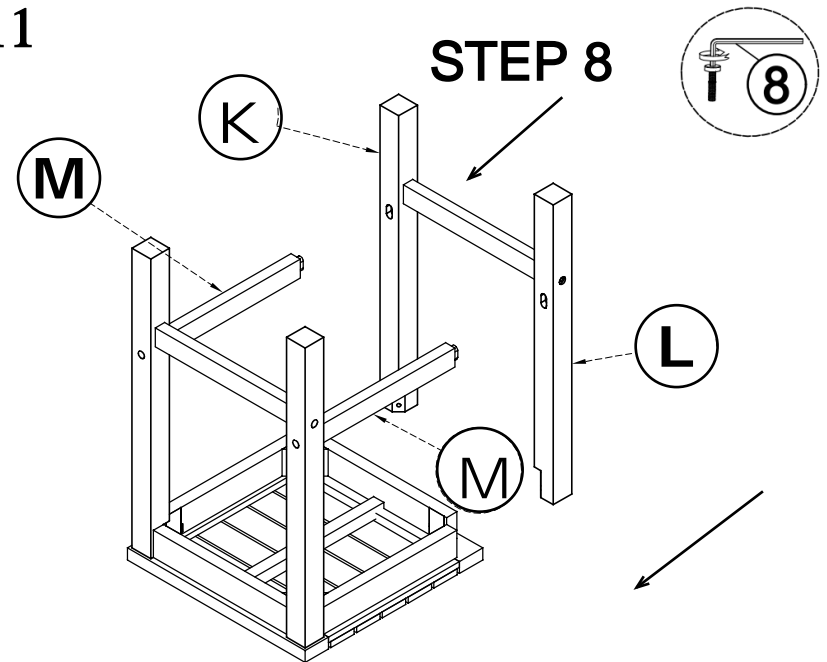
STEP 9

- 1 x 4**
- 6 x 4**
- 7 x 4**
- H x 1**



X4

STEP 11

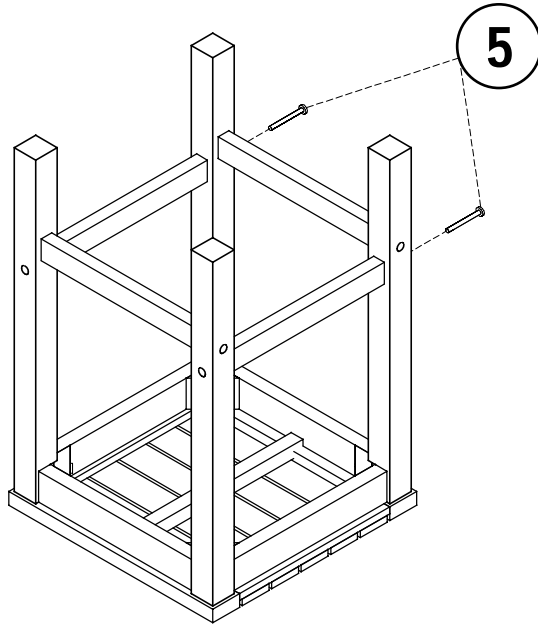


X4

ASSEMBLY INSTRUCTION

STEP 12

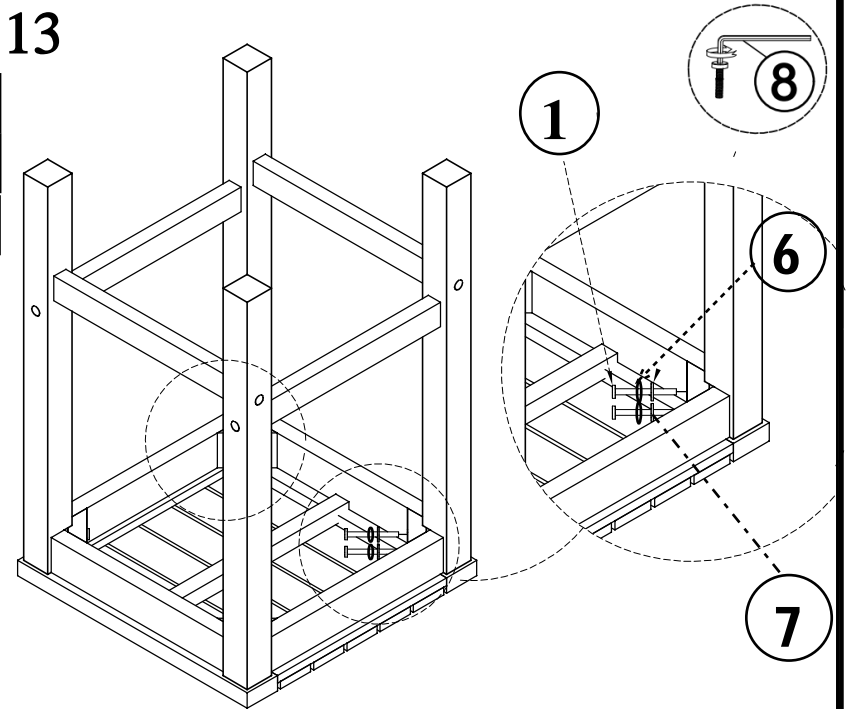
⑤ x 2



X4

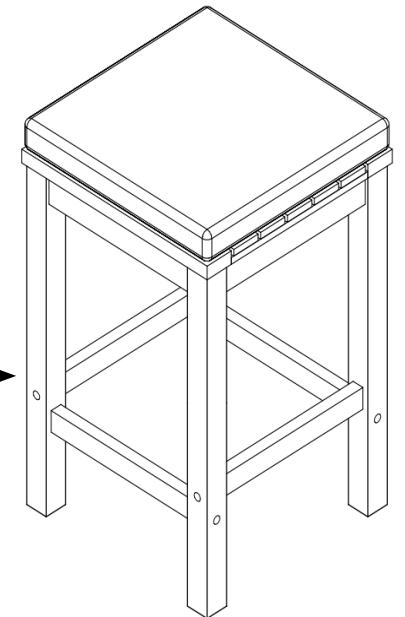
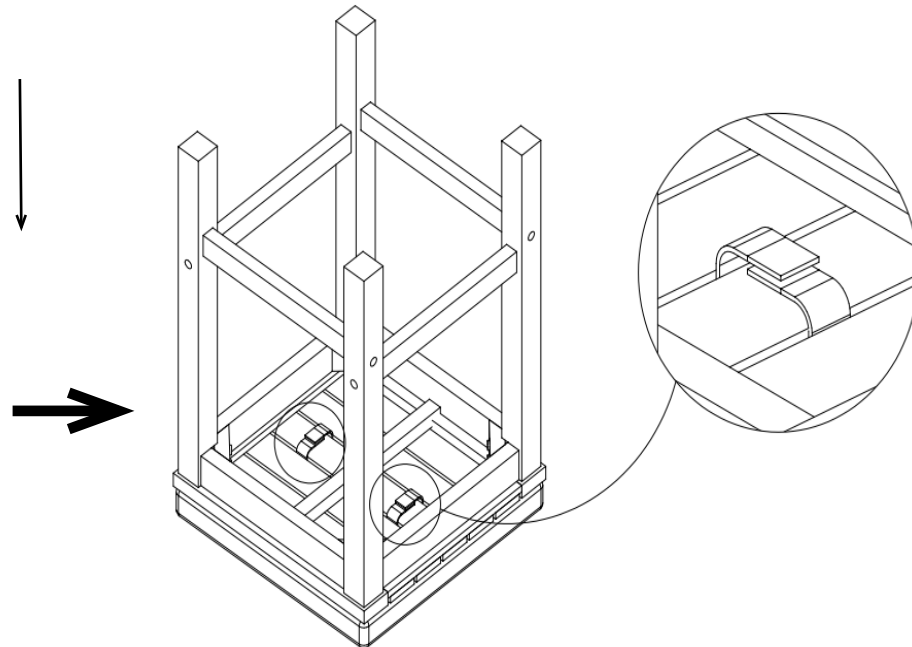
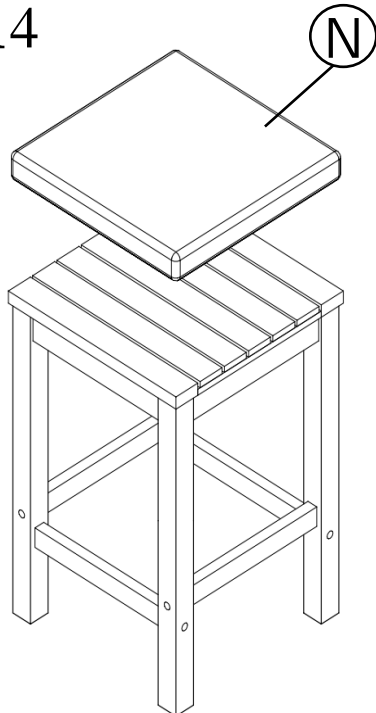
STEP 13

① x 4
⑥ x 4
⑦ x 4



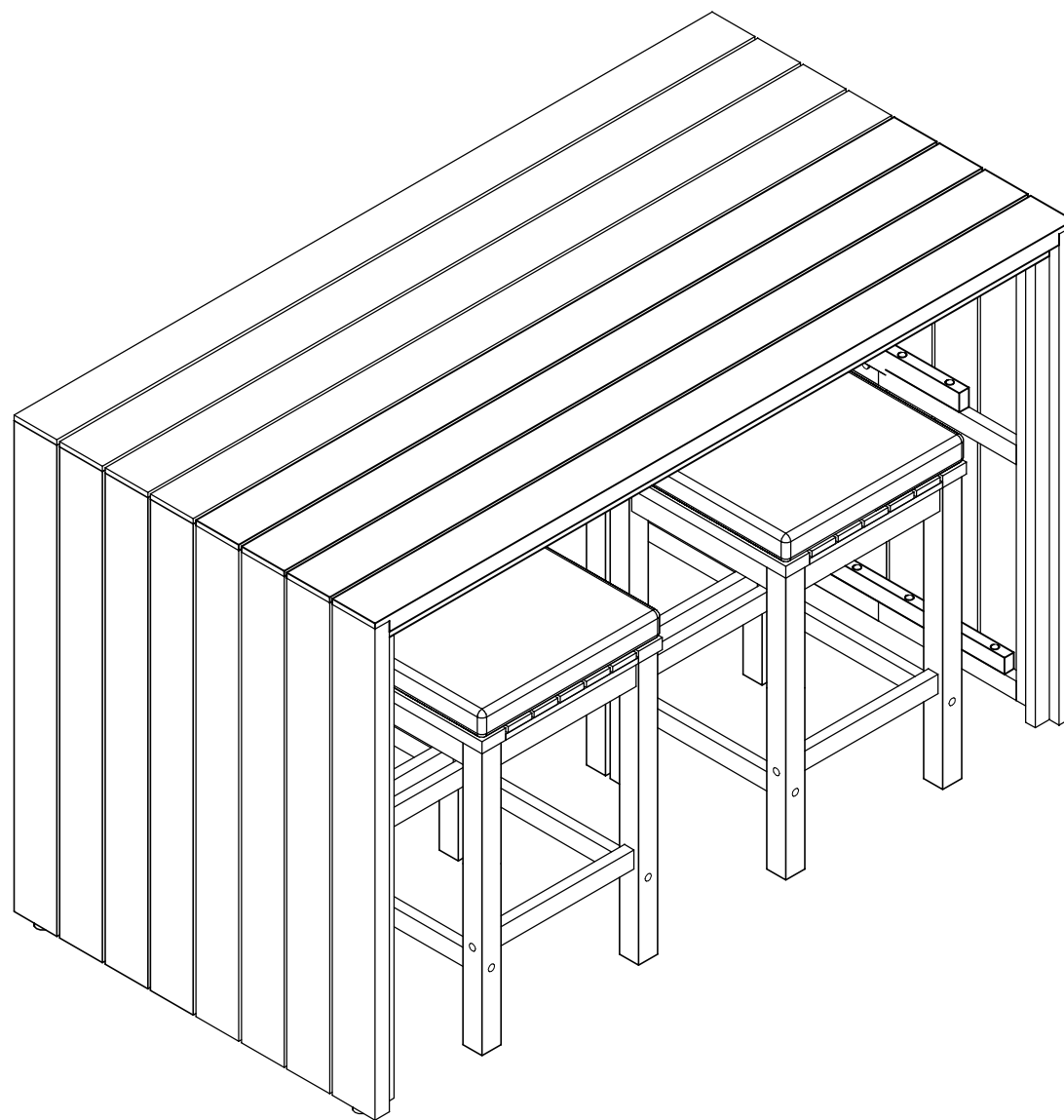
X4

STEP 14

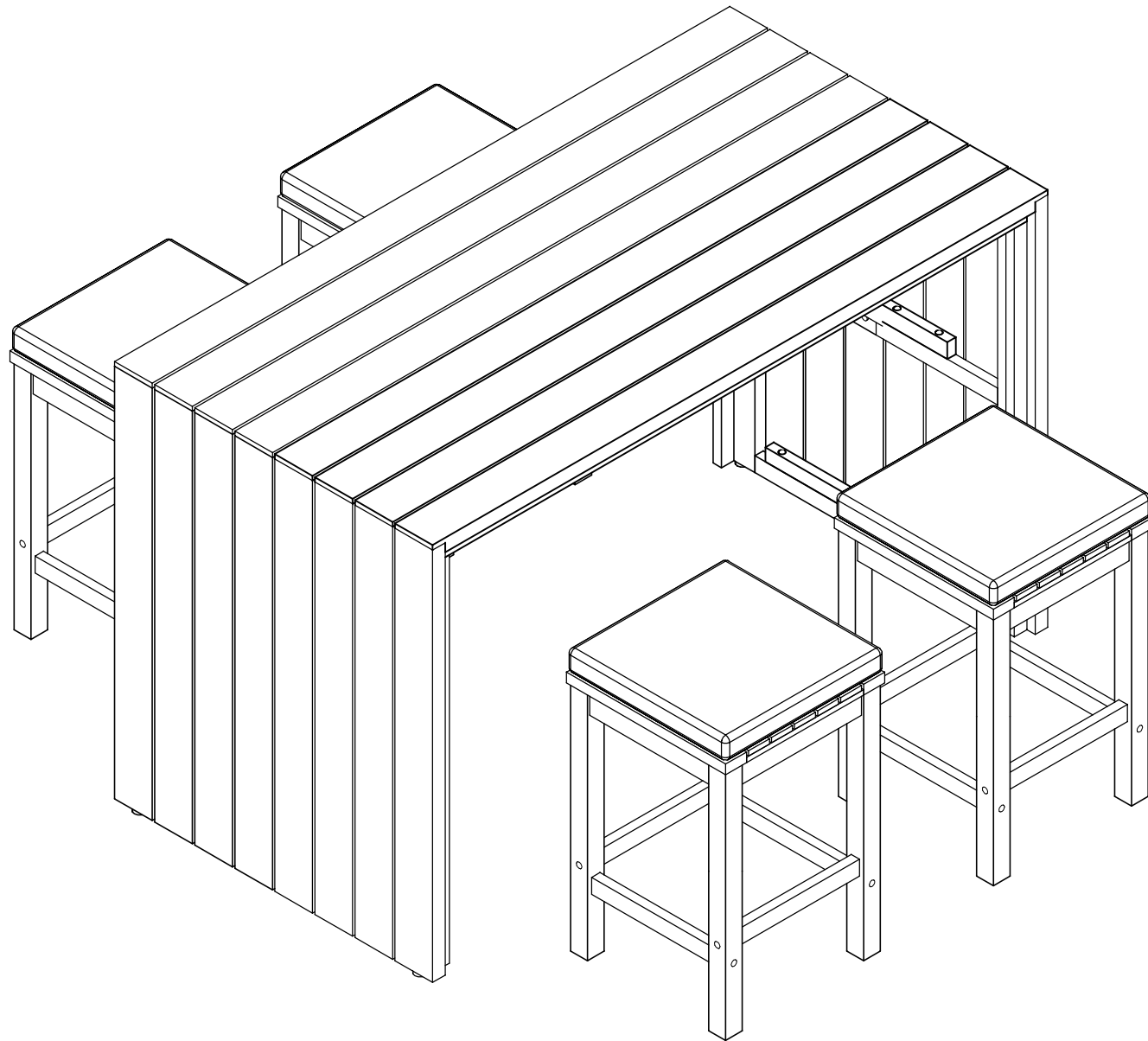


X4

ASSEMBLY INSTRUCTION



ASSEMBLY INSTRUCTION



ASSEMBLY INSTRUCTION

