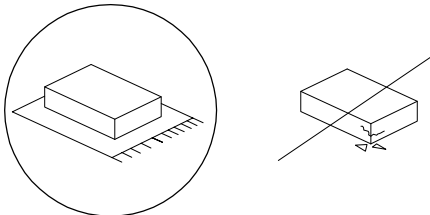
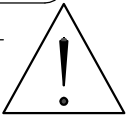
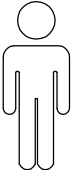
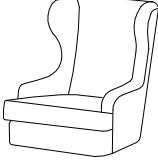
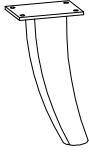

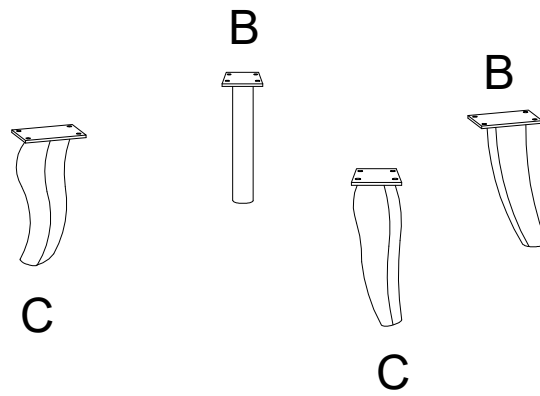
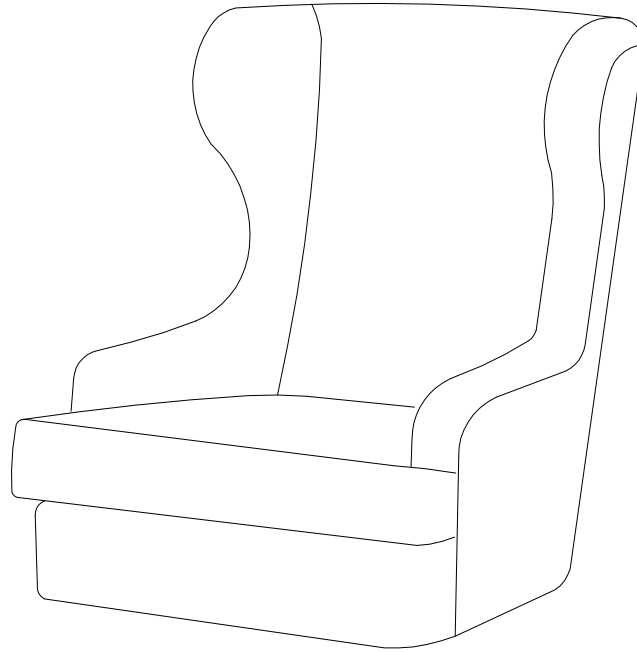
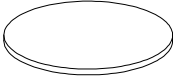
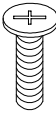
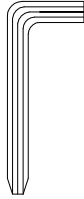

		<b>15'</b>
		
		<b>1</b>

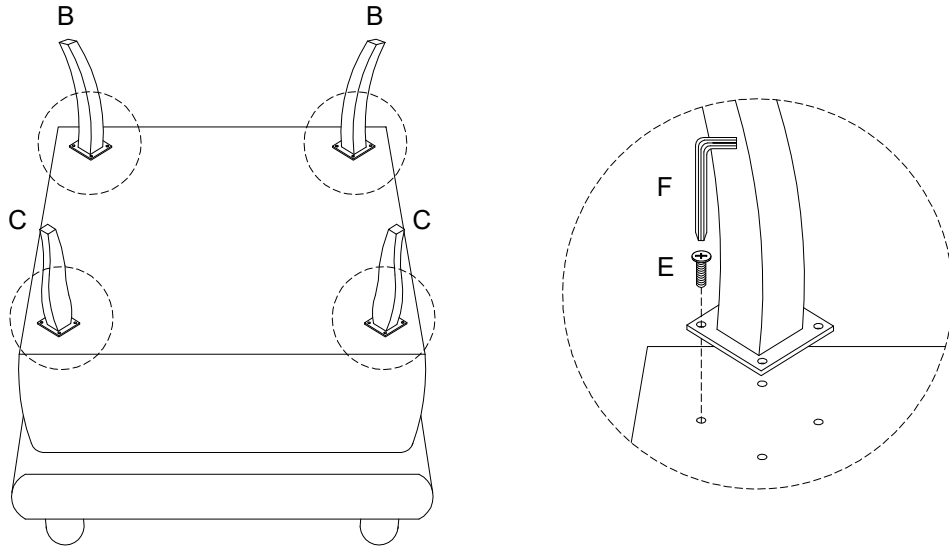
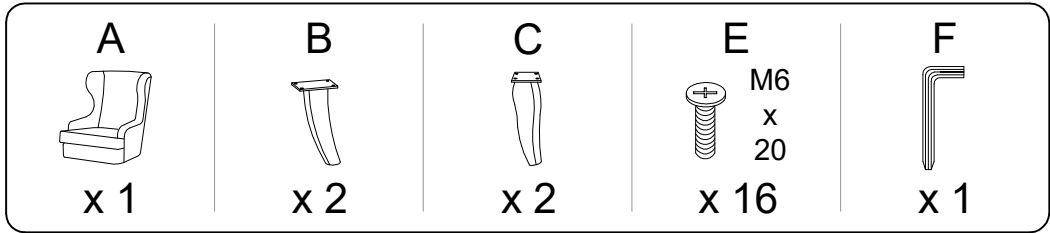
<p><b>A</b></p>  <p><b>x 1</b></p>	<p><b>B</b></p>  <p><b>x 2</b></p>	<p><b>C</b></p>  <p><b>x 2</b></p>
---	---	---

**A**



<p><b>D</b></p>  <p><b>x 4</b></p>	<p><b>E</b></p>  <p>M6 x 20</p> <p><b>x 16</b></p>	<p><b>F</b></p>  <p><b>x 1</b></p>
---	---	---

1



2

