

INSTRUCTION MANUAL ENCLOSED

ATTENTION

IF YOU HAVE ANY PROBLEMS OR QUESTIONS, EMAIL OR CALL CUSTOMER SERVICE BEFORE YOU RETURN THIS PRODUCT TO THE STORE WHERE IT WAS PURCHASED.

For Customer Service:

USA: Email: support@orderhelp.com /Call: 1-877-897-1222

CANADA: Email: sirio@orderhelp.com / www.sirio.ca

Call: 1-866-666-0421

****When emailing Customer Service, please include your **Order Number** and **platform of purchase** in the email subject for quicker assistance.**

INSTRUCTION MANUAL ENCLOSED

OUTDOOR CHAIR

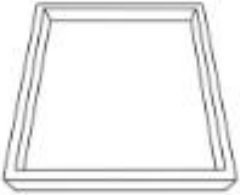
MS388

OUTDOOR CHAIR ASSEMBLY INSTRUCTION



Part	PARTS LIST Description	Quantity
	<i>PARTS</i>	
A	Seat plate	1
B	Right armrest	1
C	Left armrest	1
H	Seat cushion	1
I	Back cushion	1
J	Lumbar pillow	1
	<i>HARDWARE</i>	
D	Link Pipe	1
E	Bolts M6*40	6
F	Bolts M6*30	2
G	Allen Key	1

A



x1

B



x1

C



x1

D



x1

E



x6 M6*40

F



x2 M6*30

G



x1

H



x1

I



x1

J



x1

For Customer Service:

Email: support@orderhelp.com
sirio@orderhelp.com / www.sirio.ca
Call: 1-877-897-1222 / 1-866-666-0421

PLEASE READ AND FOLLOW ALL SAFETY TIPS

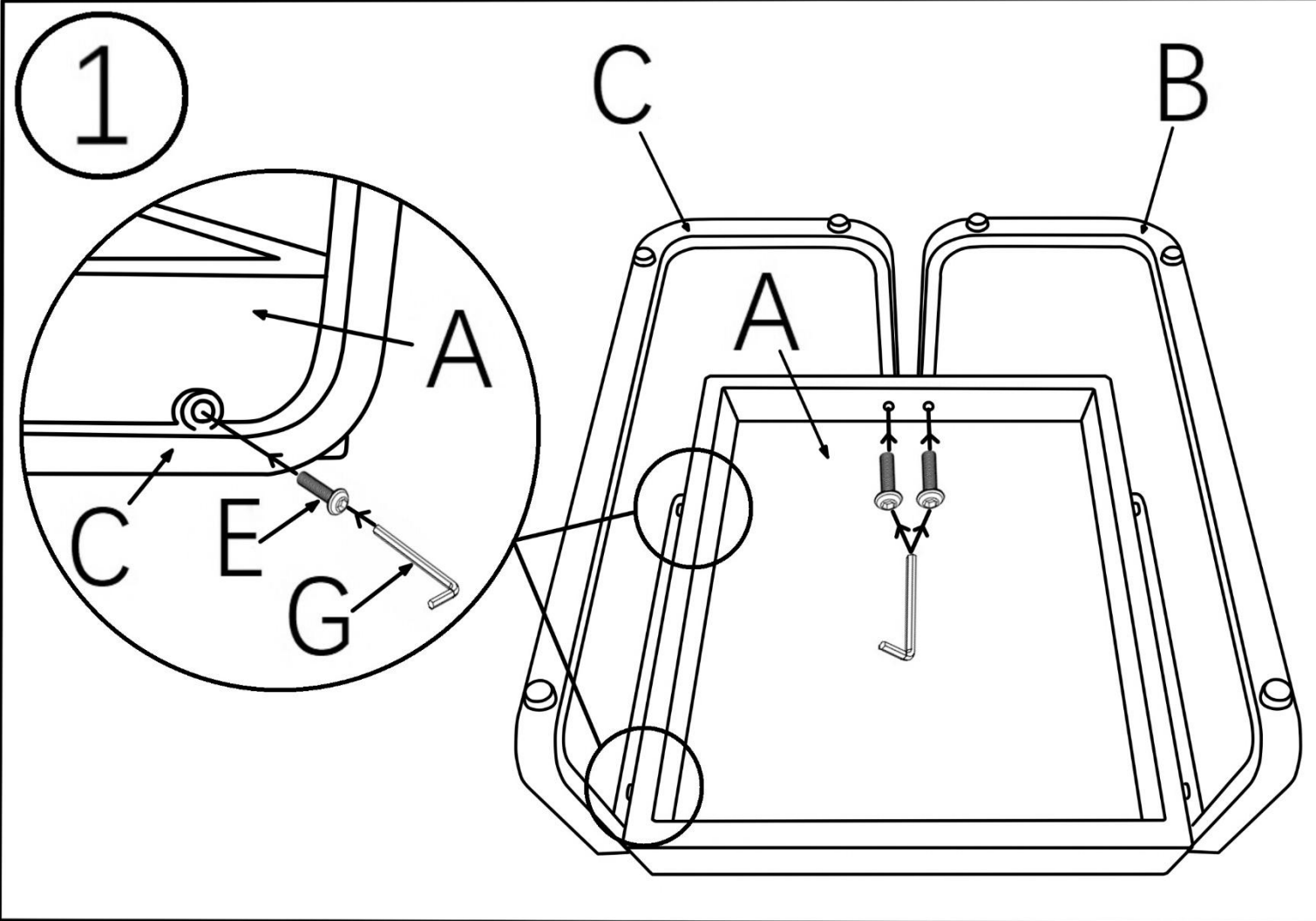
GETTING STARTED

1. Before assembly, CAREFULLY use scissors or utility knife to cut and unwrap all parts. Make sure you do not discard the hardware.
2. Make sure that you have all the parts listed. If you are missing any parts, please email Customer Service: USA: support@orderhelp.com or call 1-877-897-1222. Canada: sirio@orderhelp.com / www.sirio.ca or call 1-866-666-0421. Please identify the parts you need and model number. Make sure to include your name and address.
3. Please include your **Order Number** and **platform of purchase** in the email subject, and one of our customer service representative will get back to you.

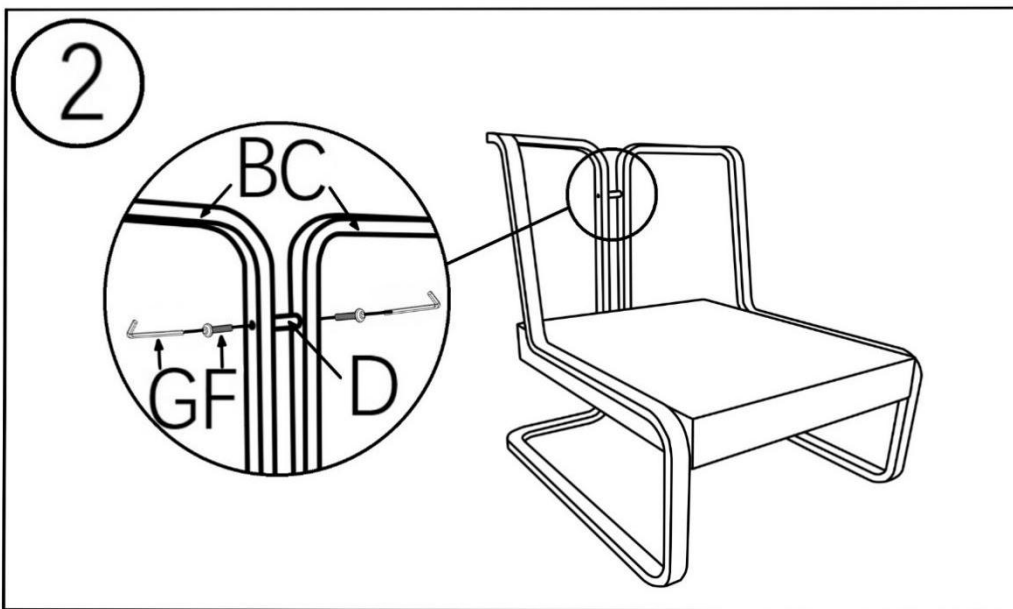
Warm Tips:

1. The plastic covers on some metal parts are just for product protection. Please remove it before assembly.
2. Please follow the sequence of AI during assembly.
3. Do not tighten the screws until all of them are in right positions.

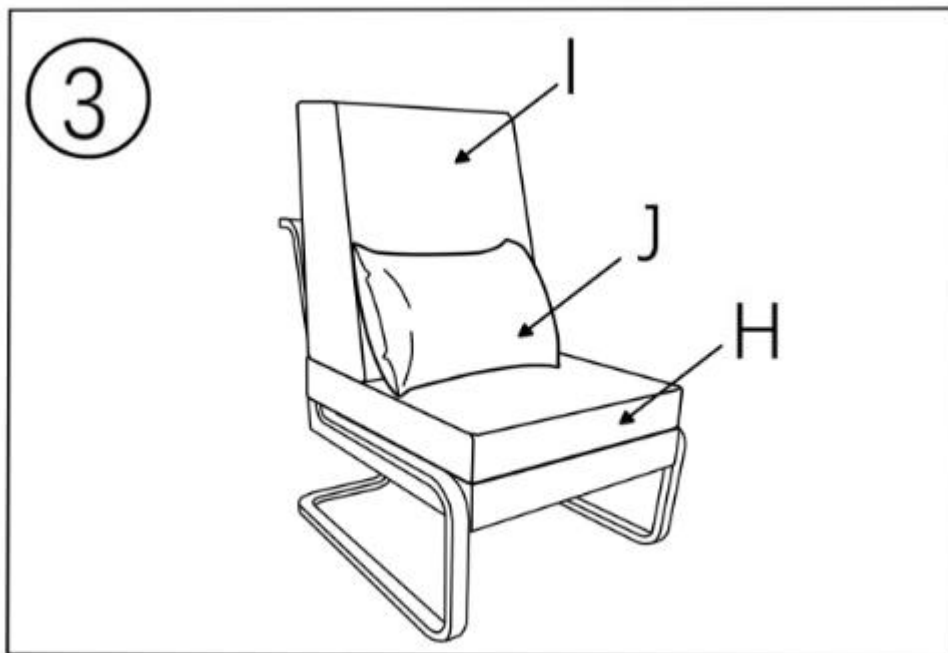
1. Position left armrest(C) and right armrest(B) to the seat plate (A) by the pre-drilled threads. Use Allen Key(G) to fasten Bolts(E). Each armrest should have 3 bolts fastened. (Photo 1)



2. Position Link Pipe(D) between left armrest(C) and right armrest(B) by the pre-drilled threads. Use Allen Key(G) to fasten Bolts(F). Link Pipe should have 2 bolts fastened. (Photo 2)



3. Place Back Cushion (I) & Pillow (J) and Seat cushion (H) on the assembled chair as shown.



You have completed assembling the furniture – enjoy!