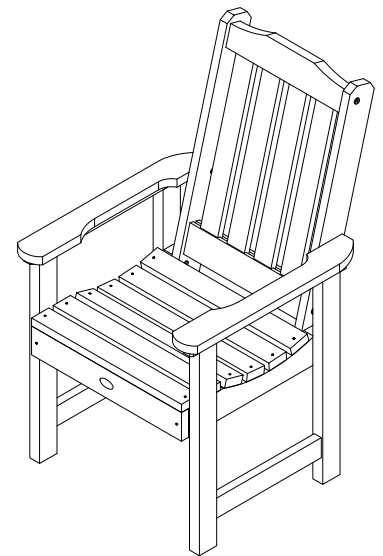


Armchair - Dining Height

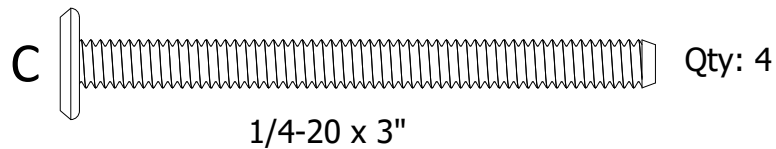
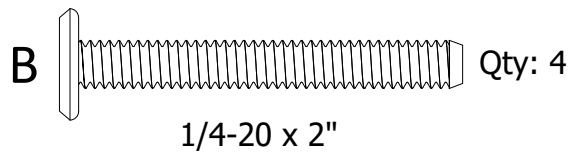
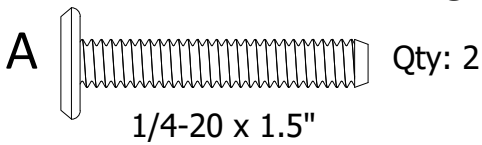
Assembly Guide



IMPORTANT!

DO NOT fully tighten the bolts until all bolts are started.
Once all bolts are inserted, go back & tighten all the bolts.

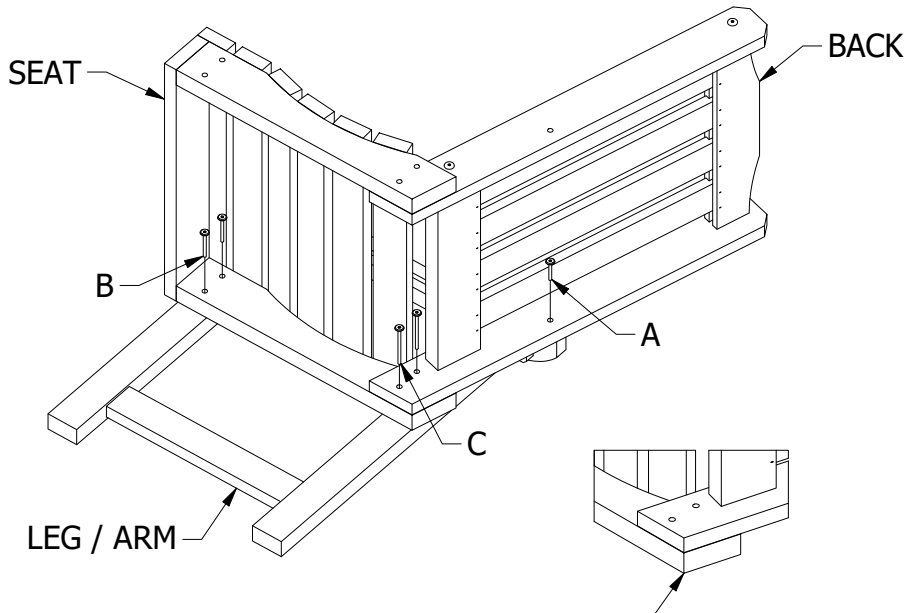
HARDWARE INCLUDED



TOOLS INCLUDED



5/32" HEX KEY



1) Attach Seat to Leg/Arm using (2) B bolts and (2) C bolts.
(Align Back as shown for C bolts)

2) Attach Back to Leg/Arm using (1) A bolt

3) Repeat on other Side.