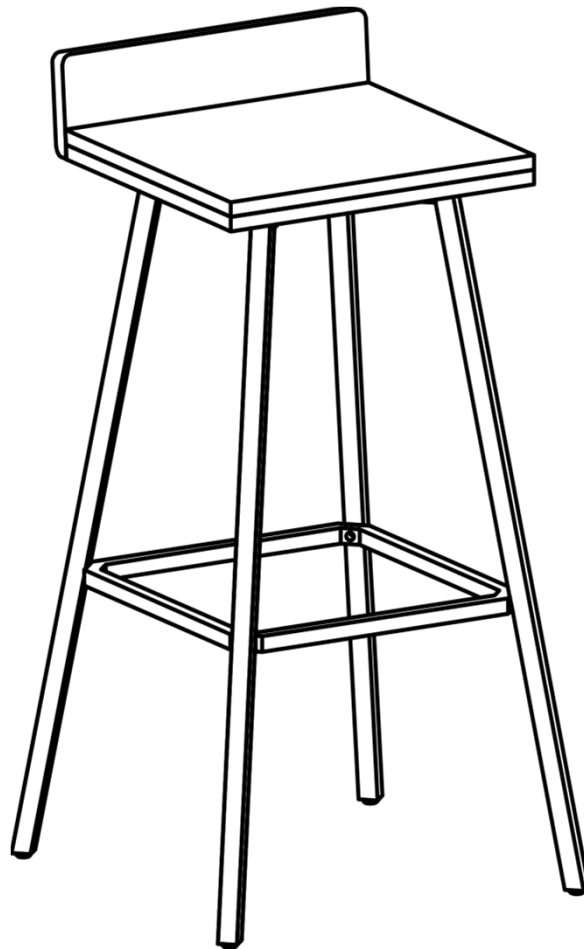


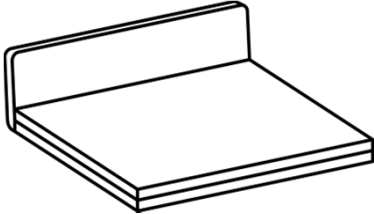
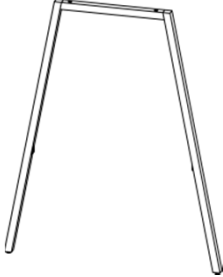
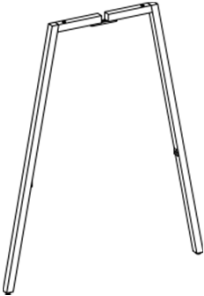
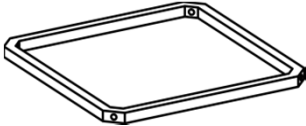
Assembly Instructions

Caution: You must read this before you proceed





Barstool



Parts List

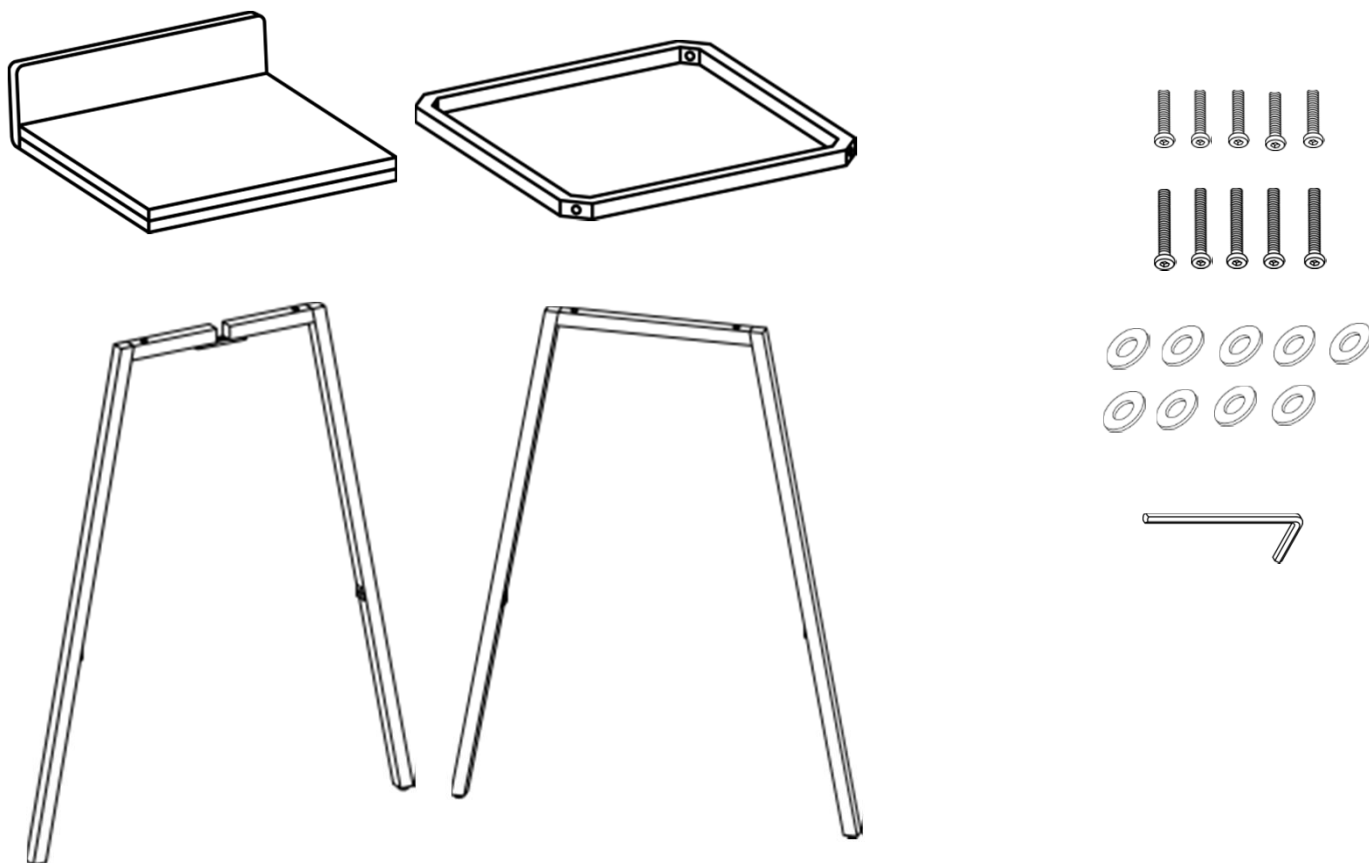
Label	Picture	Description	QTY
A		Seat Panel	1
B		First Leg Frame	1
C		Second Leg Frame	1
D		Leg Support Rail	1

Hardware

Label	Picture	Description	QTY
①		Bolt (M6x30mm)	5
②		Bolt (M6x40mm)	5
③		Washer	9
④		Allen Key	1

Assembly Preparation

Before Beginning Assembly:



- Read instructions, cover to cover-



- Have 2 adults on hand for assembly-



- Do not assemble on flooring or carpet-



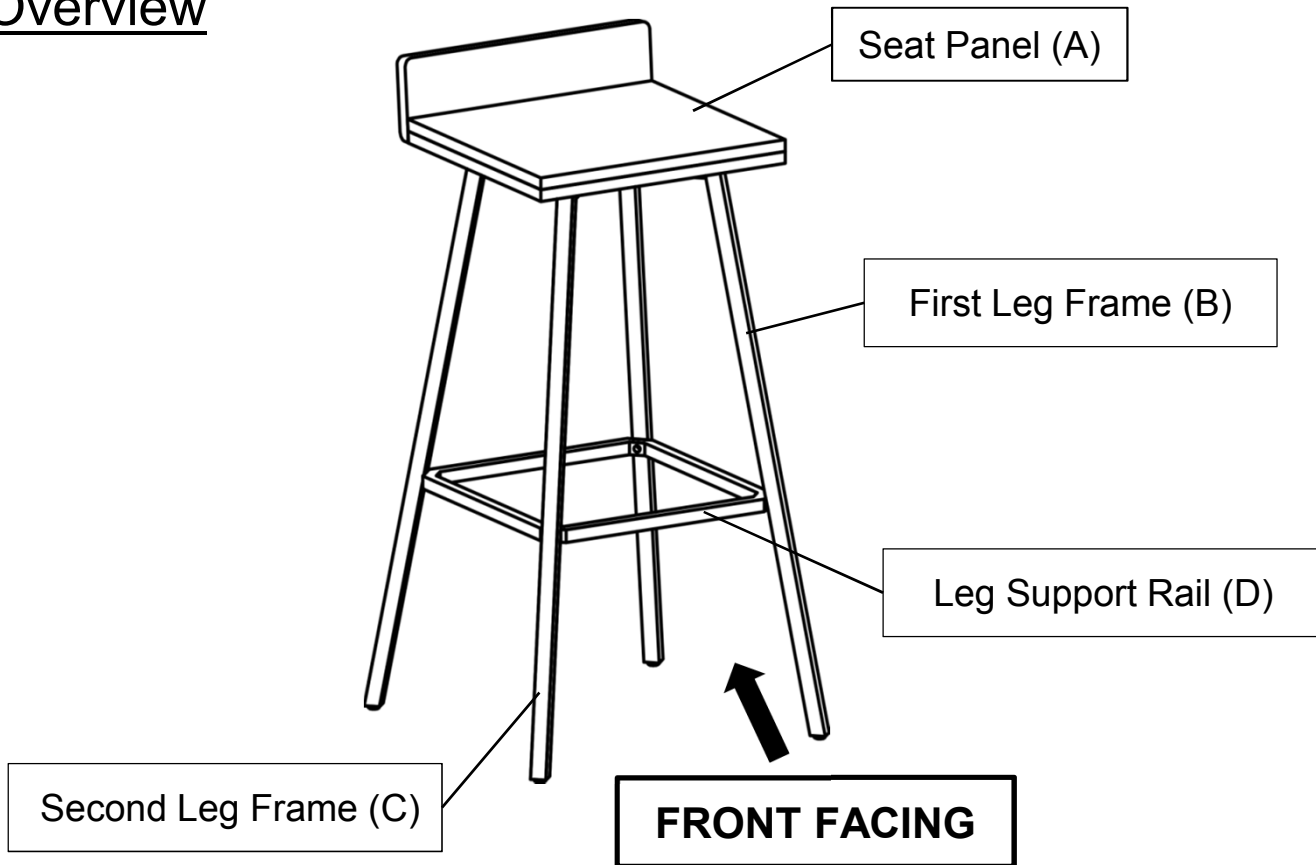
- Assemble on a clean non-marring surface (packing foam)-



- Save all packaging until finished-

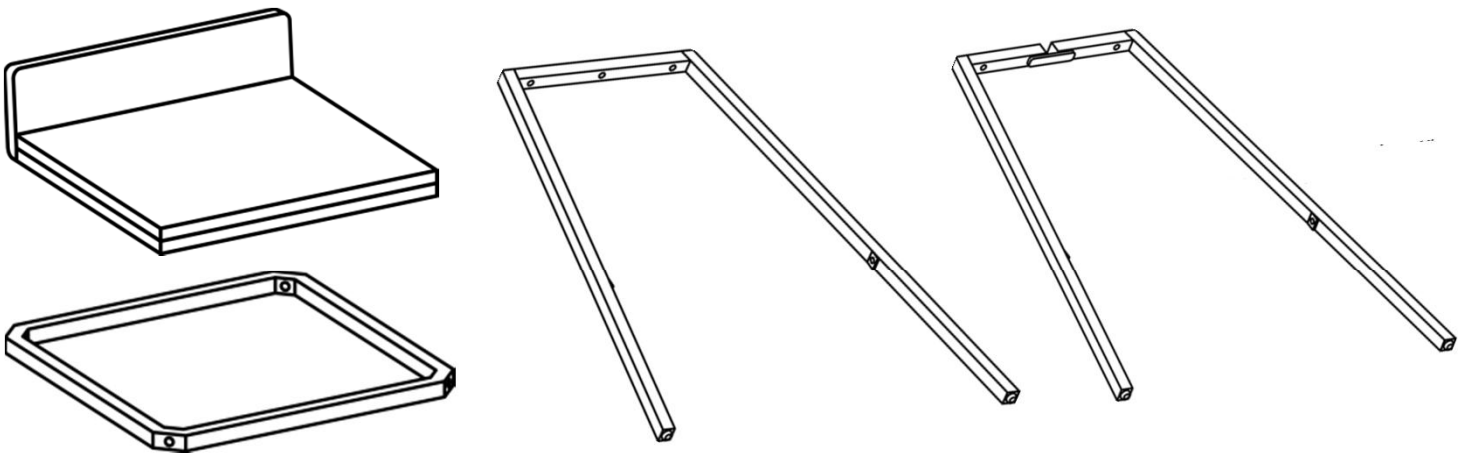
Assembly Steps

Overview



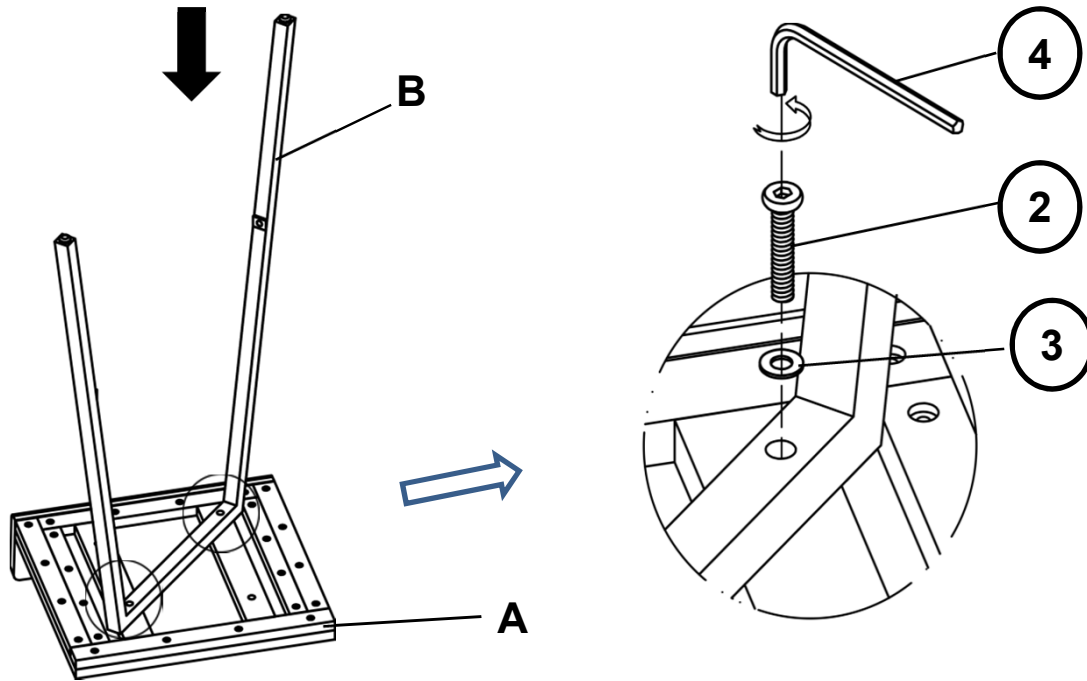
This Barstool has multiple parts and may require up to 30 minutes to assemble. To give you an overview of the Barstool parts, the above picture is to help you put the various parts into perspective. Please read through the instructions below to familiarise yourself with the parts and steps before assembly.

Step 1



Unpack and place all parts on a clean, non-marring surface.

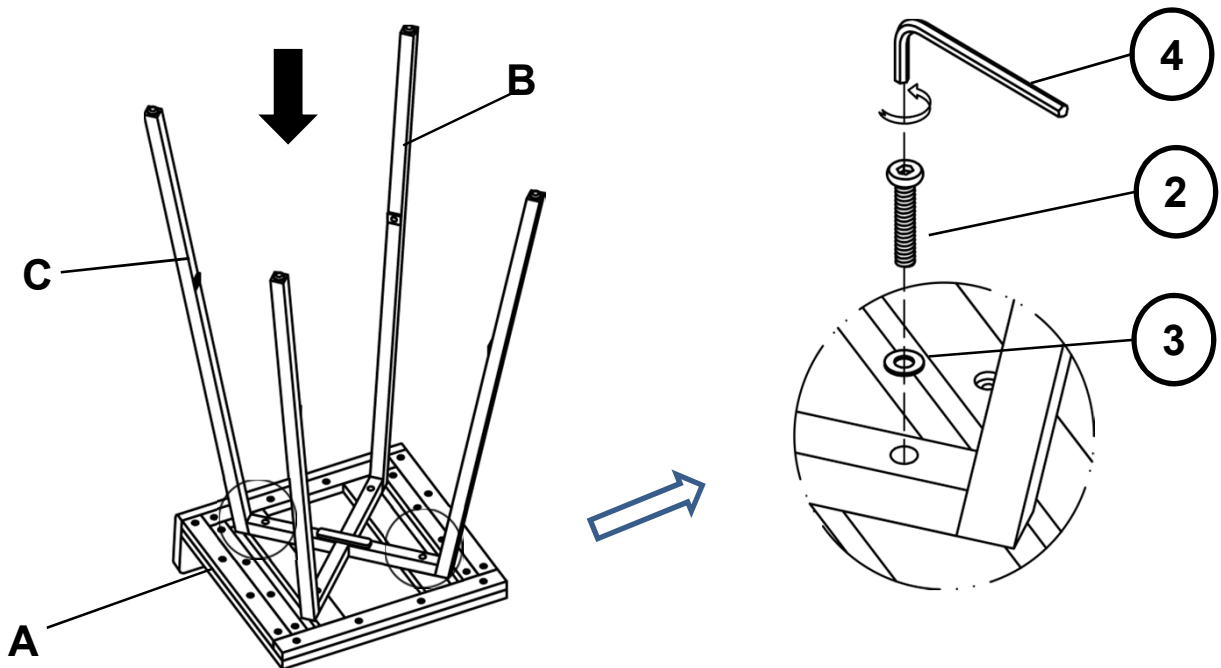
Step 2



Position the Seat Panel(A) facedown on a clean, non-marring surface.
Attach the First Leg Frame(B) to Seat Panel(A) using Bolts(②), and Washers(③) with Allen Key(④).

Do not fully tighten the Bolts.

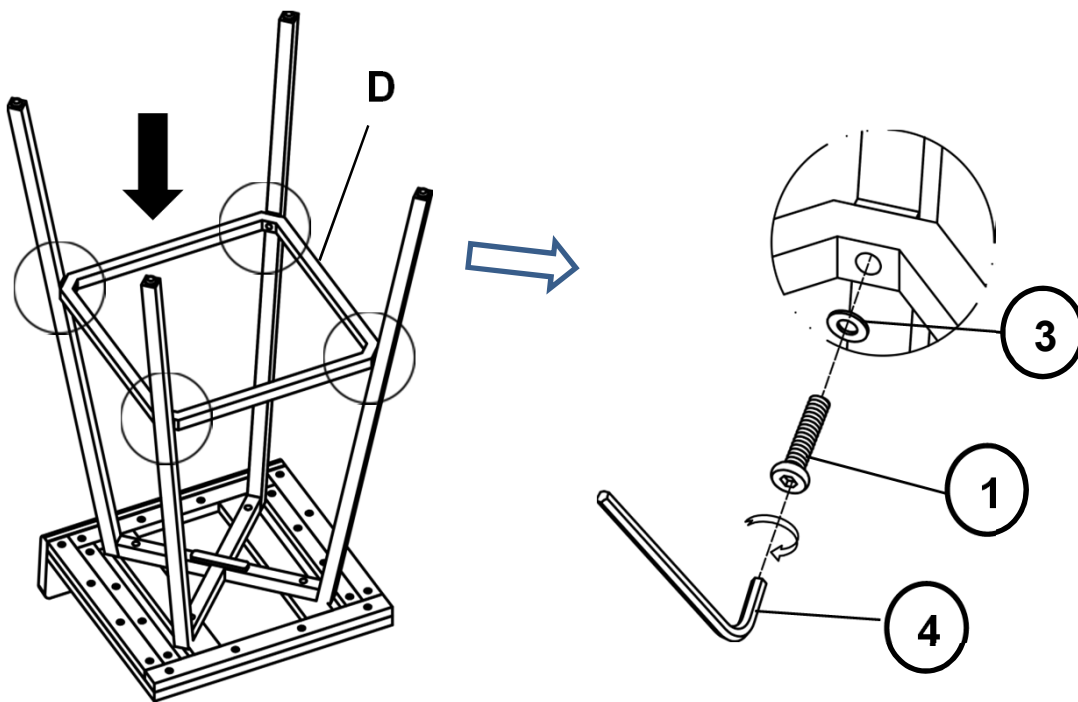
Step 3



Attach the Second Leg Frame(C) to Seat Panel(A) using Bolts(②), and Washers(③) with Allen Key(④).

Do not fully tighten the Bolts.

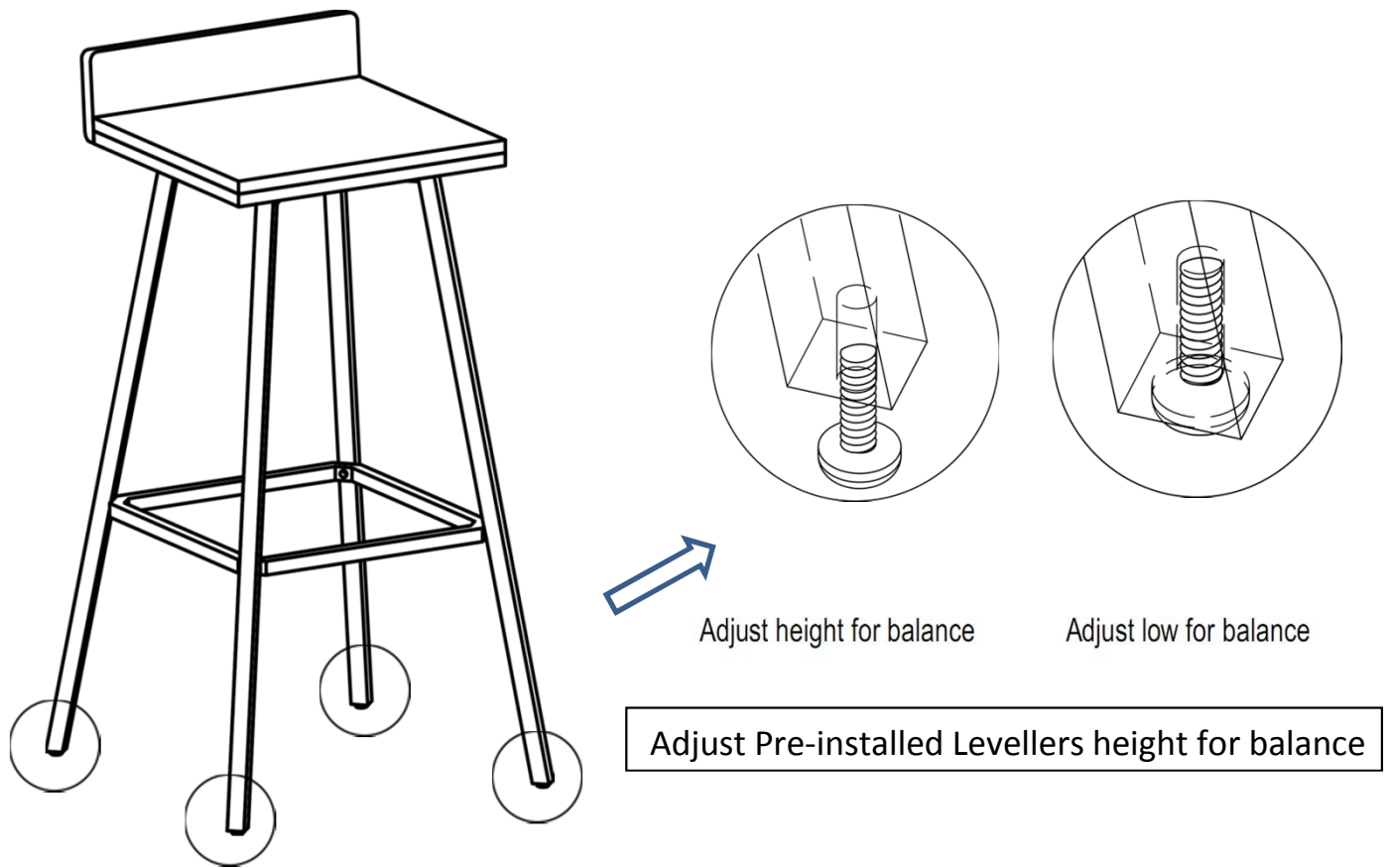
Step 4



Align Leg Support Rail(D) between Legs, as shown above.
Secure the Leg Support Rail(D) to the Legs using Bolts(①), and Washers(③) with Allen Key(④).

Do not fully tighten Bolts.

Step 5



Stand the Barstool up, with assistance from your adult partner.

Place the Barstool on a LEVEL surface.

Inspect it and make sure all parts are adequately connected.

Exert pressure floorwards, onto the Barstool with both your hands.

This pressure will help the Legs and Barstool reach full alignment status.

Proceed to tighten the Bolts in a sequential manner, until evenly secured.

When tightening the Bolts tighten sequentially.










Do not tighten any Bolt fully and then move on towards the next one.

With assistance from your adult partners, adjust the Levellers to desired height to avoid wobbles.

Your Barstool is ready for use.

This Barstool can only be used on a flat, level surface.

Care & Maintenance

- ⊗  ● Do not put hot items directly on furniture surface.
- ⊗  ● Do not clean furniture with harsh cleansers or polish.
- ✓  ● To obtain the longest lifespan of your outdoor products, minimizing exposure to direct sunlight is recommended.
- ⊗  ● Children should not climb or jump on the furniture.
- ⊗  ● Do not write on furniture without a padded barrier to protect the surface.
- ✓  ● To obtain the longest lifespan of your outdoor products, avoid extended and lengthy exposure to rain, snow, and direct sunshine. Whenever possible cover the product and /or place under patio or awnings.
- ⊗  ● Not for commercial use. For residential use only.
- ⊗  ● Stains may be removed with mild soap solution and damp cloth.
- ✓  ● Dust and pick-up spills using a clean, non-colored, lint-free cloth .