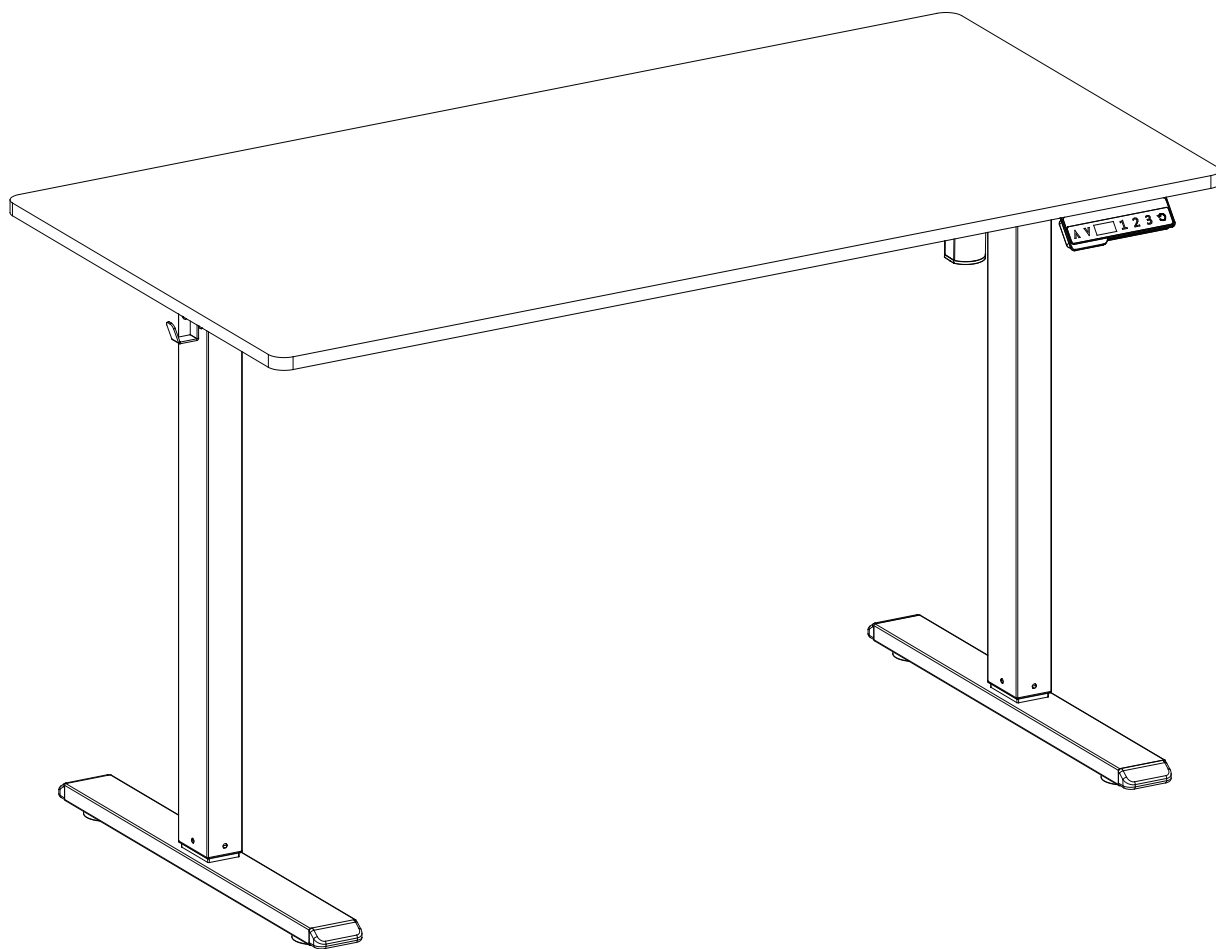












# INSTALLATION GUIDE



**SIZE: 48inch**

# CAUTIONS

-  Please read the following instructions carefully before start using the high-adjustable desk.
-  Please make sure that the desk is not touching the wall and that there are no obstacles within 50cm above or below the desk when lifting and lowering.
-  It is necessary to reset with the controller manually after the initial installation or power off. (See it on Controller Introduction)
-  Keep children and pets away from the electric height-adjustable desk during the operation.
-  Unplug the power cord during a thunderstorm or if you do not intend to use the desk for a long time.
-  Keep products away from corrosive gas, liquid, and dusty objects.
-  It is forbidden to disassemble electronic products privately to avoid the failure of the products or damage to the human body.
-  The company does not bear any warranty or liability for damage and human injury caused by any abnormal operation.
-  This desk is not intended for use in bathrooms.
-  Do not use outdoors.

# SPECIFICATIONS



**Power Input**  
100V~-240V~



**Max.Load**  
132lbs/60kg

## Caution:

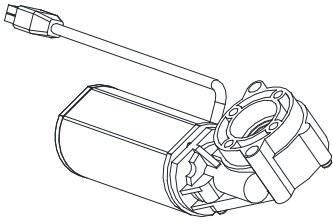
Do not exceed maximum listed weight capacity.

Serious injury or property damage may occur!

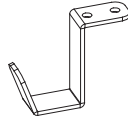
The lifting range of the desk: 28 inch~46 inch (71cm~117cm)

# COMPONENT LIST

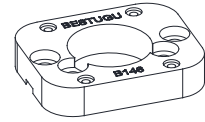
Box **A** (contains **1** **2** **3** **4** **5** **6** )



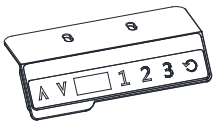
**1** Motor (x1)



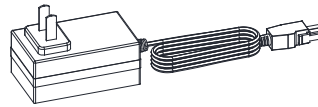
**2** Headphone Hanger (x2)



**3** Motor support plate (x1)

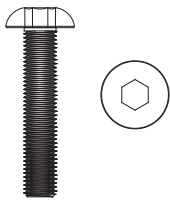


**4** Controller (x1)

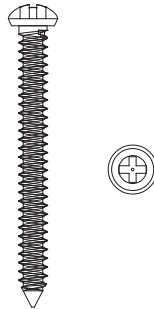


**5** Adapter (x1)

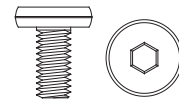
**6** Hardware list



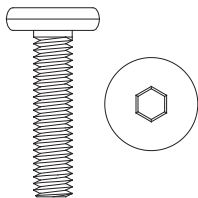
**aa** M5×25mm (x2)



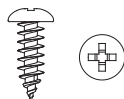
**bb** M4×40mm (x2)



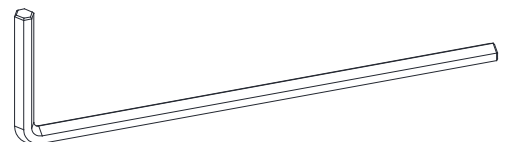
**cc** M6×12mm (x8)



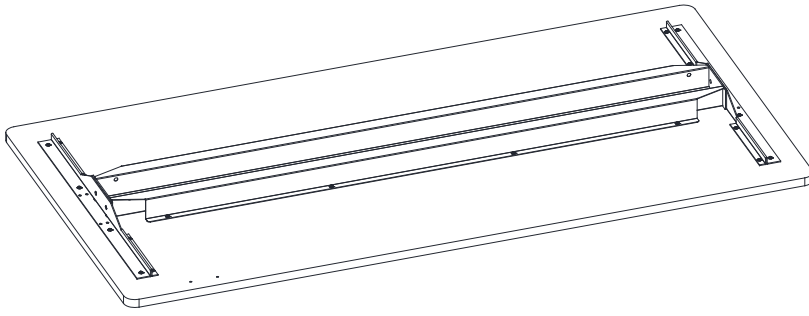
**dd** M6×25mm (x8)



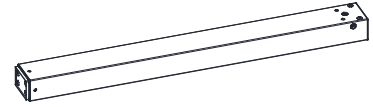
**ee** ST4×15mm (x6)



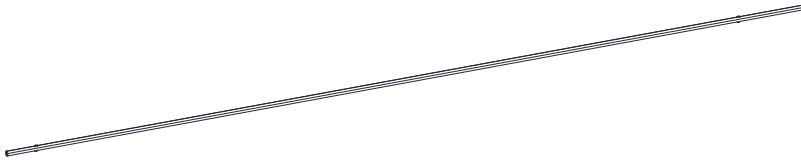
**ff** Allen Key (x1)



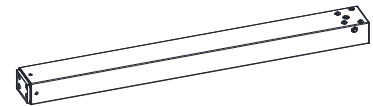
**B** Desktop (x1)



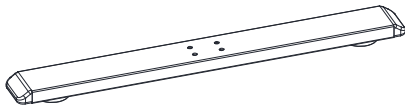
**D** Right Table Leg (x1)



**C** Transmission Rod (x1)

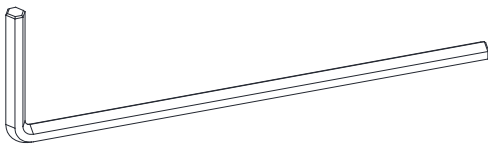


**E** Left Table Leg (x1)

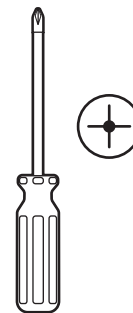


**F** Leg Base (x2)

## TOOLS REQUIRED



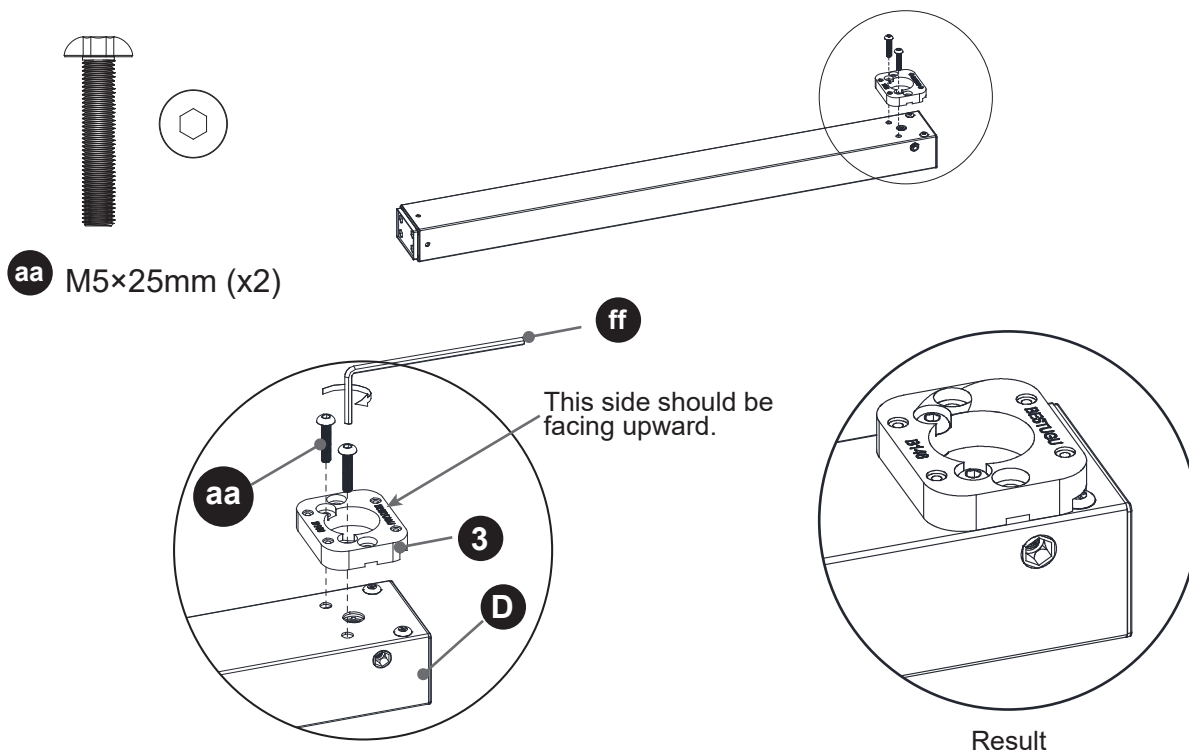
Allen Key (included)



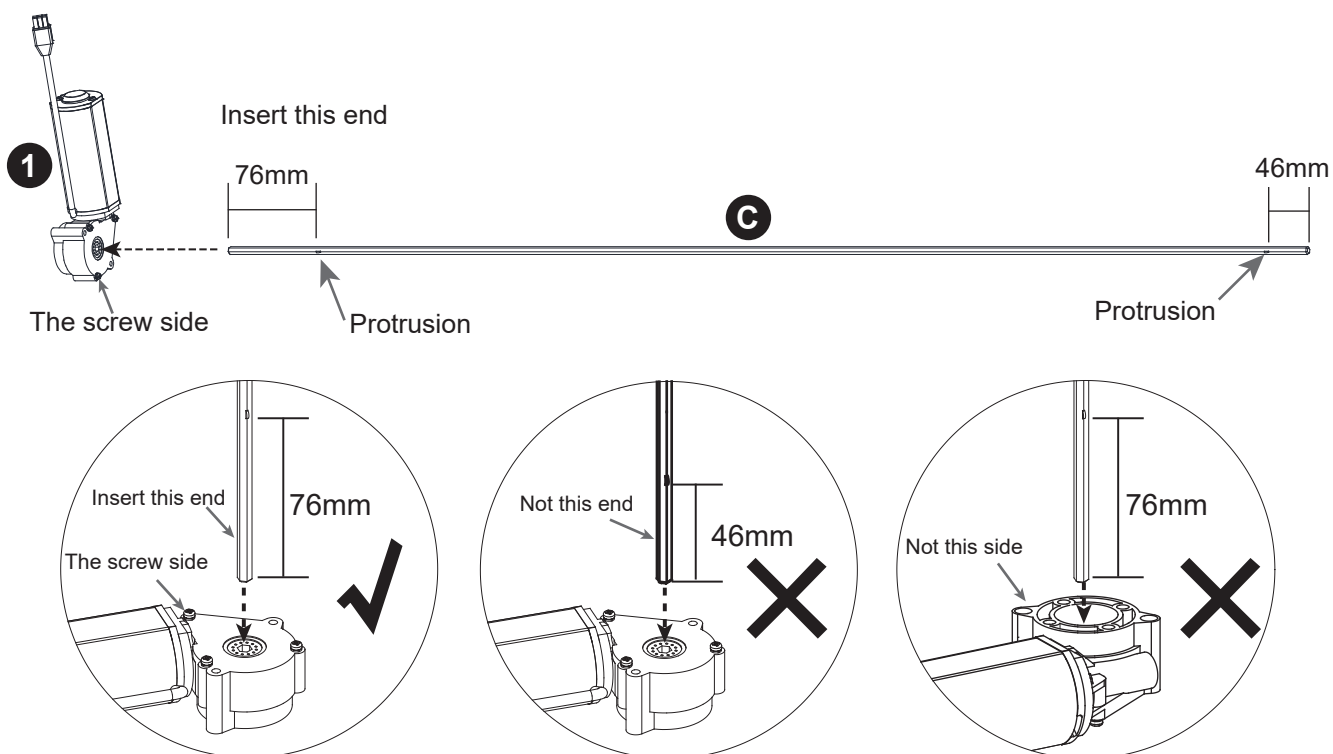
screwdriver (not included)

# INSTALLATION

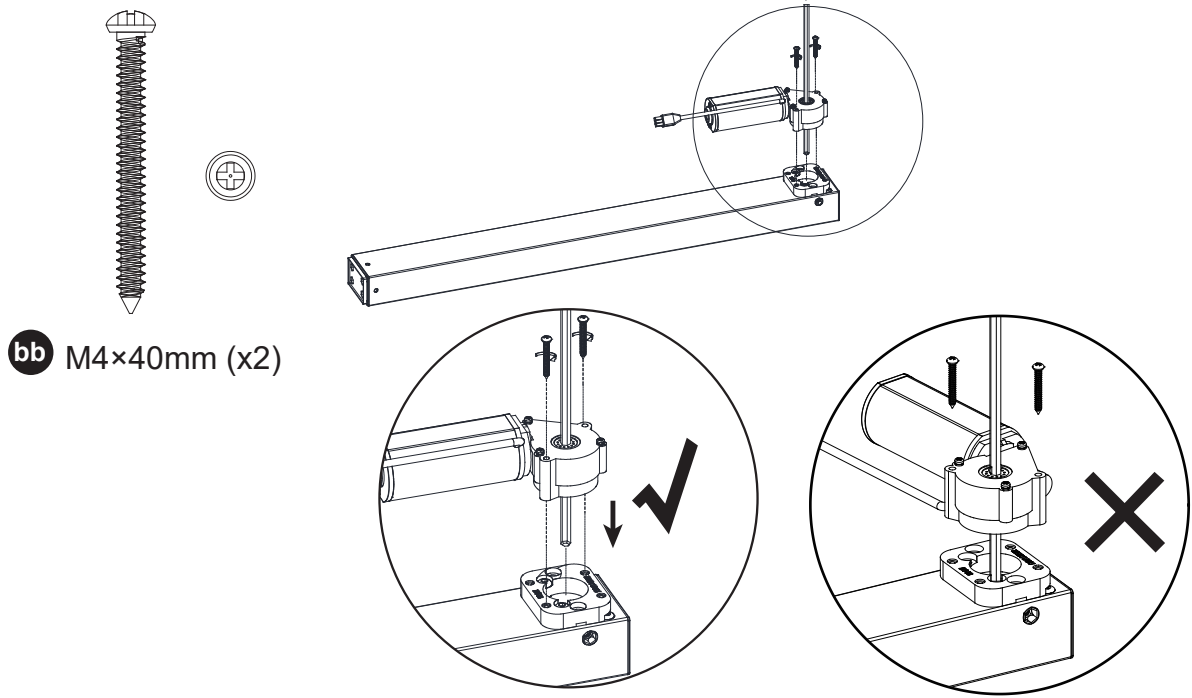
Step 1. Fix the Motor Support Plate( **3** ) onto the Right Table Leg( **D** ) and secure it with 2 screws( **aa** ).



Step 2. Insert the Transmission Rod ( **C** ) into the Motor from the screw side ( **1** ).

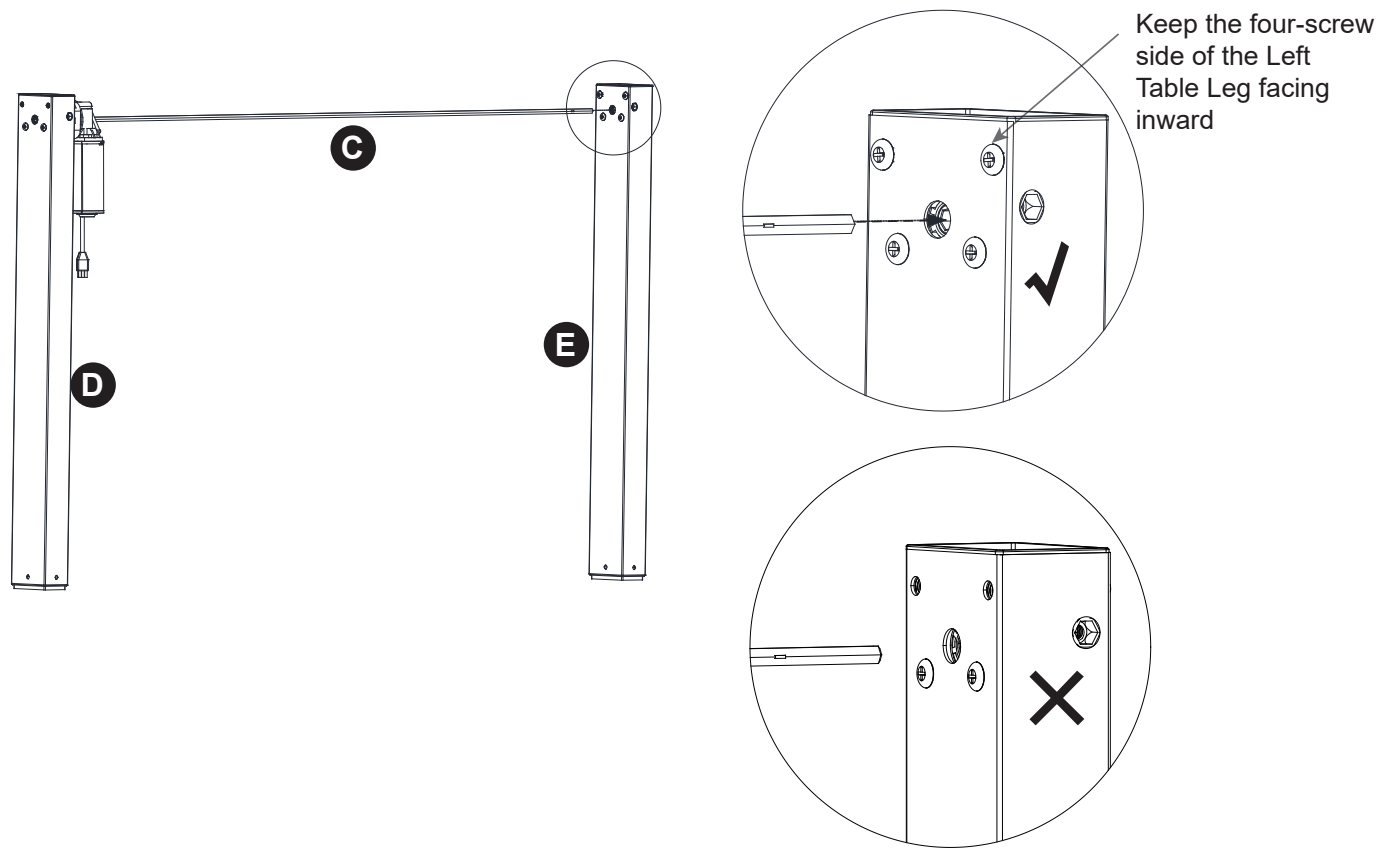


Step 3. Insert the Transmission Rod installed in step 2 into the Right Table Leg installed in step 1.  
Secure them with two screws( **bb** ).

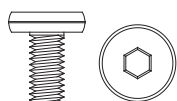


Step 4. Insert the other end of the Transmission Rod( **C** ) into the Left Table Leg( **E** ).

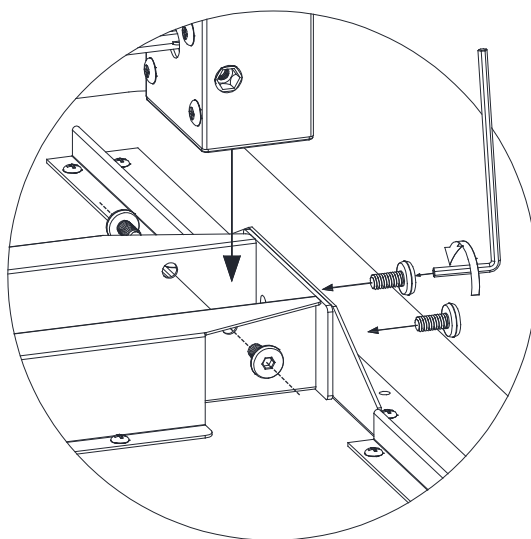
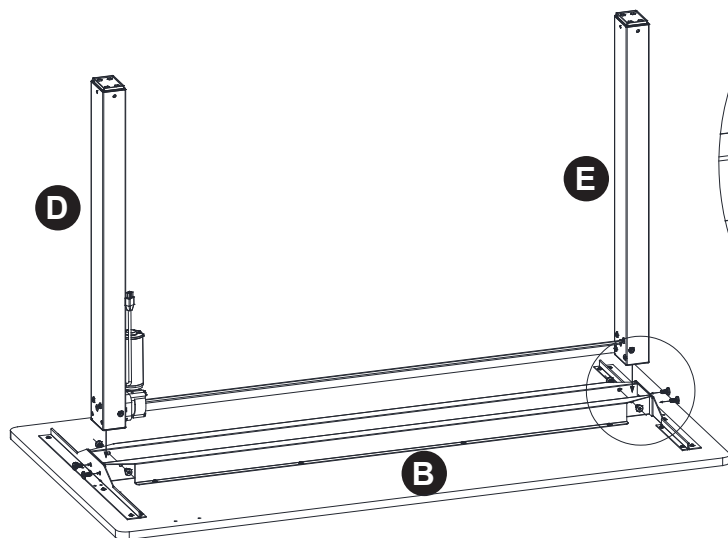
**NOTE:** Before installing the Transmission Rod, make sure that the height of the left table leg and the right table leg are the same.



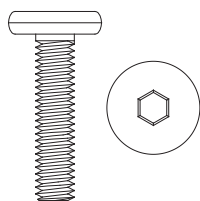
Step 5. Secure the Left Table Leg ( **E** ) and the Right Table Leg ( **D** ) to the Desktop ( **B** ) with eight screws ( **cc** ) .



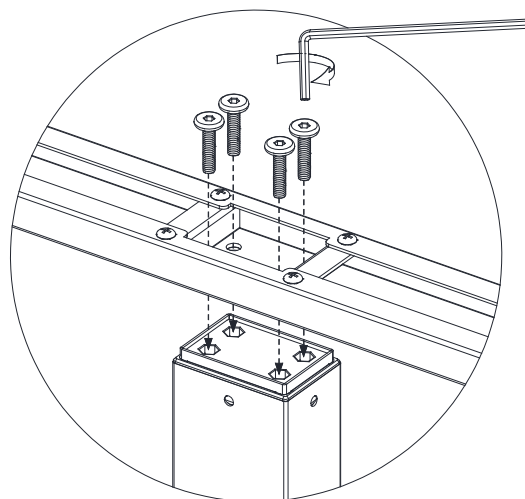
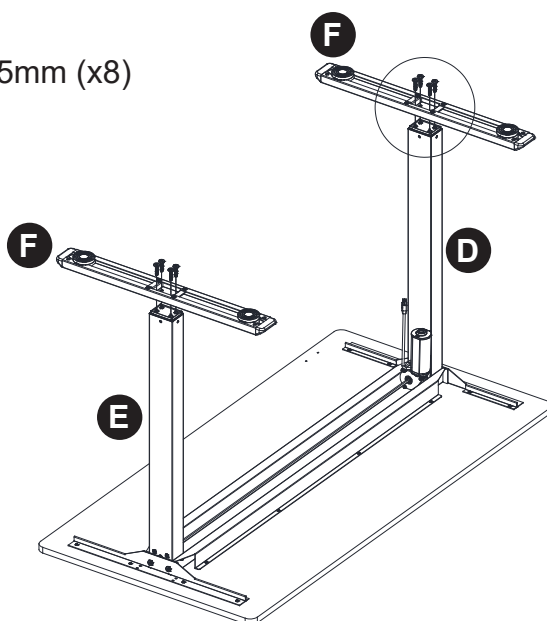
**cc** M6×12mm (x8)



Step 6. Secure the Leg Bases ( **F** ) to the Left Table Leg and the Right Table Leg with eight screws ( **dd** ) .



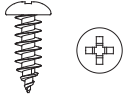
**dd** M6×25mm (x8)



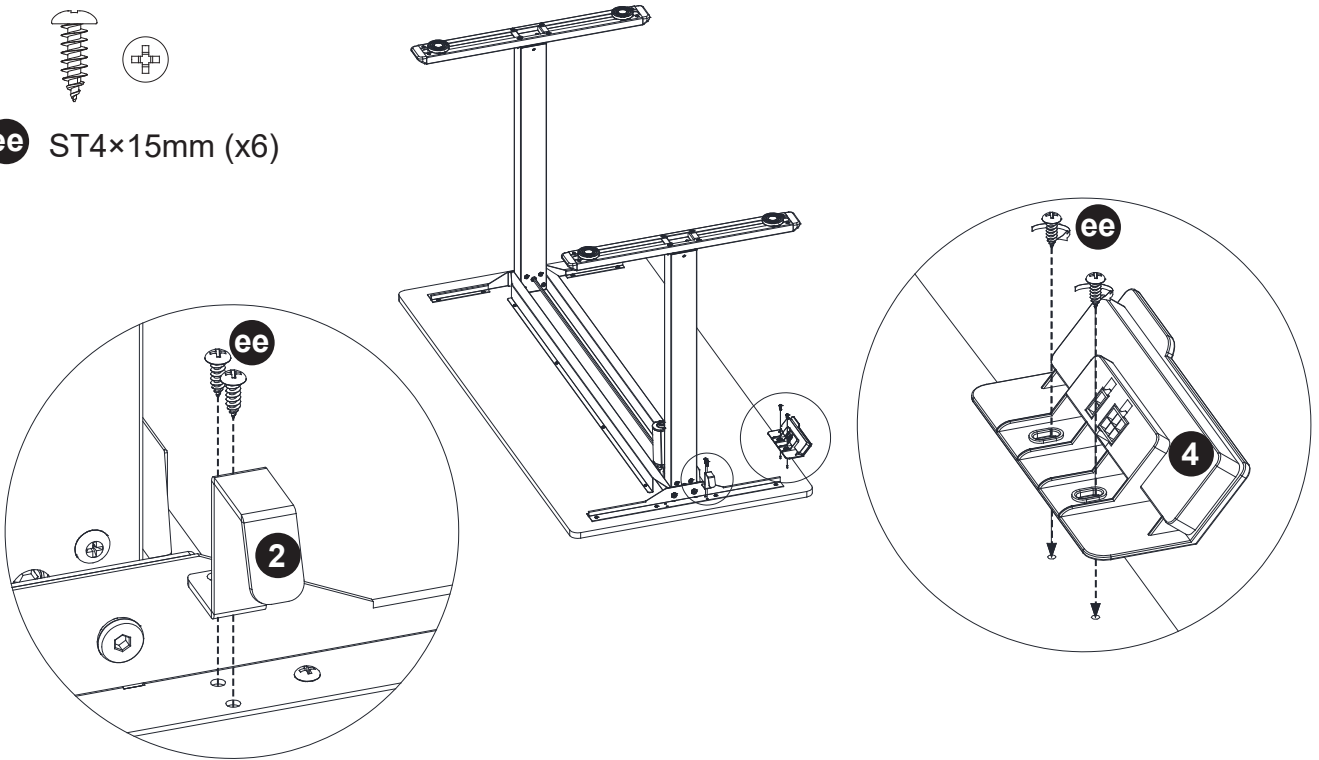
Step 7. Fix the Controller ( 4 ) to the Desktop ( B ) with two screws ( ee ).

Note: there are pilot holes on the Desktop, and the key panel should be placed facing outward.

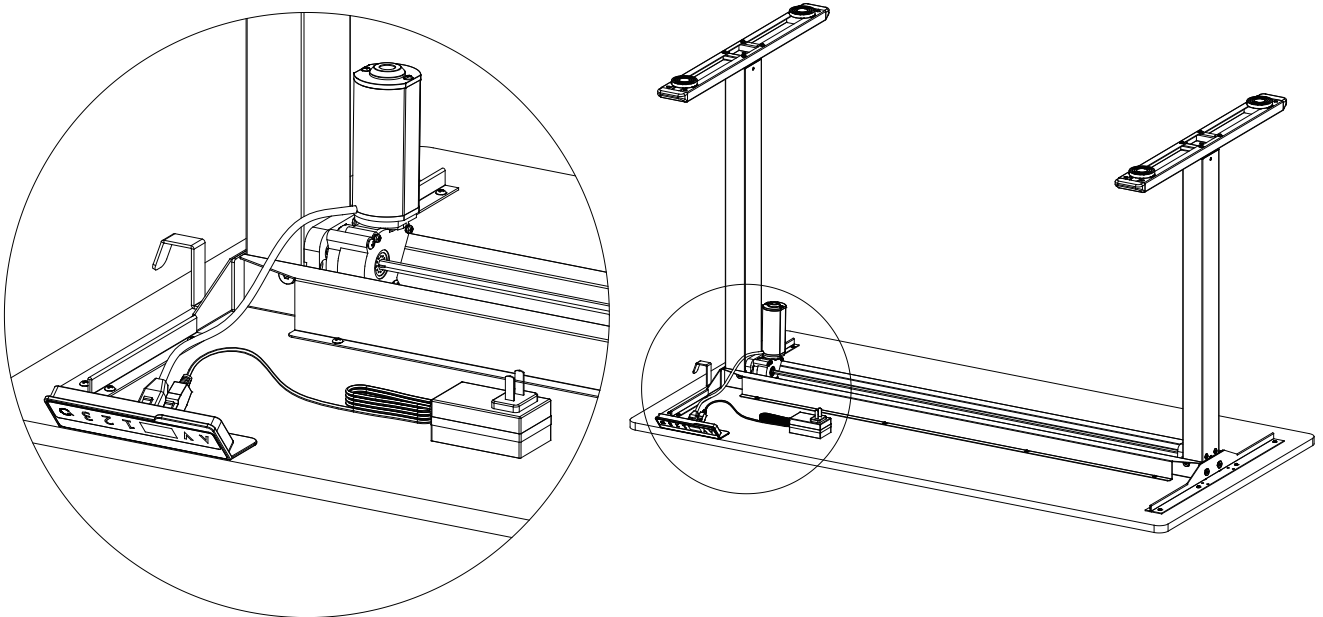
Fix the Headphone Hangers ( 2 ) to any pilot holes on the left and right sides of the Tabletop with four screws( ee ).



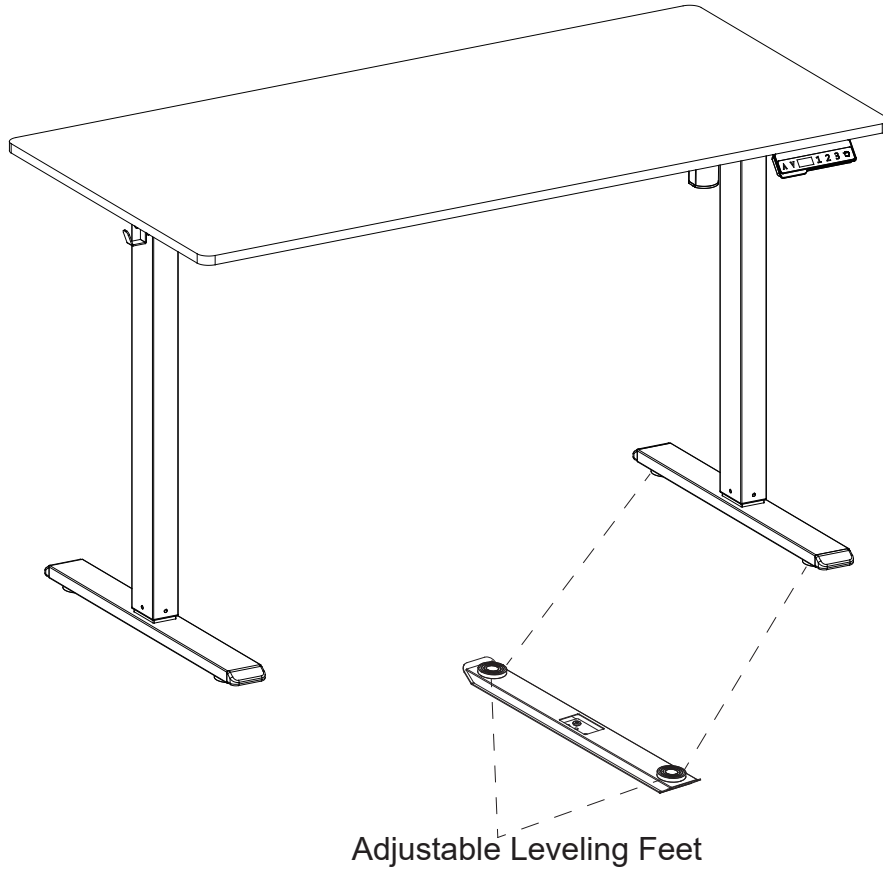
ee ST4×15mm (x6)



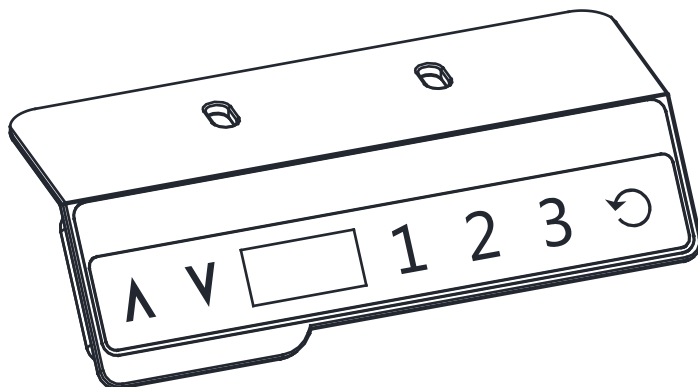
Step 8. Connecting the cables.



Step 9. If the ground is uneven, to ensure your desk remains stable and level, you can adjust the leveling feet under the Leg Base.




# CONTROLLER INTRODUCTION



When using the adjustable desk for the first time, please reset it first.


## Reset


Press and hold the  button for 3 seconds, the digital displays "---" flash quickly. In the process, the desk goes down to the lowest and its height will be reset to 71cm. The default height is as follows:

Button	<b>1</b>	<b>3</b>
Default height	28" / 71cm	46" / 117cm


**Note:** The desk's movement can be stopped at any time by pressing any button. The height settings of the desk will remain even if the power is cut.




Press the  button to raise the desk continually, and the desk will stop when the button was released within 3 seconds.

Long press the  button for more than 3 seconds, the desk will continue to rise automatically, and the desk will stop until it reaches the max height.



Press the  button to lower the desk continually, and the desk will stop when the button was released within 3 seconds.

Long press the  button for more than 3 seconds, the desk will continue to lower automatically, and the desk will stop until it reaches the lowest height.


**1**  
**2 3** Memory height button: Adjust the desk to the height you prefer, Long press the **1** button until the digital displays "H1" shows up, at this time, the height memory setting of **1** button is done. Repeat the same process to assign memory height settings to **2** button or **3** button.



**Note:** When press the memorized height of buttons **1** , **2** , or **3** , the digital tube will display the memorized height of that button and blink, then move to the memorized height.

**Lock** Press and hold the **▲ + ▼ + 2** button 5 seconds at the same time, the digital displays "L" , indicating that all buttons are in a disabled mode.

**Unlock** Press and hold the **▲ + ▼ + 2** button 5 seconds at the same time again, the digital display tube will change from "L" to the normal number, indicating that the button has been unlocked and can be used normally.

## Sedentary Reminder

Press  button , the digital displays "T30 ". It means that after 30 minutes, the digital display on the desk will show "Chr" to remind you to avoid prolonged sitting and suggest getting up to move around.

 When "T30" is flashing, pressing the  button repeatedly allows you to set different sedentary reminder intervals: 30, 45, or 60 minutes, with "OFF" indicating the sedentary reminder function is disabled.

# TROUBLESHOOTING

<b>Fault code</b>	<b>Fault Cause</b>	<b>Solution</b>
<b>E01</b>	Motor disconnect	Check for the motor connection wire
<b>E02</b>	Over-current	Clear heavy objects from the desktop for check
<b>E03</b>	Hall sensor	Check for the motor connection wire
<b>E04</b>	Power supply system	Check for the power connection wire
<b>E05</b>	Detection and protection	Restart for check
<b>E06</b>	Detection and protection	Restart for check
<b>E09</b>	Locked-rotor	Restart and clear heavy objects from the desktop for check
<b>HOT</b>	Overheat	Restart or wait for 20 minutes for check
<b>RST</b>	Illegal power outage	Check for the power connection wire