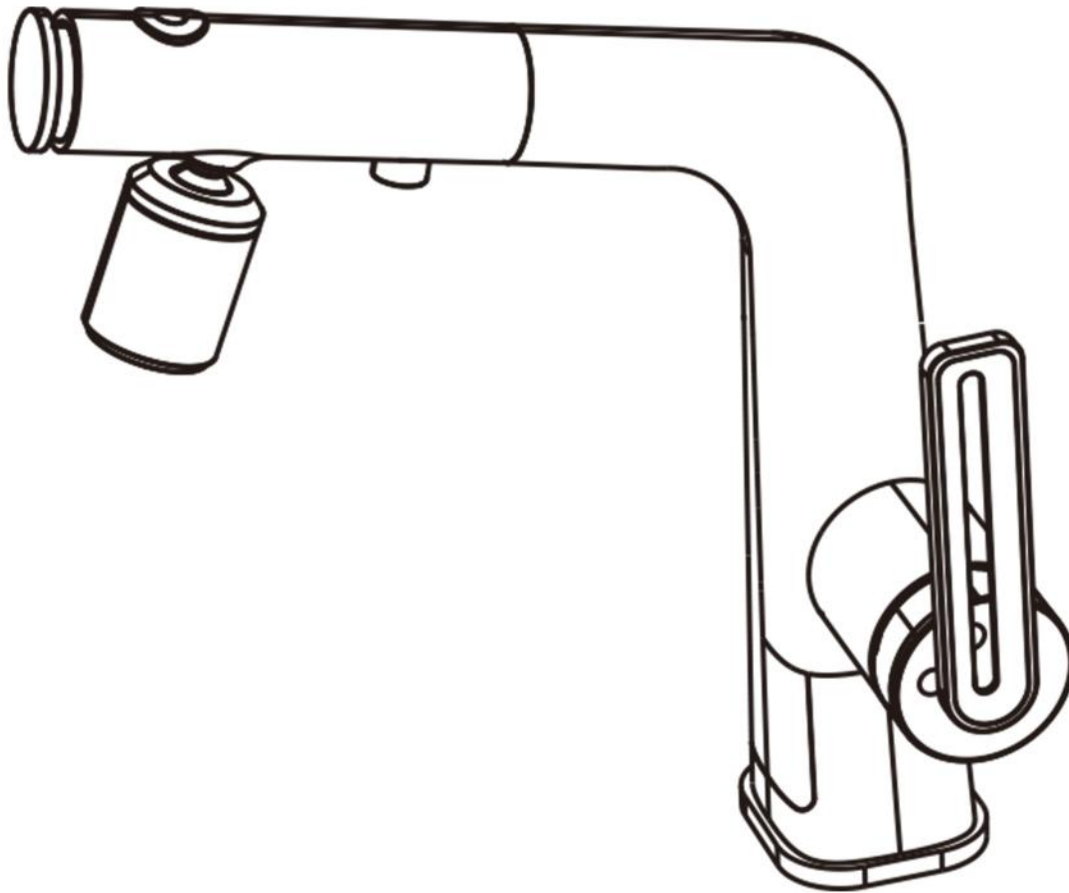


# User's Manual



# INSTALLATION INSTRUCTIONS

## Installation Manual



**IAPMO RESEARCH AND TESTING, INC.**  
5001 East Philadelphia Street, Ontario, California 91761-2810 - USA • 909-472-4100 • 909-472-4244 • www.iapmotest.org

**CERTIFICATE OF LISTING**

**C**  IAPMO Research and Testing, Inc. is a product certification body which tests and reports compliance from the applicant's claim or from the receipt of a certificate of approval to verify compliance to the requirements of applicable codes and standards. This activity is subject to periodic verification of the applicant's factory and operations as well as the assessment of the applicant's Quality Assurance System. This listing is subject to the conditions set forth in the IAPMO Research and Testing, Inc. Rules of Certification and is not to be construed as any recommendation, assurance or guarantee by IAPMO Research and Testing, Inc. of the product manufactured by the applicant.

This certificate is not evidence of current listing. To verify listing status, visit the IAPMO R&T Product Listing Directory at [pld.iapmo.org](http://pld.iapmo.org)

Effective Date: December 2019    Rev. 2/24/2020    Void After: December 2024

Product: Flexible Water Connectors    File No. 5113

Issued To: Fankai Group Inc.  
Mechanical & Electrical  
Industrial Zone,  
Fuhuan County,  
Yuhuan    317800,    308211800  
China

Identification: Products shall be marked with manufacturer's name or trademark, a statement "For use with water in accessible locations only." The product shall also bear the cUPC® certification mark. Markings shall be by means of either a permanent mark on the product, a label on the product or a tag attached to the product.

Characteristics: Flexible water connectors manufactured in various sizes, lengths and metal and fittings for hot or cold water applications that consist of an inner tube, which may or may not have an outer braided cover. Connectors are to be installed for use in accessible locations only. To be installed in accordance with the manufacturer's instruction, and the latest edition of the Uniform Plumbing Code and National Plumbing Code of Canada.

Products listed on this certificate have been tested by an IAPMO R&T recognized laboratory. This recognition has been granted based upon the

   
Chairman, Product Certification Committee    CEO, The IAPMO Group

This listing is based on a report upon the test data of the month indicated on the Effective Date and prior test data shown above. Any change in material, manufacturing process, marking or design without notifying first obtained the approval of the Product Certification Committee. In any instance of manufacturing process, marking or design without notifying first obtained the approval of the Product Certification Committee, all are subject to investigation and withdrawal from listing. This is deemed sufficient cause for revocation of this listing. Persistence of an offender to this listing by submitting program may be made only by specific written permission of IAPMO Research and Testing, Inc. Any alteration of this certificate must be approved for acceptance of this listing. This document shall be reproduced in its entirety.

**IAPMO RESEARCH AND TESTING, INC.**  
5001 East Philadelphia Street, Ontario, California 91761-2810 - USA • 909-472-4100 • 909-472-4244 • www.iapmotest.org

**CERTIFICATE OF LISTING**

**C**  IAPMO Research and Testing, Inc. is a product certification body which tests and reports compliance from the applicant's claim or from the receipt of a certificate of approval to verify compliance to the requirements of applicable codes and standards. This activity is subject to periodic verification of the applicant's factory and operations as well as the assessment of the applicant's Quality Assurance System. This listing is subject to the conditions set forth in the IAPMO Research and Testing, Inc. Rules of Certification and is not to be construed as any recommendation, assurance or guarantee by IAPMO Research and Testing, Inc. of the product manufactured by the applicant.

This certificate is not evidence of current listing. To verify listing status, visit the IAPMO R&T Product Listing Directory at [pld.iapmo.org](http://pld.iapmo.org)

Effective Date: November 2019    Void After: November 2024

Product: Plumbing Fixture Fittings    File No. 1063

Issued To: Aqua Gallery Co., Ltd  
193-193 810 Street,  
International Development  
Sanitary City, 520000  
Foshan,  
China

Identification: Plumbing supply fittings complying with this Standard shall be marked with the manufacturer's recognized name, trademark, or other mark or, in the case of private labeling, the name, trademark or other mark of the customer for whom the fitting was manufactured. The marking shall be accomplished by use of a permanent mark or by placing a permanent label on the product. Markings on plumbing supply fittings shall be visible after installation.

Single-handle, single-control, and automatic compensating mixing bath and shower valves shall have identifiable temperature control settings in which the settings are indicated by words "cold", "warm", "hot", etc.), by numbers, or graphically.

Products shall be marked with the manufacturer's name, trademark, or other mark as well as the model number or, in the case of private

   
Chairman, Product Certification Committee    CEO, The IAPMO Group

This listing is based on a report upon the test data of the month indicated on the Effective Date and prior test data shown above. Any change in material, manufacturing process, marking or design without notifying first obtained the approval of the Product Certification Committee. In any instance of manufacturing process, marking or design without notifying first obtained the approval of the Product Certification Committee, all are subject to investigation and withdrawal from listing. This is deemed sufficient cause for revocation of this listing. Persistence of an offender to this listing by submitting program may be made only by specific written permission of IAPMO Research and Testing, Inc. Any alteration of this certificate must be approved for acceptance of this listing. This document shall be reproduced in its entirety.

**IAPMO RESEARCH AND TESTING, INC.**  
5001 East Philadelphia Street, Ontario, California 91761-2810 - USA • 909-472-4100 • 909-472-4244 • www.iapmotest.org

**CERTIFICATE OF LISTING**

**C**  IAPMO Research and Testing, Inc. is a product certification body which tests and reports compliance from the applicant's claim or from the receipt of a certificate of approval to verify compliance to the requirements of applicable codes and standards. This activity is subject to periodic verification of the applicant's factory and operations as well as the assessment of the applicant's Quality Assurance System. This listing is subject to the conditions set forth in the IAPMO Research and Testing, Inc. Rules of Certification and is not to be construed as any recommendation, assurance or guarantee by IAPMO Research and Testing, Inc. of the product manufactured by the applicant.

This certificate is not evidence of current listing. To verify listing status, visit the IAPMO R&T Product Listing Directory at [pld.iapmo.org](http://pld.iapmo.org)

Effective Date: March 2023    Void After: March 2024

Product: Plumbing Fixture Fittings - Components    File No. MC-9703

Issued To: Jingbo Nantai Cartridge Technology Co., Ltd.  
Jingbo Zone, Zhongguo  
Fengfeng    301000 315558  
China

Identification: Each fitting component shall bear permanent legible markings to identify the manufacturer. This marking shall be the trade name, trademark, or other mark known to identify the manufacturer. The product shall also bear all other markings required by the standards. The marking shall be applied so as to be visible after installation. The product or packaging shall also bear the cUPC® certification mark along with the term "COMPONENT" above.

Characteristics: Plumbing fixture fitting components to be installed in accordance with the manufacturer's instructions and the requirements of the latest edition of the Uniform Plumbing Code.

Products listed on this certificate have been tested by an IAPMO R&T recognized laboratory. This recognition has been granted based upon the Laboratory's compliance to the applicable requirements of ISO/IEC 17025.


Products are in compliance with the following code(s):  
Uniform Plumbing Code (UPC®)

   
Chairman, Product Certification Committee    CEO, The IAPMO Group

This listing is based on a report upon the test data of the month indicated on the Effective Date and prior test data shown above. Any change in material, manufacturing process, marking or design without notifying first obtained the approval of the Product Certification Committee. In any instance of manufacturing process, marking or design without notifying first obtained the approval of the Product Certification Committee, all are subject to investigation and withdrawal from listing. This is deemed sufficient cause for revocation of this listing. Persistence of an offender to this listing by submitting program may be made only by specific written permission of IAPMO Research and Testing, Inc. Any alteration of this certificate must be approved for acceptance of this listing. This document shall be reproduced in its entirety.

# BEFORE INSTALLATION

## I. Introduction

 Thank you very much for choosing our products. In order to facilitate your use of our products, please read this manual carefully when installing this product.

### Installation Precautions

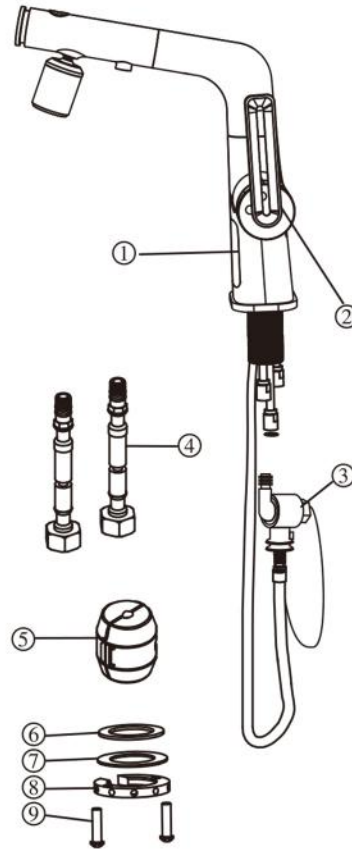
1. After opening the product package, please check whether the spare parts are complete or not according to the accessories listed in the "Standard Accessories List". If there is any defect, please contact the local dealer immediately.
2. The purchased basin matches the basic installation size of this product.
3. The main part of the faucet of the main body group has been tested and debugged by the factory, please do not disassemble it by yourself.
4. Special attention must be paid to the connection of the faucet to the cold and hot water pipes: the red hose is connected to hot water, and the blue hose is connected to cold water. If the connection is wrong, it will be opposite to the red and blue logo on the handle.
5. Before installing the faucet, be sure to remove the impurities and sludge in the pre-buried water pipe to avoid blockage and affect the water outlet function!
6. After installation, please turn on the water source, and then check whether the joints are tightly connected to ensure that there is no leakage.
7. Inlet water pressure requirements: 0.1MPas inlet water pressure  $\leq$  1.0 Mpa.
8. The medium temperature is 4-90°C
9. The torque of the nut joint should not exceed 10Nm.
10. The hose cannot be bent excessively to ensure that the hose is not deformed after installation.



### Kind tips:

1. It is recommended to install the faucet two months after the house is decorated.
2. It is recommended not to install the faucet in a highly corrosive environment. If you want to install, please clean the surface of the faucet frequently, otherwise the service life of the faucet will be shortened.

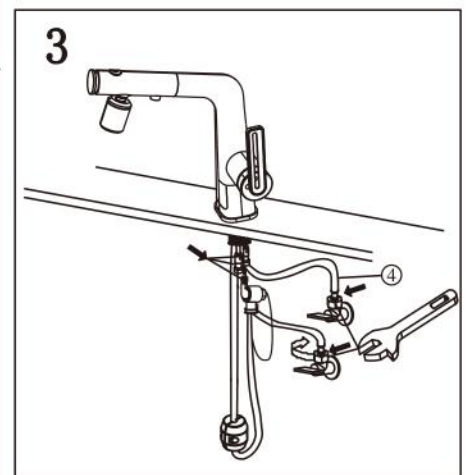
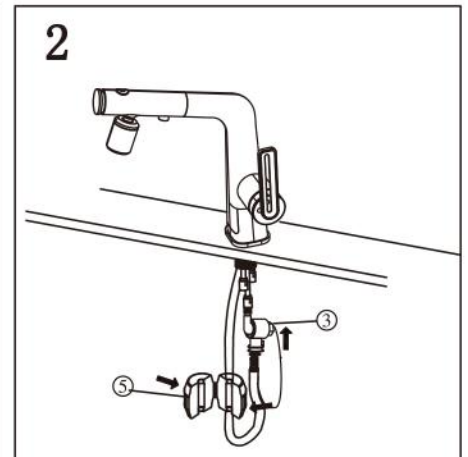
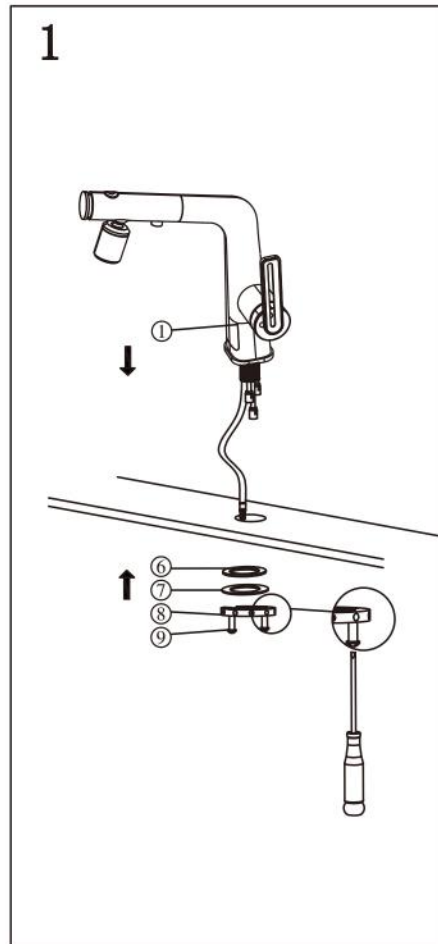
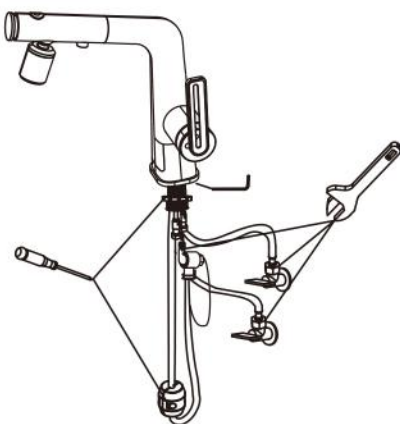
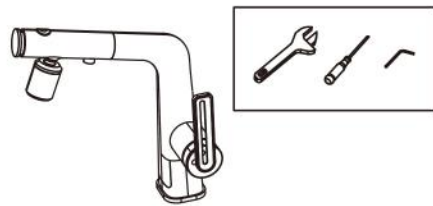
## 2. Product accessories list



### Component Parts List

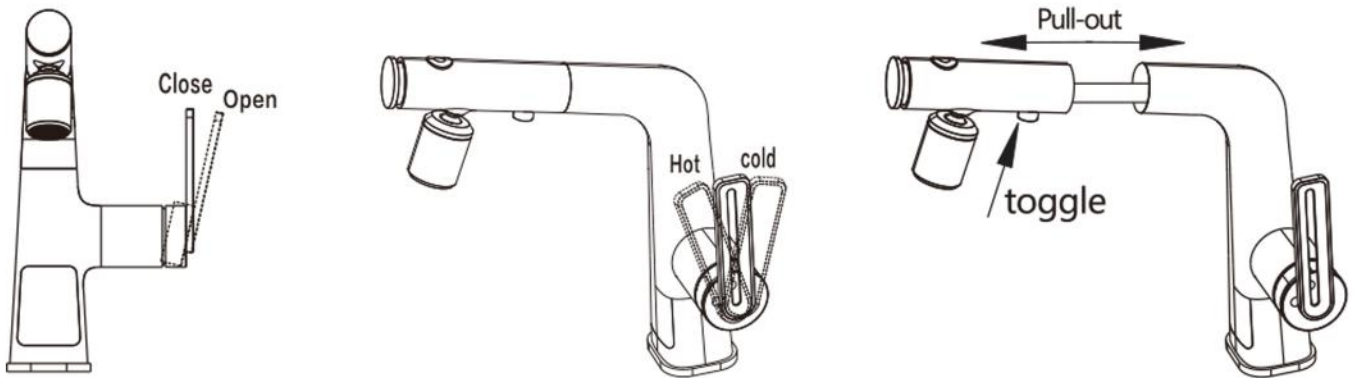
| NO | Part Name           |
|----|---------------------|
| 1  | Body                |
| 2  | Handle              |
| 3  | Hydraulic generator |
| 4  | Hose                |
| 5  | Weight              |
| 6  | Washer              |
| 7  | Washer              |
| 8  | Scerw               |
| 9  | Lock nut            |

# INSTALLATION STEPS



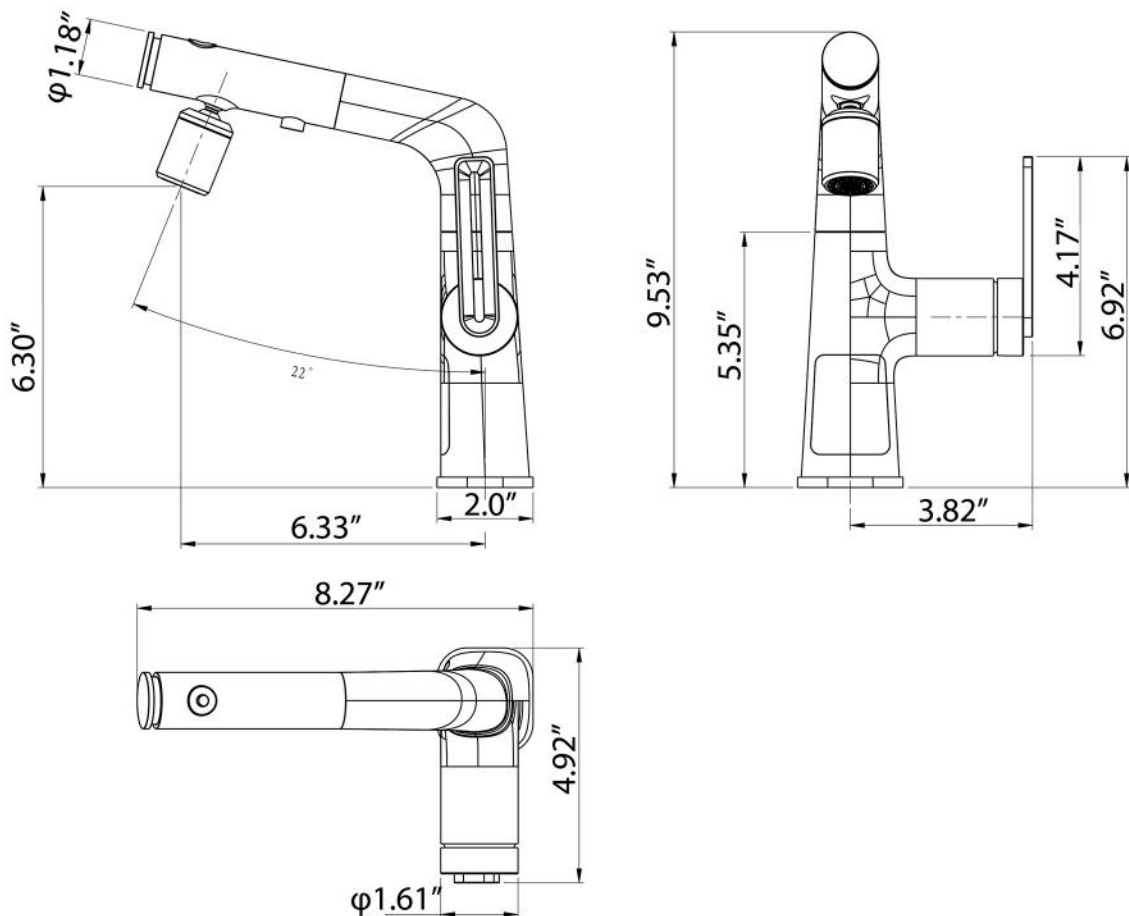
# INSTRUCTIONS FOR USE

1. Gradually turn the handle, which is more beneficial to protect the valve core.
2. Pull the handle to the right to open, the larger the angle, the larger the flow; on the contrary, the smaller the angle, the smaller the flow, until it is closed.
3. When the handle is opened to the right, adjust clockwise to increase the supply of coldwater; adjust counterclockwise, the hot water supply increased.
4. The shower head can be used for extraction, which is convenient for long-distance washing. And through the switch button on the shower head, you can buy a bubbler to discharge water. Switch with shower-ike water outlet.
- 5 The water outlet can be rotated 360 degrees.



## PRODUCT SIZE

Unit:mm(The size shown is for reference only)



The company has always pursued a policy of continuous improvement and improvement of product design and performance and reserves changes to its products

# SERVICE GUIDE FOR LEADING CONSUMERS

Warranty regulations: The company's faucet valve core is guaranteed for five years, and the rest of the components are guaranteed for one year. This warranty is based on the effective date of the invoice of the purchase of the product.

In the following cases, the company provides paid services, but is not responsible:

1. Modifications due to improper installation by users;
2. Damage in transit;
3. Aging due to normal use and unused original parts,
4. Damage caused by maintenance by non-company employees
5. Failure to follow the technical instructions for use,
6. Due to freezing and debris left in the water pipe;
7. Problems caused by insufficient water pressure, or excessive impurities in the water and

## CARE AND MAINTENANCE

To keep the faucet surface clean and bright, please clean the faucet frequently or regularly:

- The product is made of refined copper. It is often cleaned with water, and the faucet can be dried with a soft cotton cloth.
- Do not use granular detergents such as decontamination powder or nylon brushes, so as not to damage the product;
- Since acidic detergents can erode the surface, they should not be used. If the tiles have been washed with acidic detergents, the tiles and utensils should be washed with water immediately to prevent the detergents from washing on the surface of the faucet and eroding the surface of the faucet.



If doing extensive cleaning, follow these procedures:

1. Use clean water and a soft cloth to remove the surface dirt and scale film as much as possible;
2. Use any of the following cleaning agents to remove surface dirt and scale films;

- mild liquid cleanser
- Colorless glass cleaner, non-abrasive powdered cleaner that dissolves completely (and mix as directed)
- Non-abrasive polish.

3. After cleaning, please remove all cleaning agents with clean water, and wipe dry with a soft cotton cloth.

**Please feel free to contact us if you have any questions. We will help to solve the issue together with you.**

