



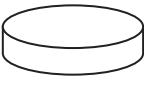



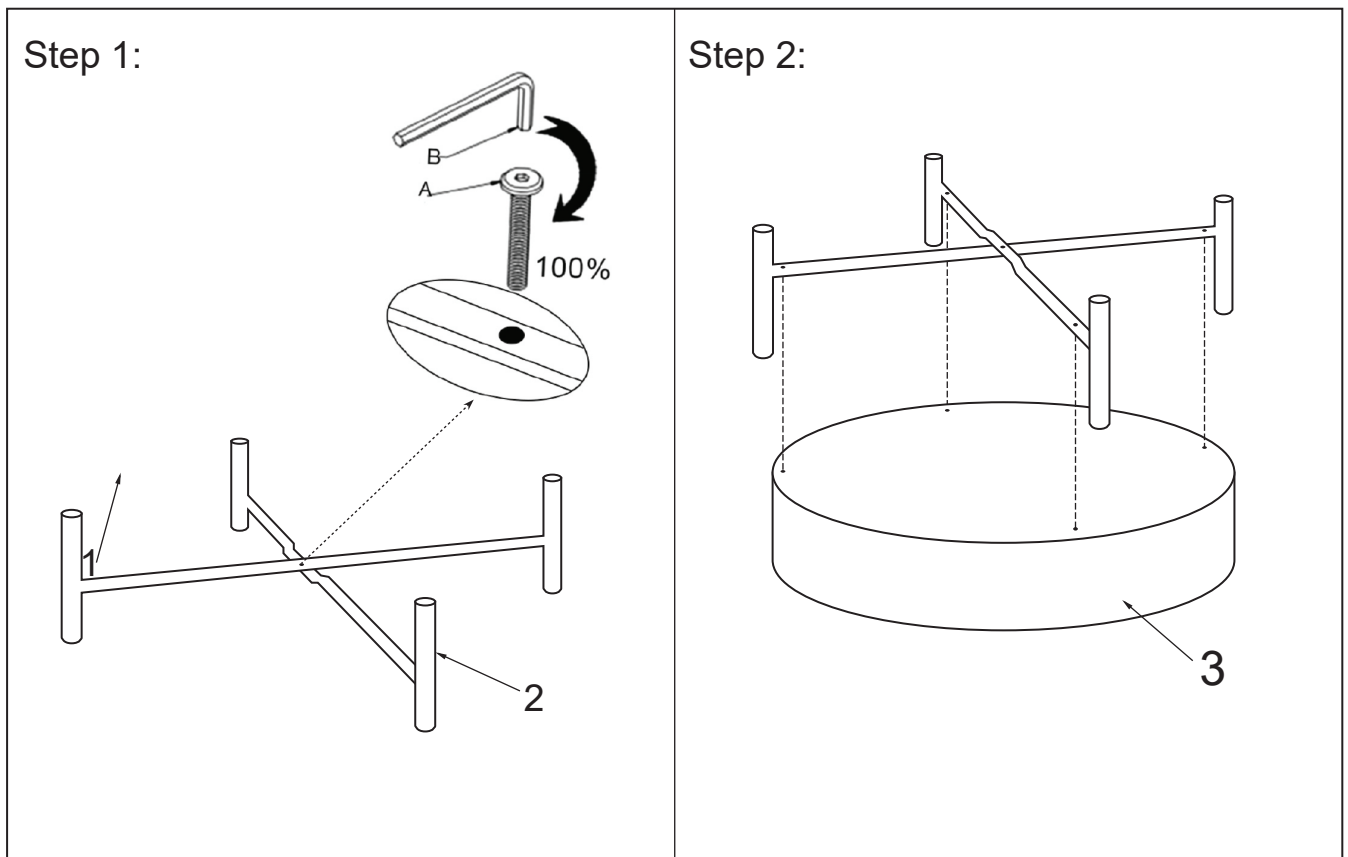
# ASSEMBLY INSTRUCTIONS

ITEM NO: 12751

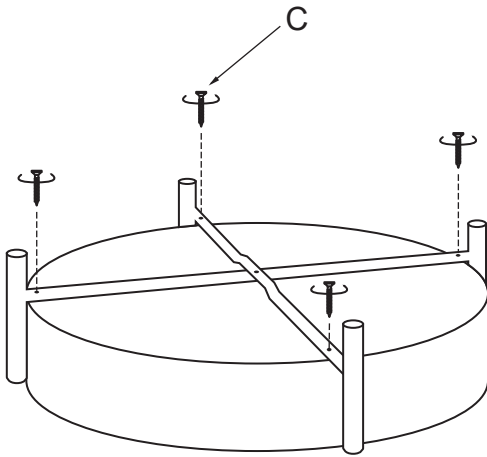
Thank you for purchasing this quality product. Be sure to check all packing material carefully for small parts that may have come loose inside carton during shipment

Parts List				Hardware List				
No:	DESCRIPTION	SKETCH	QUANTITY	No:	SKETCH	DESCRIPTION	SIZE	QUANTITY
1	Metal base		1Pc	A		Allen bolt	M6X35mm	1Pc
2	Metal base		1Pc	B		Allen key	M6X58mm	1Pc
3	Table top		1Pc	C		Screw		4Pc

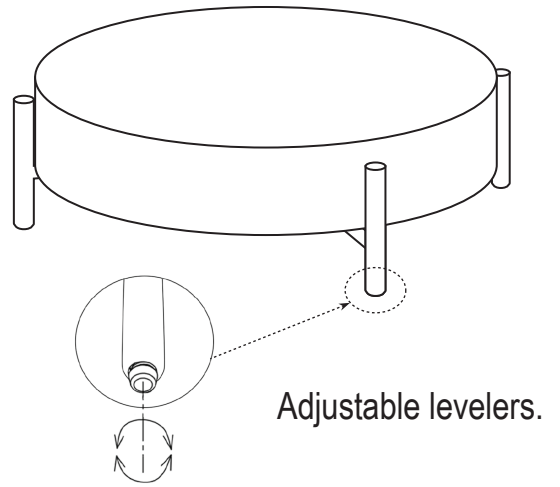
Place the tabletop on a clean, soft surface (such as a blanket) during assembly to avoid scratching



Step 3:

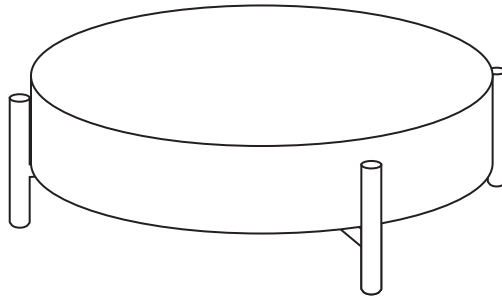


Step 4:



Step 5:

Finish



Once all parts are aligned and properly in place, fully tighten all screws, and tighten gradually and evenly to avoid misalignment