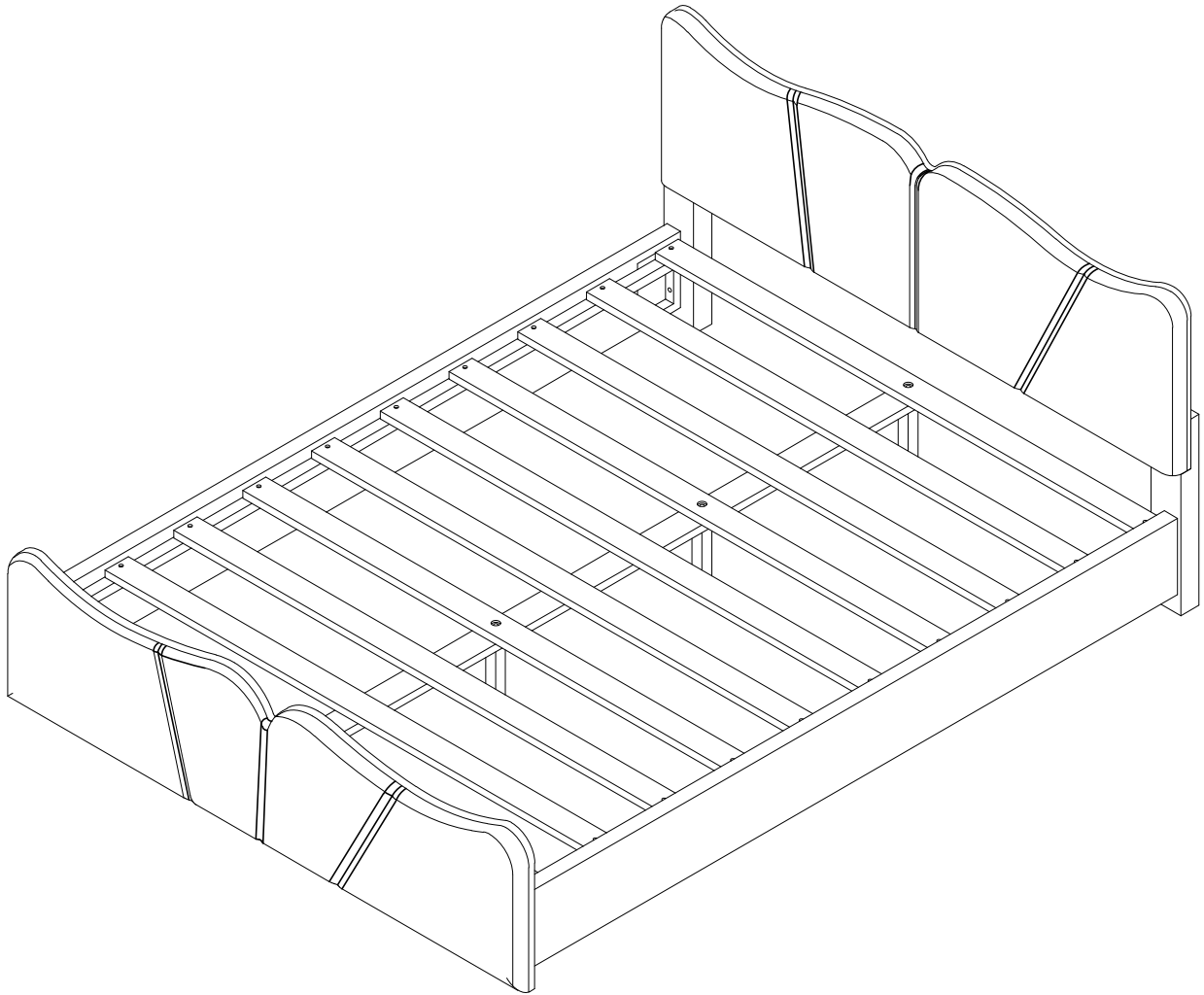
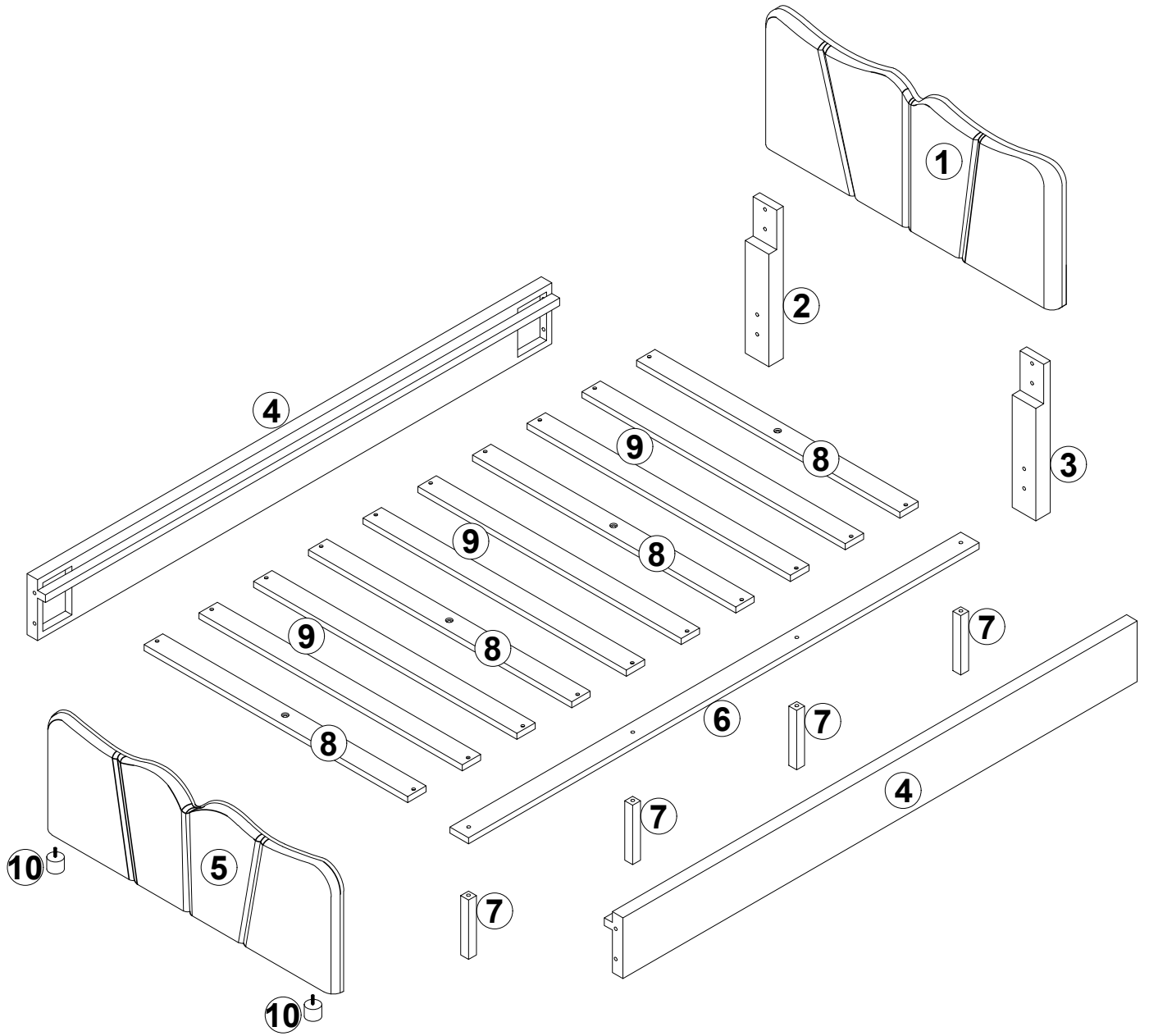


ASSEMBLY INSTRUCTION

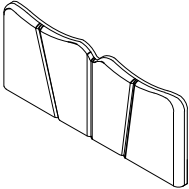


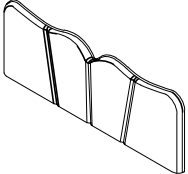
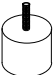
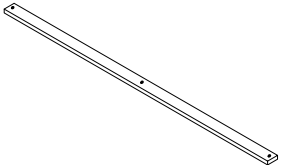
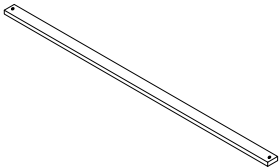
SKU CODE: WF531525 / WF531526



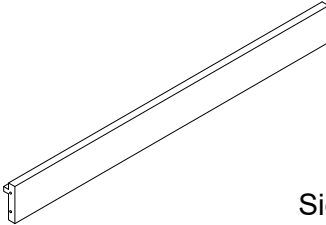
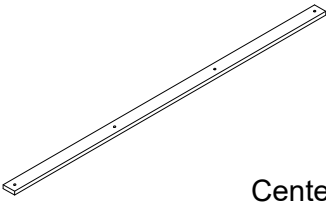

Detail View - FULL BED



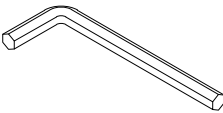
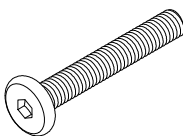


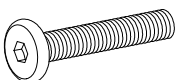


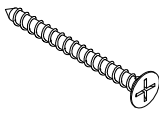
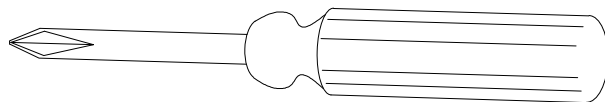
Part Lists: WF531525

<p>1</p>  <p>Headboard-1pc</p>	<p>2</p>  <p>Headboard left leg -1pc</p>
<p>3</p>  <p>Headboard right leg-1pc</p>	<p>5</p>  <p>Footboard - 1pc</p>
<p>10</p>  <p>Footboard leg -2pcs</p>	<p>8</p>  <p>Bed slat 1 - 4pcs</p>
<p>9</p>  <p>Bed slat 2 - 6pcs</p>	

Part Lists: WF531526

<p>4</p>  <p>Side rail - 2pcs</p>	<p>6</p>  <p>Center crossbar - 1pc</p>
<p>7</p>  <p>Center support leg - 4pcs</p>	

HARDWARE LISTS: WF531526

<p>A</p>  <p>4mm Allen key (1pc)</p>	<p>B</p>  <p>Ø5/16" x 50mm Hex-head bolt (12pcs)</p>
<p>C</p>  <p>Ø5/16" Spring washer (12pcs)</p>	<p>D</p>  <p>Ø5/16" Flat washer(12pcs)</p>
<p>E</p>  <p>Ø1/4" x 45mm Hex-head bolt (4pcs)</p>	<p>F</p>  <p>Ø1/4" Spring washer (4pcs)</p>
<p>G</p>  <p>Ø1/4" Flat washer(4pcs)</p>	<p>H</p>  <p>Ø4 x 30mm Wood screw (20pcs)</p>
 <p>ASSEMBLY TOOLS REQUIRED (NOT INCLUDED)</p>	



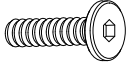
Read this instruction carefully. See hardware and furniture part list for guidance. Be sure all parts are complete, before you assemble. Place all wooden furniture parts on a clean and flat soft surface to prevent from being scratched. Follow the figure to start assembling.

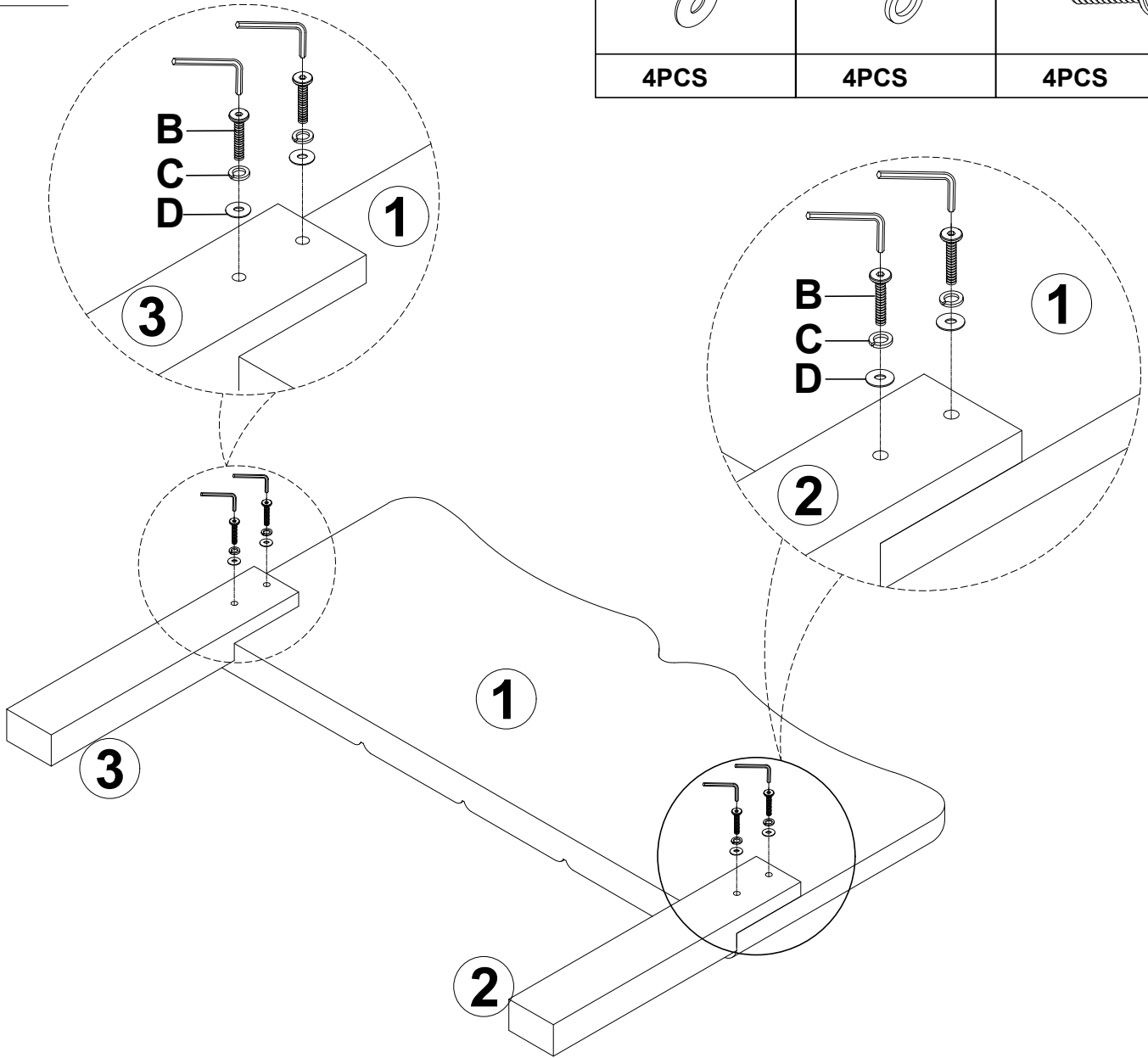
CAUTIONS :

1. Do not FULLY - TIGHTEN the nut or nut bolt until all nut or bolt is ready assembled.
2. Do not OVER - TIGHTEN the nut or bolt to avoid causing damages to the thread.
3. Keep all hardware parts out of reach of children.

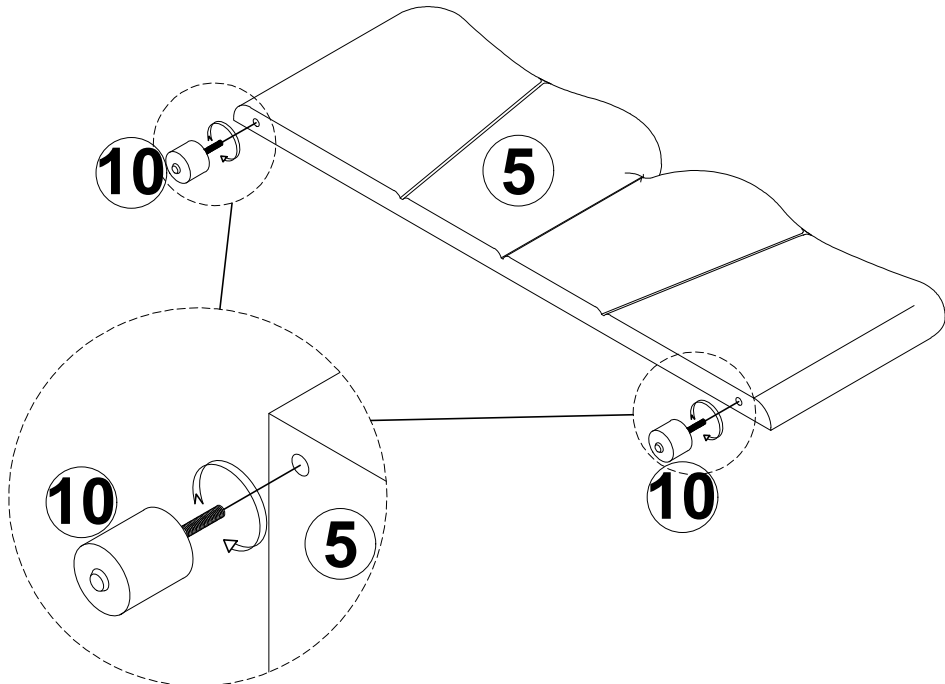
NOTE : THE LIST AND QUANTITY SHOWN ARE FOR 1 UNIT ASSEMBLY.

STEP 1



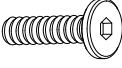
D		C		B	
4PCS		4PCS		4PCS	

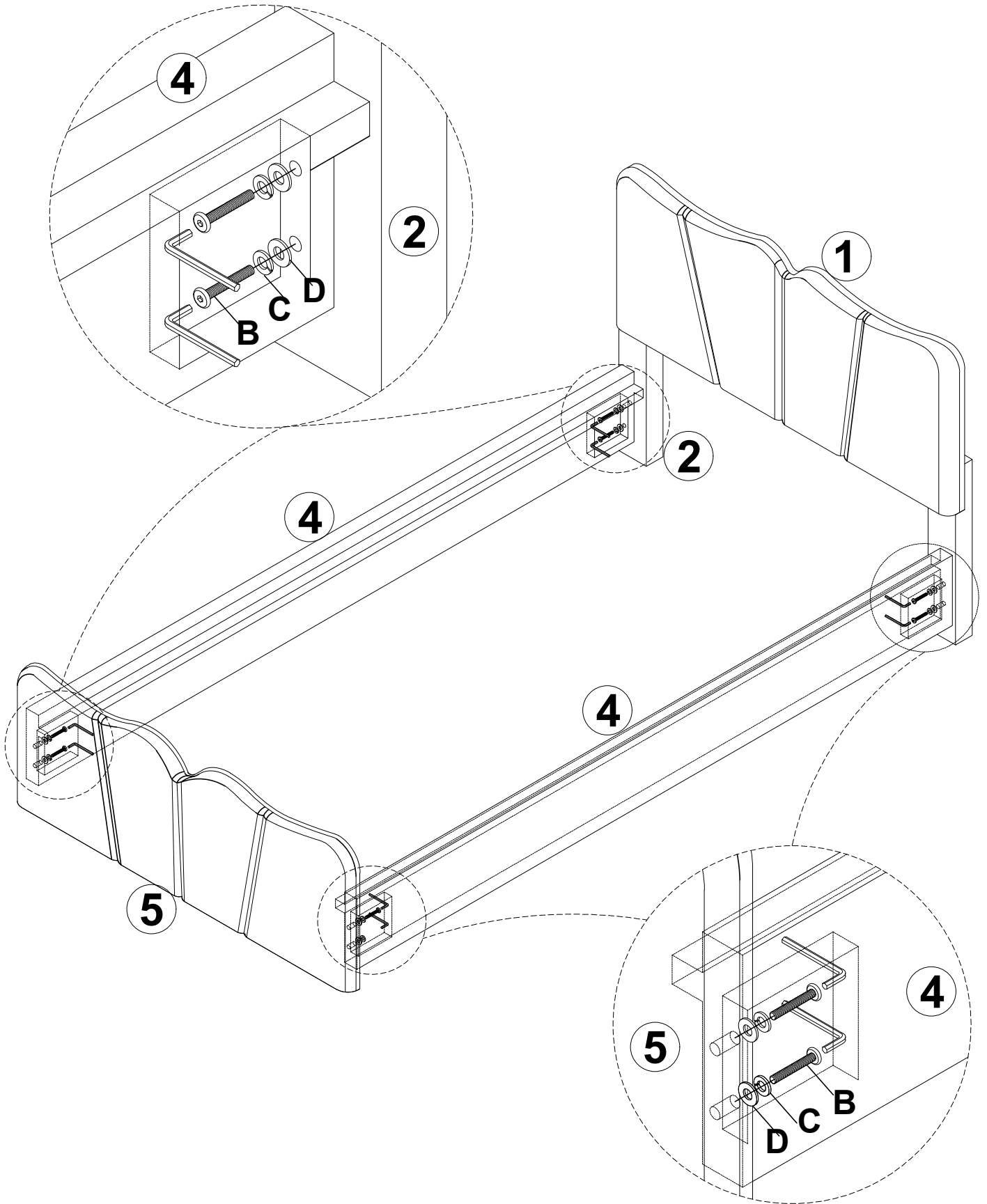


STEP 2



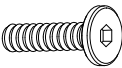


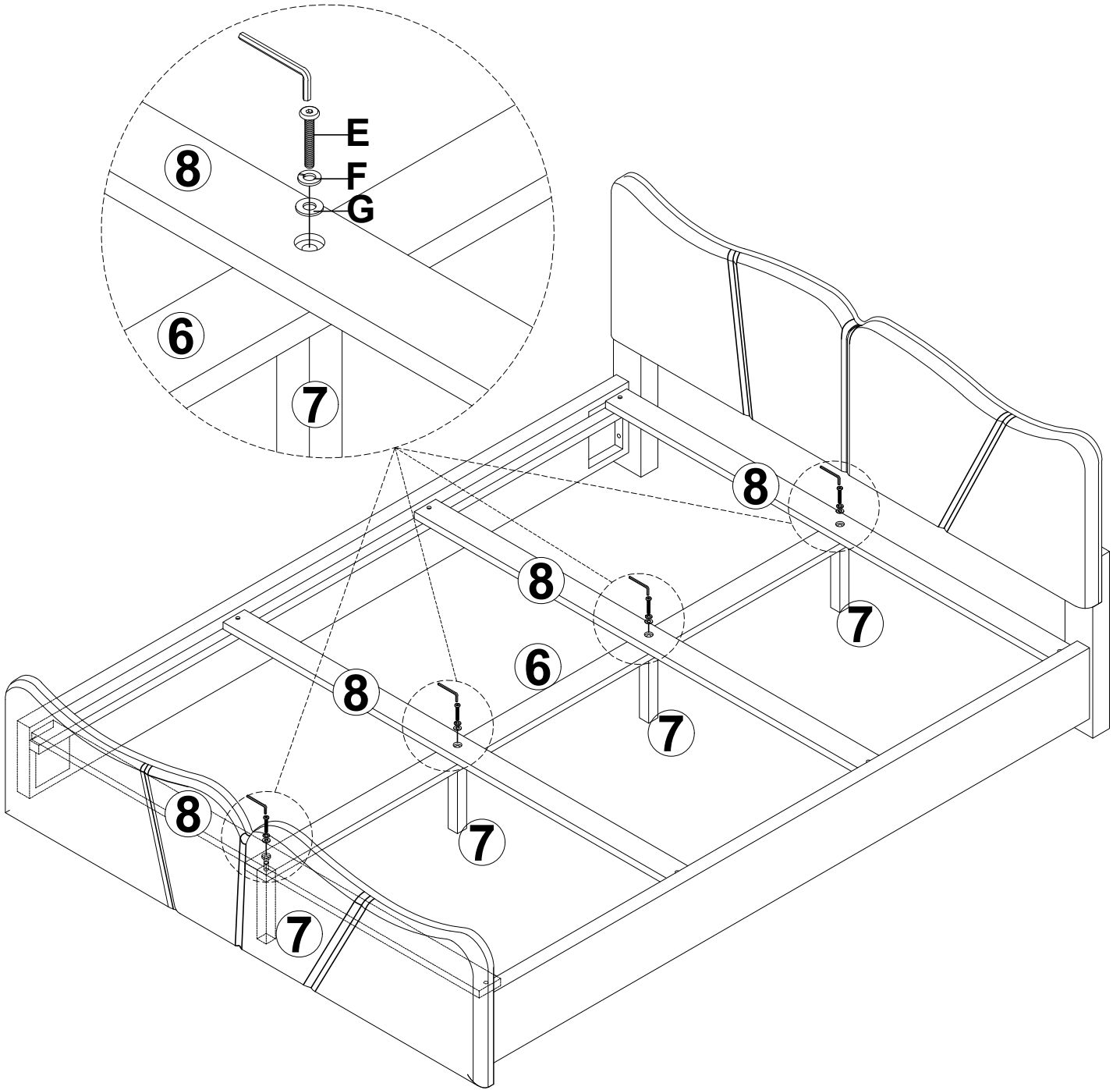
STEP 3

D		C		B	
8PCS		8PCS		8PCS	



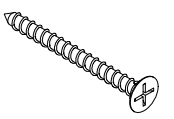
STEP 4

G		F		E	
4PCS		4PCS		4PCS	



STEP 5

H



20PCS

