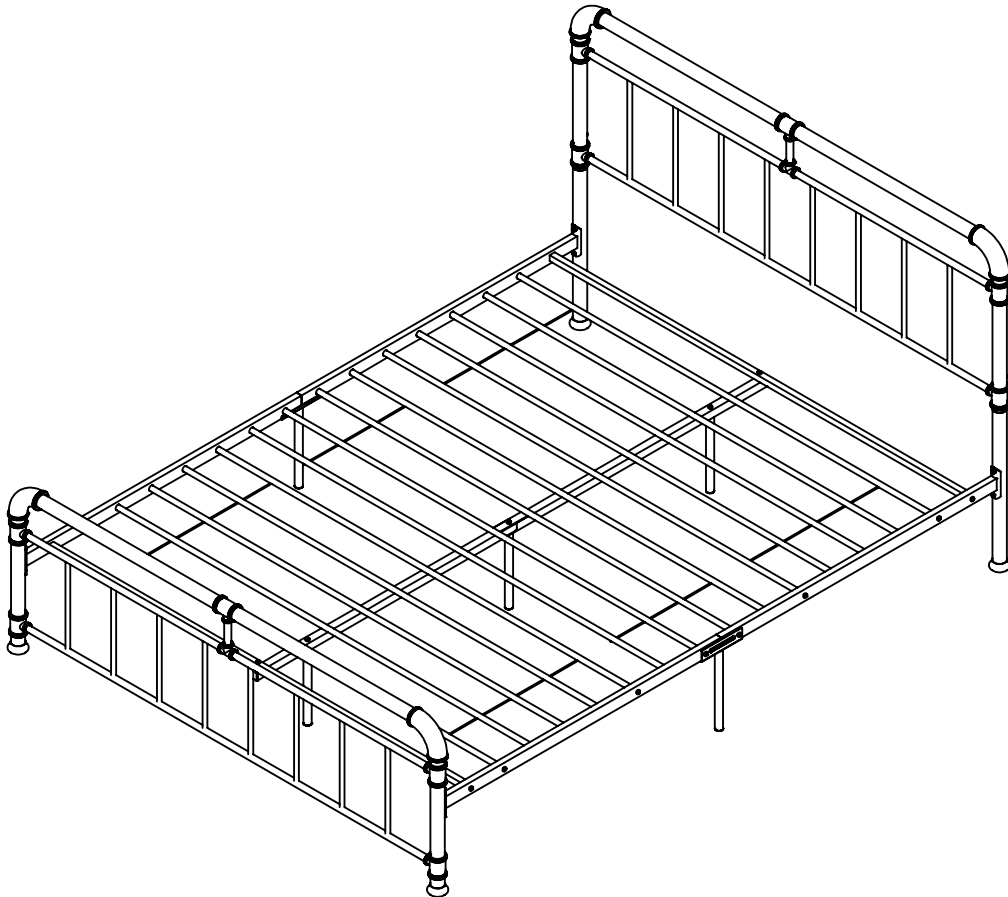


# Assembly Instructions

Caution : You must read this before you proceed

## BED



 **WARNING**  
**STRANGULATION HAZARD.**

NEVER place bed near windows where cords from blinds or drapes may strangle a child.

NEVER suspend strings over bed.

NEVER place items with a string, cord, or ribbon, such as hood strings or pacifier cords, around a child's neck. These items may catch on bed parts.

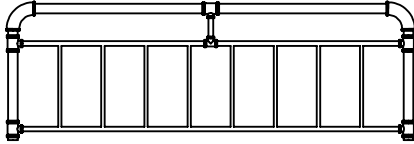

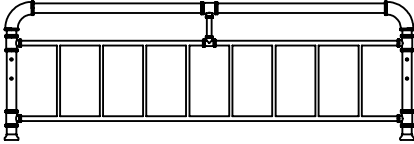
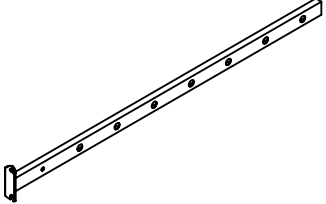
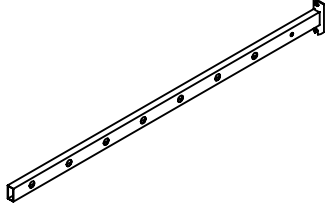
ALWAYS follow assembly instructions.

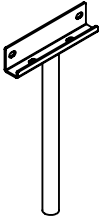
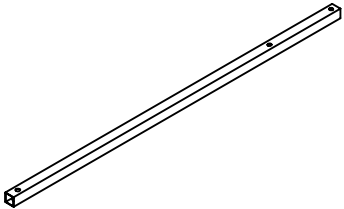
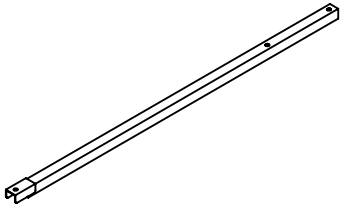
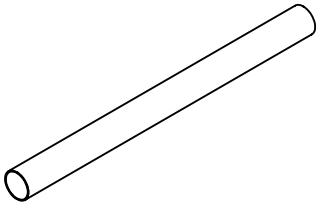
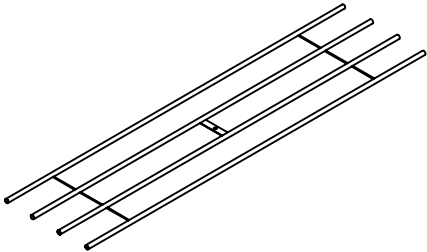
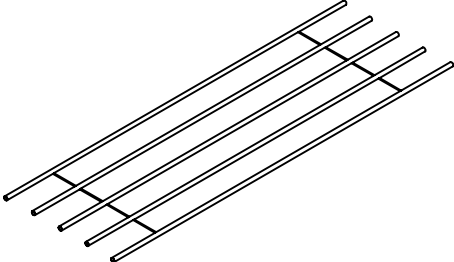
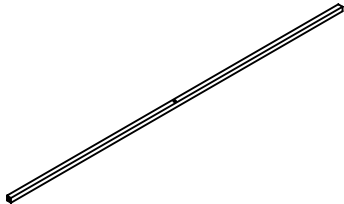
# WARNING!

Not intended for children under the age of six. INFANTS HAVE DIED FROM BECOMING ENTRAPPED IN BEDS. Openings in and between bed parts can entrap the neck and head of a small child. NEVER use bed for child under the age of six.





The mattress must be appropriately sized for the bed. If the mattress is undersized, dangerous gaps can exist and a person can become entrapped or entangled in the frame and suffocate.

## Parts List

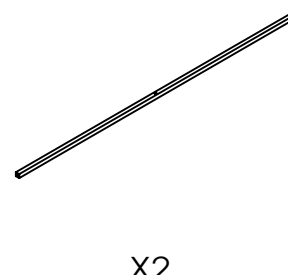
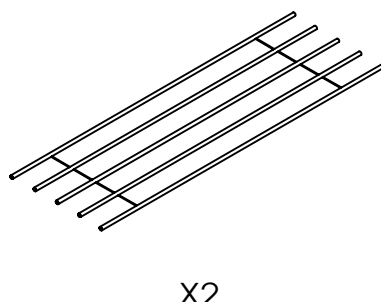
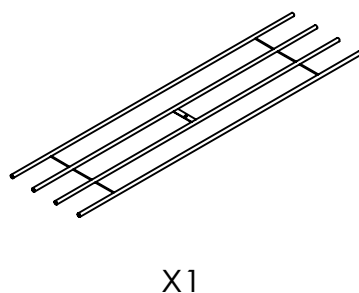
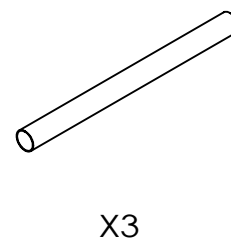
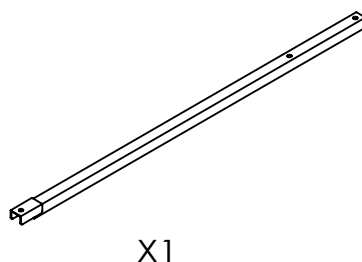
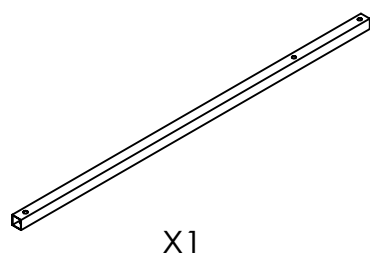
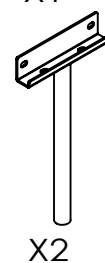
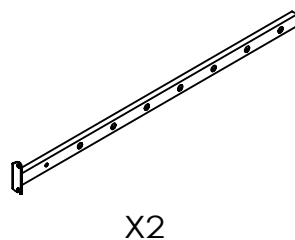
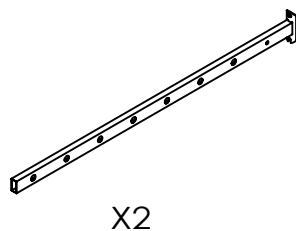
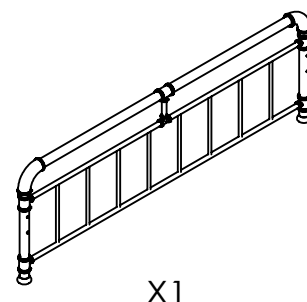
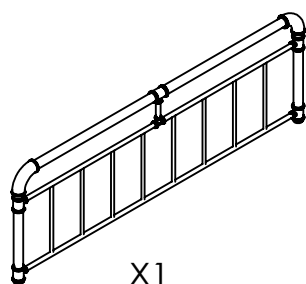
Label	Picture	Description	QTY
A		Headboard	1
B		Headboard Foot	2
C		Footboard	1
D		Side Rail (Label D)	2
E		Side Rail (Label E)	2

F		Side rail Support Foot	2
G		Support Beam	1
H		Support Beam With U Shape End	1
I		Support Foot for Beam	3
J		Bed Slate for Middle	1
K		Bed Slate for Both Ends	2
L		Cross Slats for Beam	2

# Hardware

Label	Picture	Description	QTY
①		Bolt(M6*35mm)	7
②		Bolt(M6*15mm)	30
③		Allen Key (6mm)	1
④		Washer (6mm)	9

# Assembly Preparation





- Read instructions, cover to cover-



- Have 2 adults on hand for assembly-



- Do not assemble on flooring or carpet-

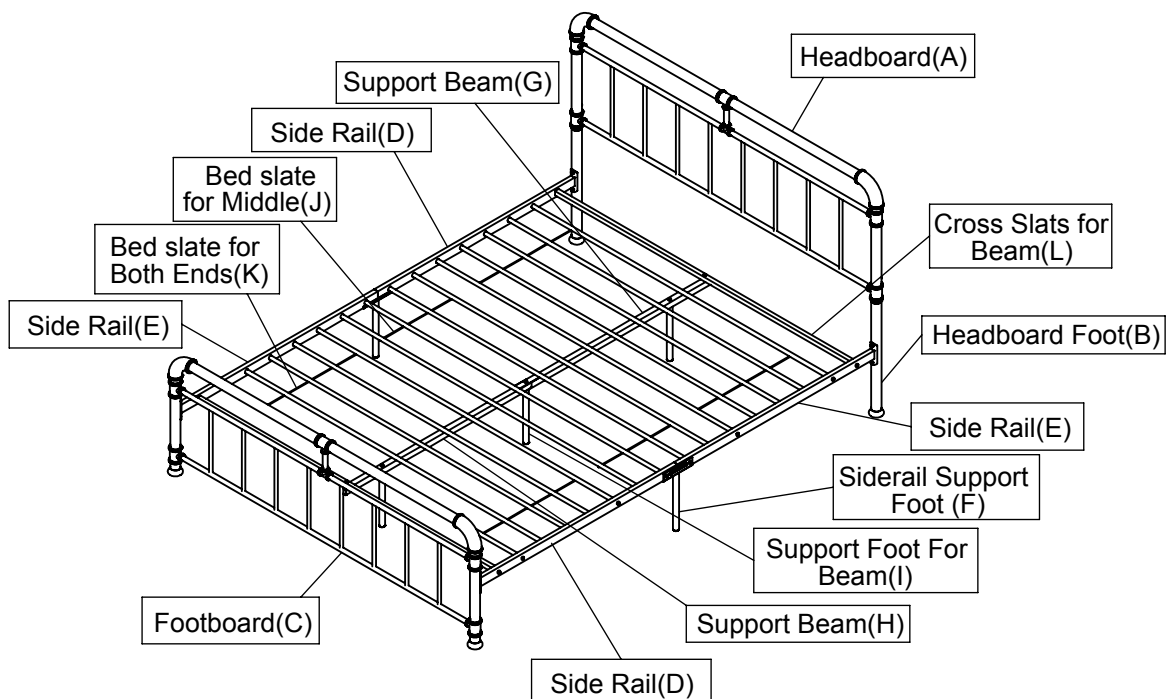


- Assemble on a clean non-marring surface (packing foam)-



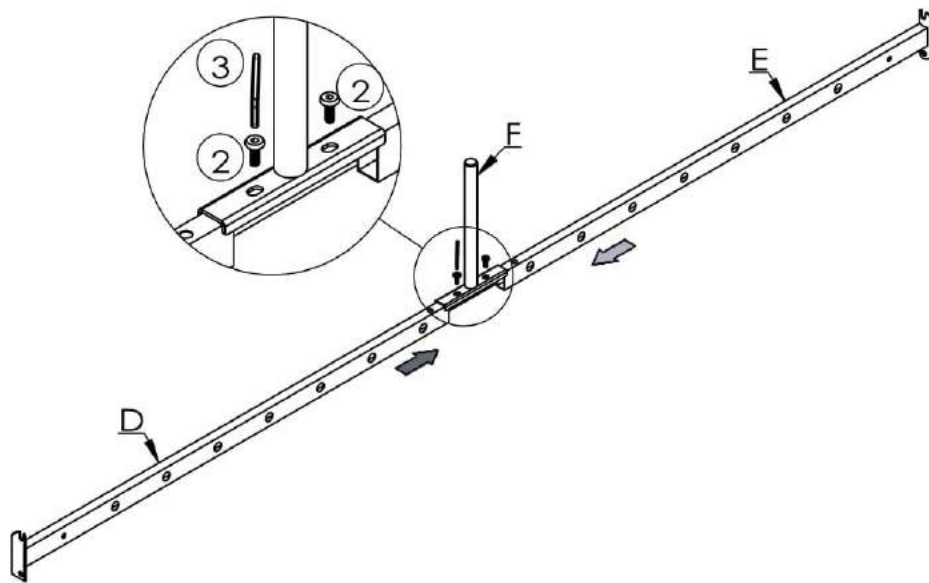
- Save all packaging until finished-

## Assembly Steps



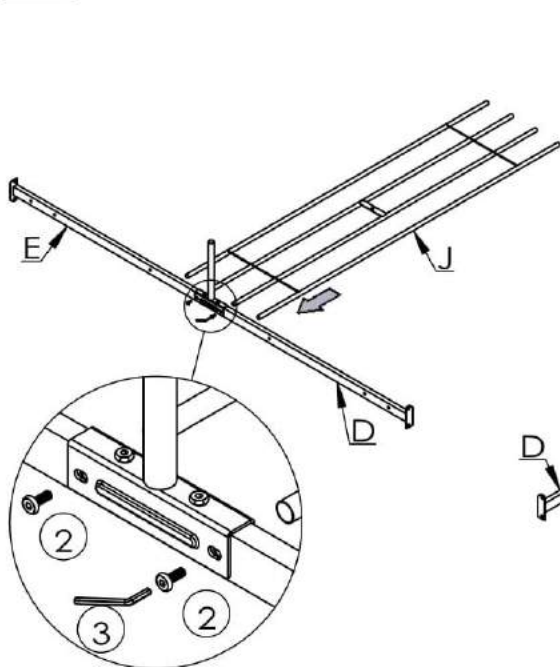
THIS BED HAS MULTIPLE PARTS AND MAY REQUIRE UP TO SOME 30 MINUTES TO ASSEMBLE. TO GIVE YOU AN OVERVIEW OF THE BED PARTS, THE ABOVE PICTURE IS TO HELP YOU PUT THE VARIOUS PARTS INTO PERSPECTIVE. PLEASE READ THROUGH THE INSTRUCTIONS HEREBELOW TO FAMILIARISE THE PARTS AND STEPS BEFORE ASSEMBLY.

Step:1

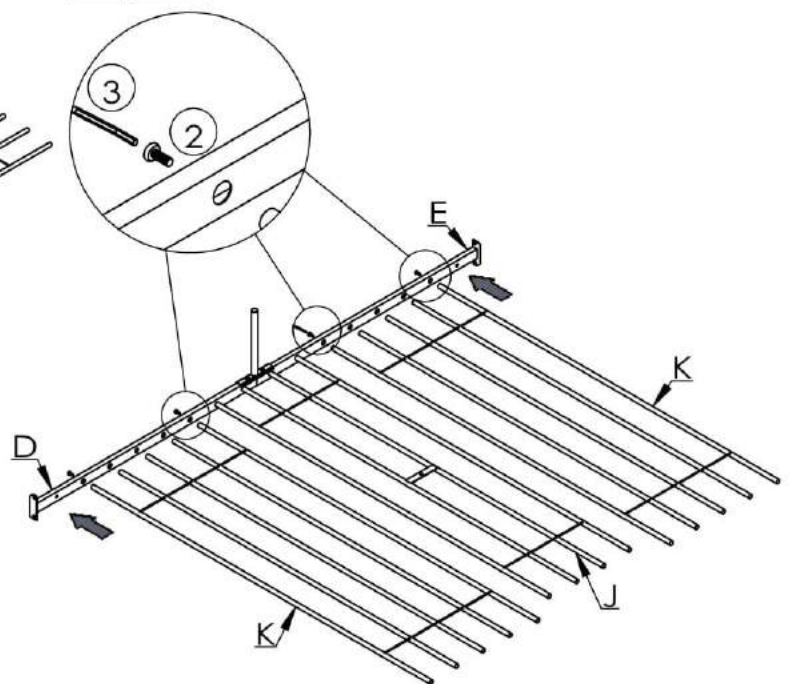


REMOVE all bed parts from packaging and lay on a soft, flat surface. Place Side Rail(D) and Side Rail(E) through Side rail Support Foot(F), Using bolt(2) with Allen key(3)  
Make sure the mounting positions of side rail(D) and side rail(E) are in the same direction.

Step:2.1

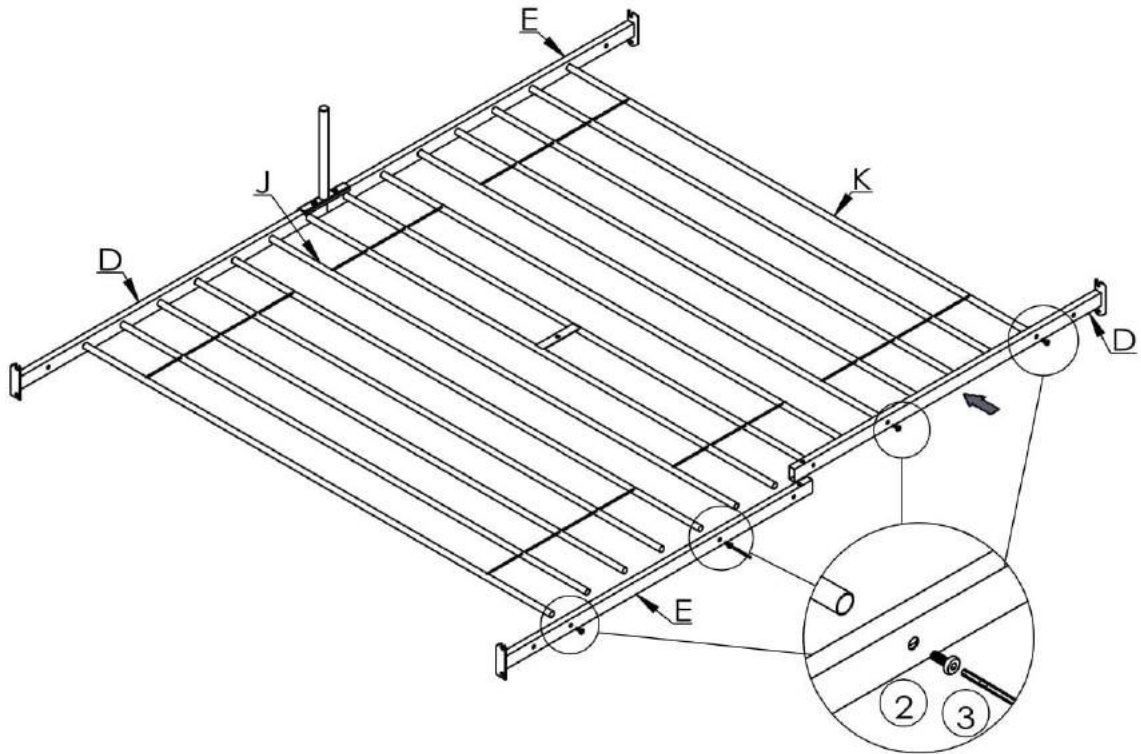


Step:2.2



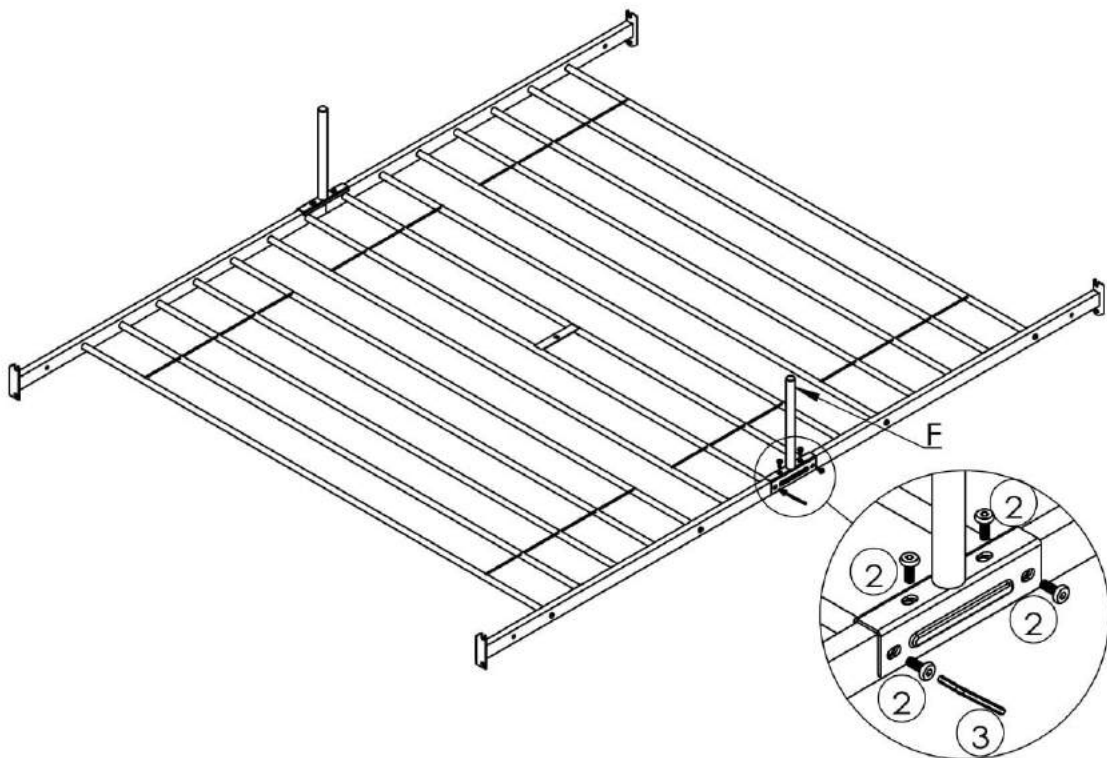
2.1) Insert Bed slats for Middle(J) into the mounting positions of Side Rail (D) and Side Rail(E), Using bolt(2) with Allen key(3)  
2.2) Insert Bed Slats for both Ends (K) into the mounting positions of Side Rail(D) and Side Rail(E), Using bolt(2) with Allen key(3)

**Step:3**



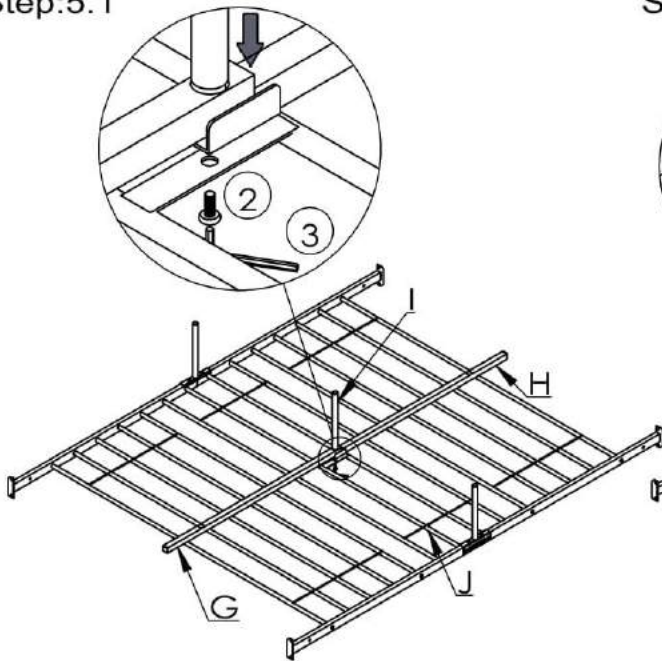
Attach Side Rail(D) to the other side of Bed slats for both Ends (K) and Bed slats for Middle(J),and using bolt(②) with Allen key(③)  
And repeat this step with Side Rail(E)

**Step:4**

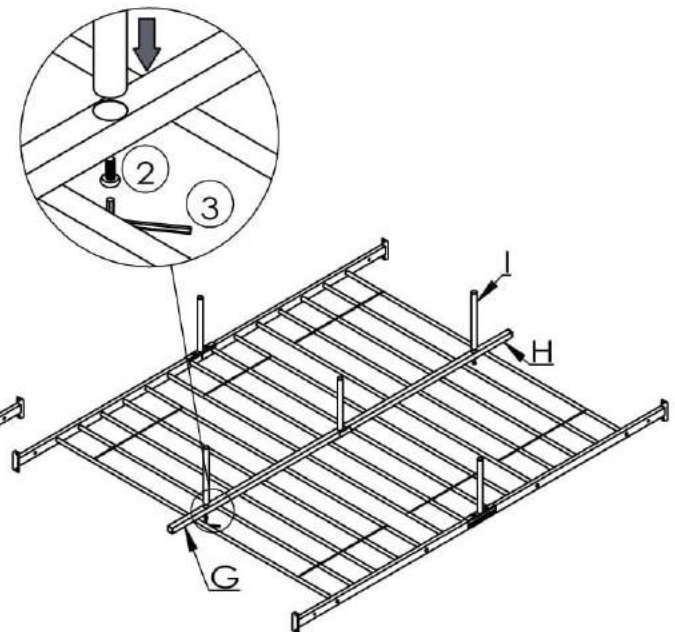


Attach Siderail Support Foot(F) onto Side Rail(D) and Side Rail(E),  
using bolt(②) with Allen key(③)

Step:5.1



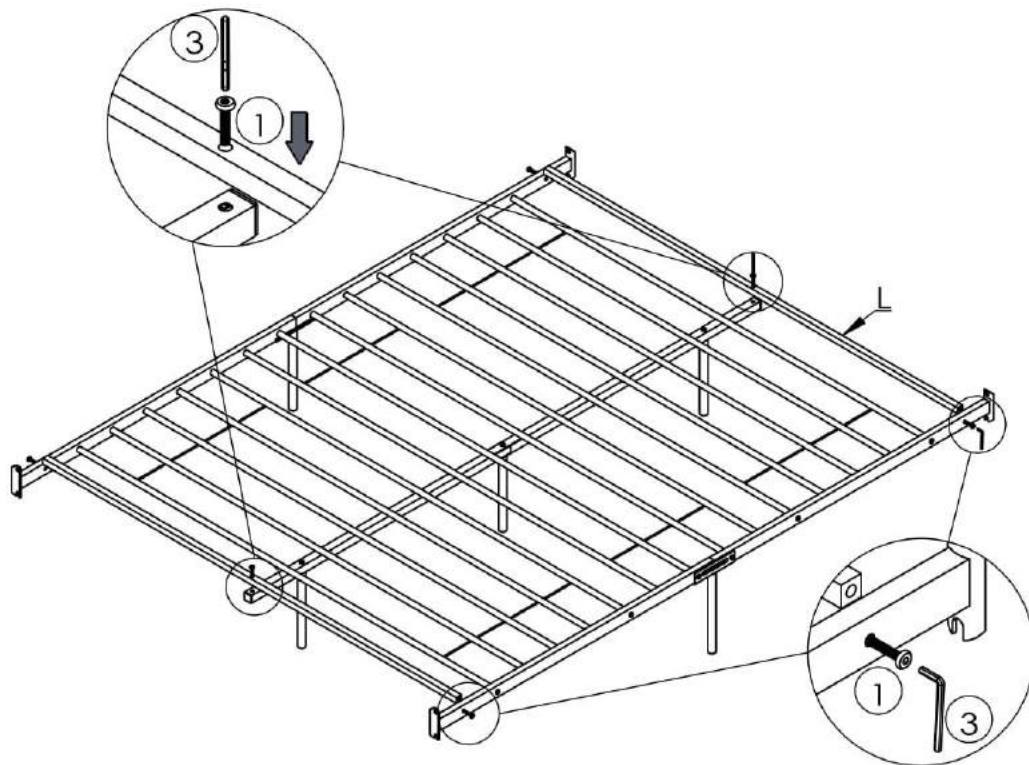
Step:5.2



5.1) Attach Support Beam With U Shape End (H), Support Beam (G) and Support Foot For Beam (I) on Bed slats for Middle (J), Using bolt (2) with Allen key (3) through the mounting position of Bed slats for Middle (J)

5.2) Attach rest of 2 Support Feet For Beam (I) to Support Beam (G) and Support Beam With U Shape End (H), Using bolt (2) with Allen key (3)

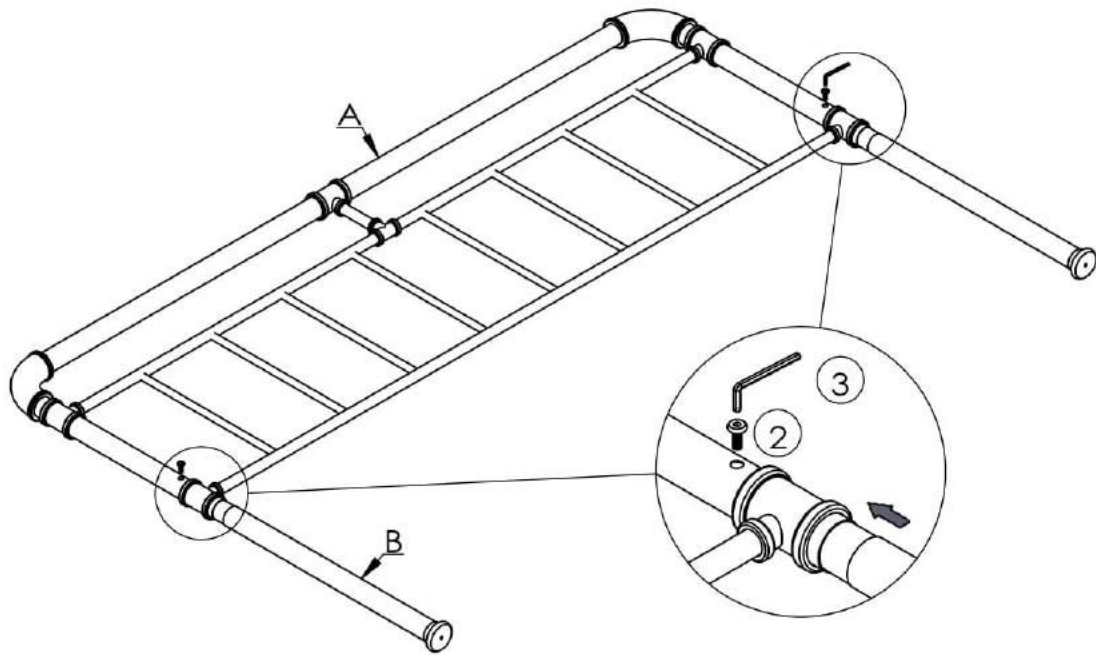
Step:6



Upside down the whole bed base, and attached 2 Cross slats for Beam (L) to the whole bed base  
Using bolt (1) with Allen key (3)

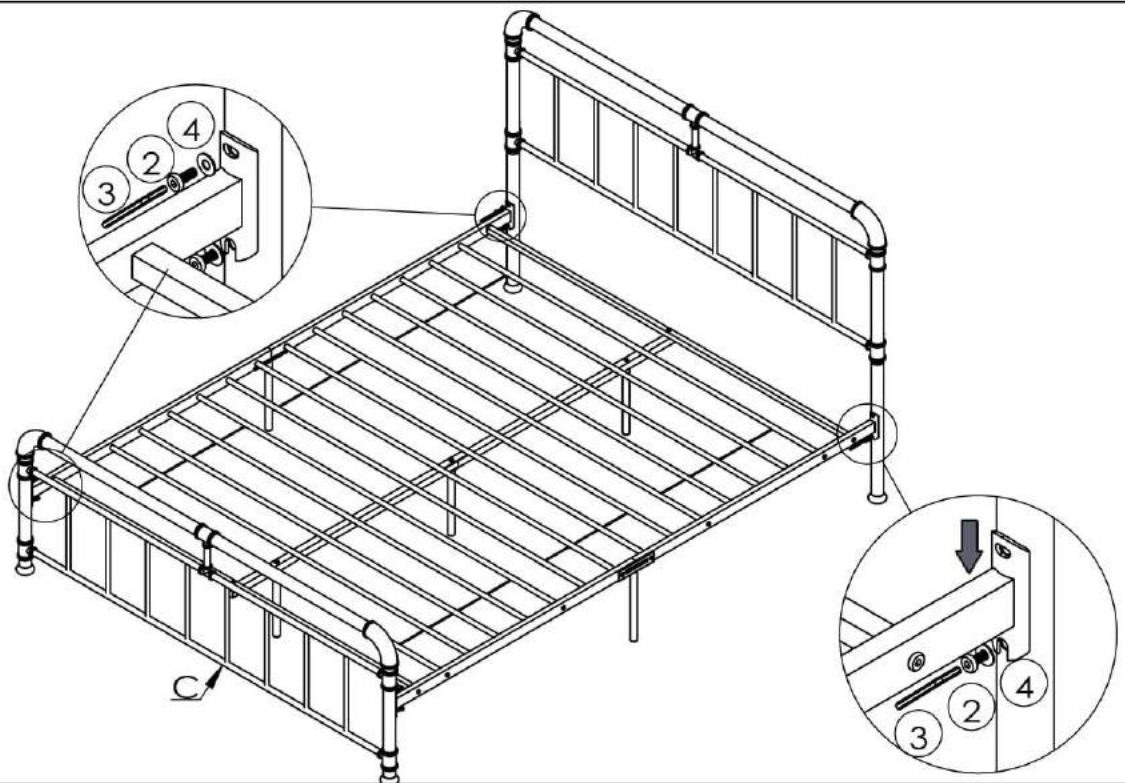


Step:7























Insert Headboard Foot(B) into Headboard(A) as shown in above picture,Then using bolt(2) with Allen key(3)

Step:8



Under the assistance of another adult,attached bedbase with Headboard(A) and Footboard(C),Using bolt(2)and washer(4)with Allen key(3)  
After all parts are assembled, tighten all bolts firmly  
Your Bed is ready for use.  
Caution: This Bed can only be used on a flat, level surface.

## Care & Maintenance

-   ● Do not put hot items directly on furniture surface
  -   ● Do not clean furniture with harsh cleansers or polish.
  -   ● Do not place furniture under direct sunlight.
  -   ● Do not place furniture near heating or cooling vents.
  -   ● Do not write on furniture without a padded barrier to protect the surface.
  -   ● Do not place furniture outside . For indoor use only .
  -   ● Not for commercial use. For residential use only .
  -   ● Stains may be removed with mild soap solution and damp cloth.
  -   ● Children should not climb or jump on the furniture.
- 
-   ● Dust and pick-up spills using a clean, non-colored, lint-free cloth .

### Questions & Answers about Proposition 65

#### • What is Proposition 65?

Proposition 65 requires businesses to provide warnings to Californians about significant exposures to chemicals that cause cancer, birth defects or other reproductive harm. These chemicals can be in the products that Californians purchase, in their homes or workplaces, or that are released into the environment. By requiring that this information be provided, Proposition 65 enables Californians to make informed decisions about their exposures to these chemicals.

Proposition 65 also prohibits California businesses from knowingly discharging significant amounts of listed chemicals into sources of drinking water.

Proposition 65 requires California to publish a list of chemicals known to cause cancer, birth defects or other reproductive harm. This list, which must be updated at least once a year, has grown to include approximately 900 chemicals since it was first published in 1987. • What types of chemicals are on the Proposition 65 list?

The list contains a wide range of naturally occurring and synthetic chemicals that include additives or ingredients in pesticides, common household products, food, drugs, dyes, or solvents. Listed chemicals may also be used in manufacturing and construction, or they may be byproducts of chemical processes, such as motor vehicle exhaust. • What does a warning mean?

If a warning is placed on a product label or posted or distributed at a workplace, a business, or in rental housing, the business issuing the warning is aware or believes that it is exposing individuals to one or more listed chemicals.

By law, a warning must be given for listed chemicals unless the exposure is low enough to pose no significant risk of cancer or is significantly below levels observed to cause birth defects or other reproductive harm.

#### • Where can I get more information on Proposition 65?

If you have specific questions on the administration or implementation of Proposition 65, you can contact OEHHA's Proposition 65 program at P65. Questions@oehha.ca.gov, or by phone at (916) 445-6900.