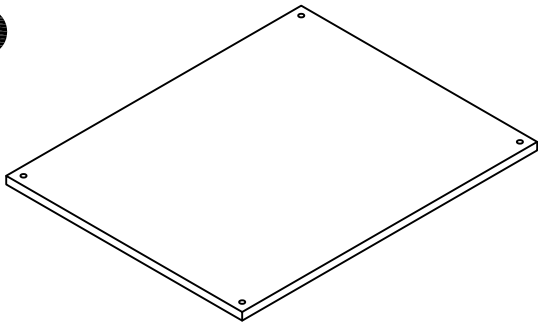


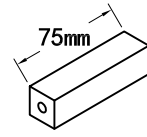
Parts List

1



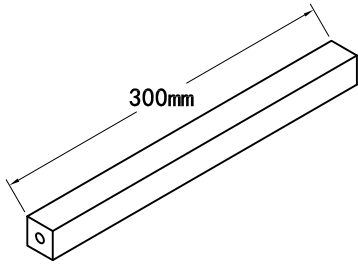
x3

2



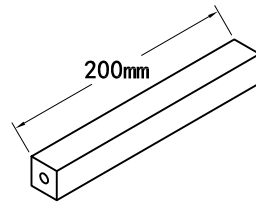
x4

3



x4

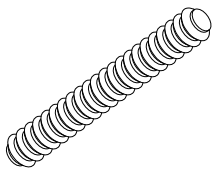
4



x4

Reminder: Please pay attention to distinguish the screws

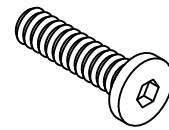
A



x8+1

M6*45mm

K



x4+1

M6*28mm

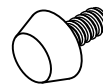
S



x1

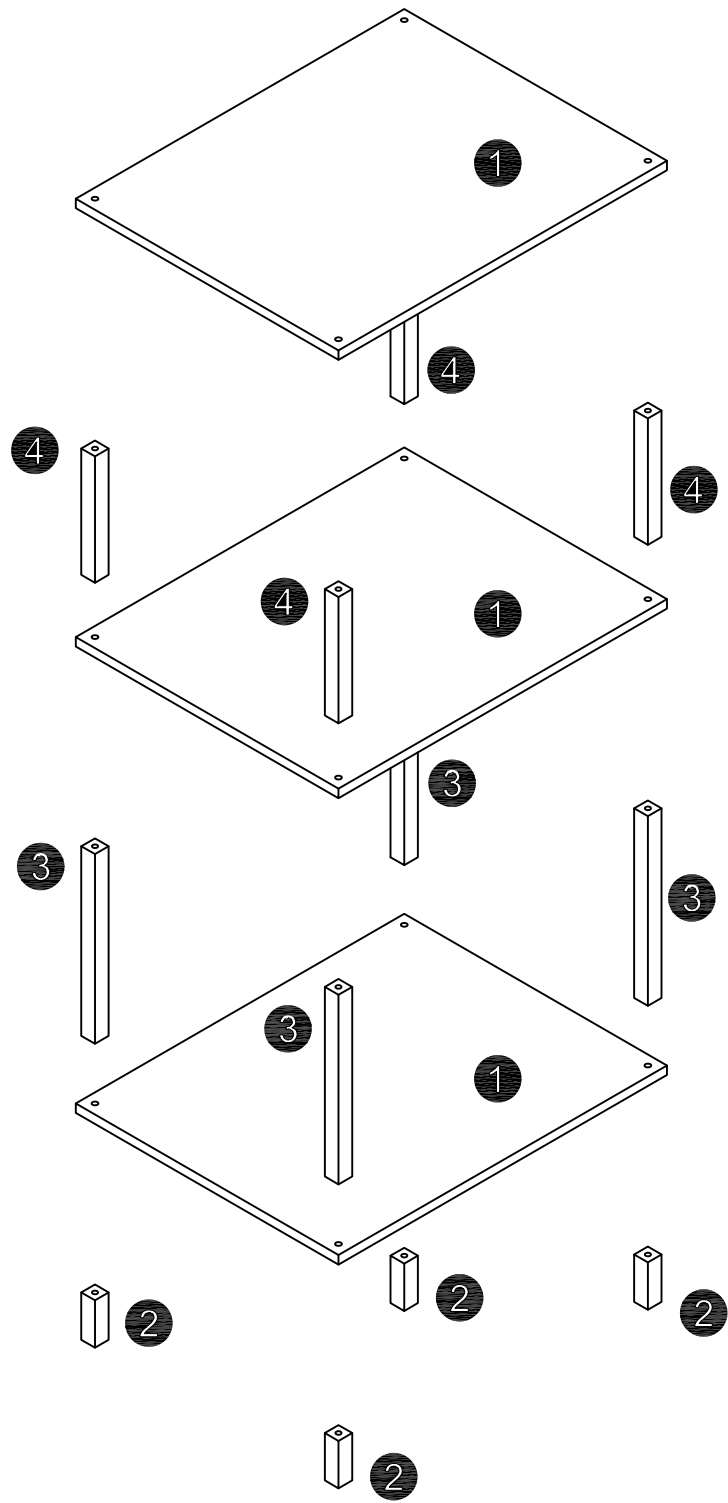
M4

J

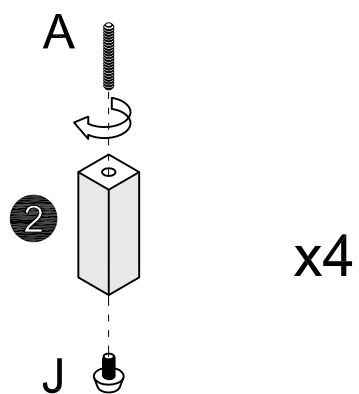


x4

M6

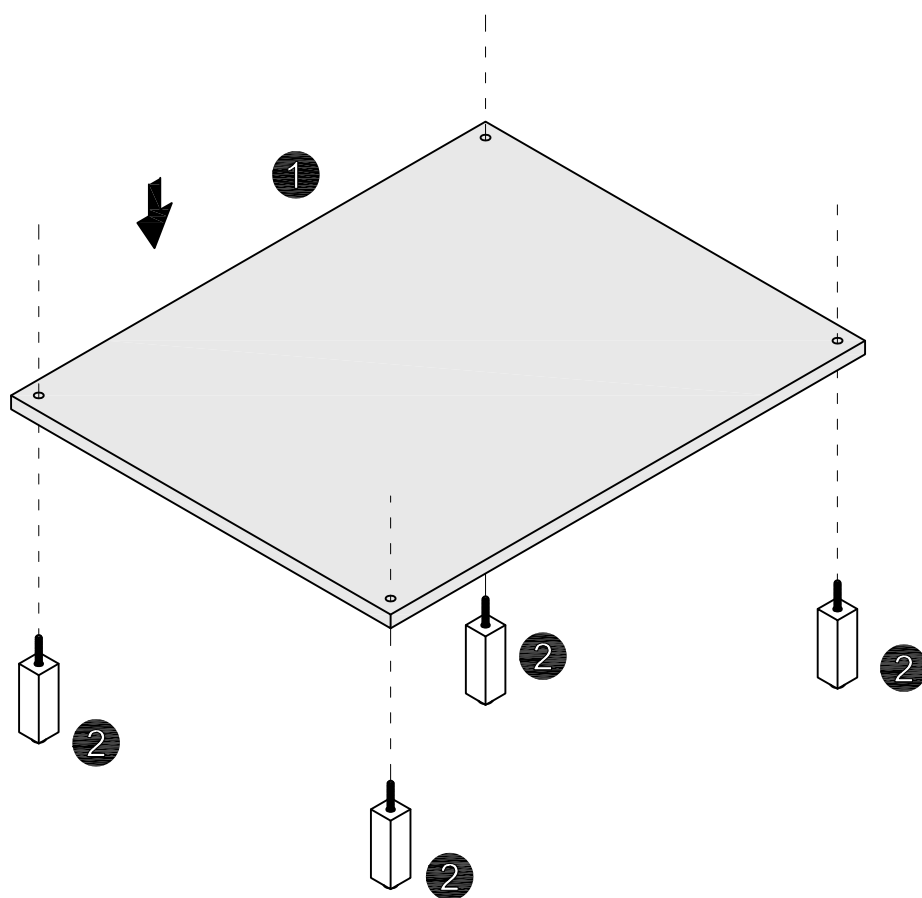


STEP 1



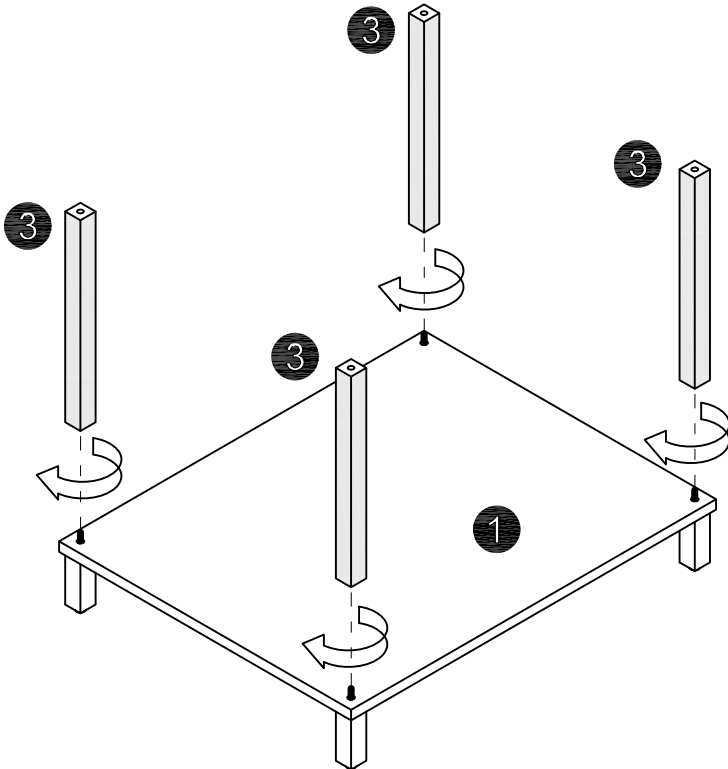
2	x 4PCS
A	x 4PCS
J	x 4PCS

STEP 2



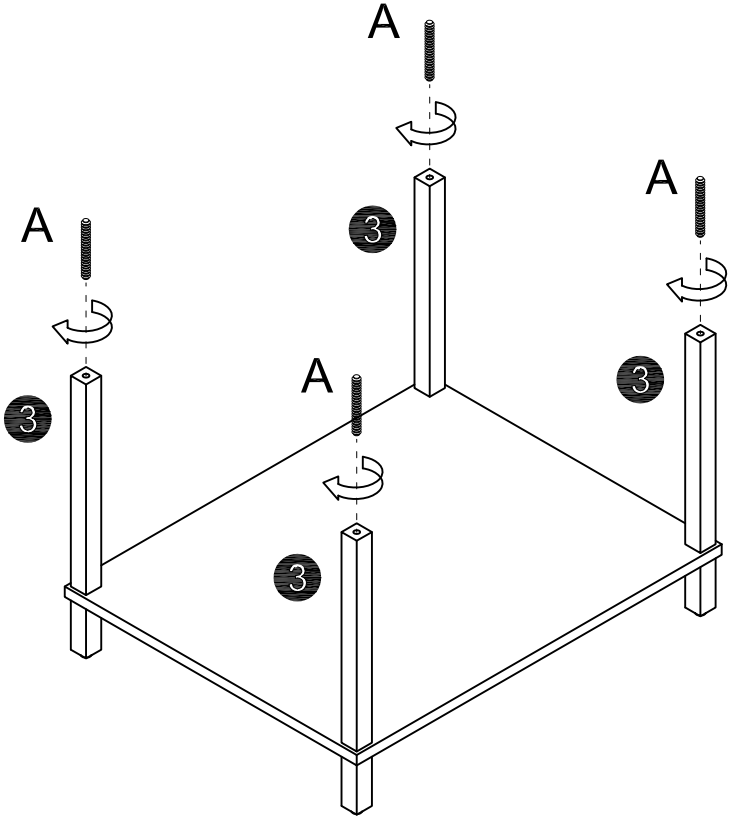
1	x 1PC
---	-------

STEP 3



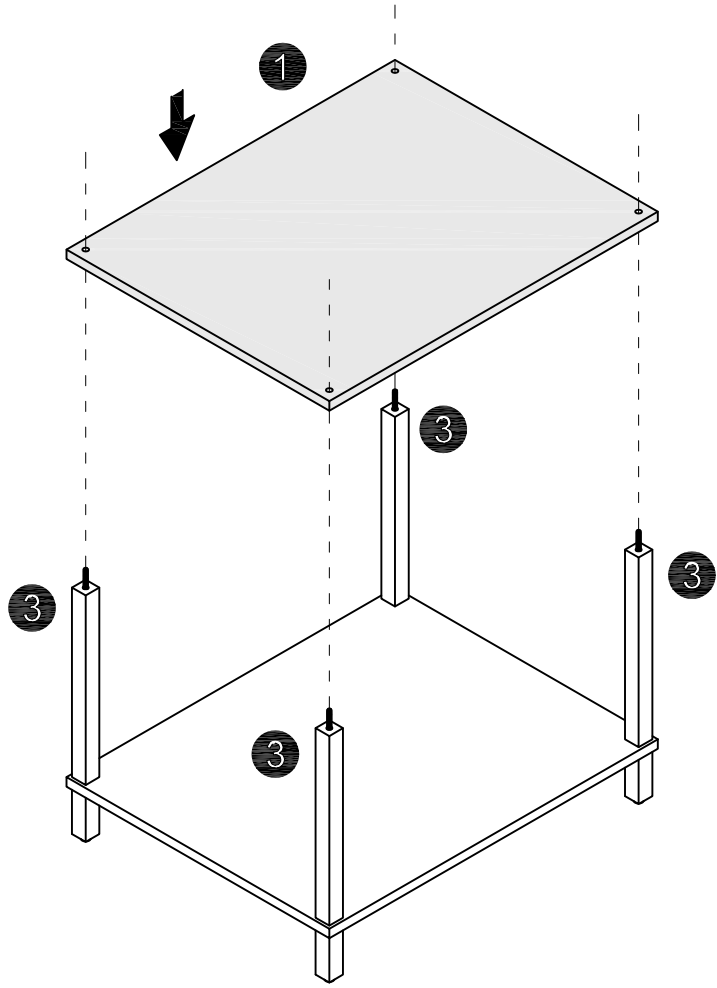
3 × 4PCS

STEP 4



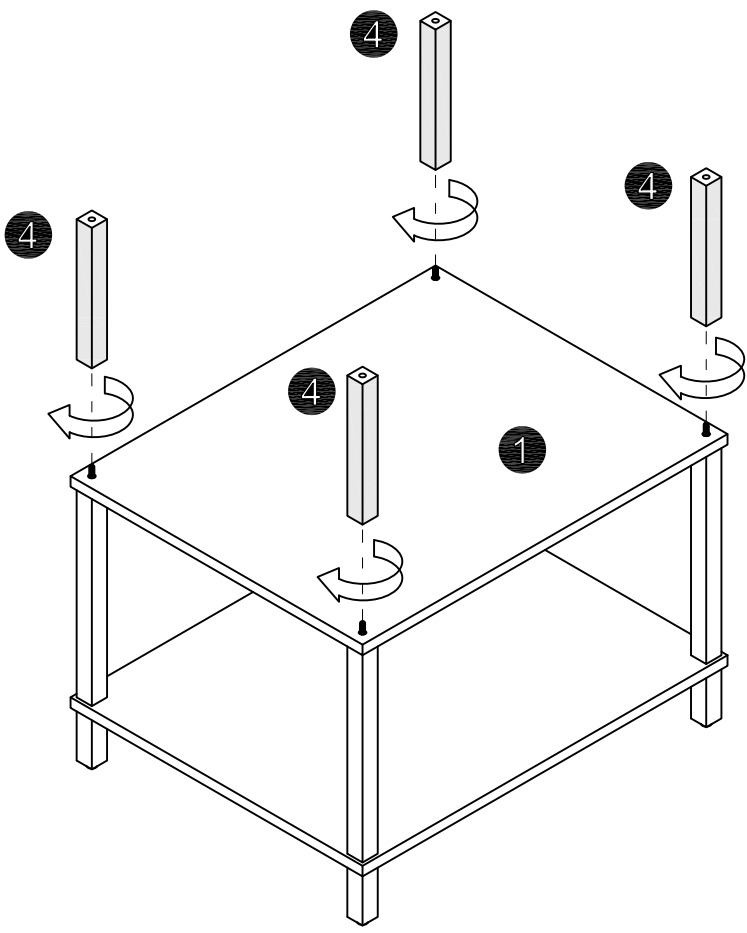
A × 4PCS

STEP 5



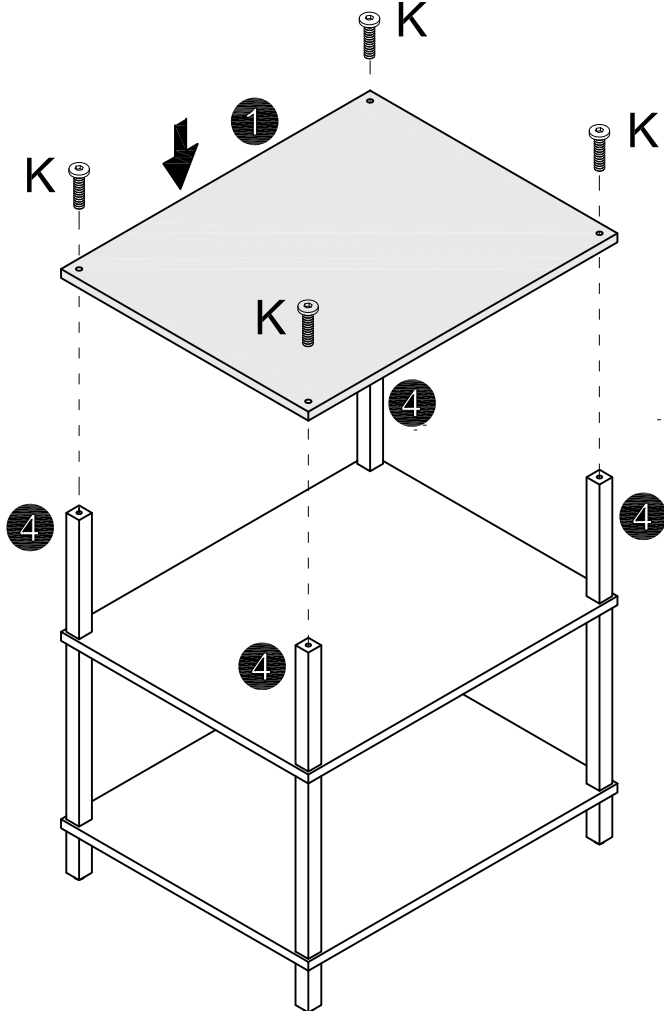
1 × 1PC

STEP 6



4 × 4PCS

STEP 7



- | | |
|---|--------|
| 1 | × 1PC |
| K | × 4PCS |

