

30" Swivel Bar Stool

Attention for assembly

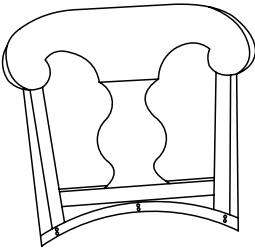
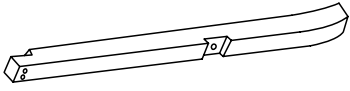
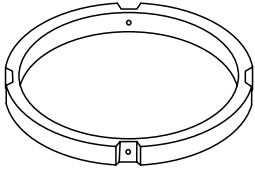
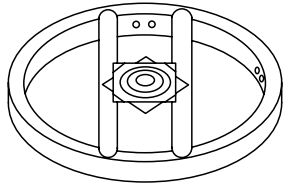
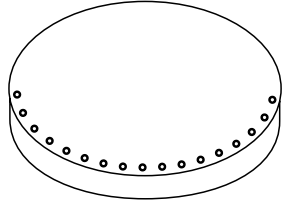
1. Read the instruction carefully and completely before assembling the product.
2. Follow the instructions step by step. Any wrong operation might damage the product, which will not be considered as quality defect of product itself. Any return caused by this reason will not be accepted.
3. Place product on soft floor (carpet, cardboard, wood) for assembly to prevent scratching or damage, never on concrete, sand or slate floor.
4. Verify all components and hardware are included according to the part list before start assembling. In case of missing of any part, stop assembling and contact us right away.
5. Electrical tools (not included) help assembly yet do not over drive the screws, bolts, nuts, etc.
6. Follow the manpower request for assembly. Shortage of manpower might cause unsuccessful assembly or personal injury.
7. Do not use the product until all the components, screws, bolts, nuts are fastened tightly.
8. Contact us when you have any problem regarding assembly or any product issues, we will response as soon as possible to help you out of problem. Don't return the goods on your purchase platform right away.



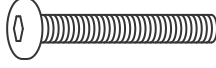




Maintenance

1. Clean the product with a damp cloth.
2. Indoor use only.

Limited Warranty: 1 year (12 months)

Part List

A	Backrest	1pc
		
B	Chair Leg	4pcs
		
C	Footrest	1pc
		
D	Apron with swivel plate	1pc
		
E	Cushion seat	1pc
		

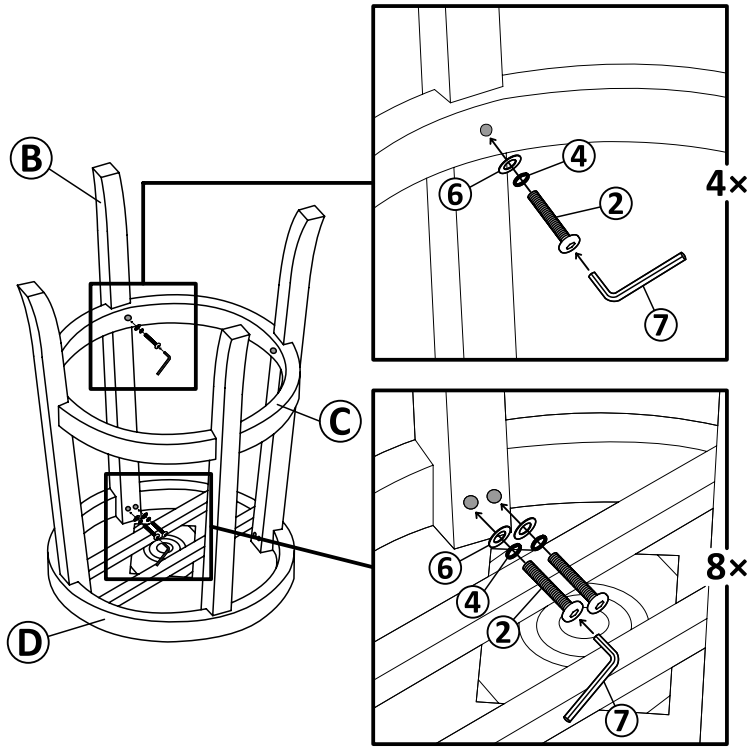
1	Small Bolt	4pcs
 <p>M6 x 30mm</p>		
2	Medium Bolt	12pcs
 <p>M6 x 40mm</p>		
3	Large Bolt	6pcs
 <p>M6 x 45mm</p>		
4	Spring Washer	18pcs
 <p>M6 x 10mm</p>		
5	Big Flat Washer	10pcs
 <p>M6 x 16mm</p>		
6	Small Flat Washer	12pcs
 <p>M6 x 13mm</p>		
7	Allen Key Small	1pc
 <p>M4</p>		

People Required: 1

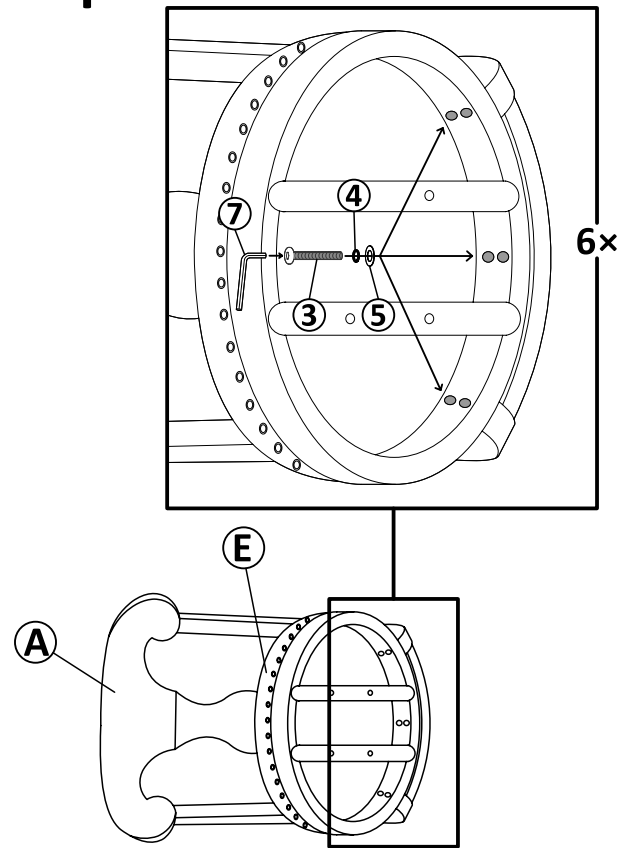


Tools Required: Included
 Assembly Time: 30 minutes

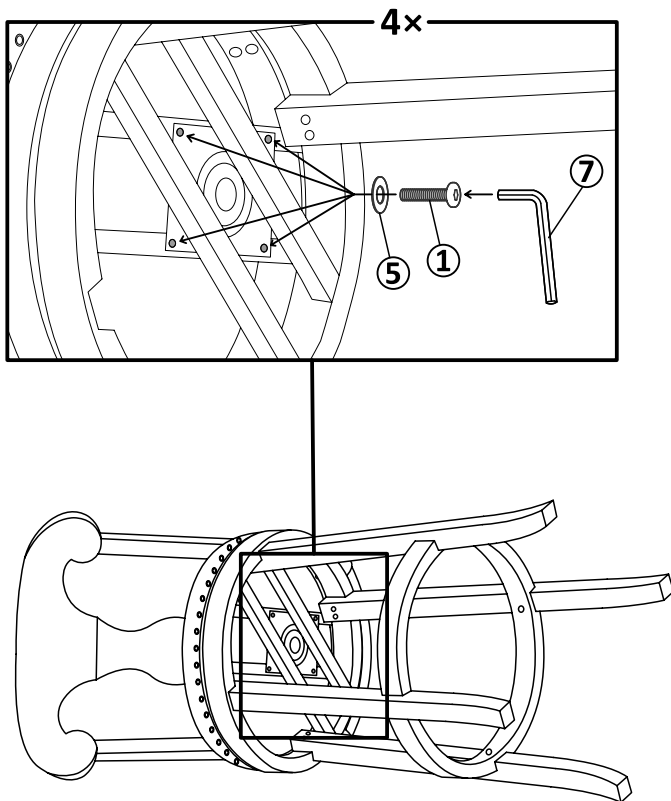
Step 1



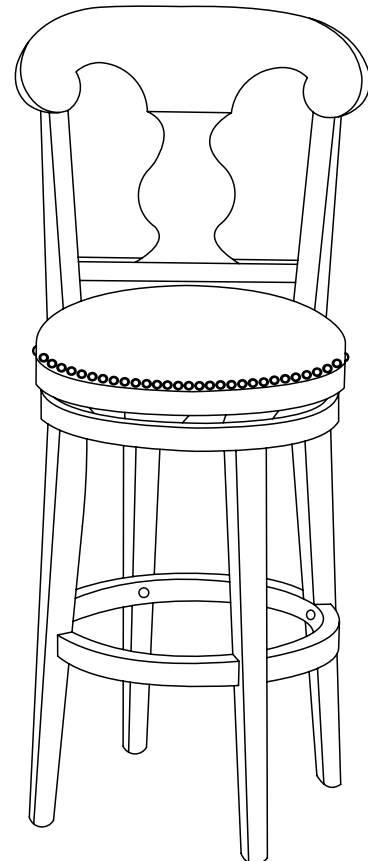
Step 2



Step 3



Step 4



NOTES:

1. Please do not fasten all the bolts before all the legs are straight and stable.
2. Please do not use this product unless all the bolts are securely tightened.