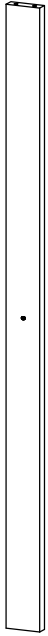
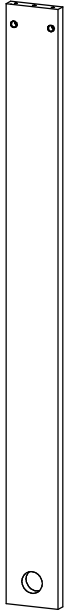


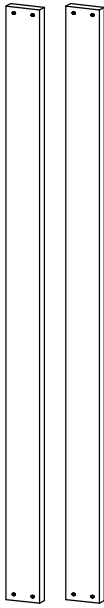
# Installation & Assembly



Ax2



Bx4



Cx26



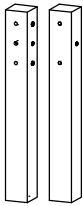
Dx2



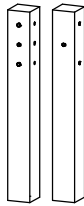
Ex4



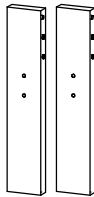
Fx6



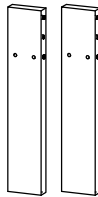
Gx2



Hx2



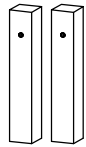
Ix2



Jx2



Kx2



Lx1



M6x  $\frac{85}{3.3}$

Mx5



M6x  $\frac{60}{2.4}$

Nx12



M6x  $\frac{60}{2.4}$

Ox4



M7x  $\frac{60}{2.4}$

Px6



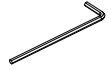
M3.5x  $\frac{25}{1.0}$

Qx106



M4x  $\frac{32}{1.2}$

Rx30



Sx1



Tx30



Ux10



Vx10



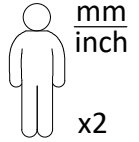
Wx16



Xx10



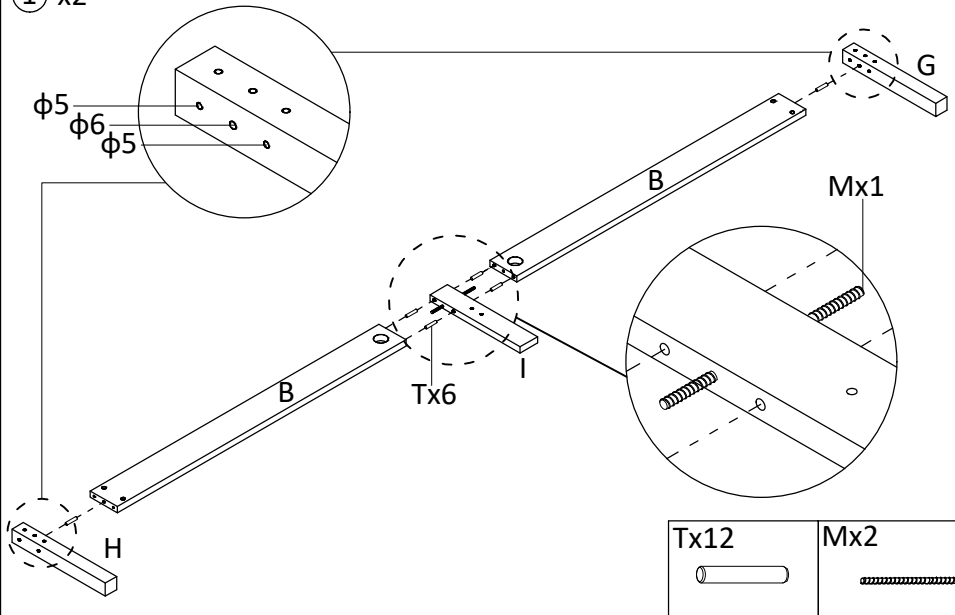
€ \$ £

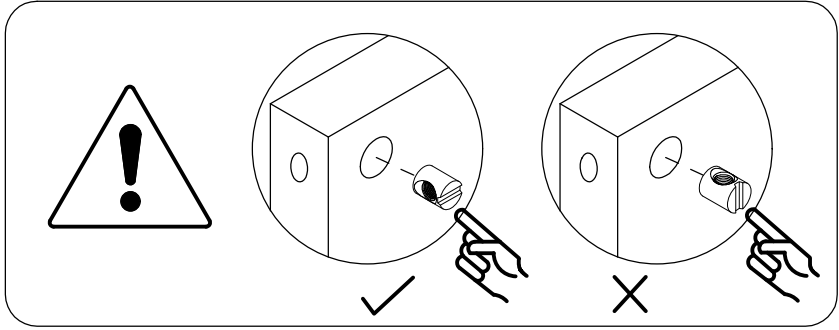


mm  
inch

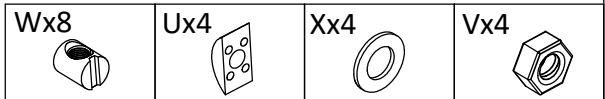
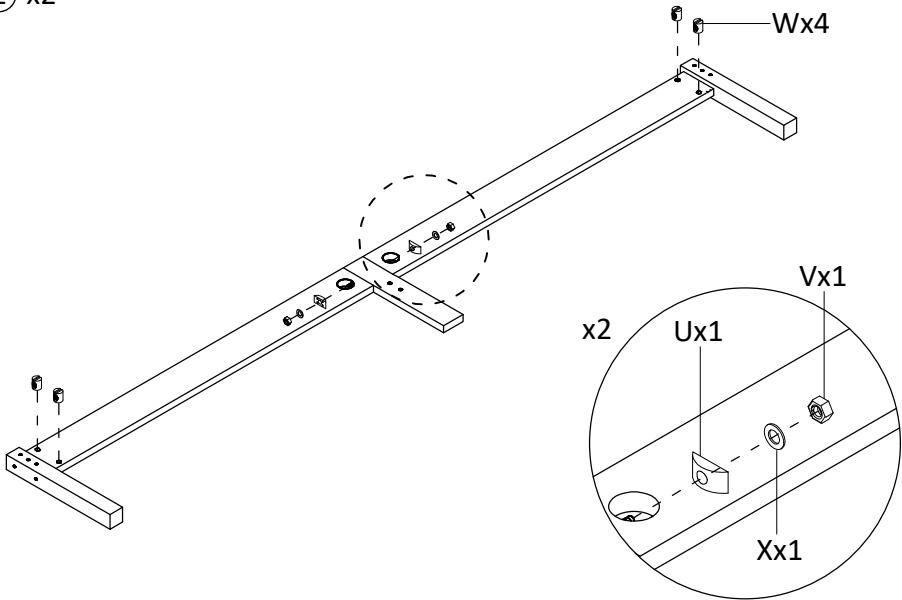
x2

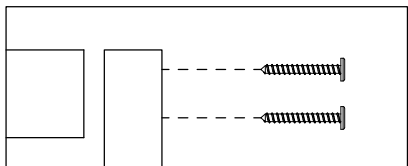
① x2



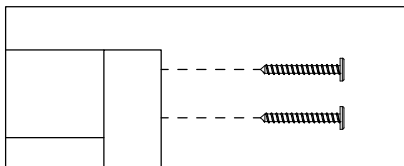


② x2



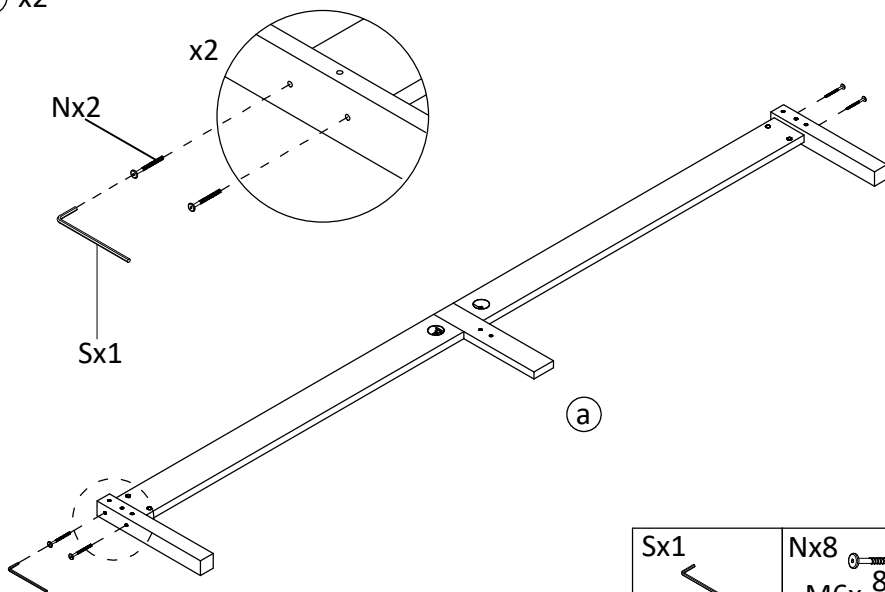


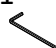
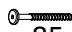
✗



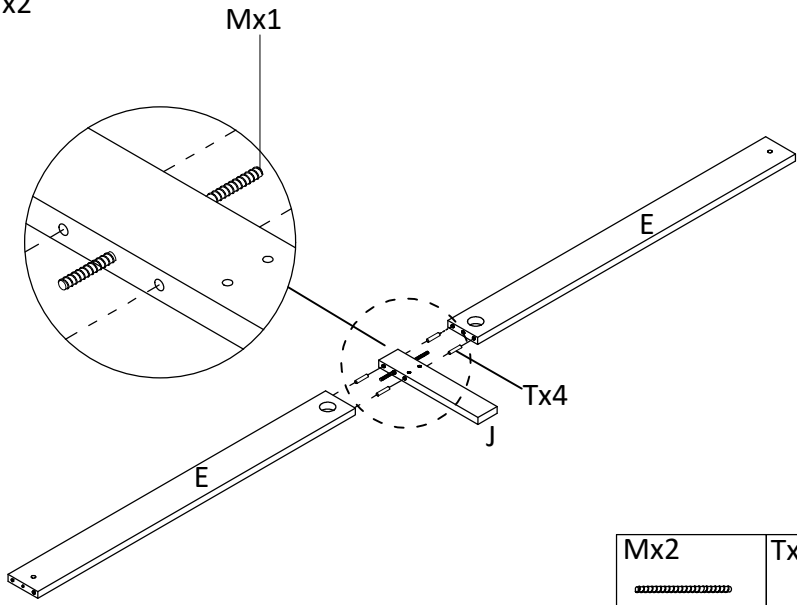
✓

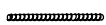

③ x2



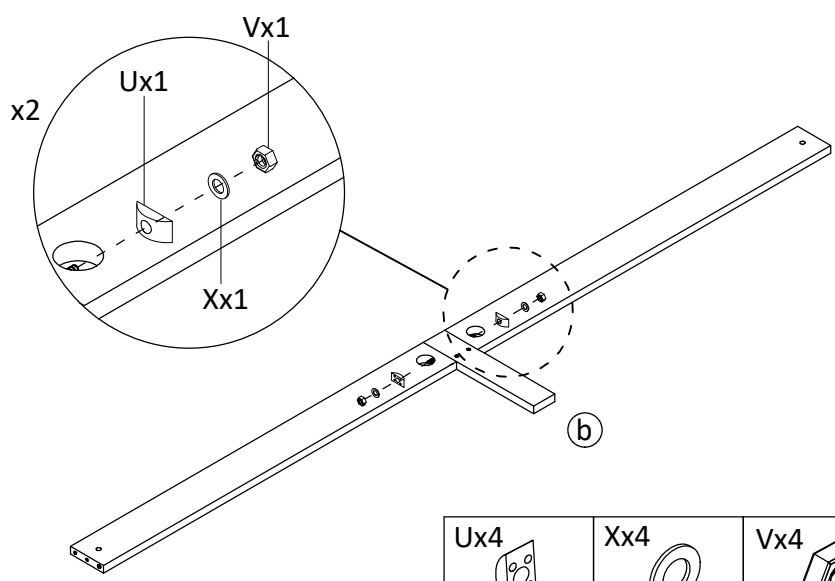
<p>Sx1</p> 	<p>Nx8 </p> <p>M6x <math>\frac{85}{3.3}</math></p>
--	--




④ x2



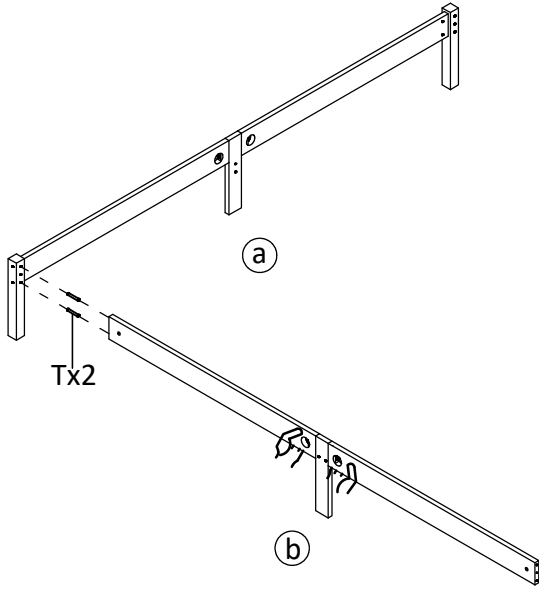
Mx2	Tx8
	

⑤ x2

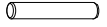


Ux4	Xx4	Vx4
		

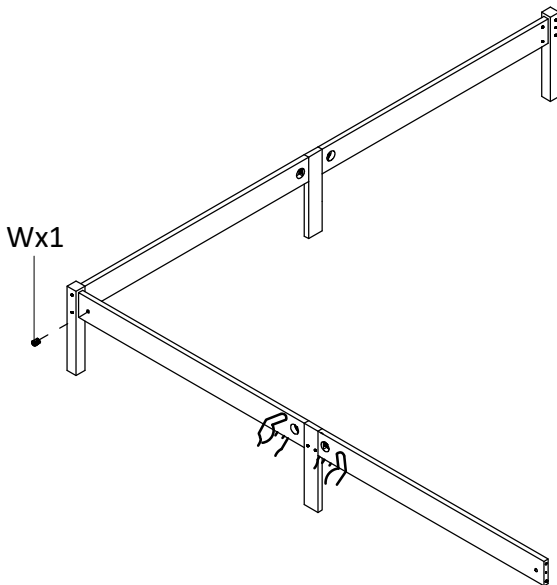
6



Tx2



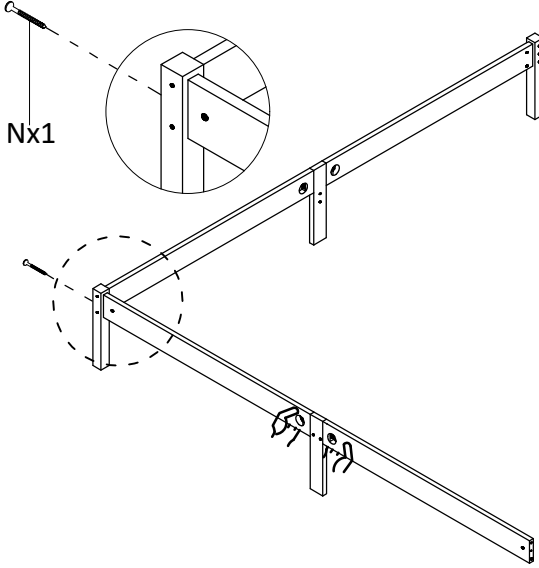
7



Wx1




8

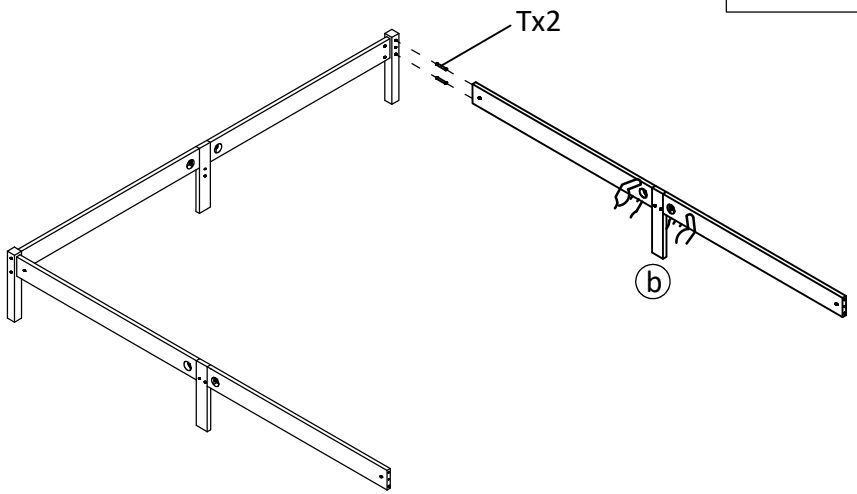


Sx1

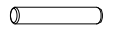


Nx1   
M6x  $\frac{85}{3.3}$

9



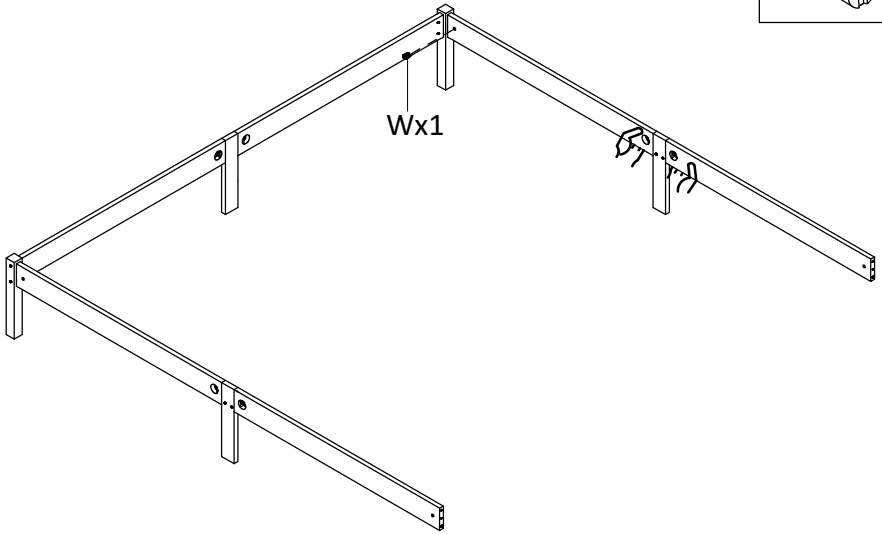
Tx2



b

10

Wx1



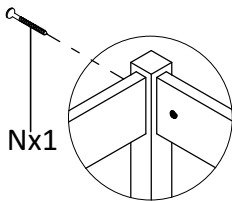
11

Sx1

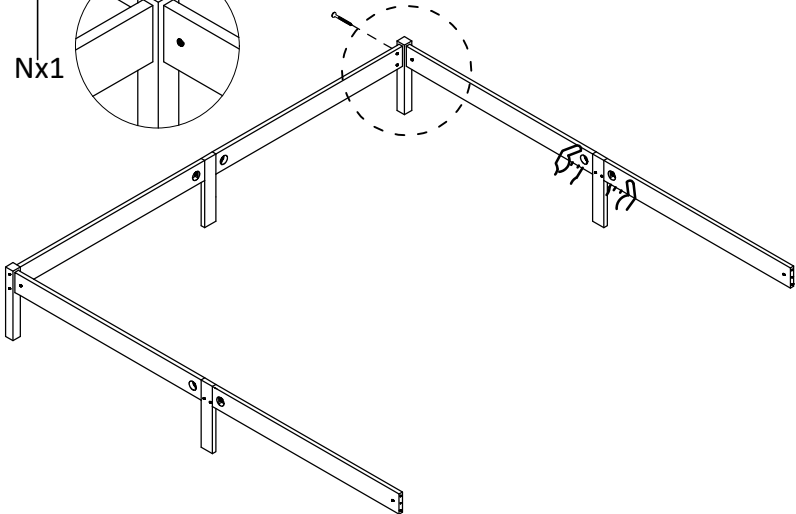
Nx1



M6x  $\frac{85}{3.3}$

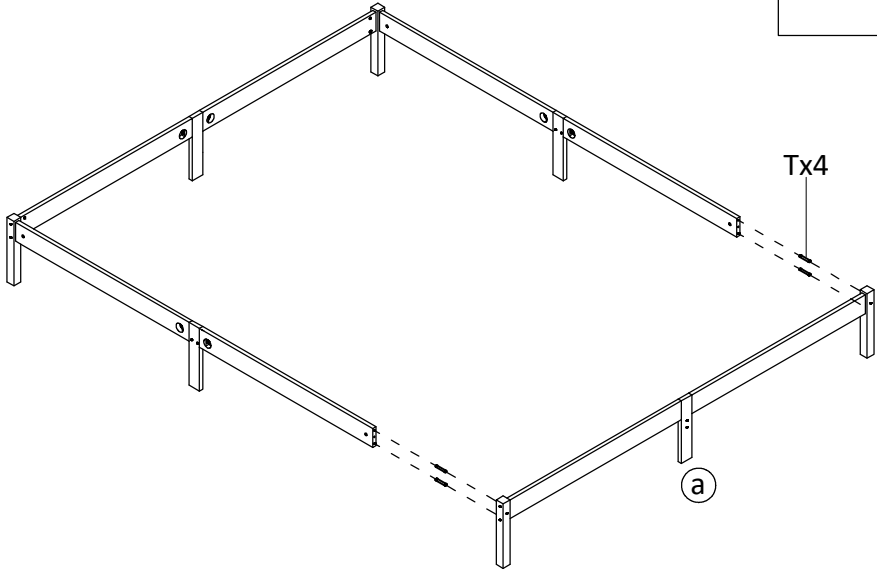
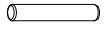


Nx1



12

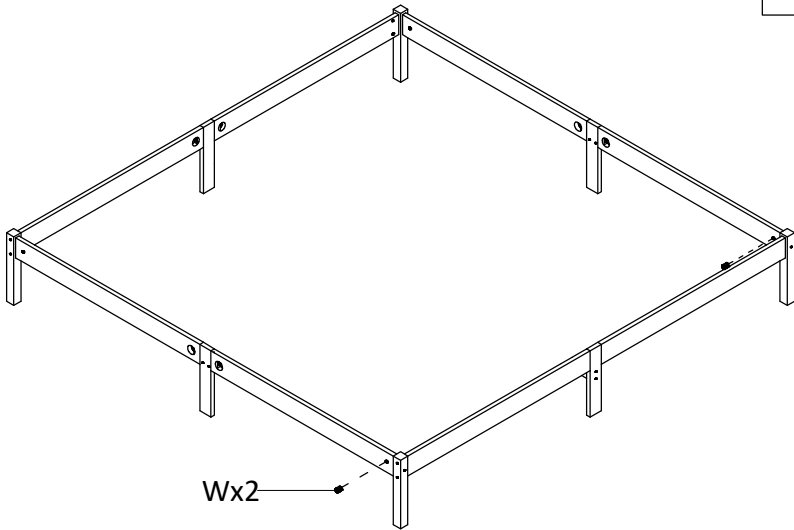
Tx4



Wx2




13

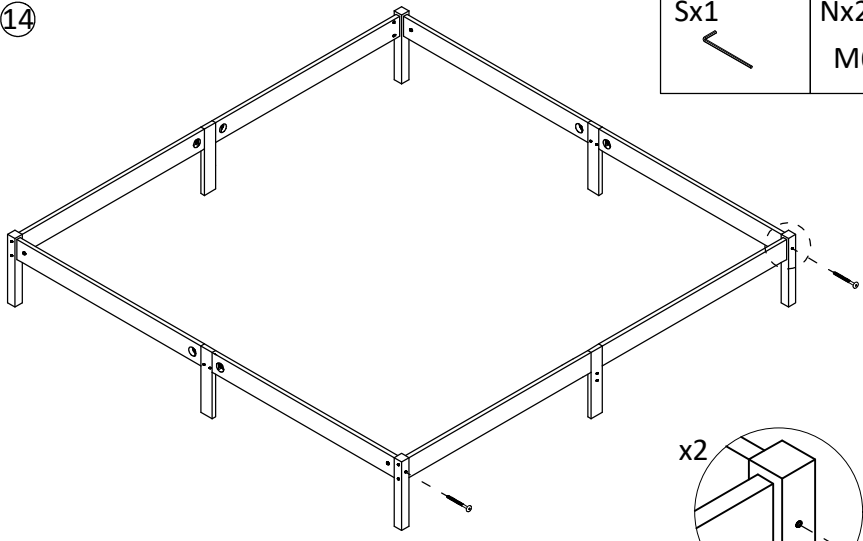


14

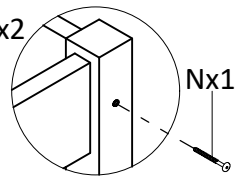
Sx1



Nx2   
M6x  $\frac{85}{3.3}$

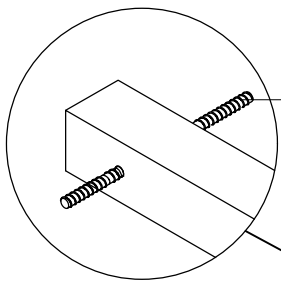


x2

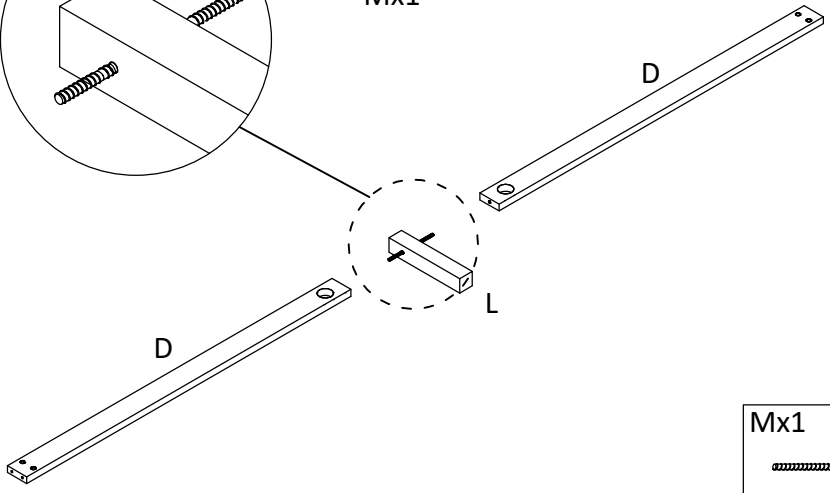


Nx1

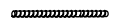
15



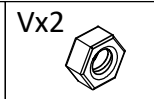
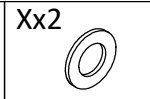
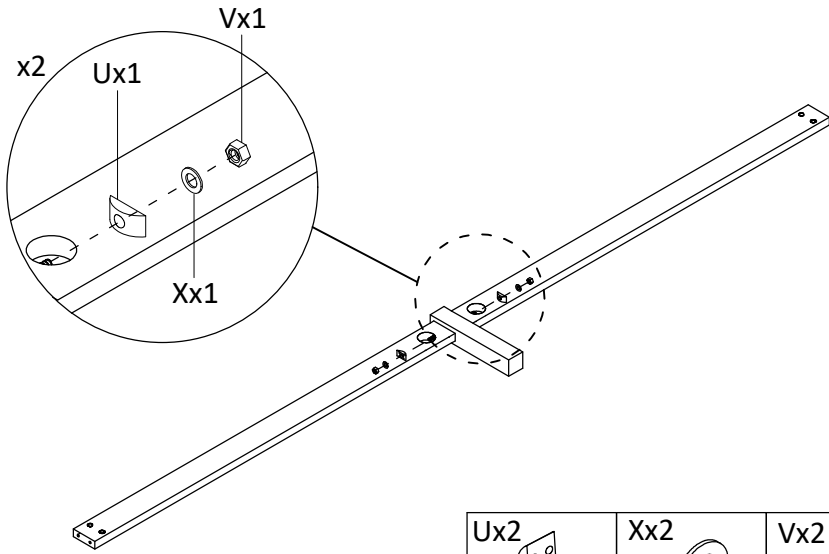
Mx1



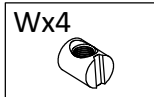
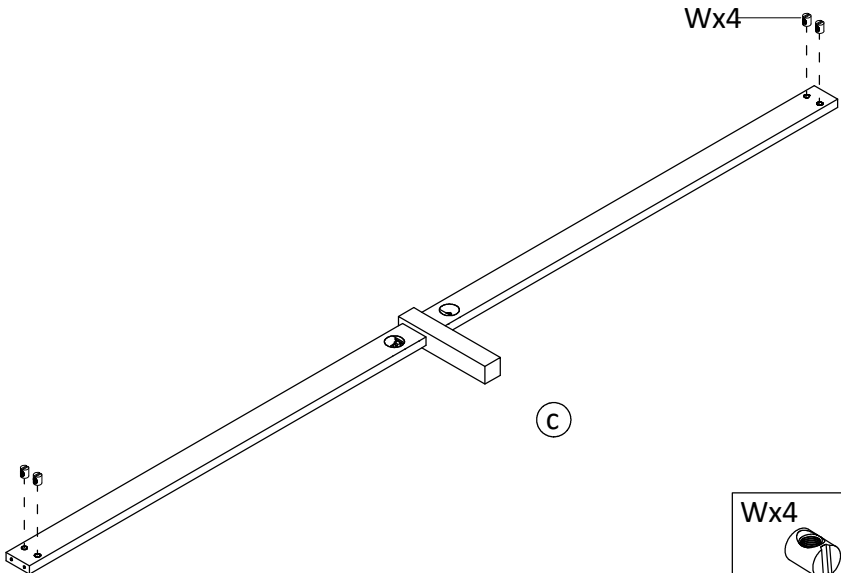
Mx1



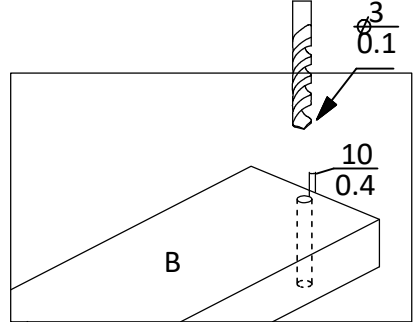
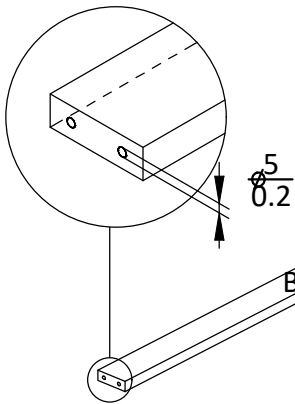
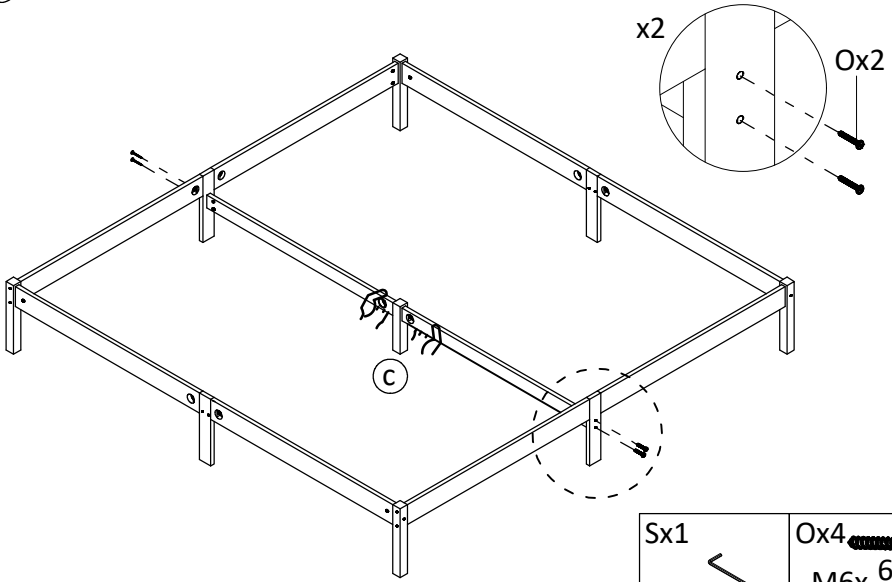
16



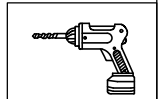
17



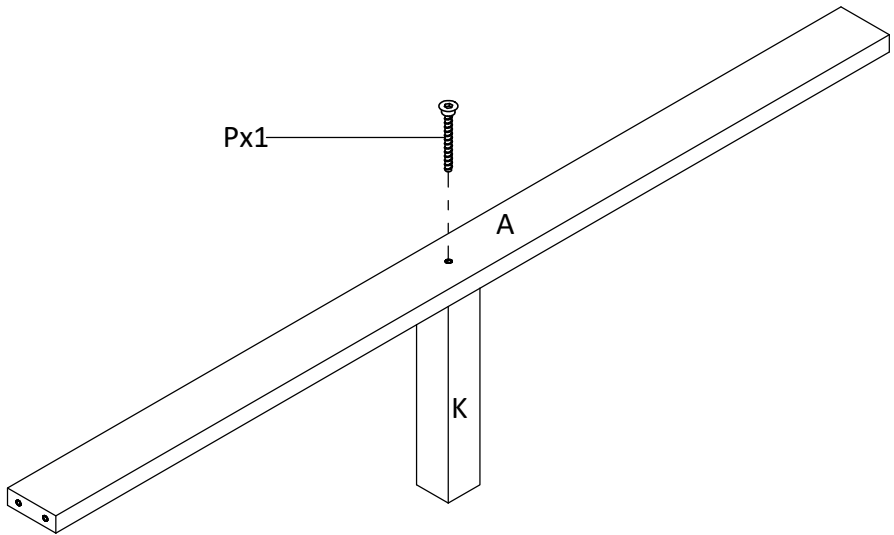
18



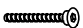
x2

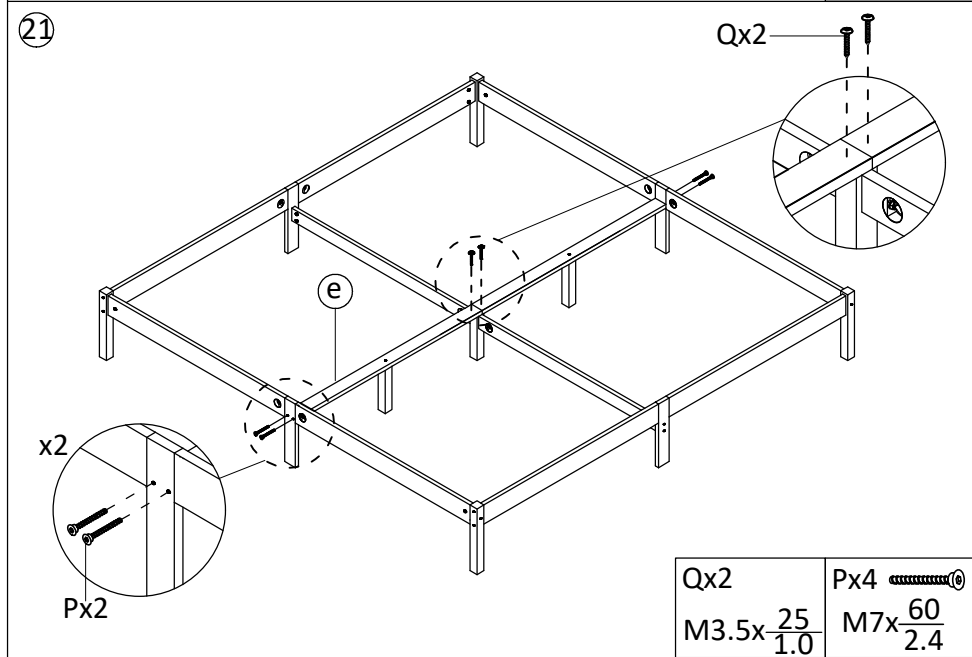
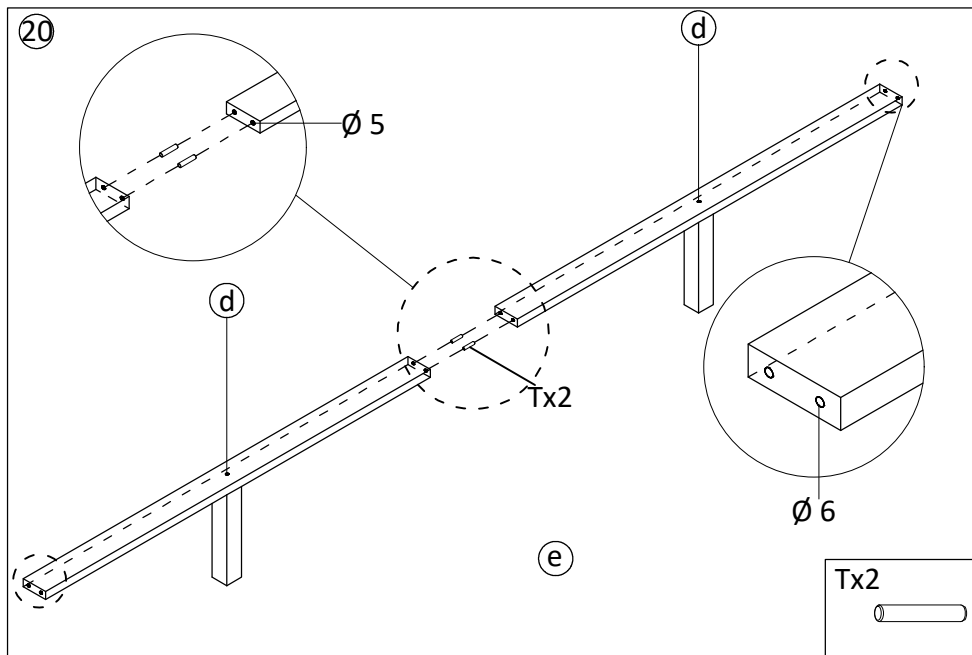


19 x2

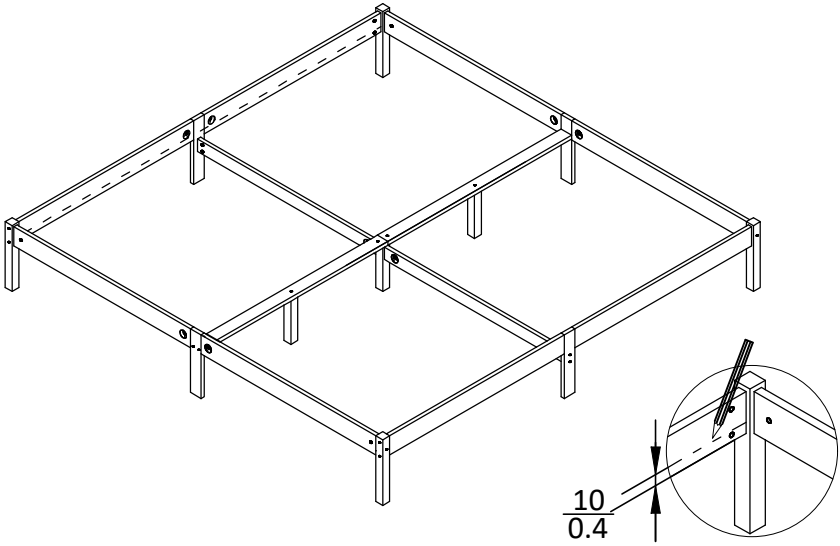


d

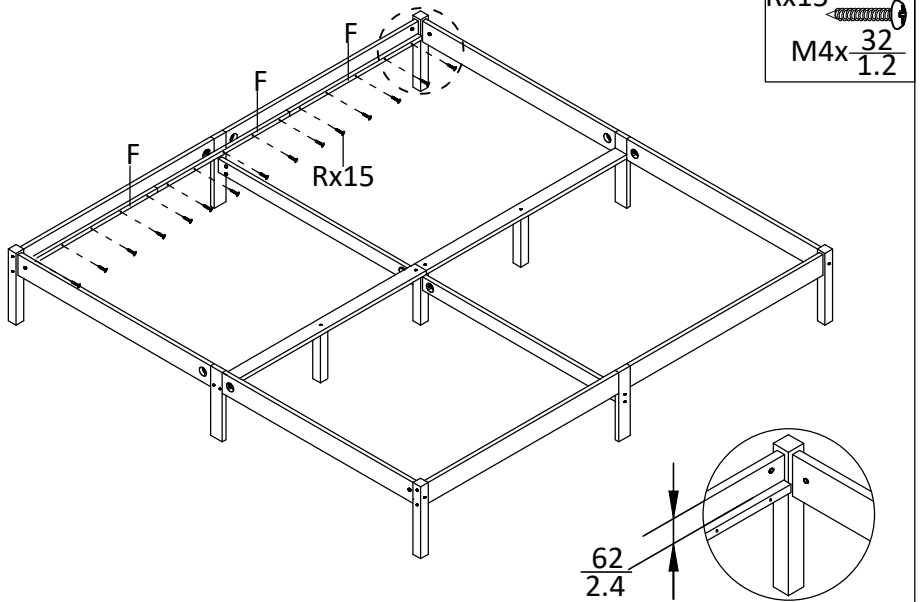
Px2   
M7x  $\frac{60}{2.4}$



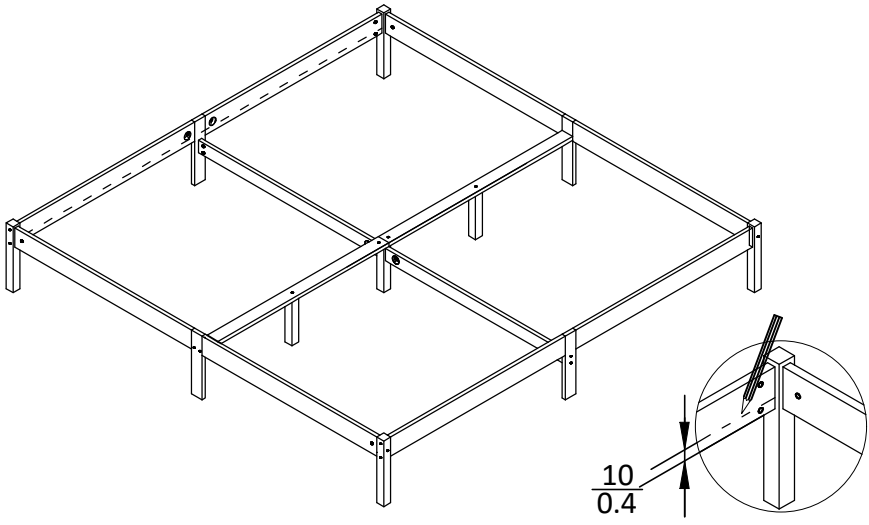
22



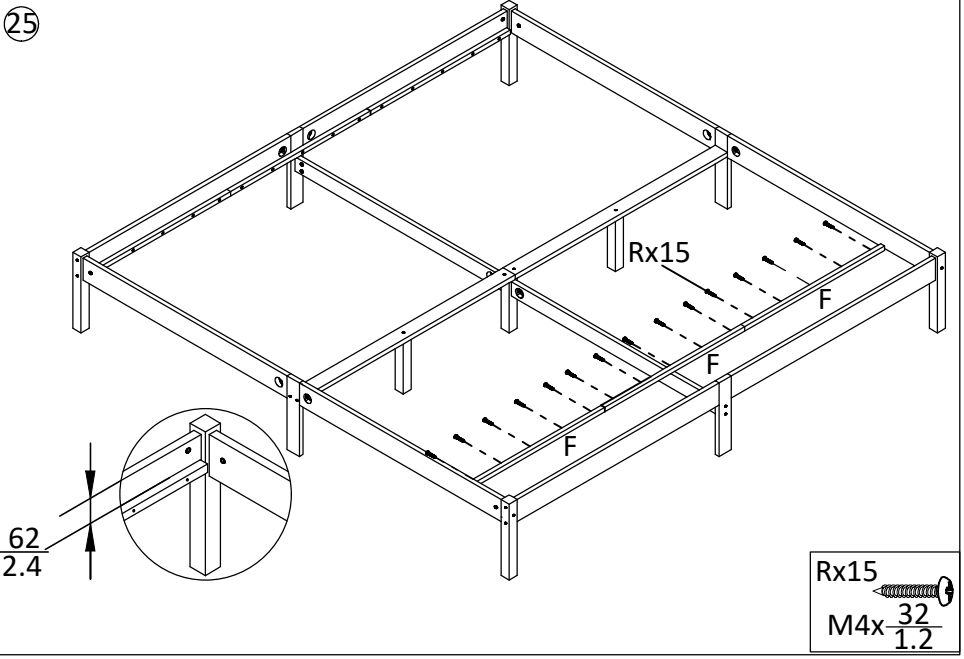
23



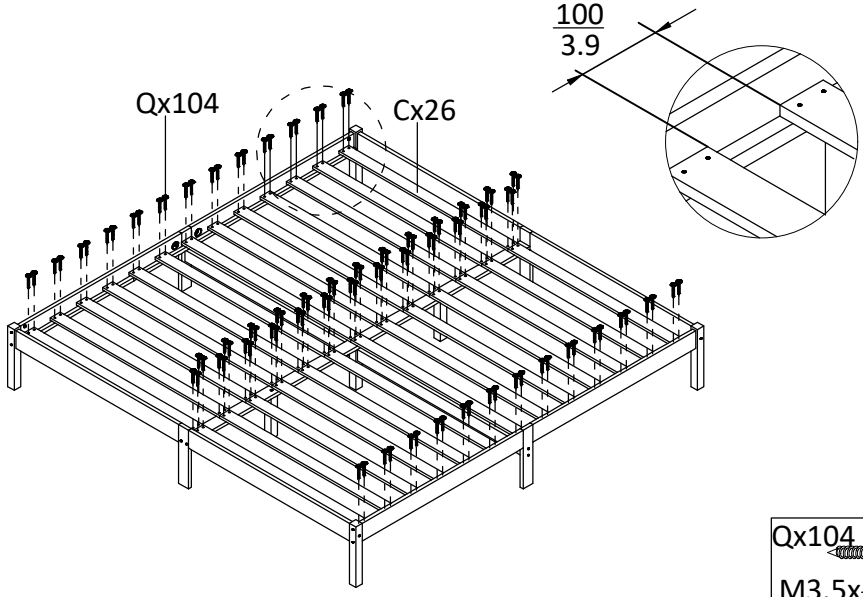
24



25



26



27

