

ASSEMBLY INSTRUCTION




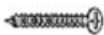

DINING TABLE

Thank you for purchasing the quality product. Be sure to check all packing material carefully for small parts which may have come loose inside the carton during shipment. Separate, identify and count all parts and metal hardware. Compare with all parts list to be sure all parts are present. If any part(s) are missing or damaged, please contact your local furniture dealer. For efficient and speedy service, please indicate the model number and code letter of part(s) needed.

*****Do not fully tighten screws until fully assembled*****

DESCRIPTION	COMPONENT PARTS	
	PART NAME	Q'TY (PCS)
P1	TABLE TOP with DRAWERS	1
P2	TABLE LEGS	4
P3	LONG STRETCHER	1
P4	SIDE STRETCHERS	2

HAREWARES REQUIRED

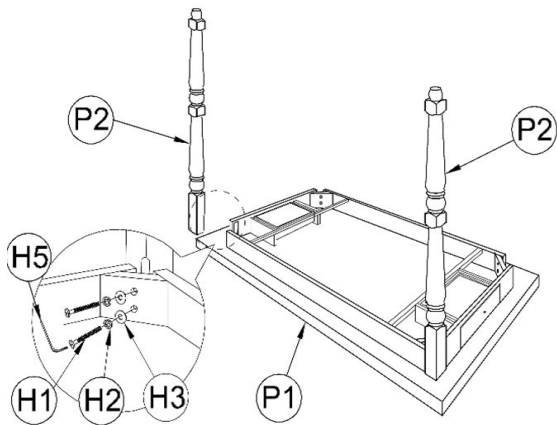
H1		JCBC SCREW M8 X 60MM - 8 PCS
H2		SPRING WASHER - 8 PCS
H3		FLAT WASHER - 8 PCS
H4		SCREW M4 X 38MM - 6 PCS
H5		ALLEN KEY - 1 PCS

Attention:

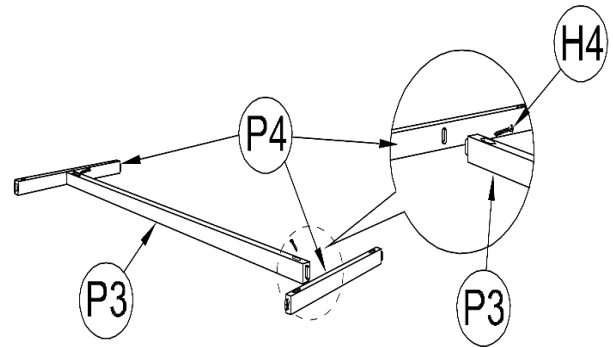
***** Some number parts listed on the instruction sheet may not be in parts bag as they may already be assembled. Carefully check parts and packing materials prior to ordering replacements.**

How to assemble:

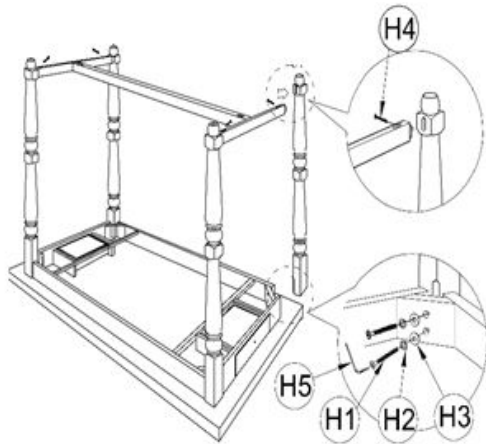
STEP 1:



STEP 2:



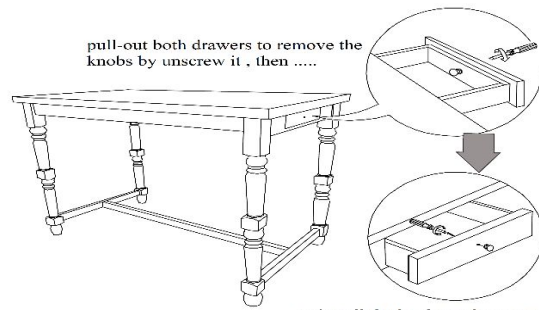
STEP 3:



STEP 4:

Put the table upright , and

pull-out both drawers to remove the knobs by unscrew it , then



...re-install the knobs at the correct position.

CAUTION: REQUIRES TWO ADULTS TO TURN THE TABLE UPRIGHT AFTER FINISHED ASSEMBLY IT .