

ASSEMBLY INSTRUCTIONS



CAUTION

◆ Inspect the wire insulation for any cuts, abrasions, or exposed copper that may have resulted during shipping. If there is a defect in the wire, do not attempt installation.

◆ Before starting installation of this fixture or removal of a previous fixture, disconnect the power by turning off the circuit breaker or by removing the fuse at the fuse box.

If you need further assistance, please contact us.

TOOLS REQUIRED



Ladder



Safety glasses



Electrical tape



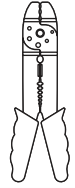
Phillips screwdriver



Flat blade screwdriver

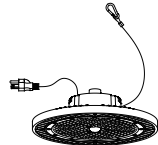


Pliers



Wire strippers

HARDWARE INCLUDED



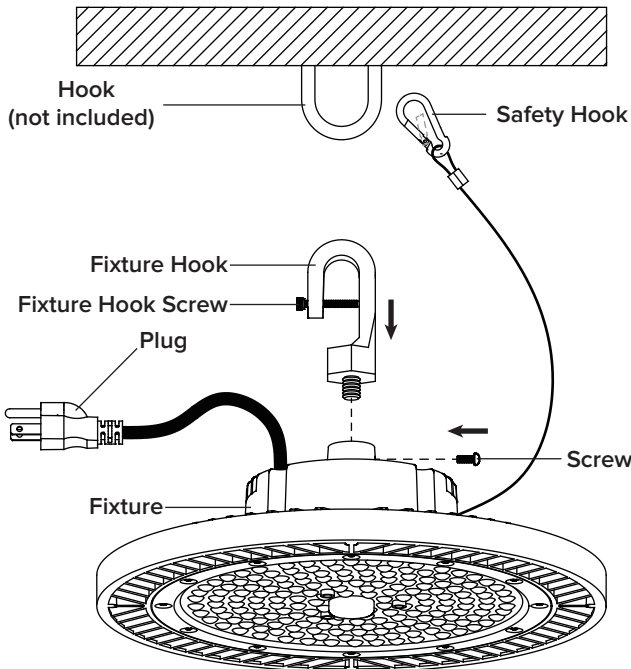
Fixture



Fixture Hook

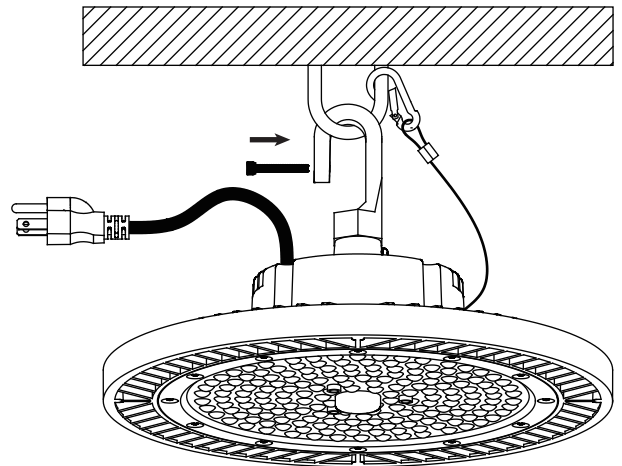
***PARTS SHOWN MAY DIFFER SLIGHTLY PER LIGHT FIXTURE**

EXPLODED PARTS



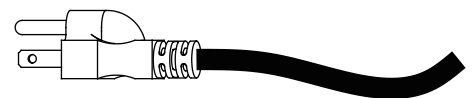
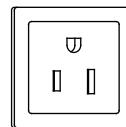
STEP 2

1. Removed the Fixture Hook Screw from the Fixture Hook.
2. Hang up the Safety Hook and Fixture Hook.
3. Secure with the previously removed Fixture Hook Screw.



STEP 3

plug into the socket.



INSTALLATION

STEP 1

1. Removed the Screw from the Fixture.
2. Lock the Fixture Hook.
3. Secure with the previously removed Screw.

