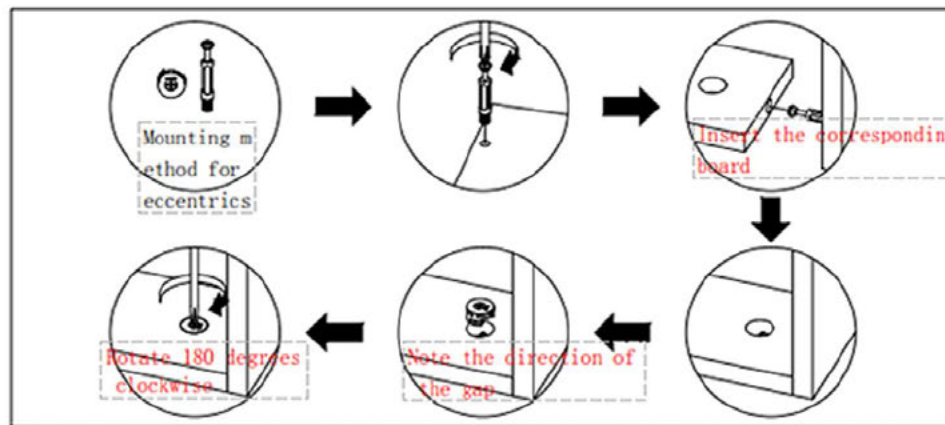
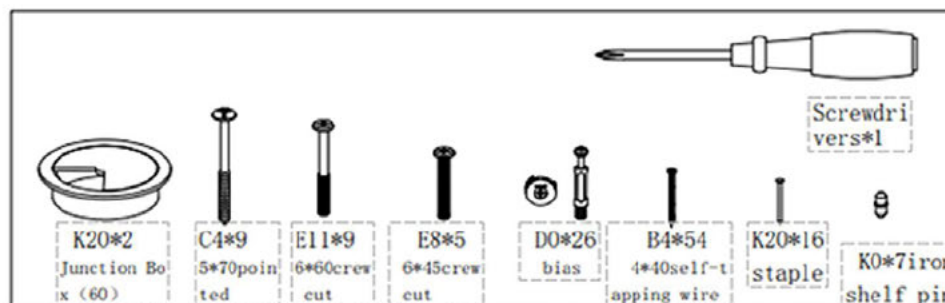
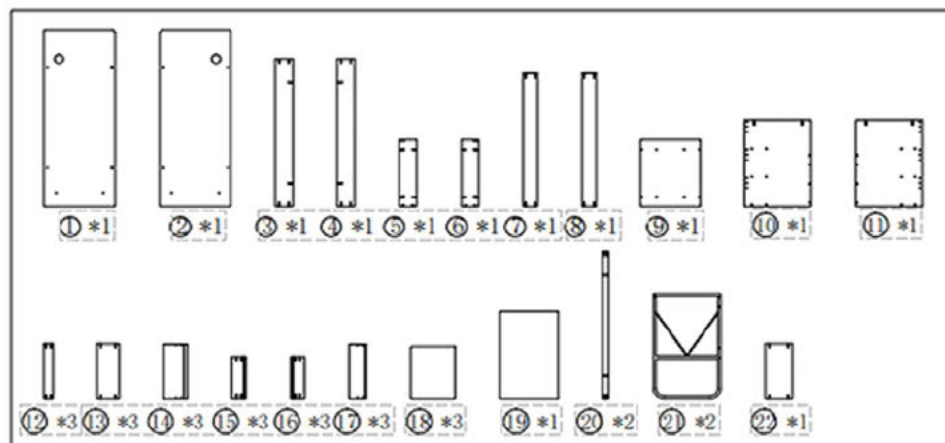
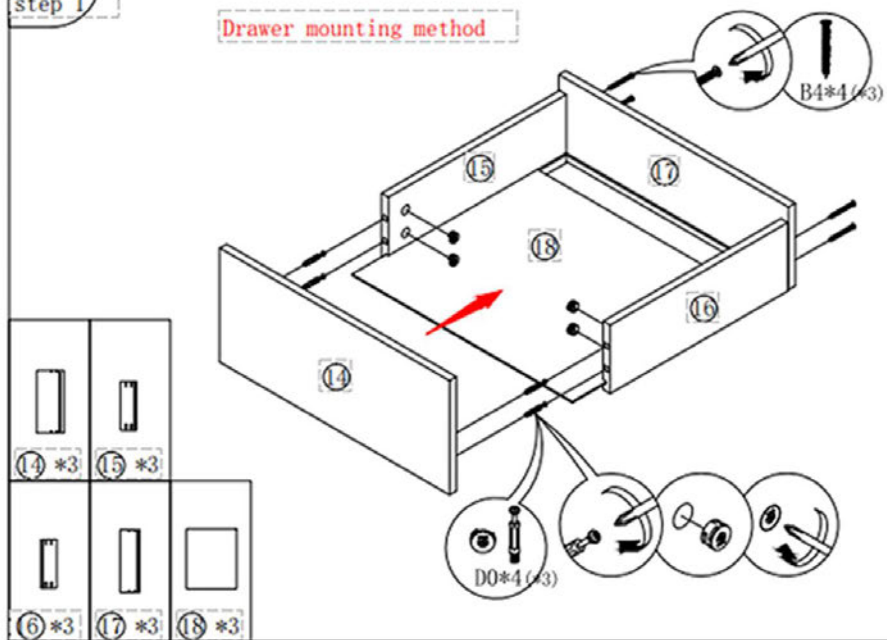


Computer Desk Installation Steps



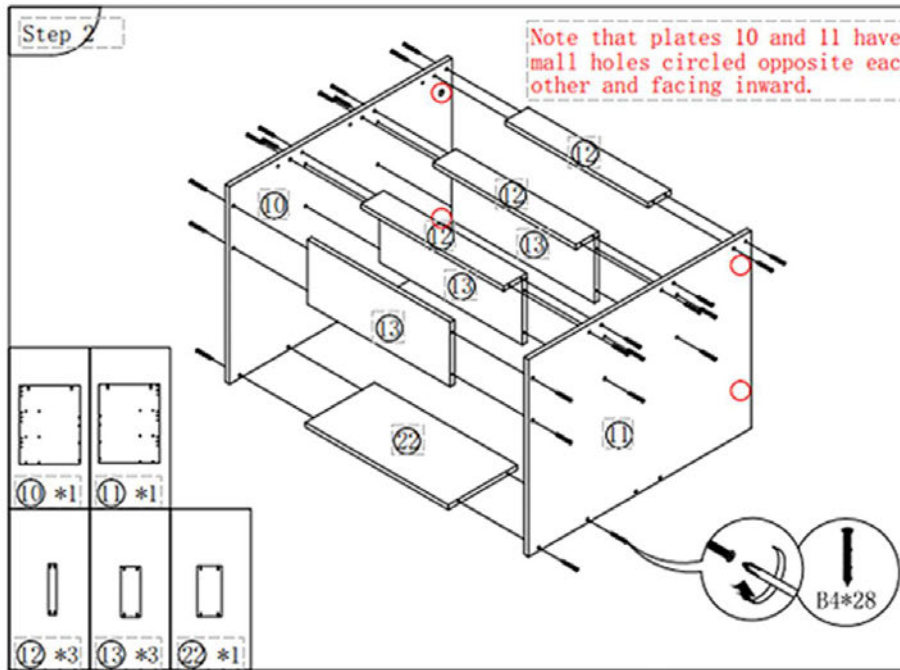
step 1

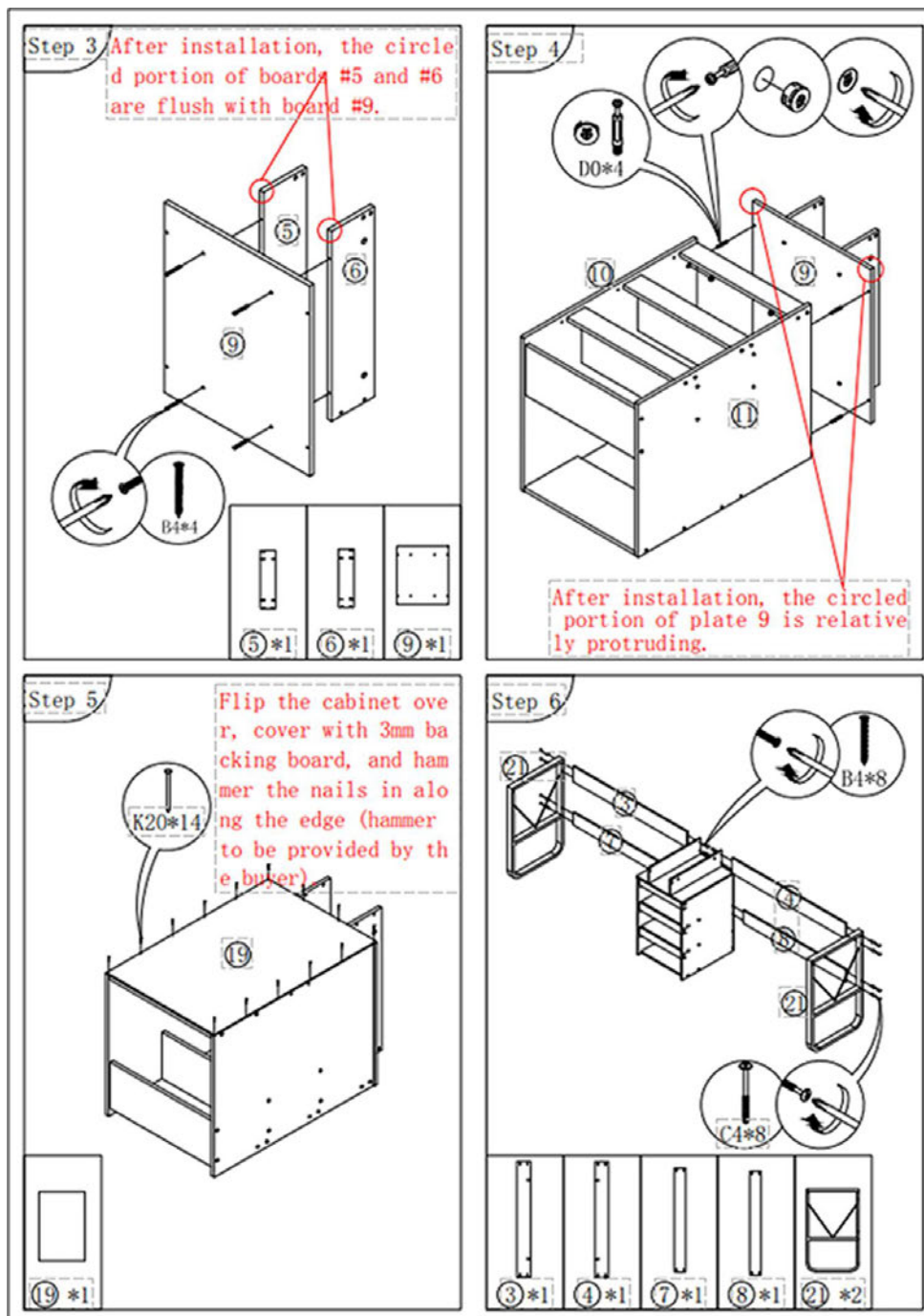
Drawer mounting method



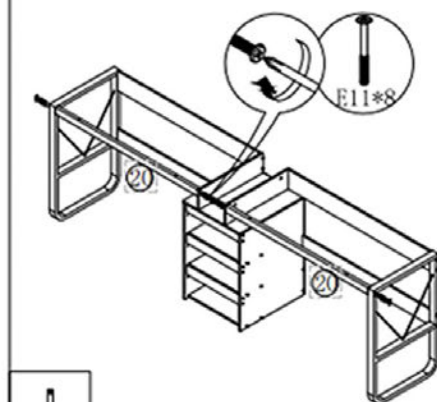
Step 2

Note that plates 10 and 11 have small holes circled opposite each other and facing inward.

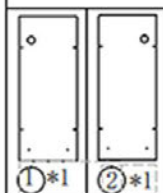
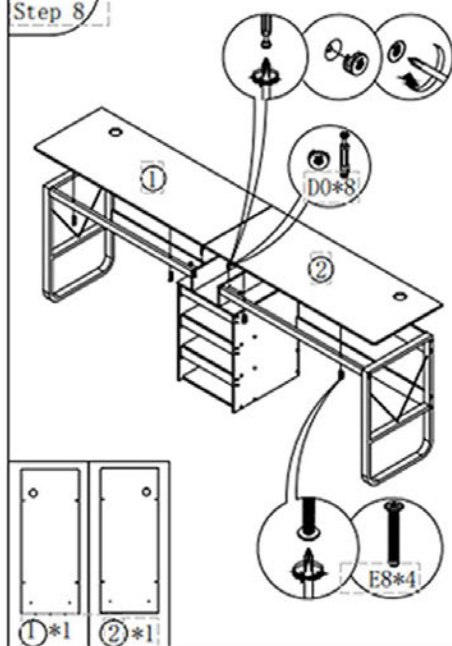




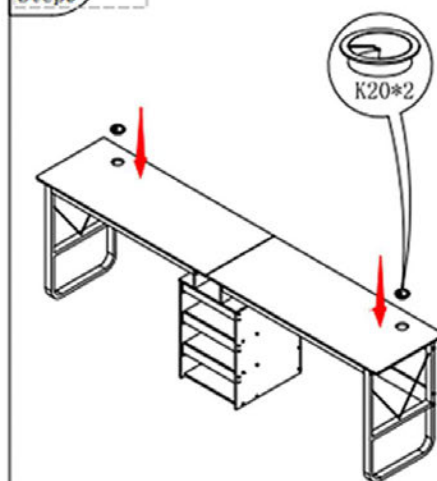
Step 7



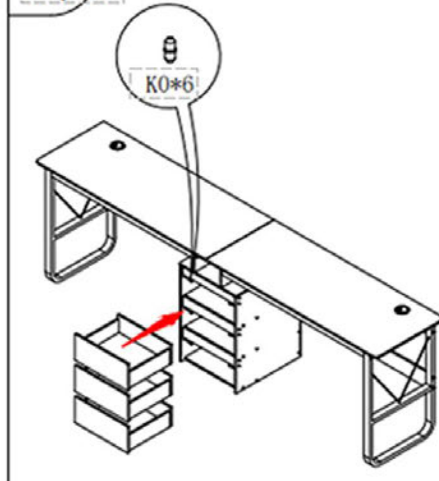
Step 8



Step 9



Step 10



Insert the drawer to complete the installation