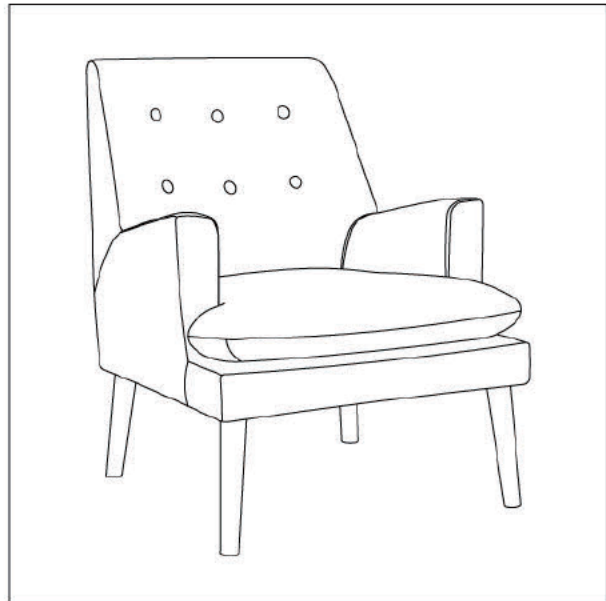
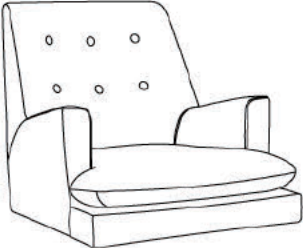
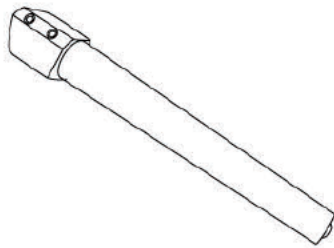
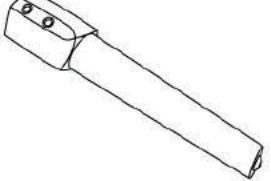






ASSEMBLY INSTRUCTIONS

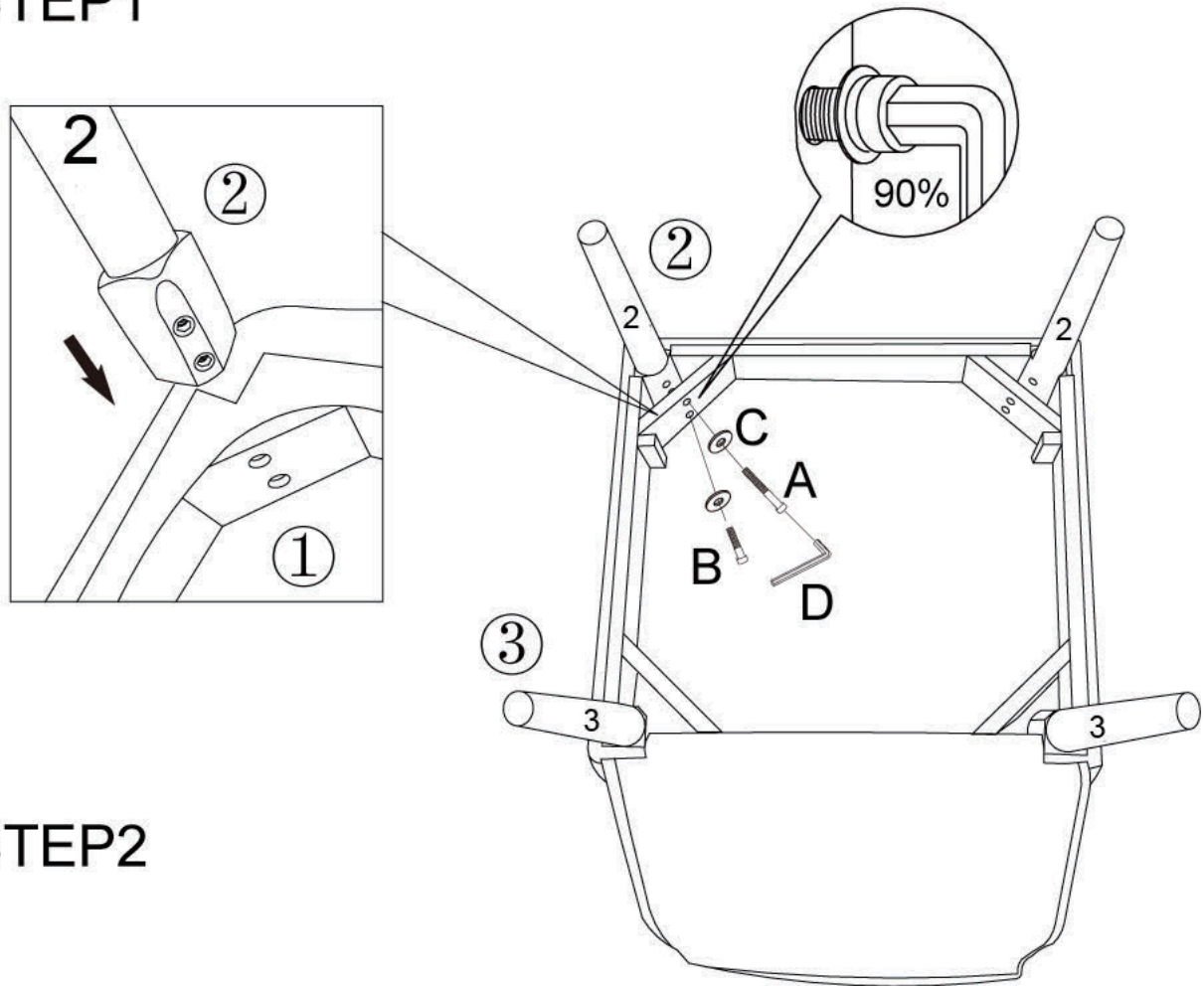


TURN TOP UPSIDE DOWN ON A SOFT WORKING SURFACE.

<p>①</p> 	<p>②</p>  <p>TWO LONGER FRONT LEGS MARK "2"</p>	<p>③</p>  <p>TWO SHORTER BACK LEGS MARK "3"</p>
<p>A</p>  <p>x4</p>	<p>B</p>  <p>x4</p>	<p>C</p>  <p>x8</p>
<p>D</p>  <p>x1</p>		

ASSEMBLY INSTRUCTIONS

STEP 1



STEP 2

