

ASSEMBLY INSTRUCTIONS

TOOLS REQUIRED:

Allen Wrench (supplied, part # E)

Screwdriver (Not Provided)

BEFORE YOU START:

1. Check the parts against the parts list to make sure all items are present.
2. Assemble your furniture on a soft, flat surface to avoid scratching the finish.
3. **CAUTION:** Do not over tighten screws, nuts or bolts during assembly.
4. Your furniture may require occasional tightening.

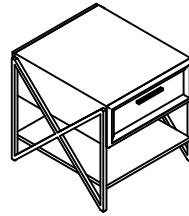
INSTRUCTIONS:

Step 1. Turn the Table Top upside down on to a clean, soft surface. Pull out the drawer and remove the dust panel drawer bottom as shown in Figure 1.

Step 2. Attach the two Side Frames to the Table Top, tighten Bolt (A) with Lock Washer (C) and Flat Washer (D) by Allen Wrench (E) as shown in Figure 2.

Step 3. Attach the Bottom Panel to the Side Frames, tighten Bolt (B) with Lock Washer (C) and Flat Washer (D) by Allen Wrench (E) as shown in Figure 3.

Step 4. Attach dust panel drawer bottom back to the assembly then turn the table back upright and push the drawer in as shown in Figure 4.



274-915

Figure 1

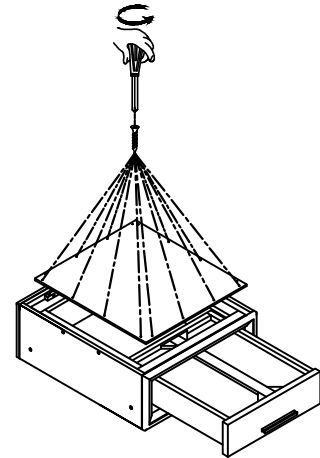


Figure 2

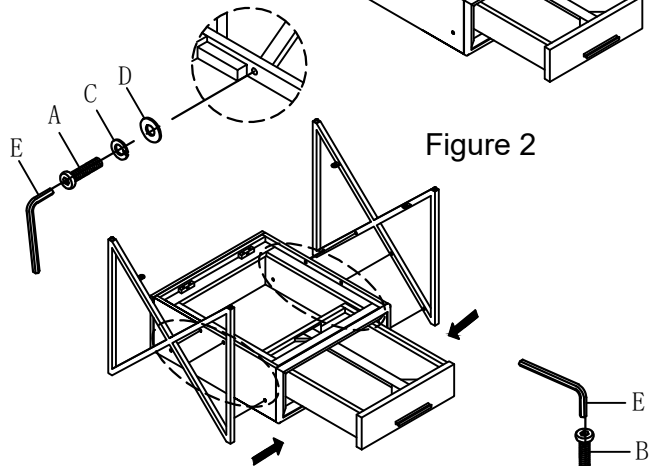


Figure 3

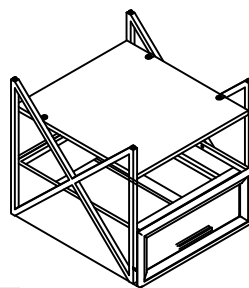







Figure 4

No.	HARDWARE LIST		Q'ty
A		Bolt (Ø1/4"x1-1/4")	8
B		Bolt (Ø1/4"x3/4")	4
C		Lock Washer (Ø1/4")	12
D		Flat Washer (Ø1/4"*16mm)	12
E		Allen Wrench (100*50*4mm)	1

