

CARE AND MAINTENANCE

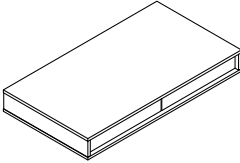
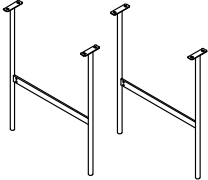
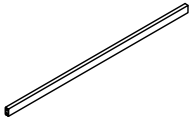

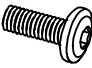


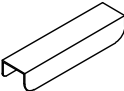
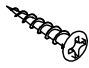
Spot clean using a mild water-free solvent. Only a professional cleaner should undertake a complete overall cleaning.
The use of steam or water-based cleaners may cause excessive shrinking or staining.

NOTICE

- * Please make sure that you have all parts indicated before you begin assembly of this item
- * This item should be assembled on a soft surface to prevent scratching the finish during assembly
- * This item may require periodic tightening

DIMENSIONS: 39.37"L x 21.65"D x 29.57"H

Part List and Hardware List

PIECE	DESCRIPTION	PICTURE	QUANTITY
A	body		1X
B	metal leg		1X
C	metal bar-1		1X
D	metal bar-2		1X
HW1	screw M6*1.2*14MM		16X
HW2	allen wrench M6		1X
HW3	anti - tip hardware kit		1X
HW4	handle		2X
HW5	screw M4*1.2*14MM		4X

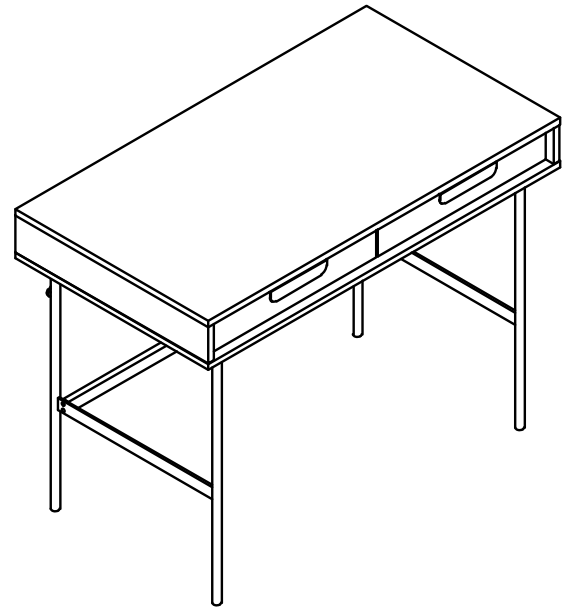


TABLE TOTAL WEIGHT CAPACITY: 110 LBS

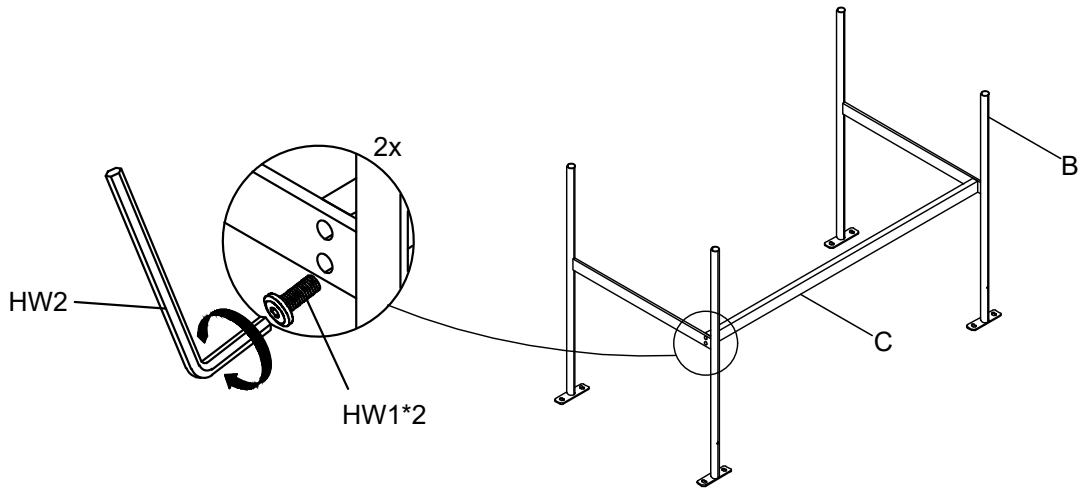
WARNING: DO NOT STAND ON DESK
WARNING: DO NOT OVER TORQUE BOLTS/SCREWS

PREPARATION

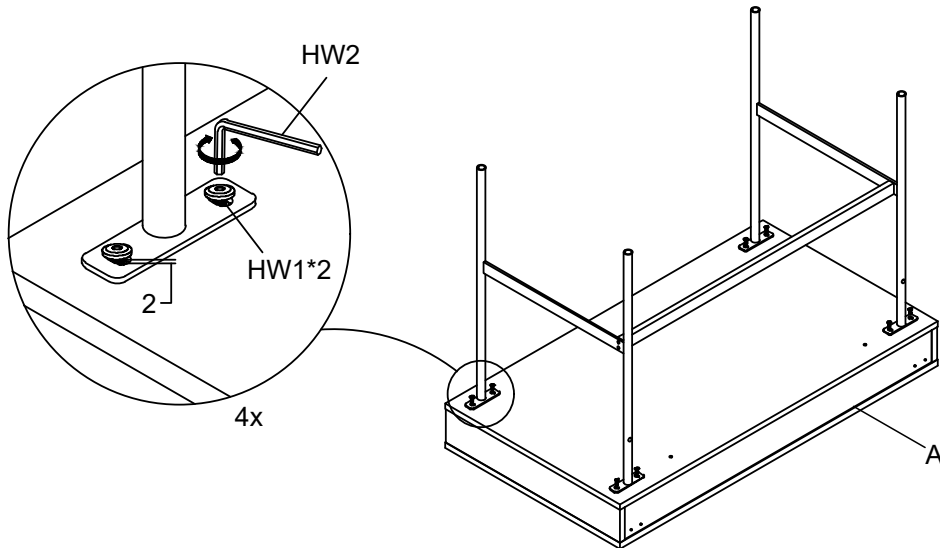
Before beginning assembly of product, make sure all parts are present. Compare parts with package contents list and hardware contents list. If any part is missing or damaged, do not attempt to assemble the product.

Estimated Assembly Time: 15 minutes.

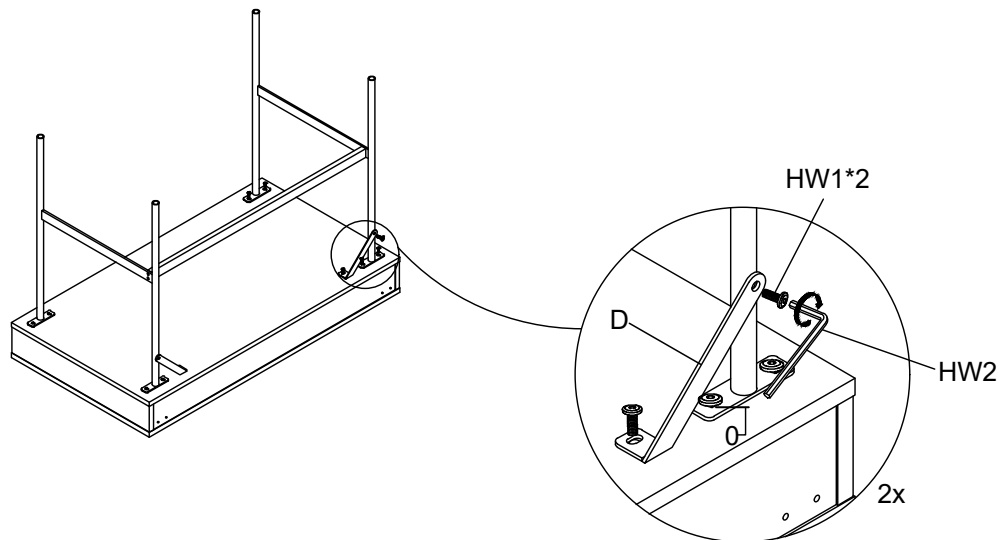
Tools Required for Assembly (included): Allen Key



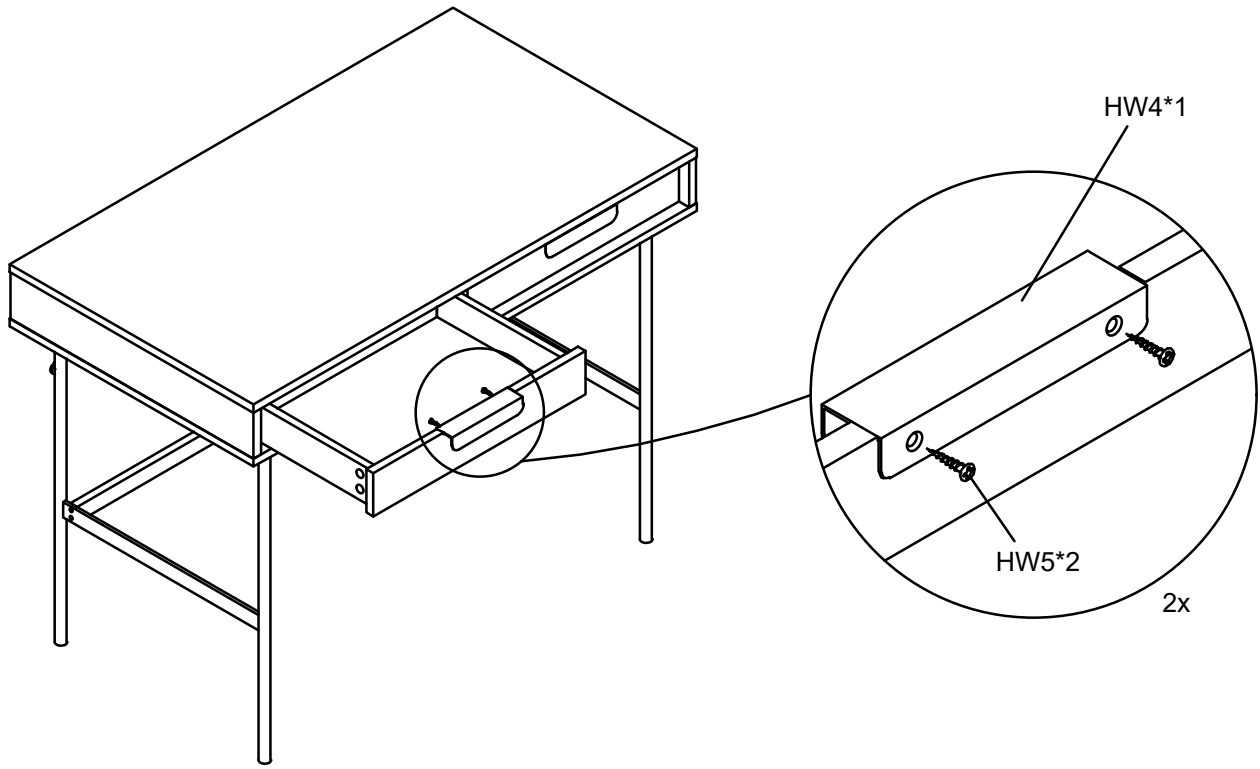
STEP1 assemble metal legs and metal bar-1



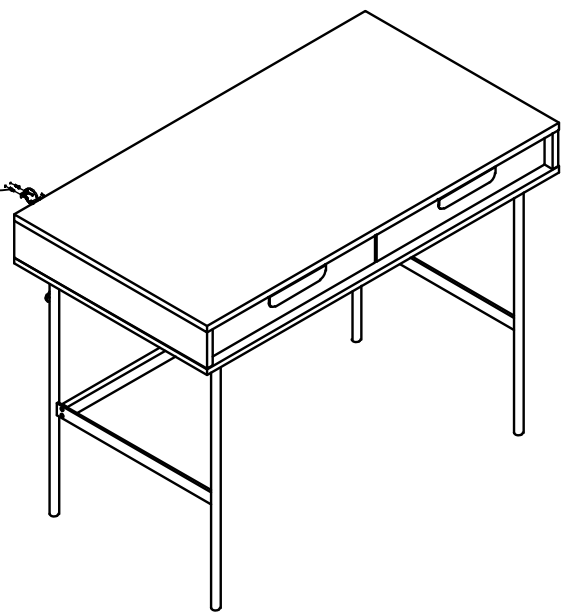
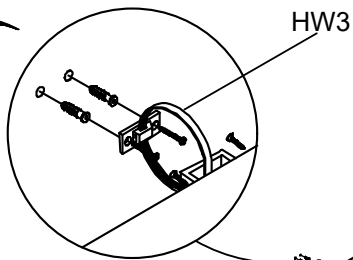
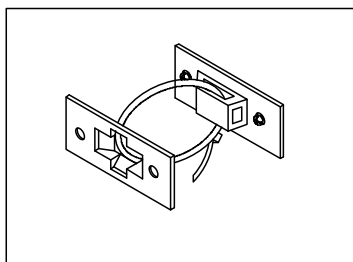
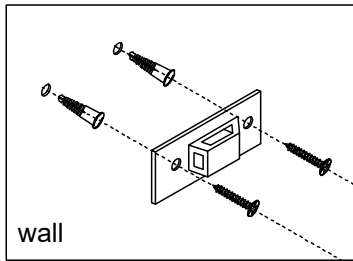
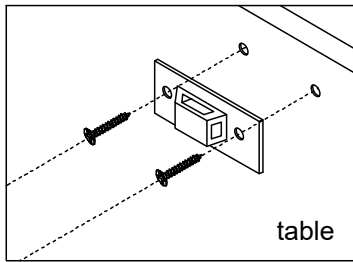
STEP2 assemble metal legs on body, do not fully tighten the screws.



STEP3 metal bar-2 on body, ok to tighten the screws.



STEP4 assemble handle



STEP5 assemble anti - tip hardware kit