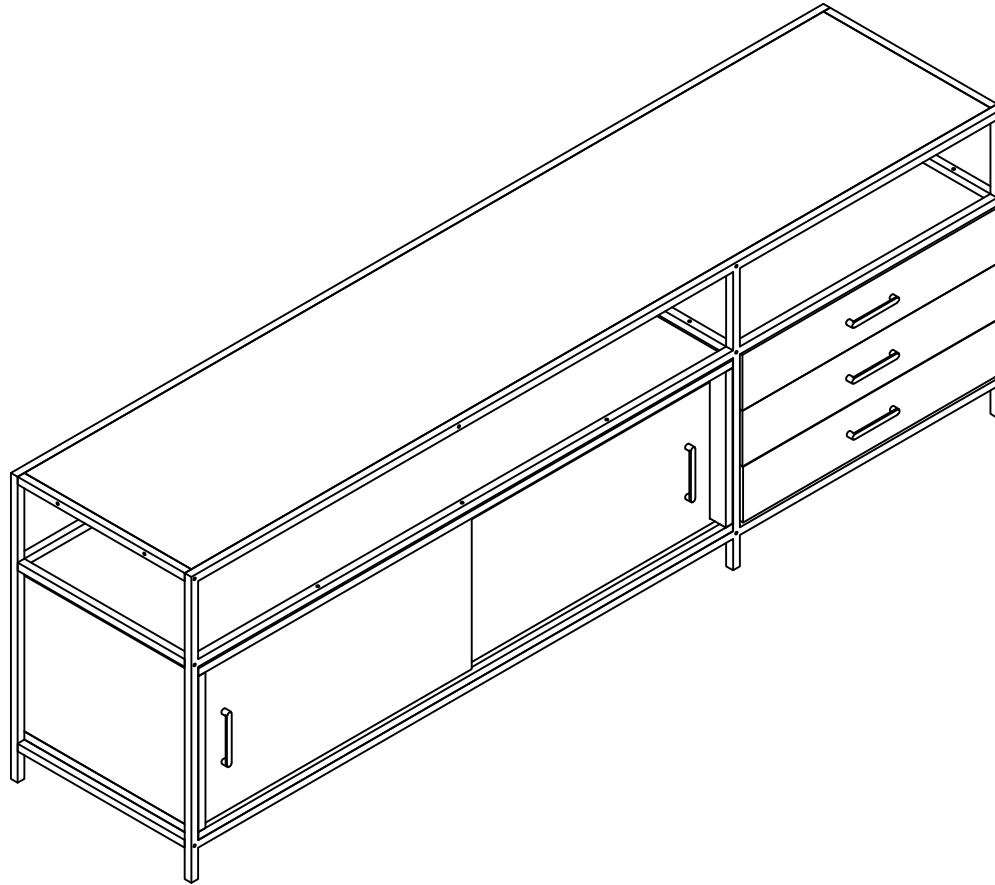
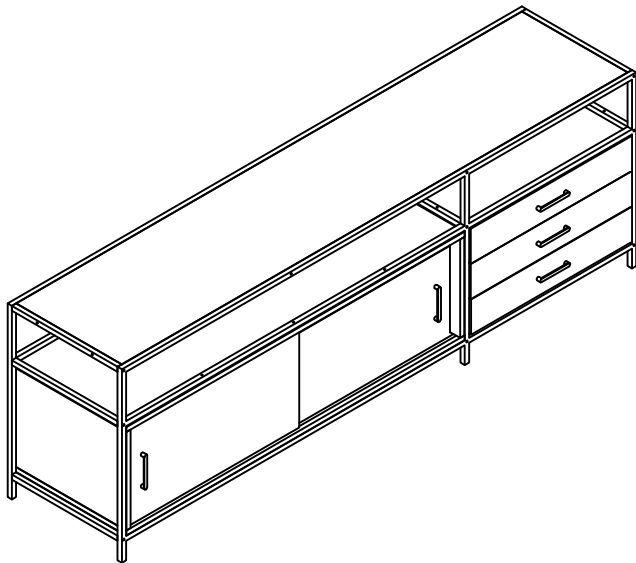


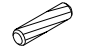




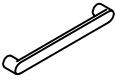
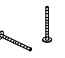
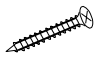

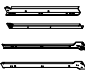


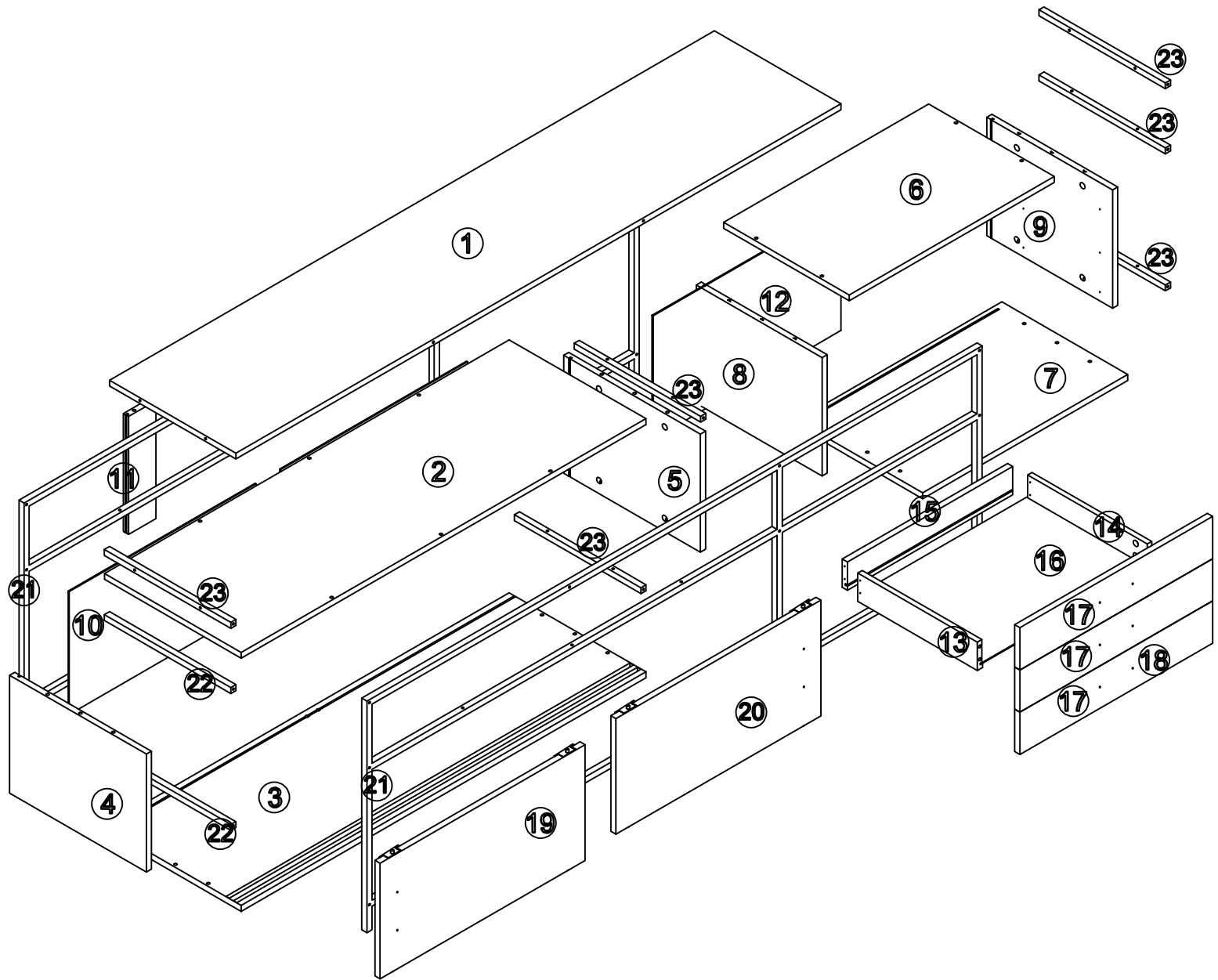


Installation & Assembly

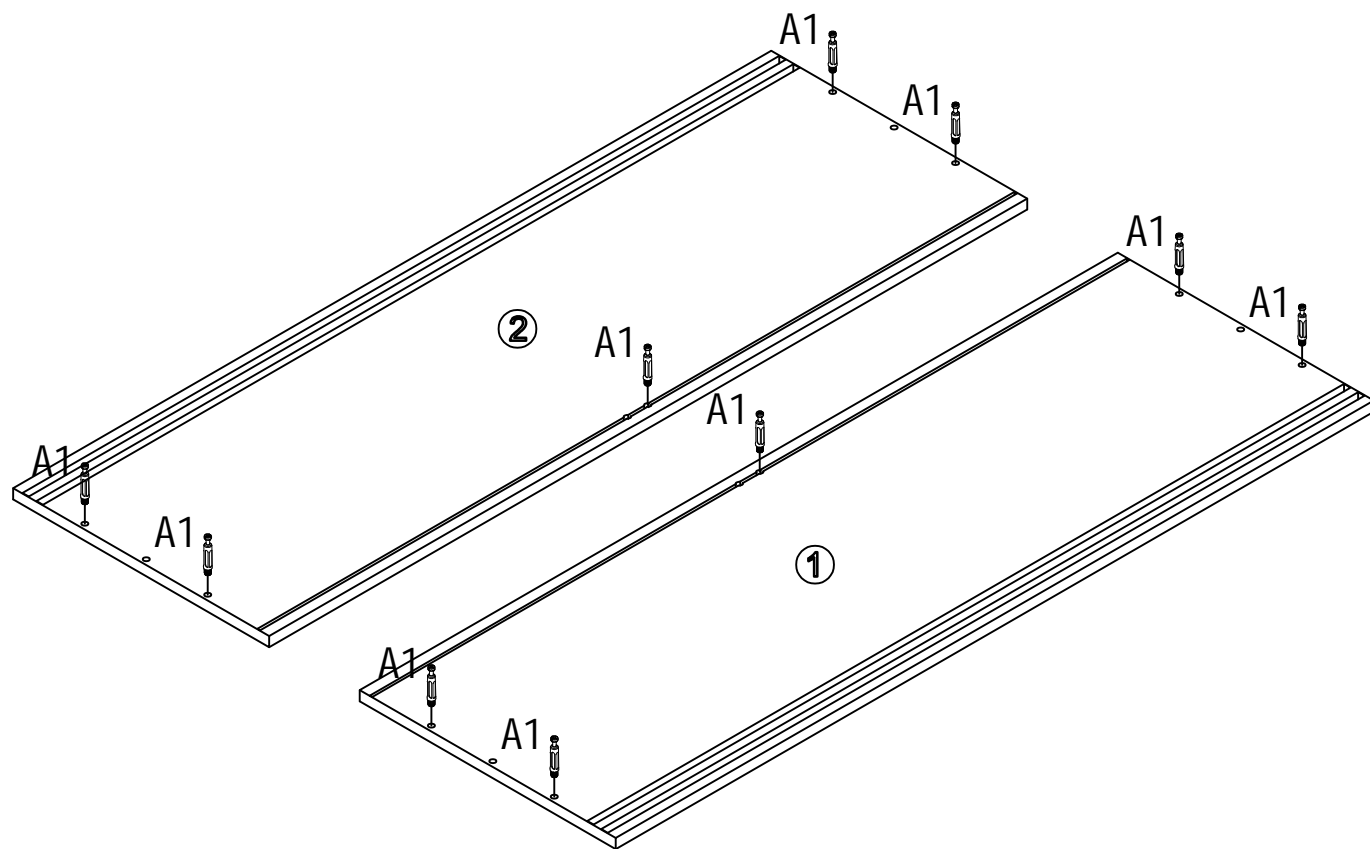




 	 <p>Φ 8*40</p>	 <p>Φ 7*50</p>	 <p>Φ 6*25</p>
<p>A 30pcs</p>	<p>B 10pcs</p>	<p>C 8pcs</p>	<p>D 20pcs</p>
 <p>Φ 6*35</p>			 <p>Φ 4*20</p>
<p>E 16pcs</p>	<p>F 4pcs</p>	<p>G 5pcs</p>	<p>H 10pcs</p>
 <p>Φ 3.5*30</p>	 <p>Φ 3.5*14</p>		
<p>I 12pcs</p>	<p>J 56pcs</p>	<p>K 3pcs</p>	<p>L 30pcs</p>
			
<p>M 4pcs</p>			



1

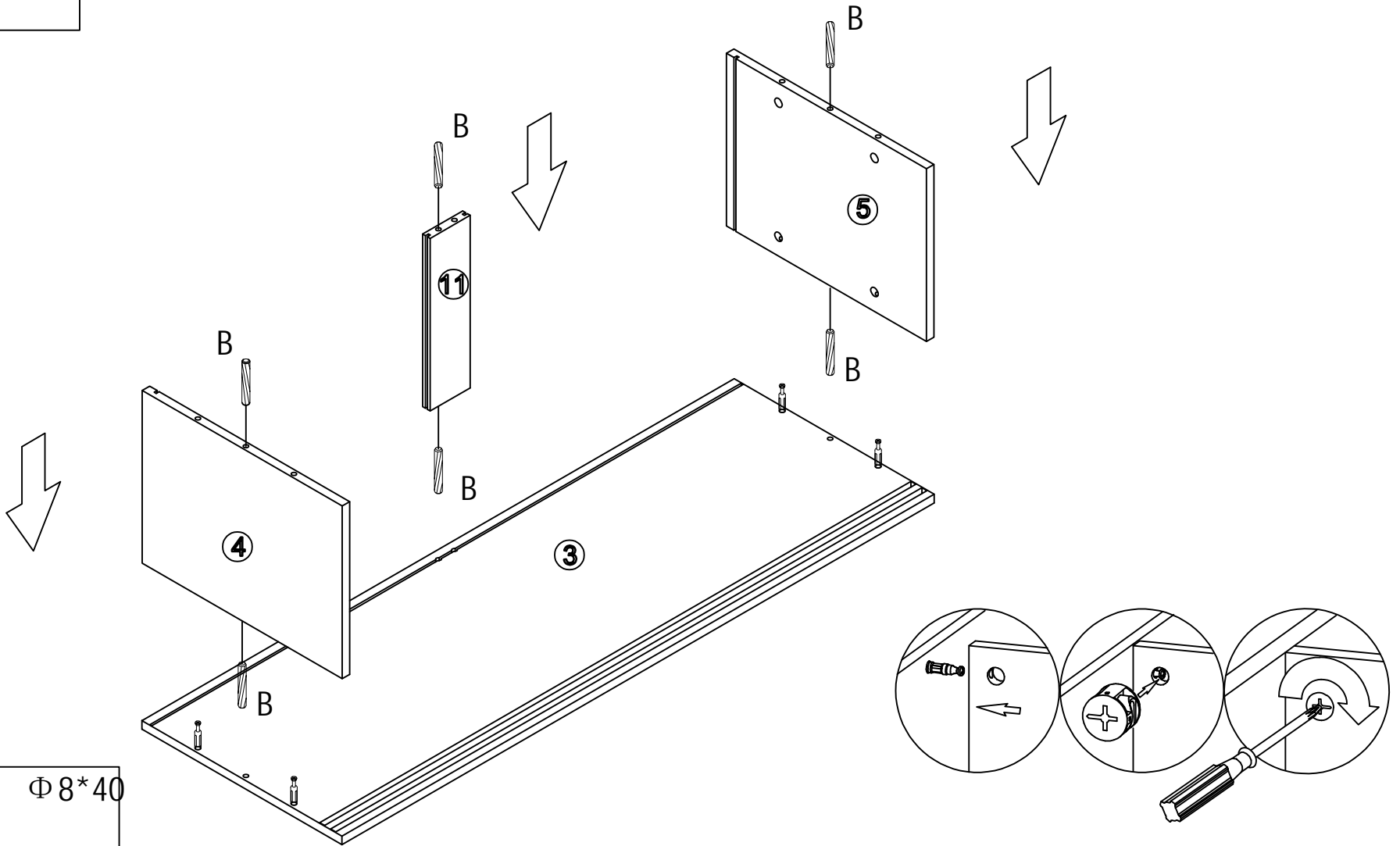


A1



10PCS

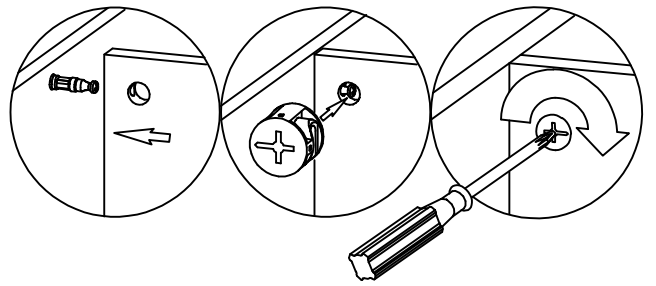
2



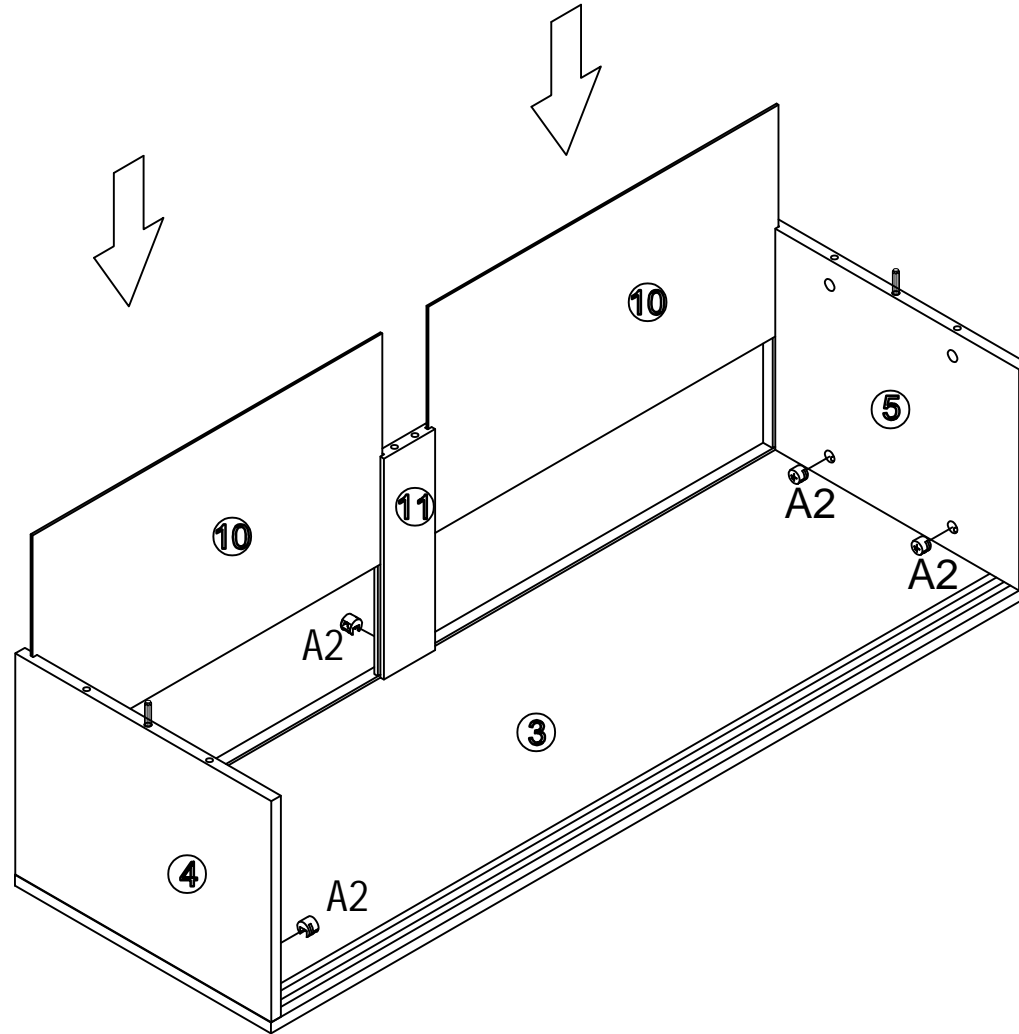
B

$\Phi 8 \times 40$

6PCS



3

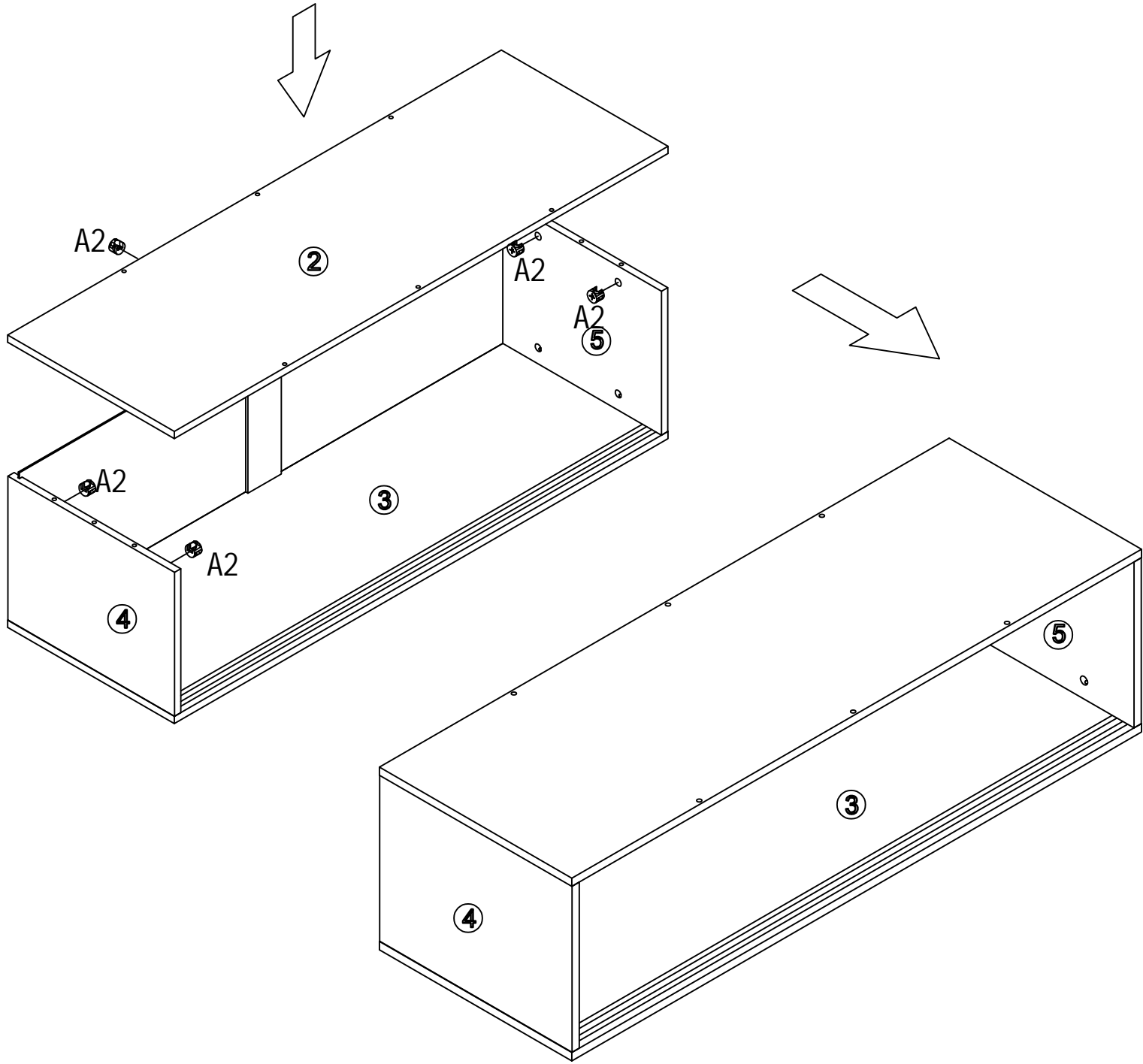


A2



5PCS

4

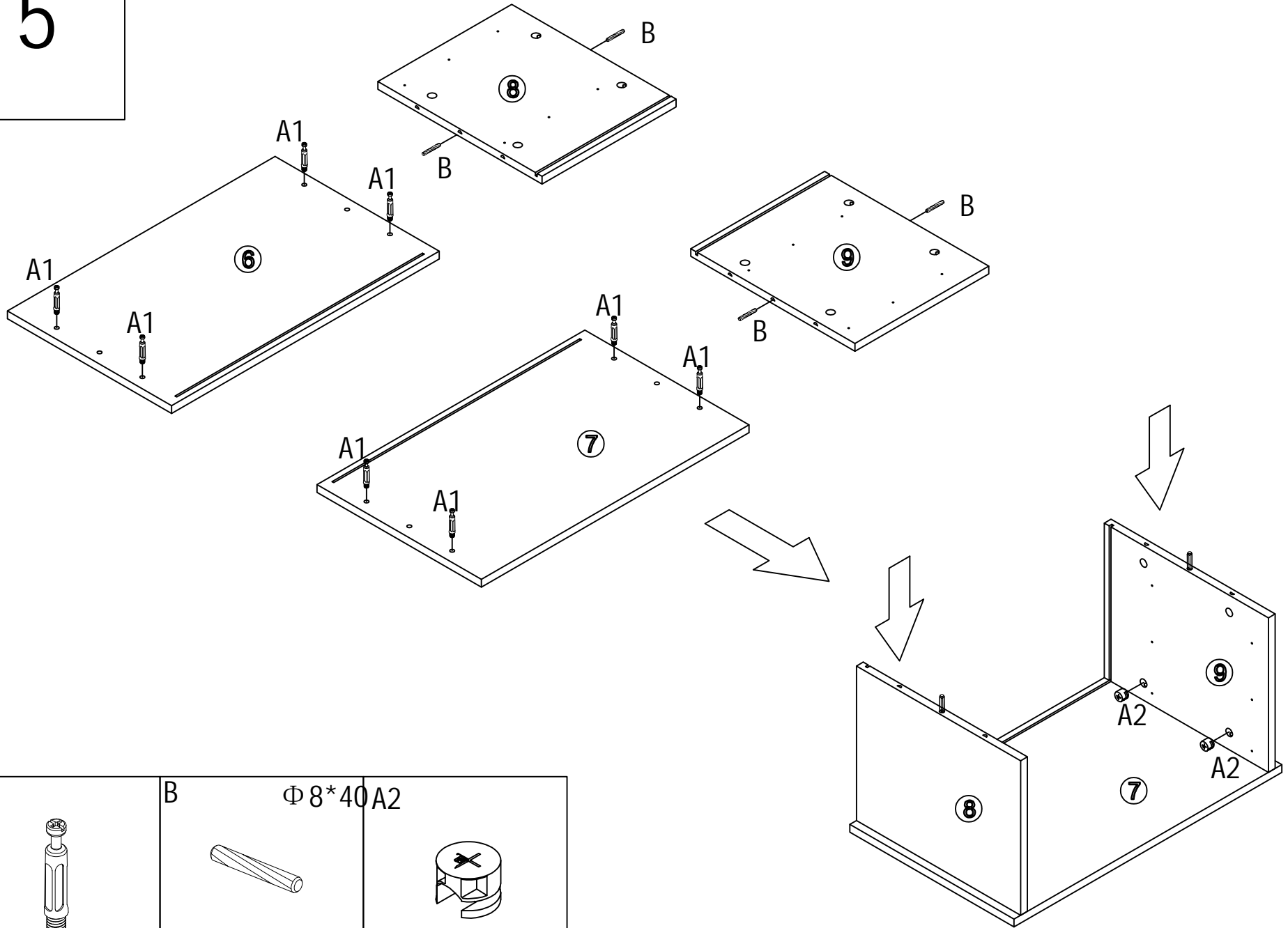



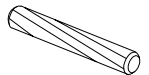

A2



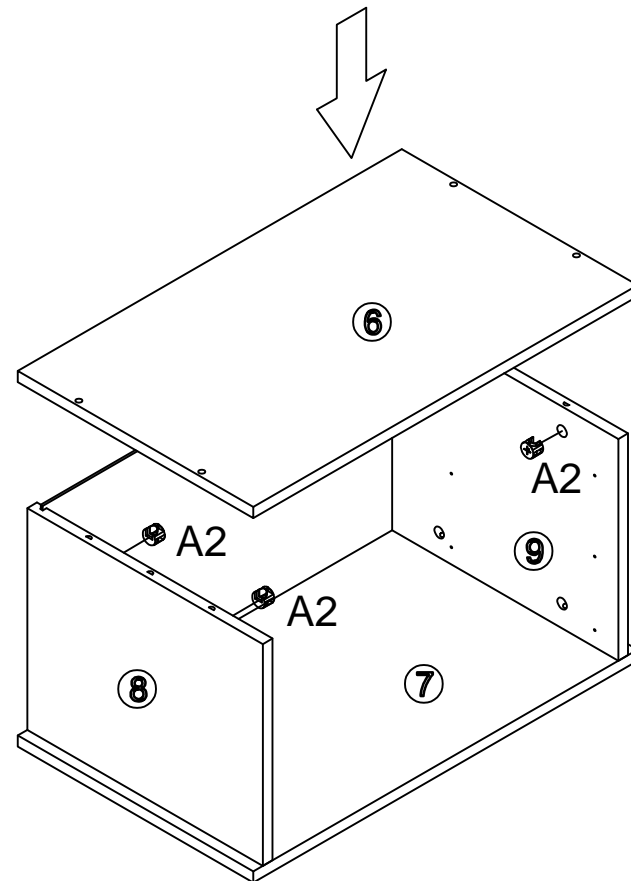
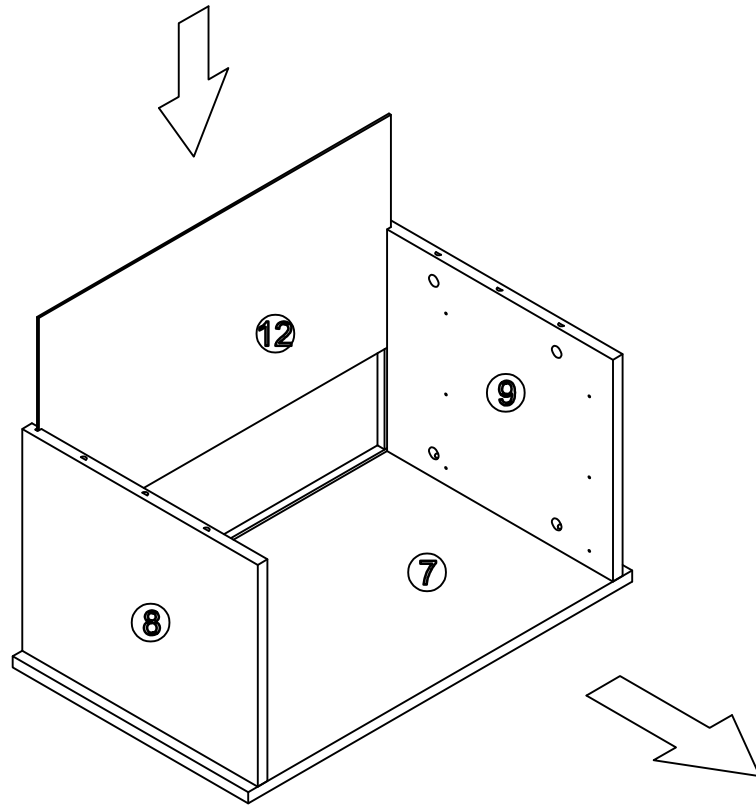
5PCS

5



<p>A1</p>  <p>8PCS</p>	<p>B</p> <p>$\Phi 8 \times 40$</p>  <p>4PCS</p>	<p>A2</p>  <p>4PCS</p>
---	---	---

6

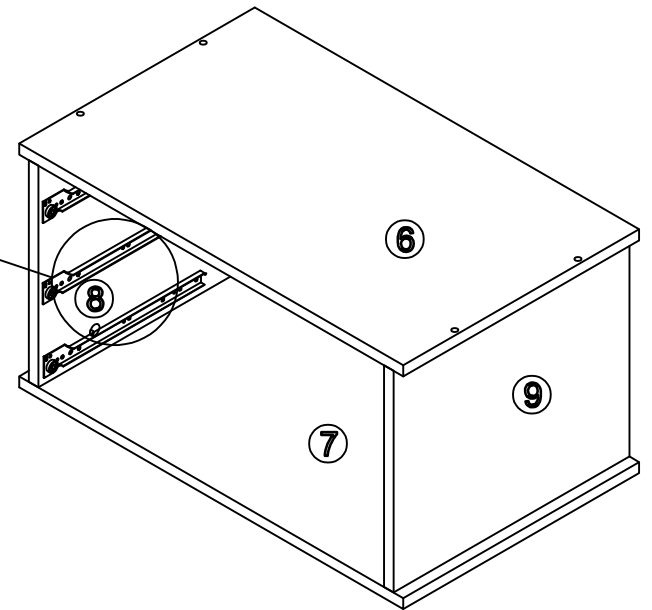
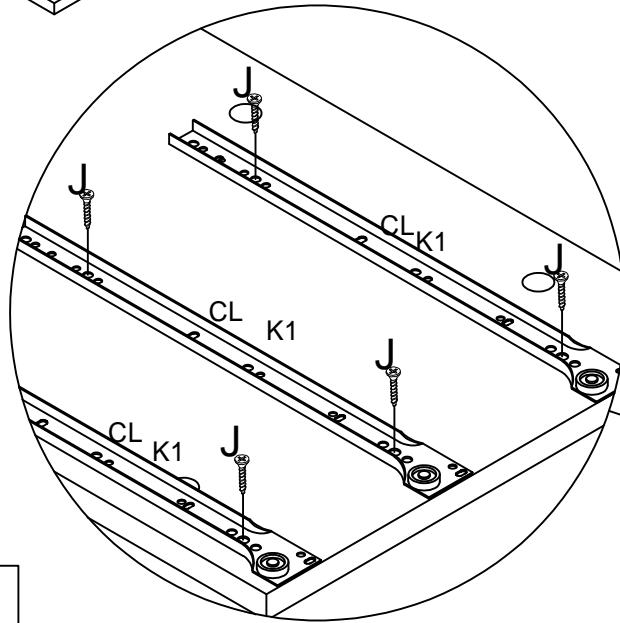
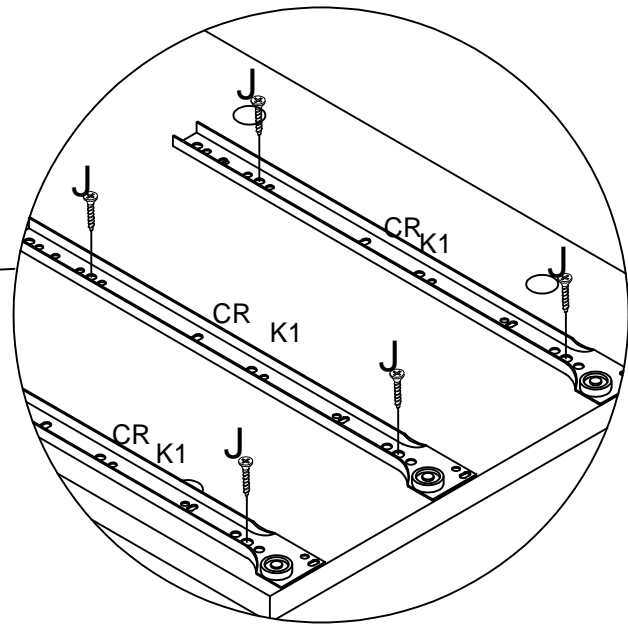
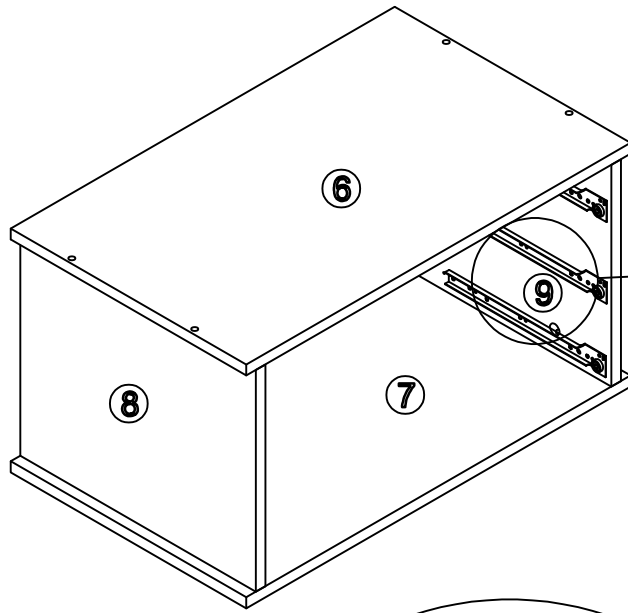


A2



4PCS

7



J



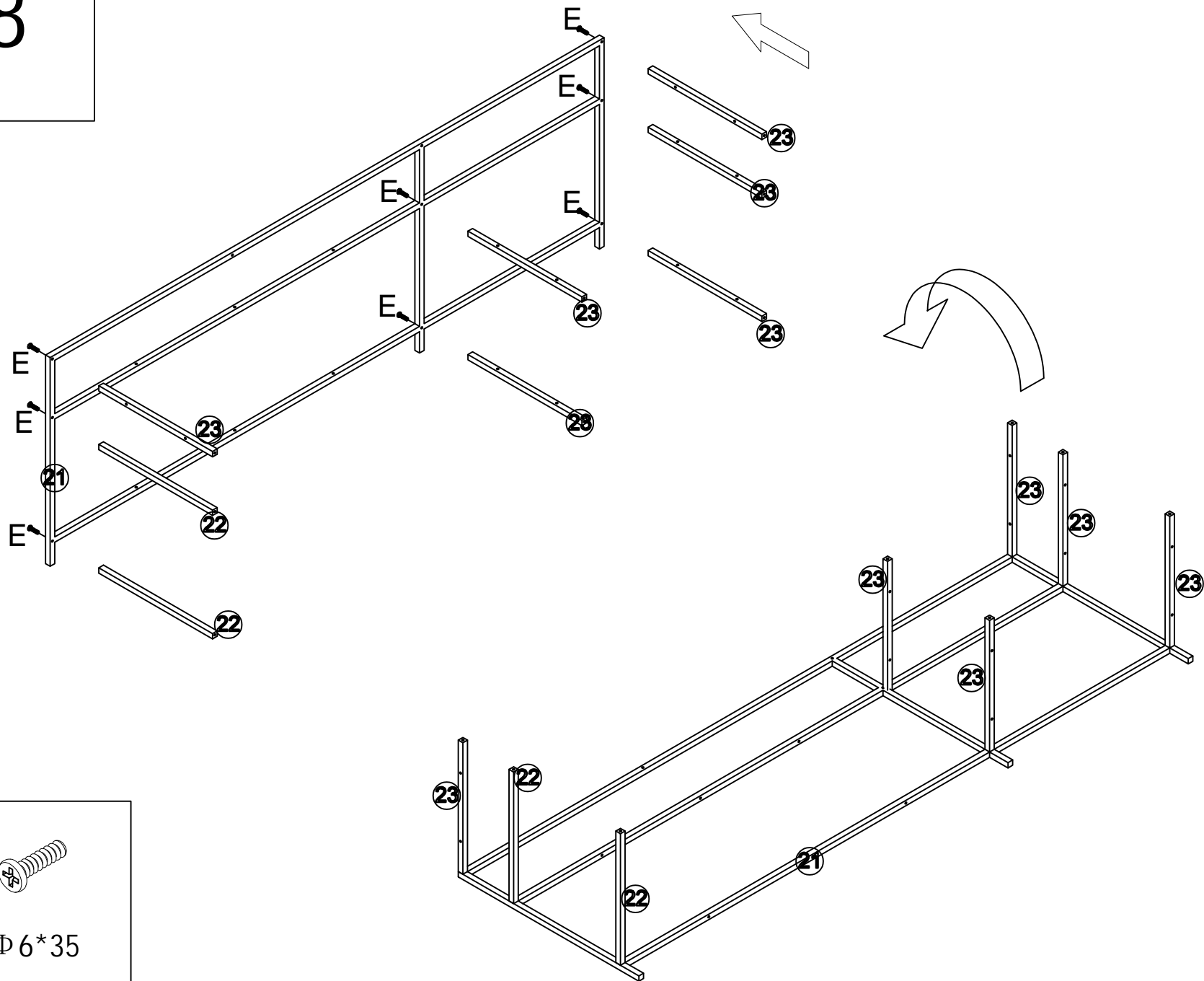
12DCS

K

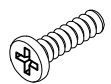


6DCS

8



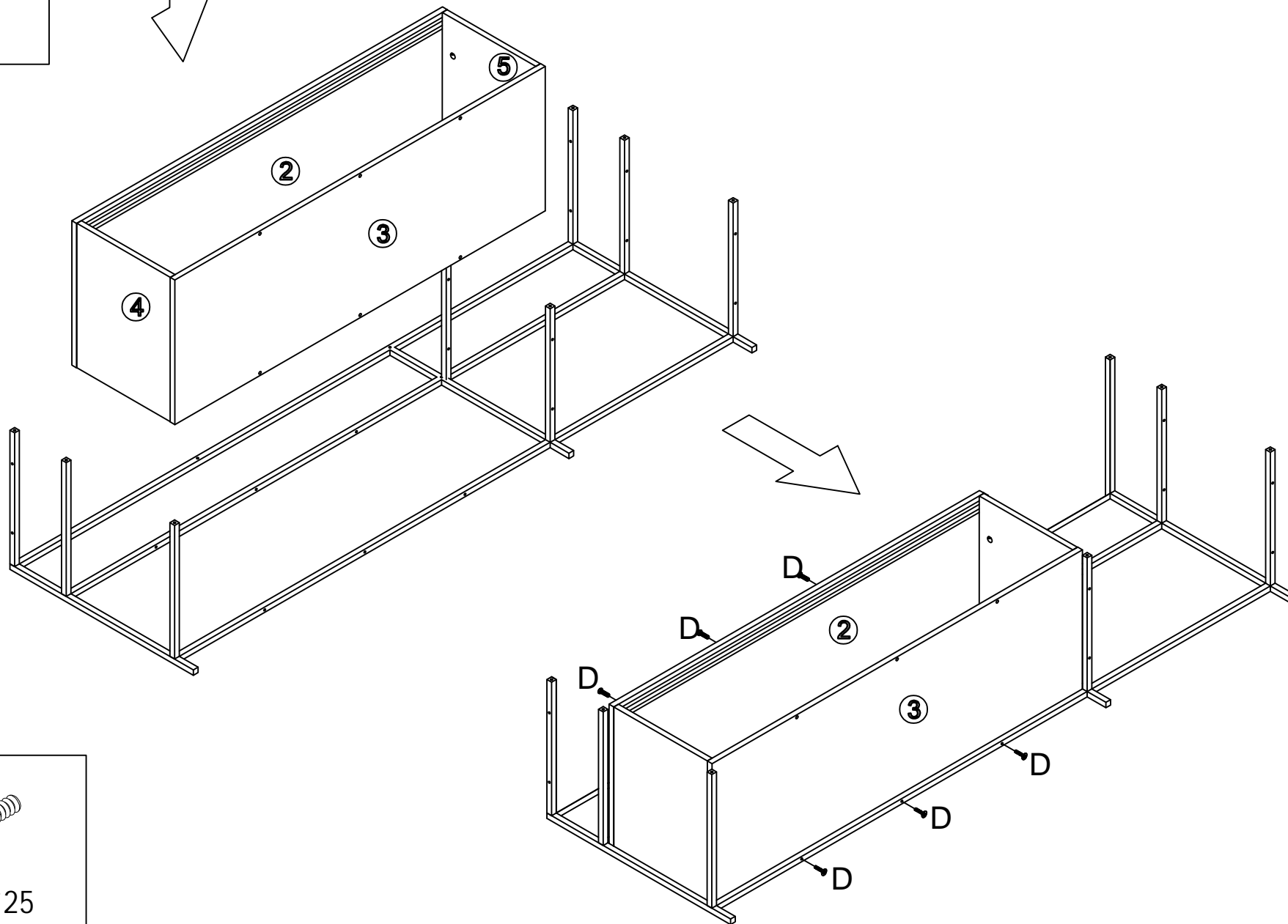
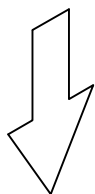
E



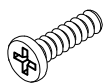
$\Phi 6 * 35$

8PCS

9



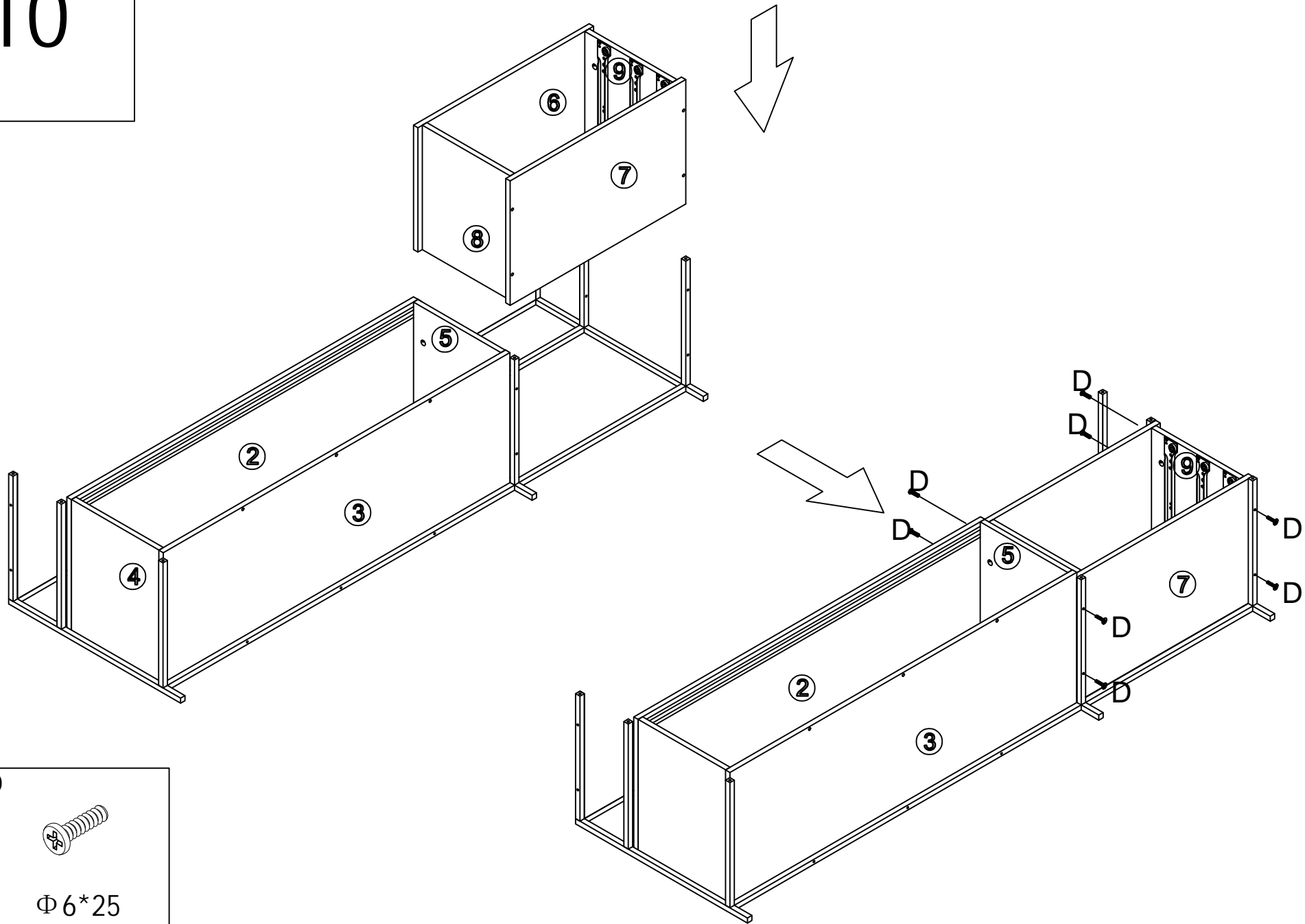
D



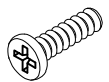
$\Phi 6 * 25$

6PCS

10



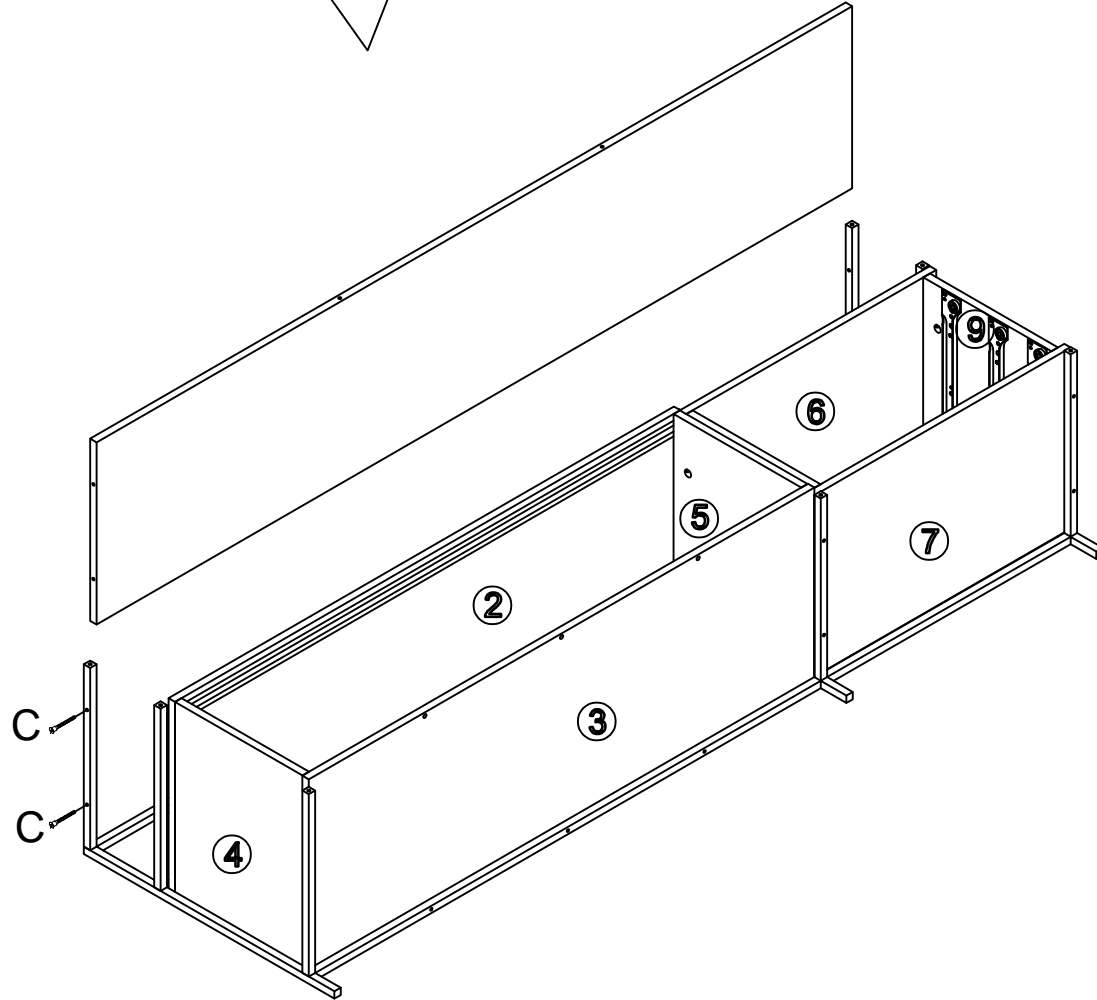
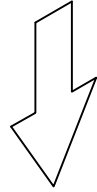
D



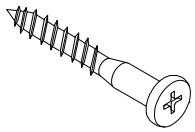
$\Phi 6 * 25$

8PCS

11



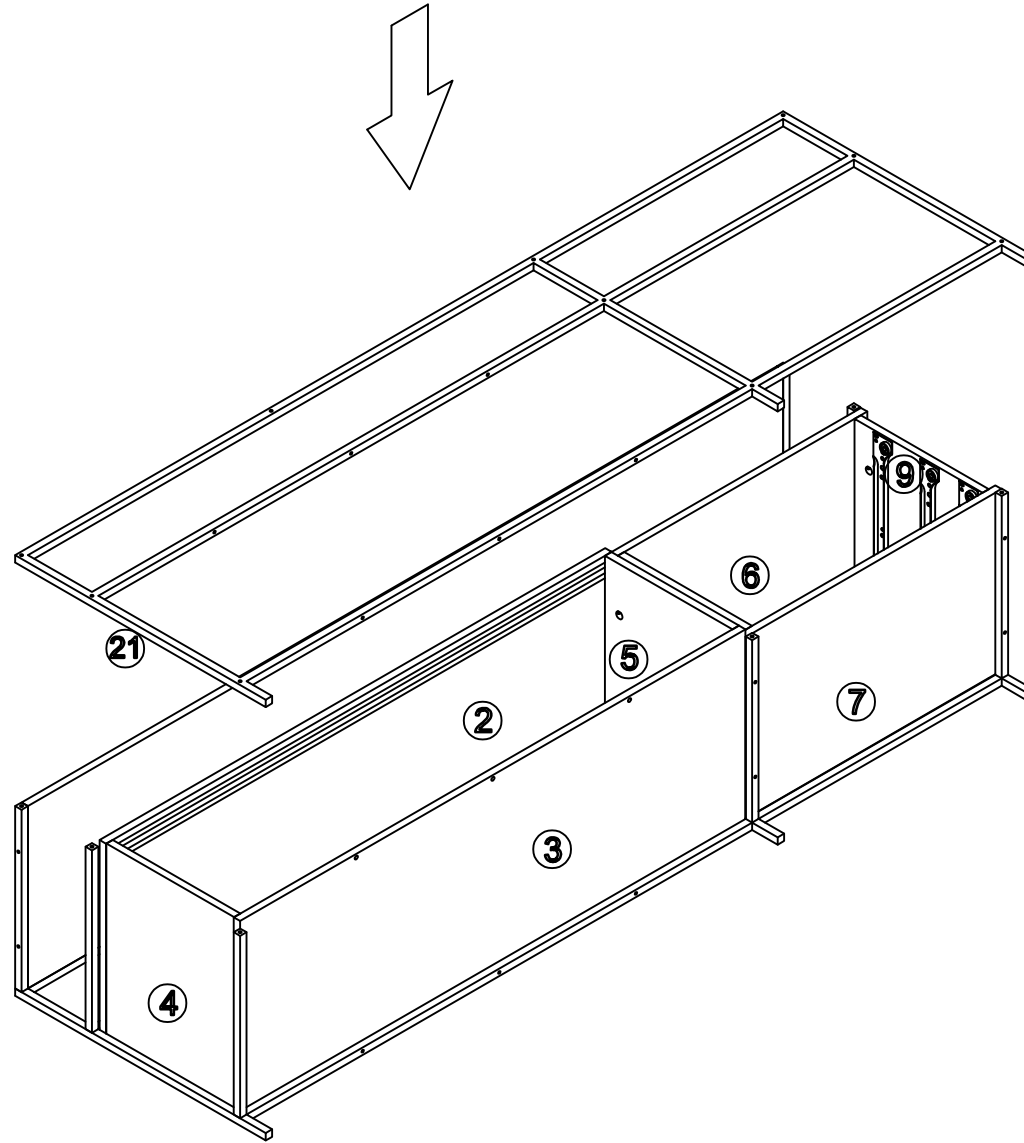
C



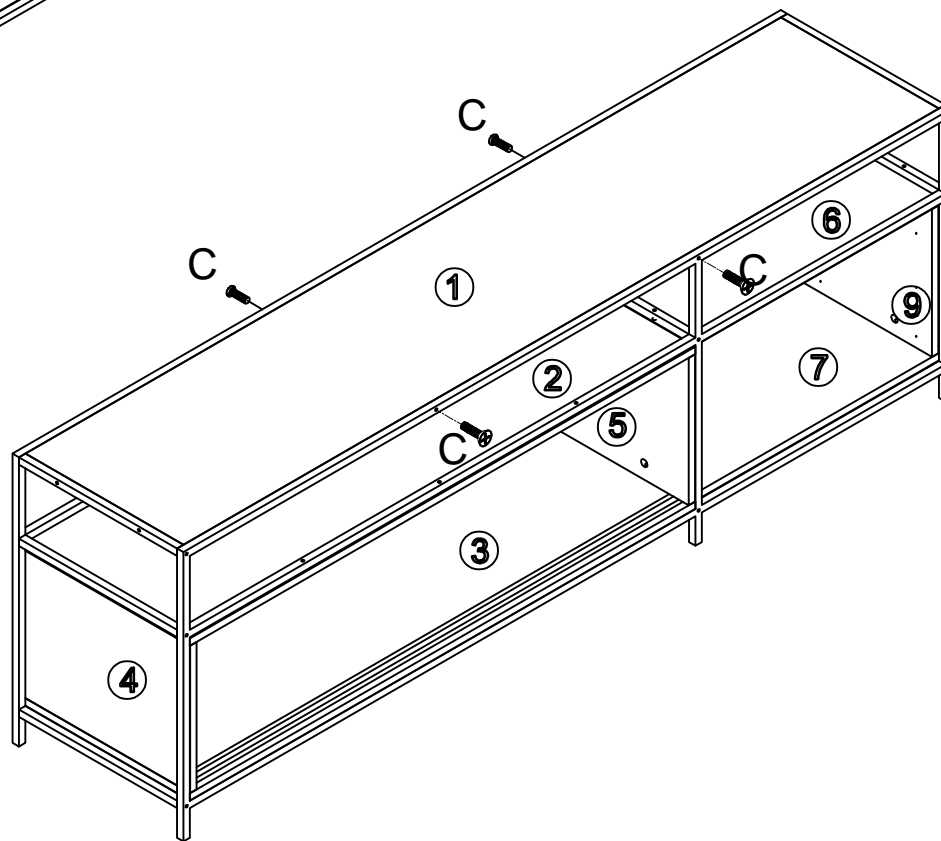
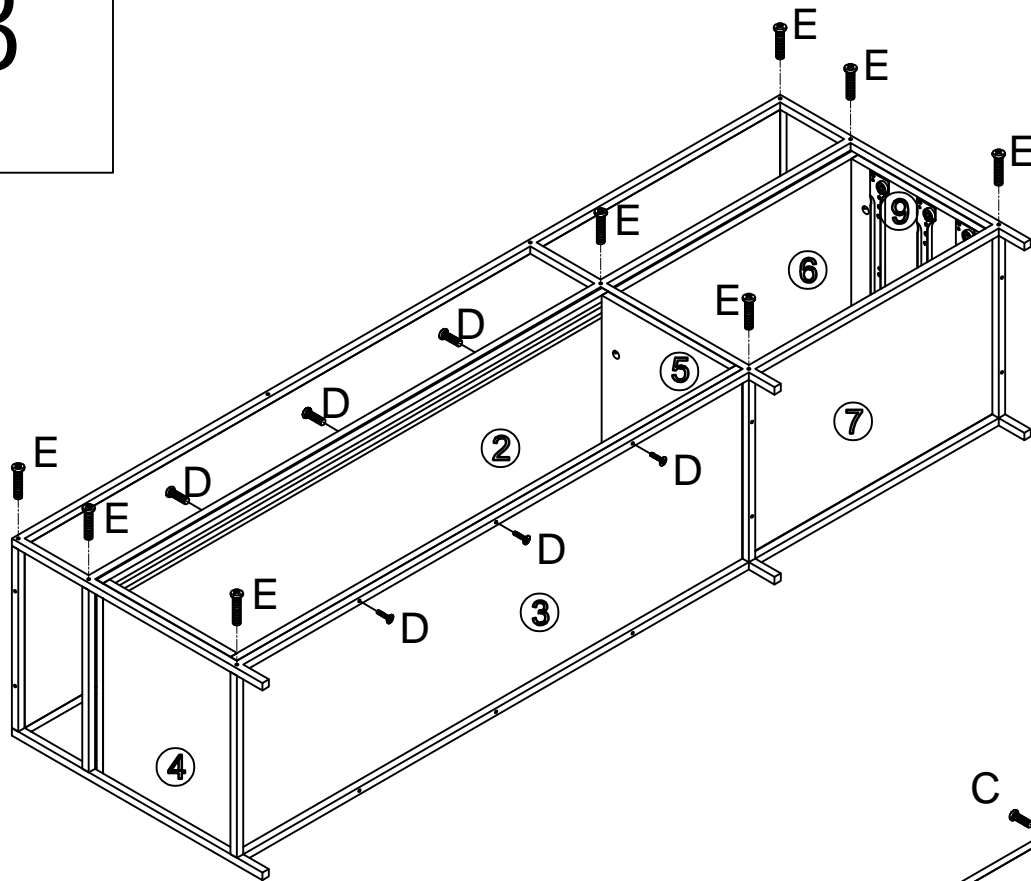
$\Phi 7*50$

4PCS

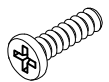
12



13



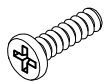
E



Φ 6*35

8PCS

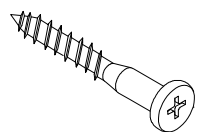
D



Φ 6*25

6PCS

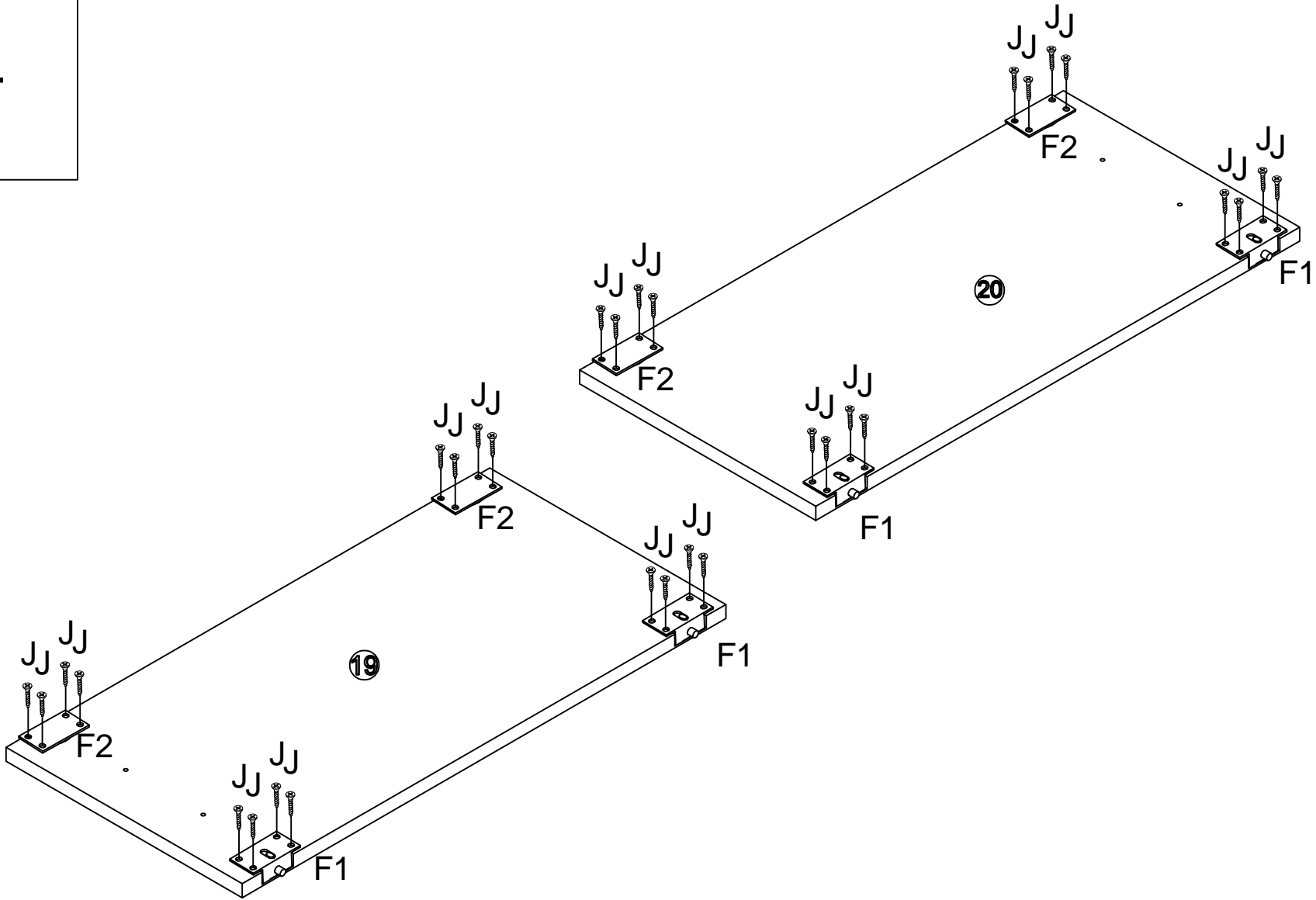
C


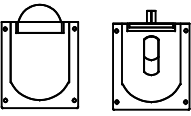


Φ 7*50

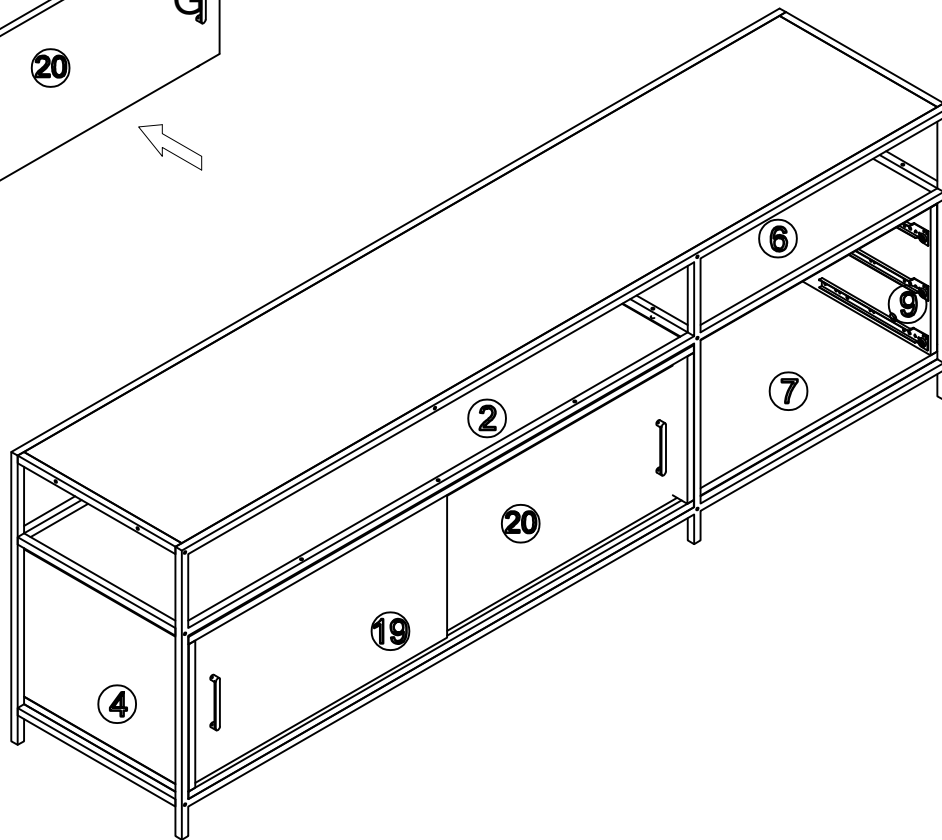
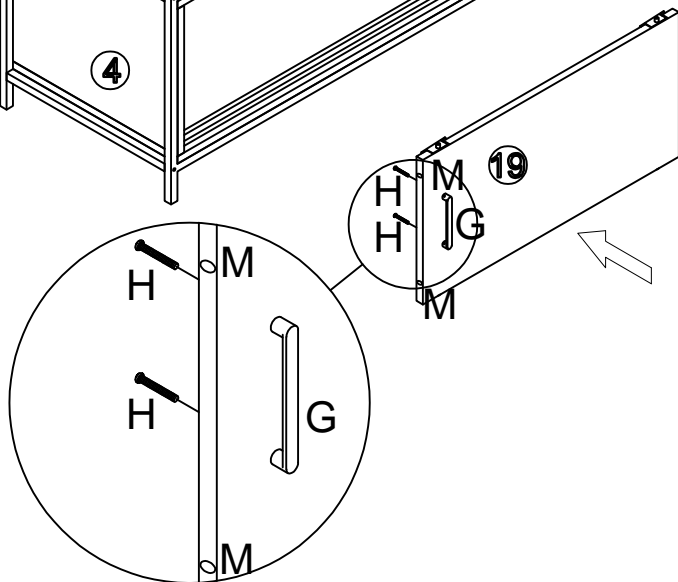
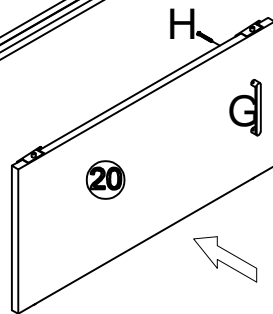
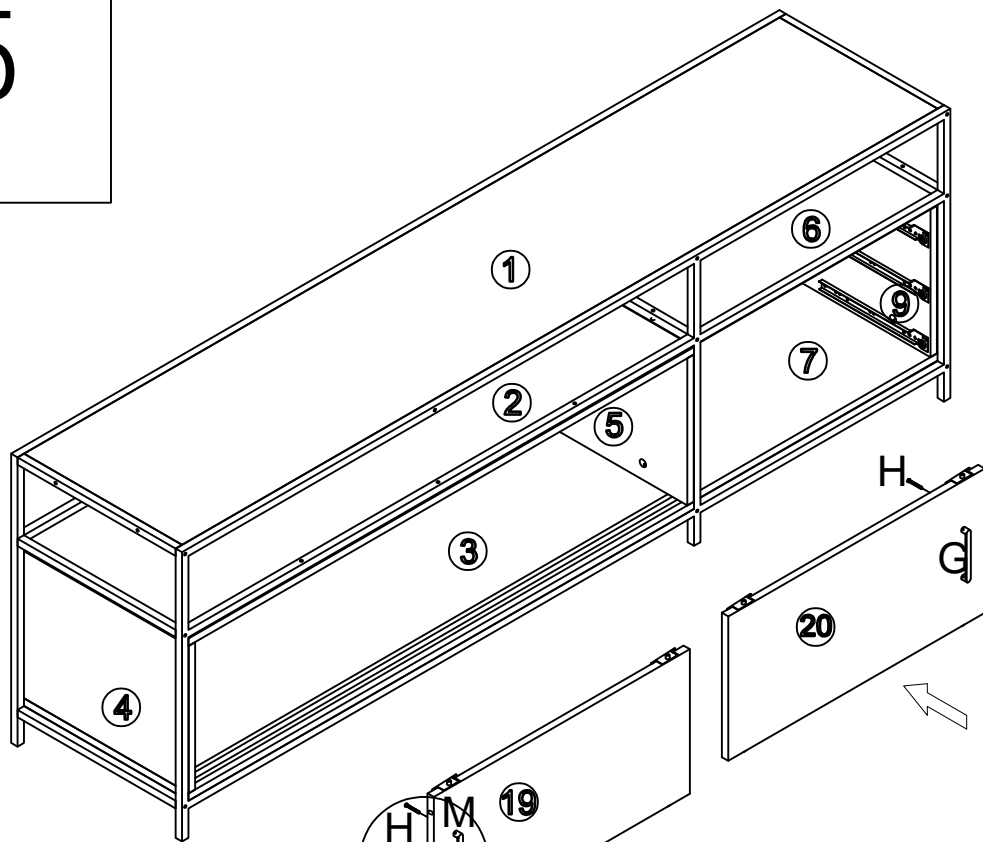
4PCS

14



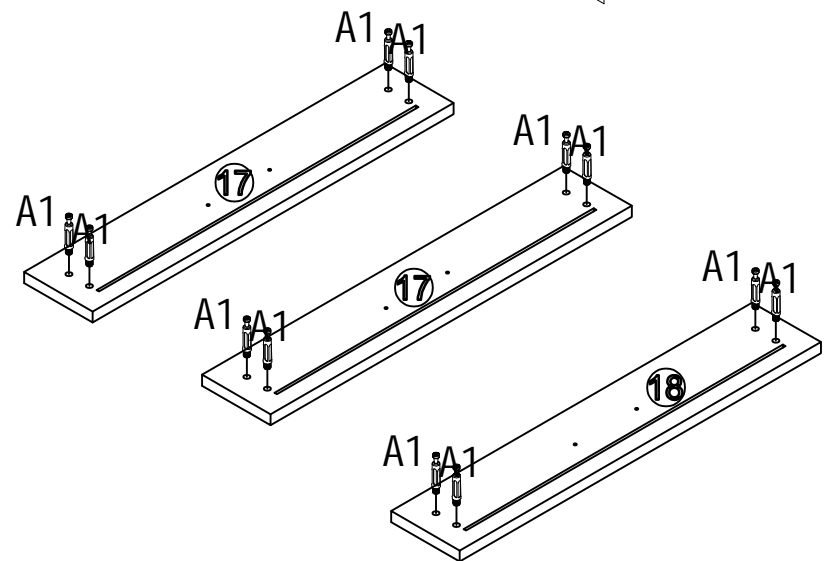
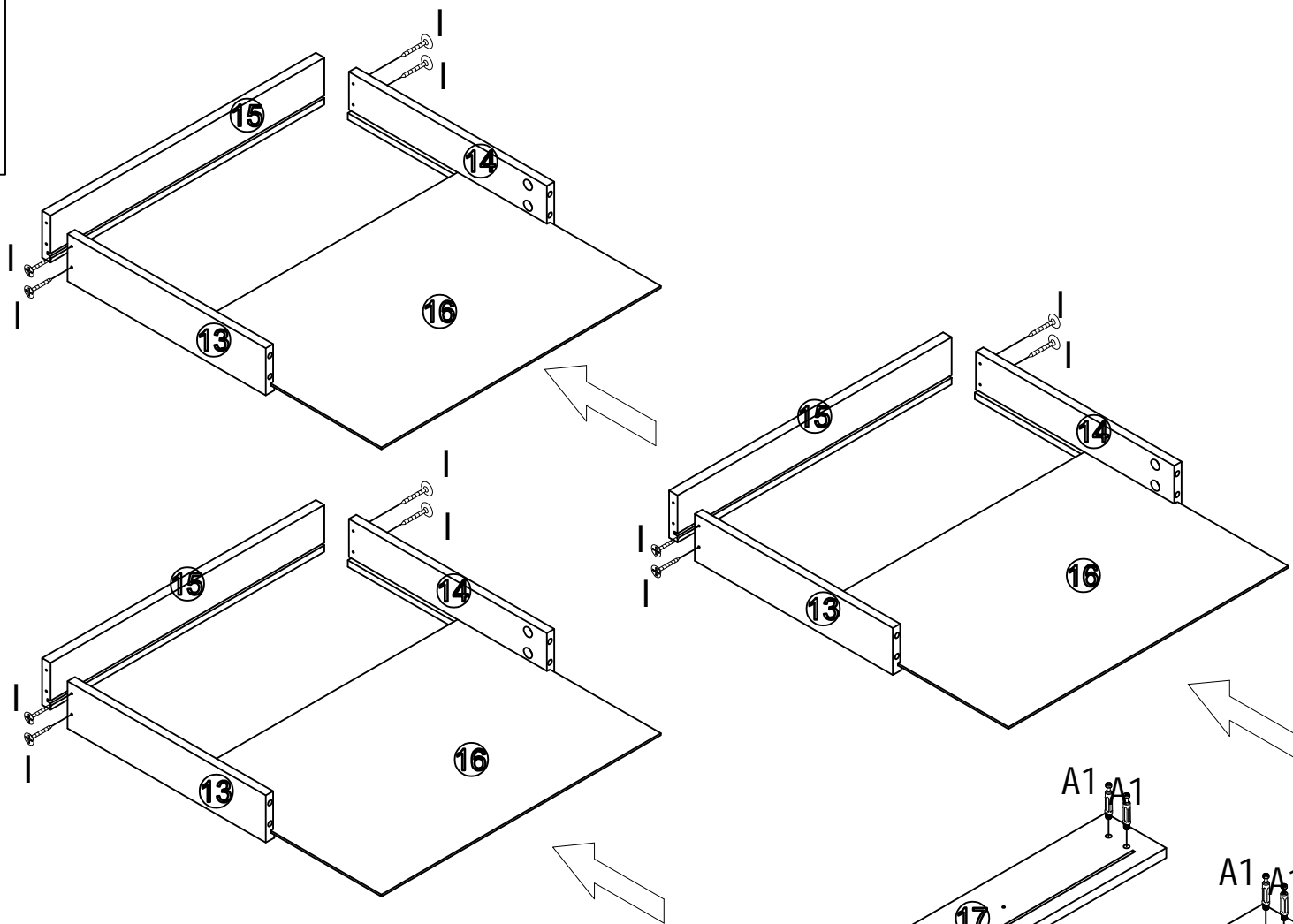
<p>J</p>  <p>32PCS</p>	<p>F</p>  <p>F2 F1</p> <p>4PCS</p>
---	--

15



G	H	M
2pcs	4pcs $\Phi 4 \times 20$	4pcs

16

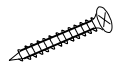


A1



12pcs

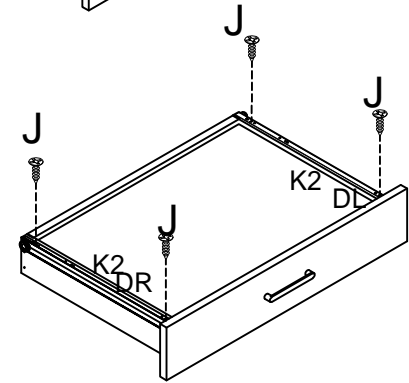
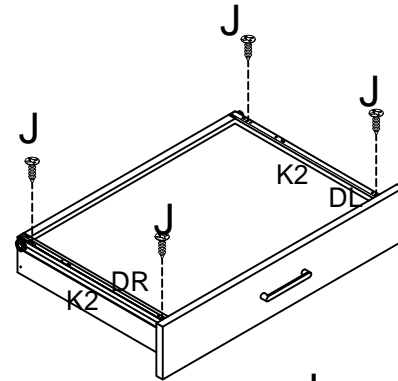
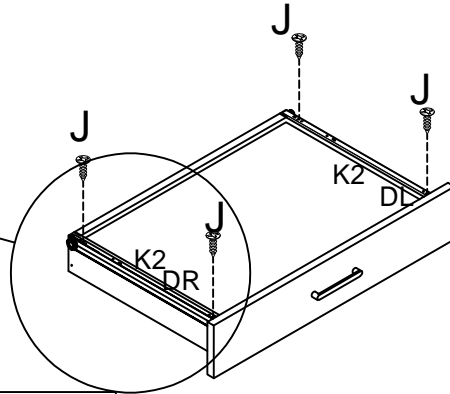
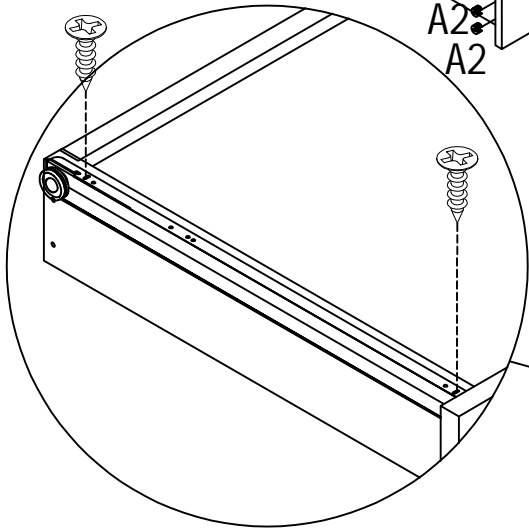
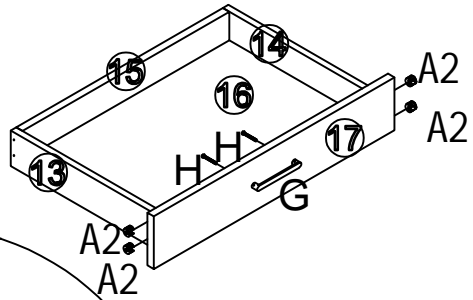
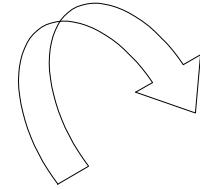
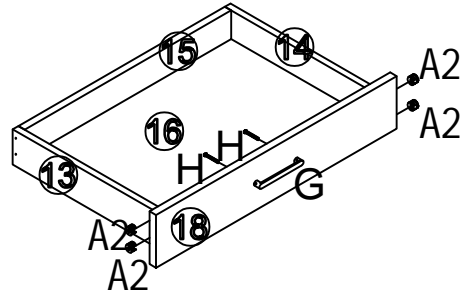
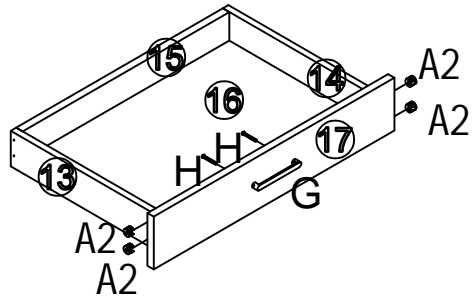
I



$\Phi 3.5 \times 30$

12pcs

17

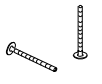


A2



12PCS

H



Φ4*20

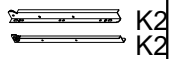
6PCS

J



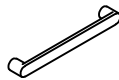
12PCS

K



3PCS

G



18

