

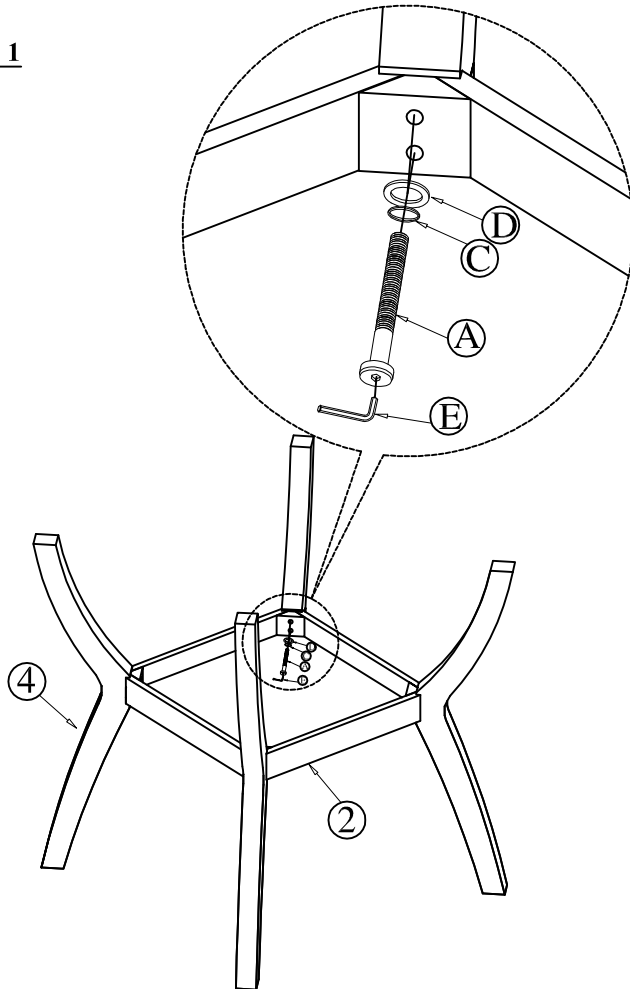
ASSEMBLY INSTRUCTION

DIMENSINONS : 42"L x 42"W x 36"H

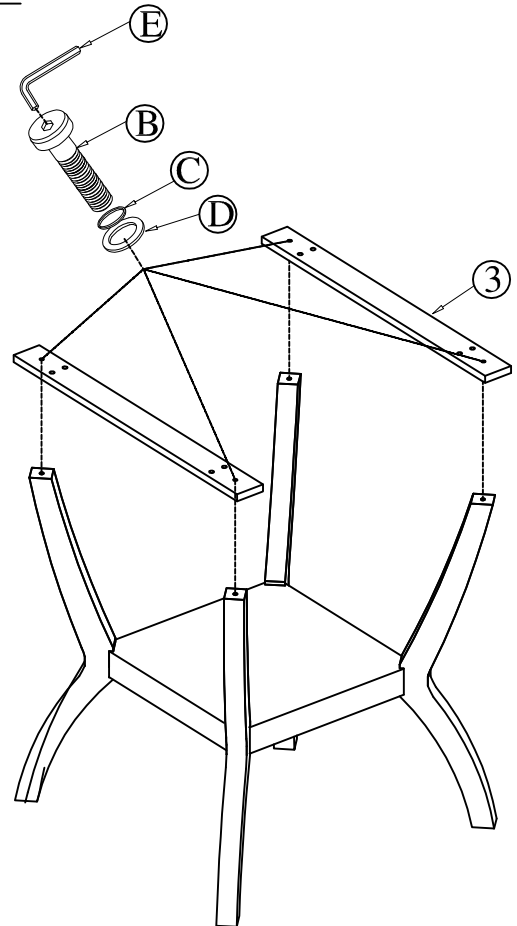
Description : TABLE

No	LIST OF PAST		Q'TY	No	LIST OF HARDWARE		Q'TY
1	TABLE TOP		1pc	A	LONG BOLT 	Ø5/16" x 63.5mm	8pcs
2	TABLE BASE		1pc	B	SHORT BOLT 	Ø5/16" x 38mm	12pcs
3	STRETCHER		2pcs	C	LOCK WASHER 	Ø5/16"	20pcs
4	TABLE LEG		4pcs	D	WASHER 	Ø5/16" x 19 x 2	20pcs
				E	ALLEN KEY 	4 mm	1pc

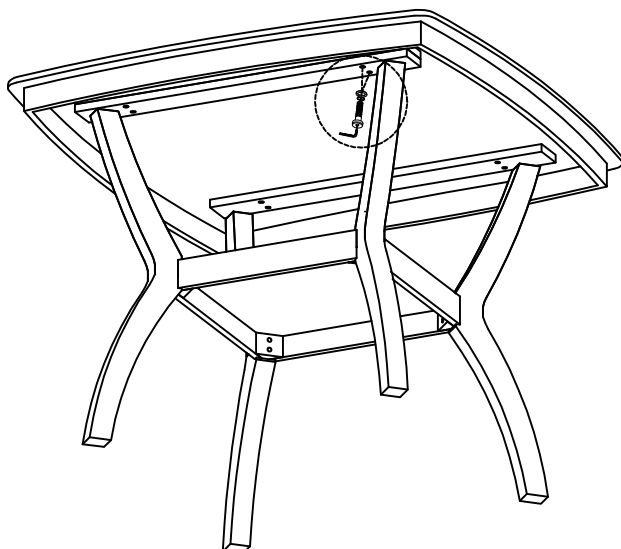
STEP 1



STEP 2



STEP 3



STEP 4

