

ASSEMBLY INSTRUCTION

ITEM DESCRIPTION :

Bench





IMPORTANT NOTE :

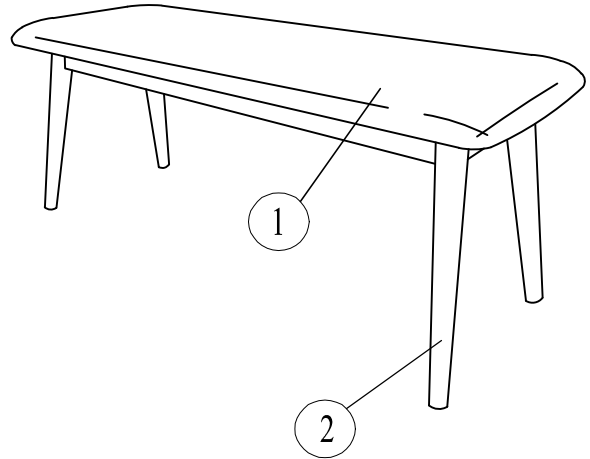
- PLACE ALL WOODEN PARTS ON A CLEAN AND SMOOTH SURFACE SUCH AS A RUG OR CARPET TO AVOID THE PARTS FROM SCRATCHED.
- BEFORE YOU ASSEMBLE THE TABLE, KINDLY FOLLOW THE ASSEMBLE INSTRUCTIONS STEP BY STEP.

PART LIST

NO	DESCRIPTION	QTY
1	SEAT FRAME & SEAT	1 pc
2	LEG	4 pcs

HARDWARE LIST

NO	DESCRIPTION	QTY
A	JCBC BOLT M6 x 60mm 	8 pcs
B	SPRING WASHER 	8 pcs
C	FLAT WASHER 	8 pcs
D	ALLEN KEY M4 	1 pc



STEP 1

PLEASE FACE DOWN THE BENCH TOP ON SMOOTH SURFACE, ATTACH THE LEG AT CORNER BLOCK. INSERT THE HARDWARE AND TIGHTEN IT.

** FOLLOW THE SAME STEP FOR OTHER LEG.

