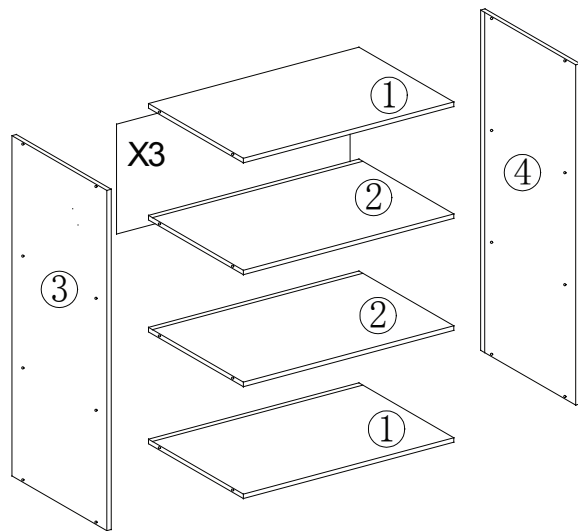
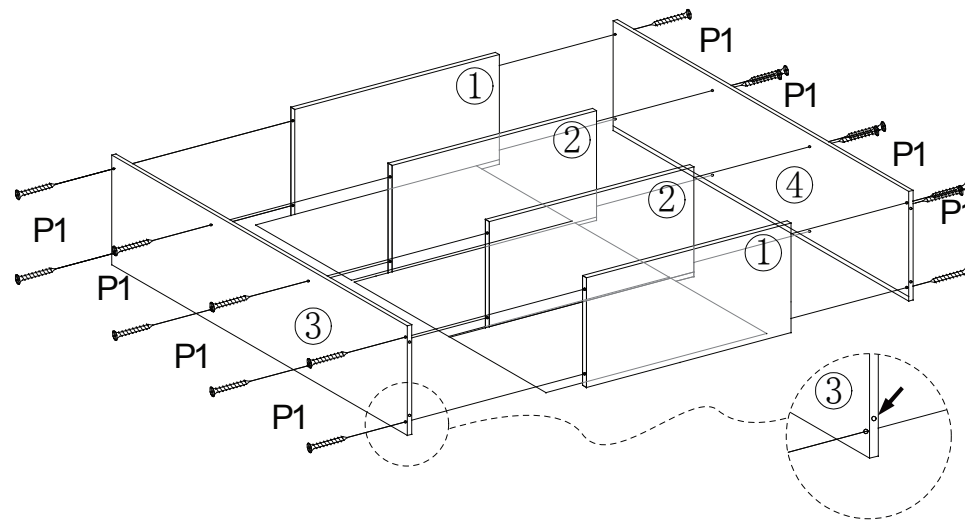


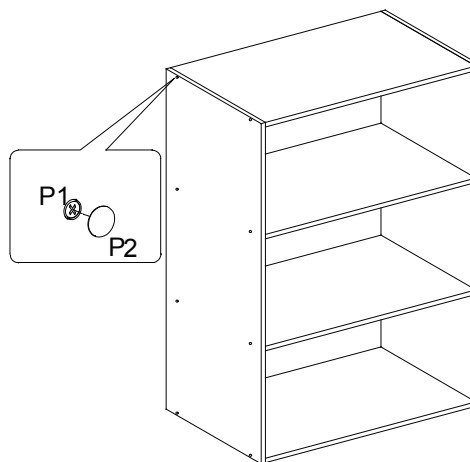
# ASSEMBLING INSTRUCTIONS



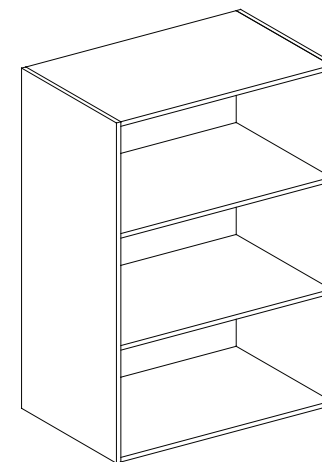
1

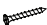









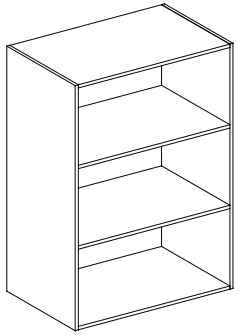
2



3



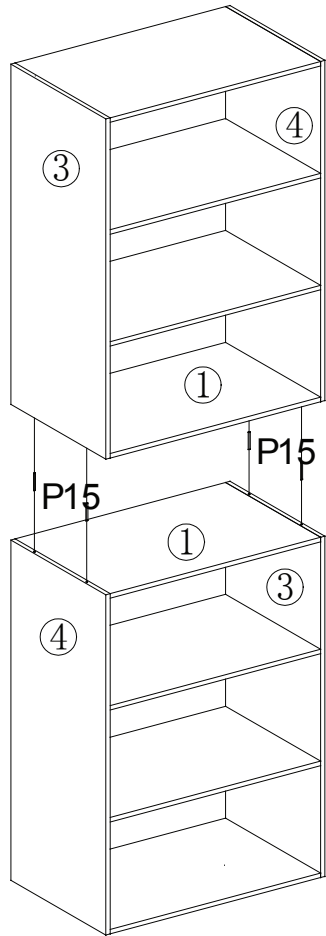
P1		M4X35mm	17 PCS
P2			16 PCS
P3			1 PC
P4			2 PCS
P5			1 PC
P13		M3.5X12mm	5 PCS
P14			1 PC
P15			2 PCS



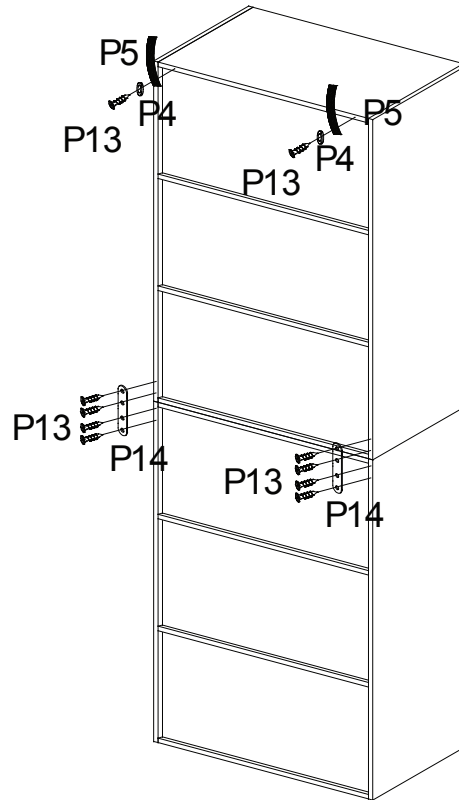
X2

To attach two STAKKD 3 Tier units together please see instructions below

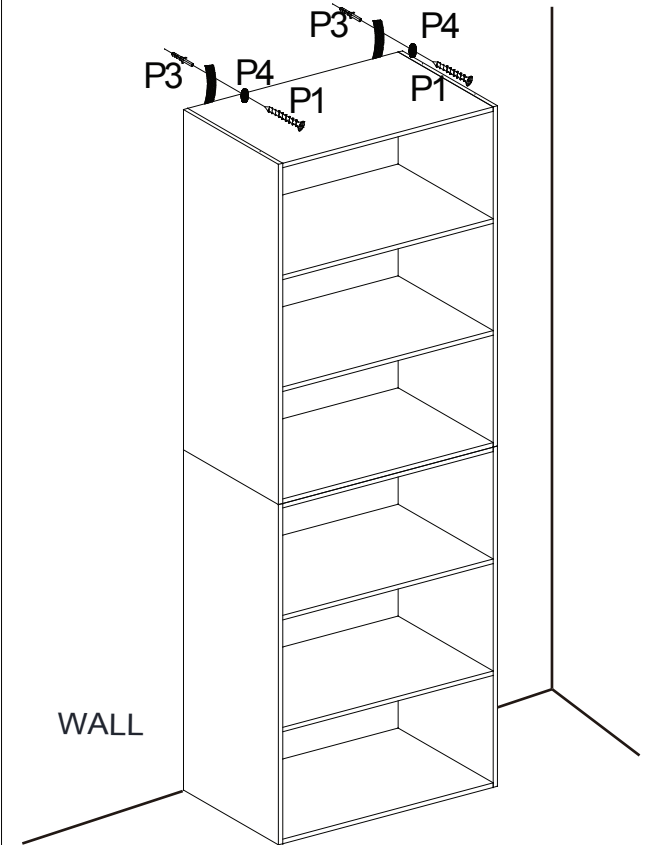
4

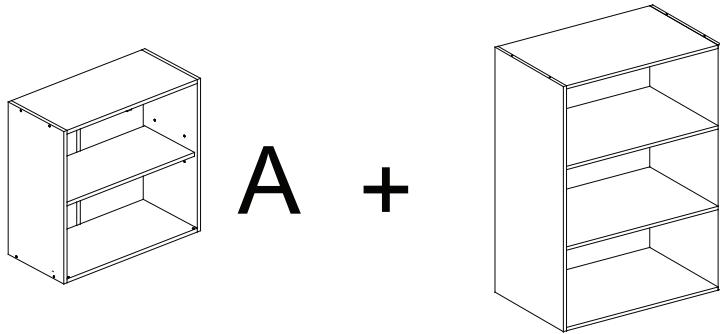


5



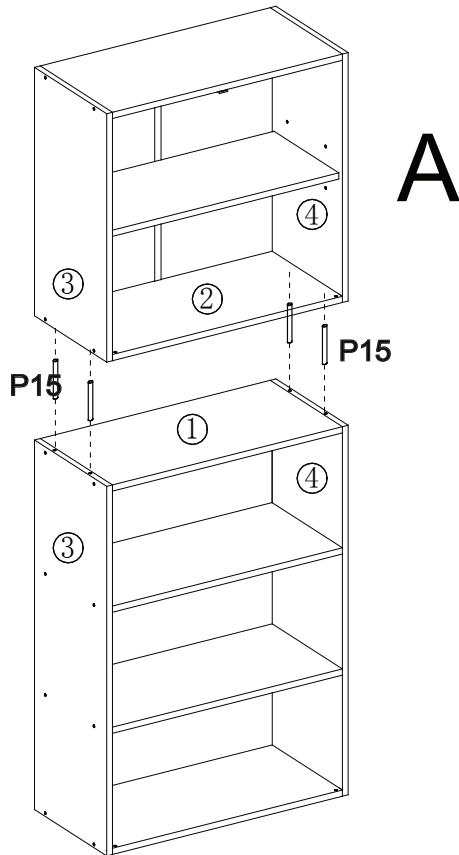
6



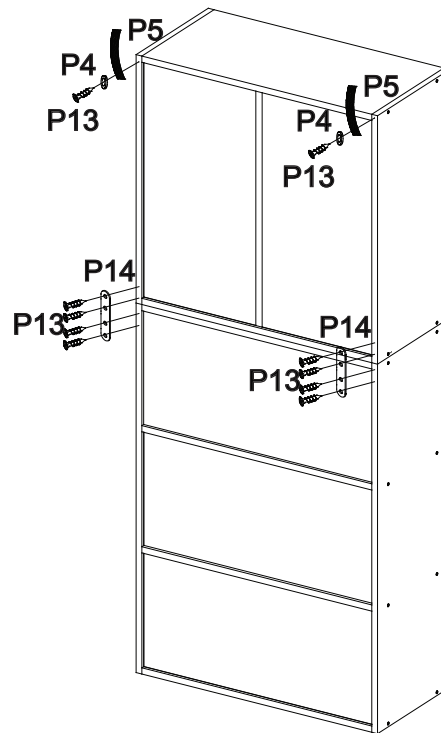


To connect STAKKD 2 Tier A: TOP UNIT to STAKKD 3 Tier, See instructions below.

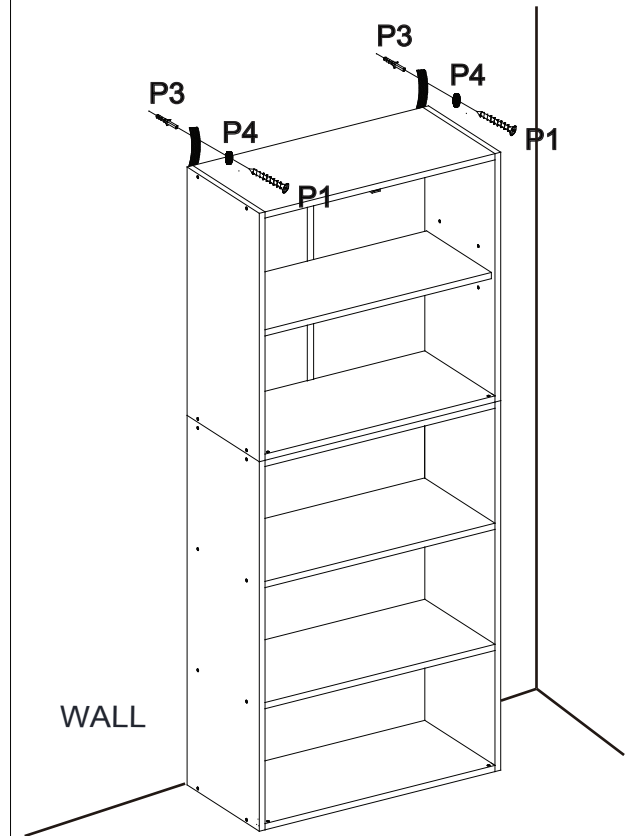
**6** CAUTION: When attaching units together please be careful that the shelf does not slip and fall out.

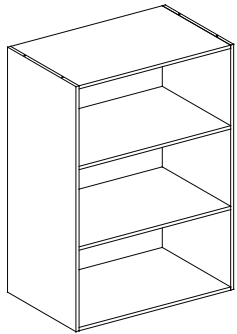


**7**

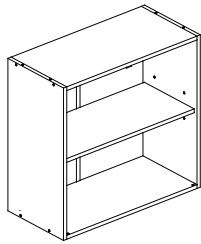


**8**





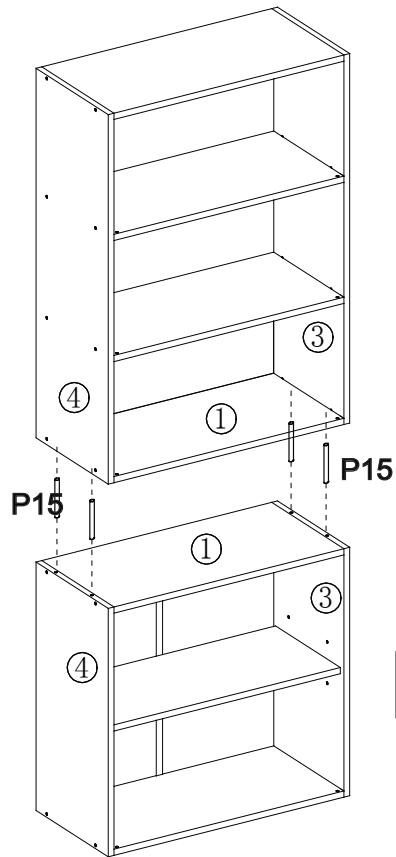
+



**B**

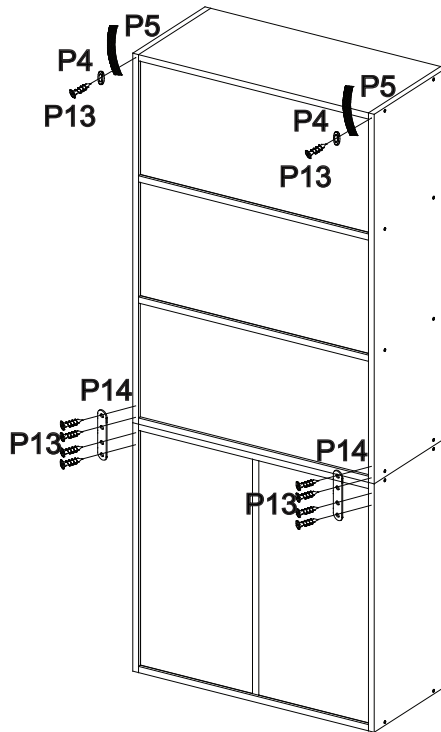
To connect STAKKD 3 Tier to STAKKD 2 Tier B:  
BOTTOM UNIT, See instructions below.

**6** CAUTION: When attaching units together please be careful that the shelf does not slip and fall out.



**B**

**7**



**8**

