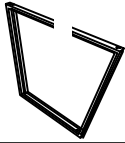


ASSEMBLING INSTRUCTION

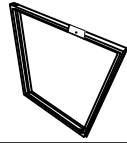
1 X1PC



2 X1PCS



3 X1PC



4 X4PCS



5 X1PC



A X4PCS



B X8PCS



C X4PCS



D X4PCS



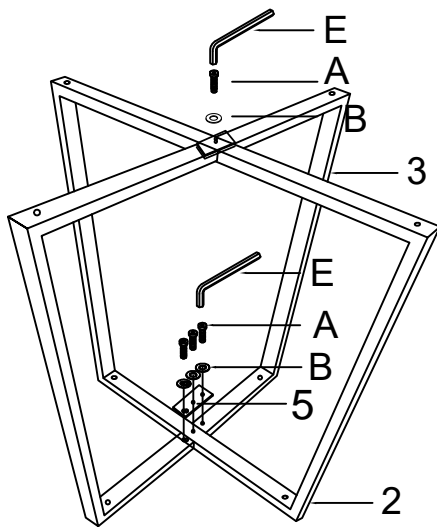
E X1PC



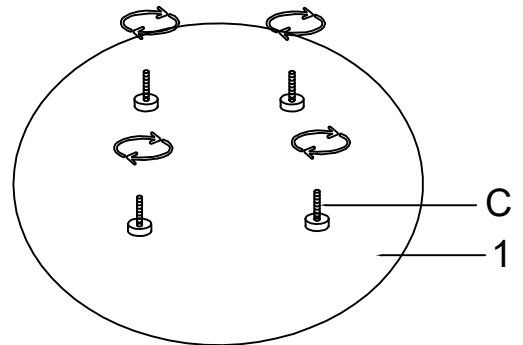
F X1PC



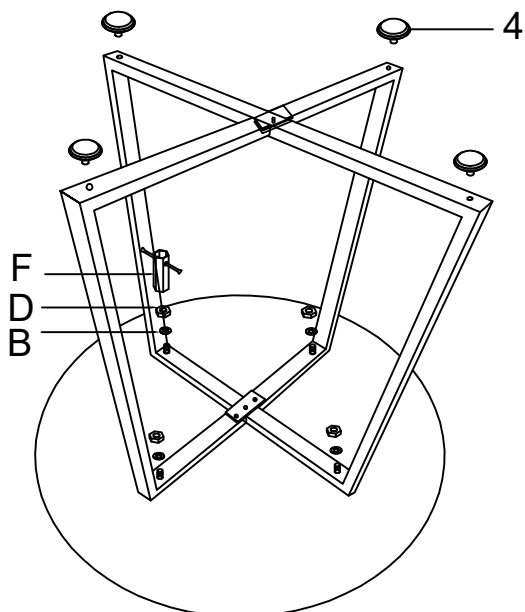
1



2



3



4

