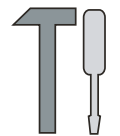
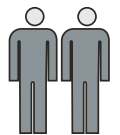
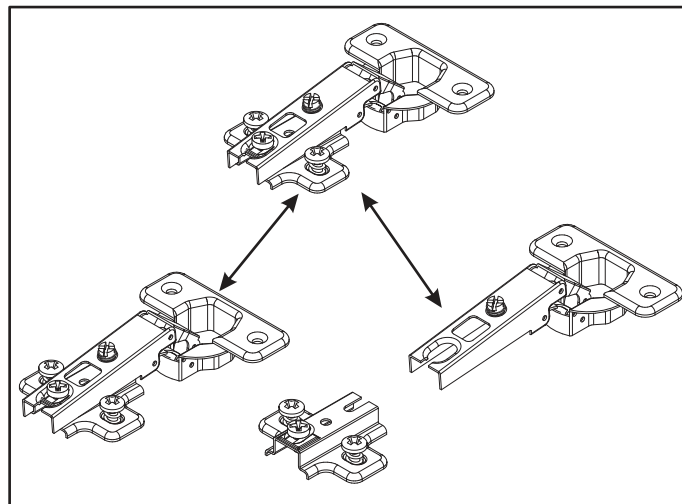
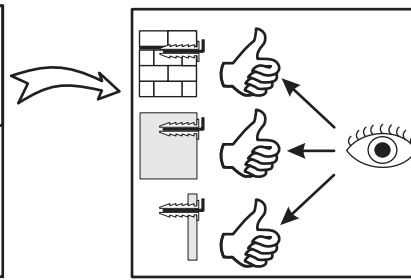
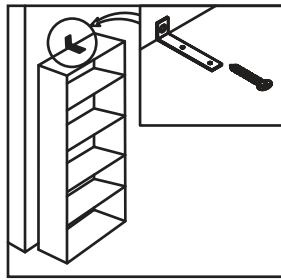
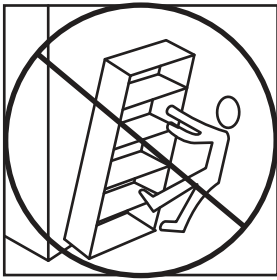
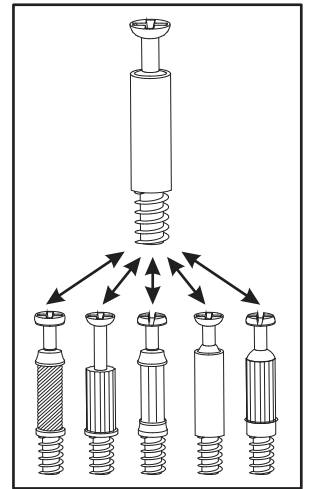
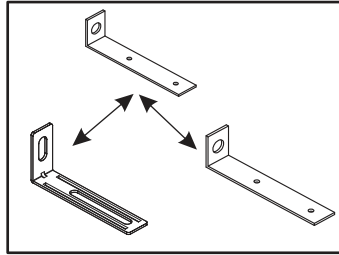
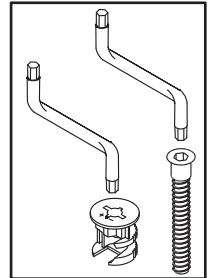
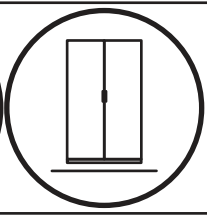
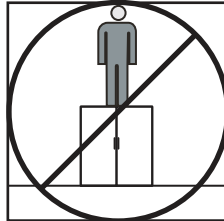
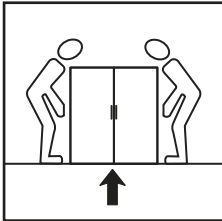
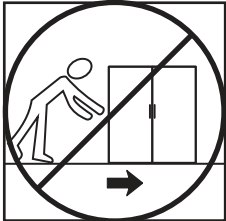
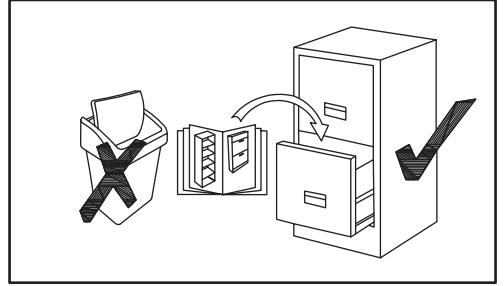
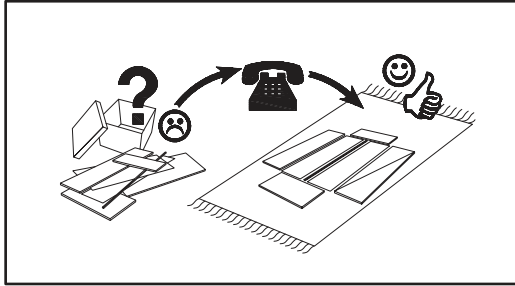
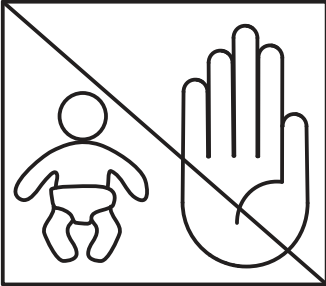
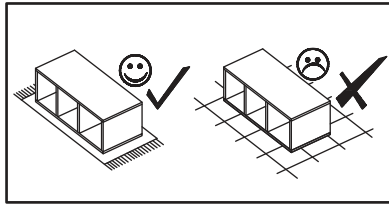
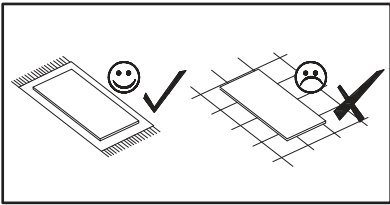


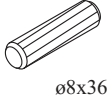
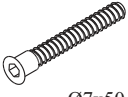




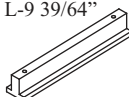

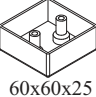
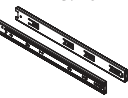



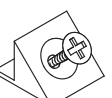

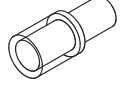
NO	Dim		Col.-No	Qty
1	527	400	16	1
2	527	400	16	1
3	640	400	16	1
4	606	347	16	1
5	606	60	16	1
6	600	248	16	2
7	300	120	16	2
8	300	120	16	2
9	549	100	16	2
10	561	304	3	2
11	493	309	3	2

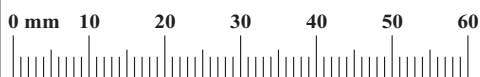
NO	Inch			Col.-No	Qty
1	20 3/4	15 3/4	5/8	1	1
2	20 3/4	15 3/4	5/8	1	1
3	25 13/64	15 3/4	5/8	1	1
4	23 55/64	13 21/32	5/8	1	1
5	23 55/64	22 3/64	5/8	1	1
6	23 5/8	9 49/64	5/8	1	2
7	11 13/16	4 23/32	5/8	1	2
8	11 13/16	4 23/32	5/8	1	2
9	21 39/64	3 15/16	5/8	1	2
10	22 3/32	11 31/32	1/8	1	2
11	19 13/32	12 11/64	1/8	1	2



90 min



A1 x12	Ø5/16"x1 27/64"  ø8x36	B11 x10	Ø9/32"x1 31/32"  Ø7x50	G4 x10		B4 x14	Ø15/64"x1 19/64"  Ø6x33	B5 x14	Ø19/32"x15/32"  Ø15x12	G5 x14	
T03 x2	L-9 39/64"  L-244mm	D20 x8	ESØ15/64"x3/8"  ESØ6x9,5	ST21 x4	2 23/64"x 2 23/64"x63/64"  60x60x25	H8 x2	L- 11 13/16"  L-300mm.	D6 x12	USØ9/64"x1 3/16"  USØ3,5x30	D10 x8	USØ9/64"x33/64"  USØ3,5x13
UP13 x10	USØ1/8"x5/8"  UPØ3x16	S1 x8		G2 x1		G20 X2					



1

A1	Ø5/16"x1 27/64"
x2	ø8x36

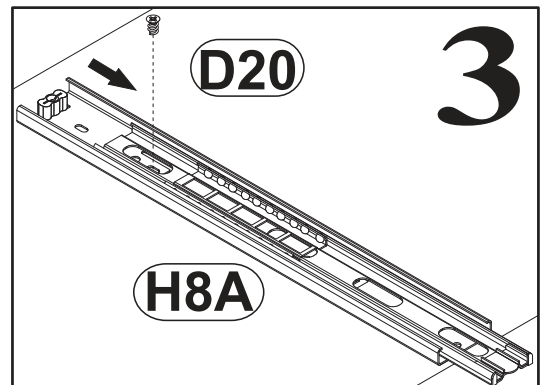
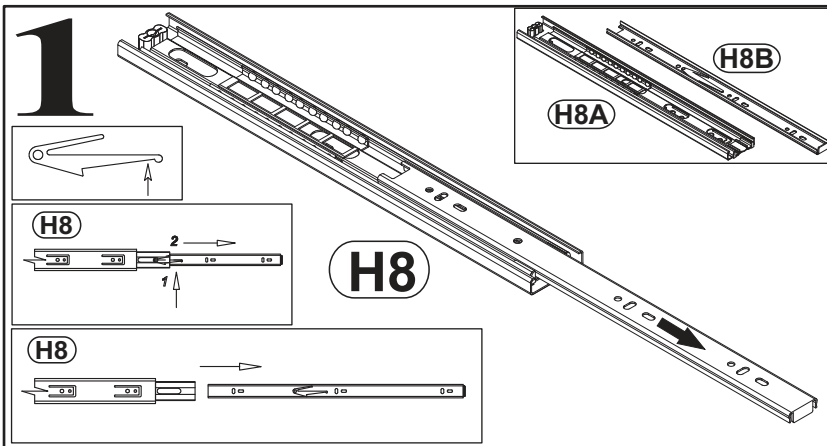
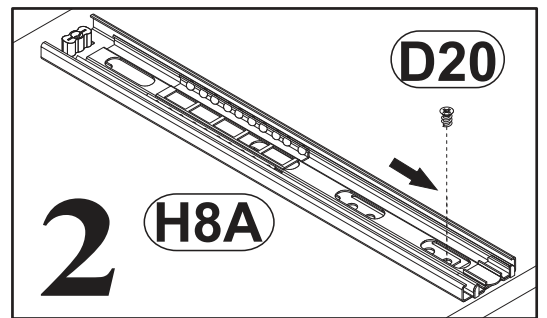
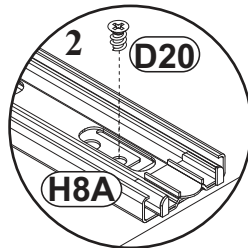
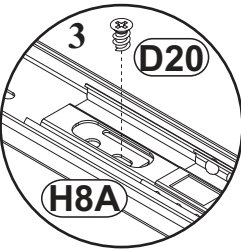
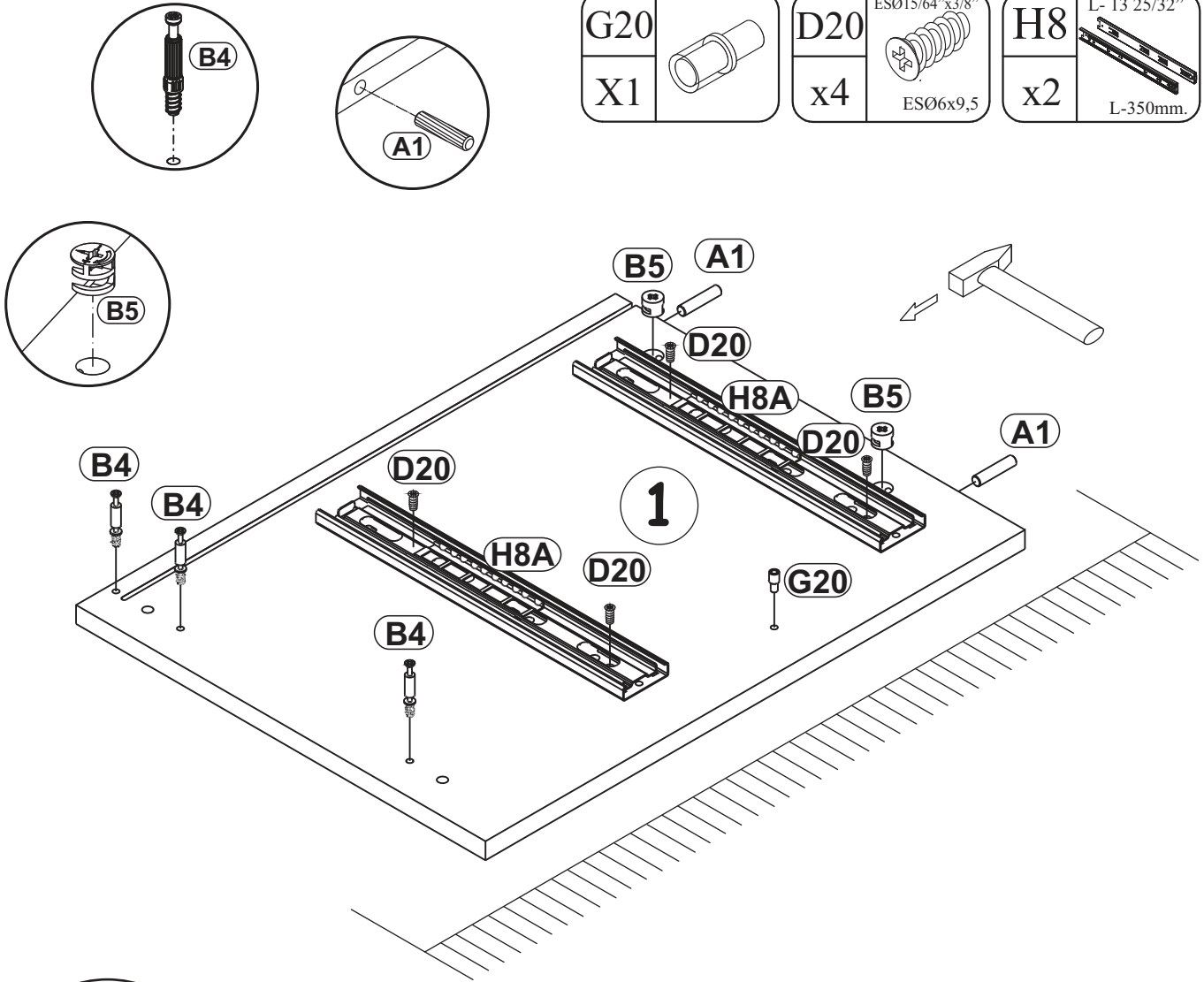
B5	ø19/32"x15/32"
x2	Ø15x12

B4	Ø15/64"x1 19/64"
x3	Ø6x33

G20	
X1	

D20	ESØ15/64"x3/8"
x4	ESØ6x9,5

H8	L- 13 25/32"
x2	L-350mm.



A1	Ø5/16"x1 27/64"
x2	ø8x36

B5	Ø19/32"x15/32"
x2	Ø15x12

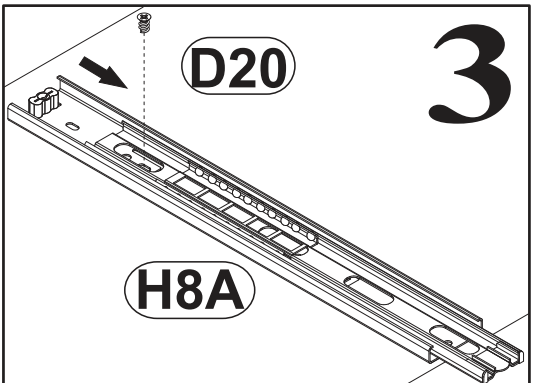
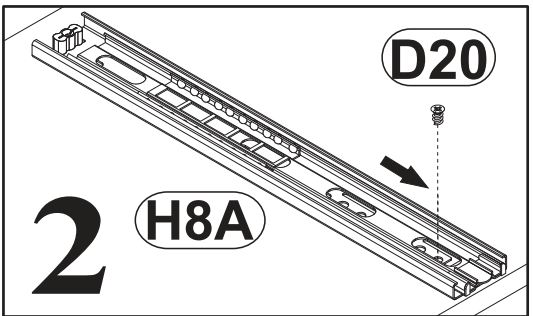
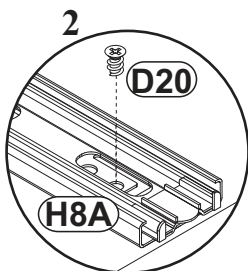
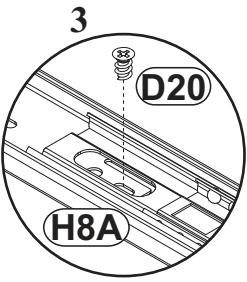
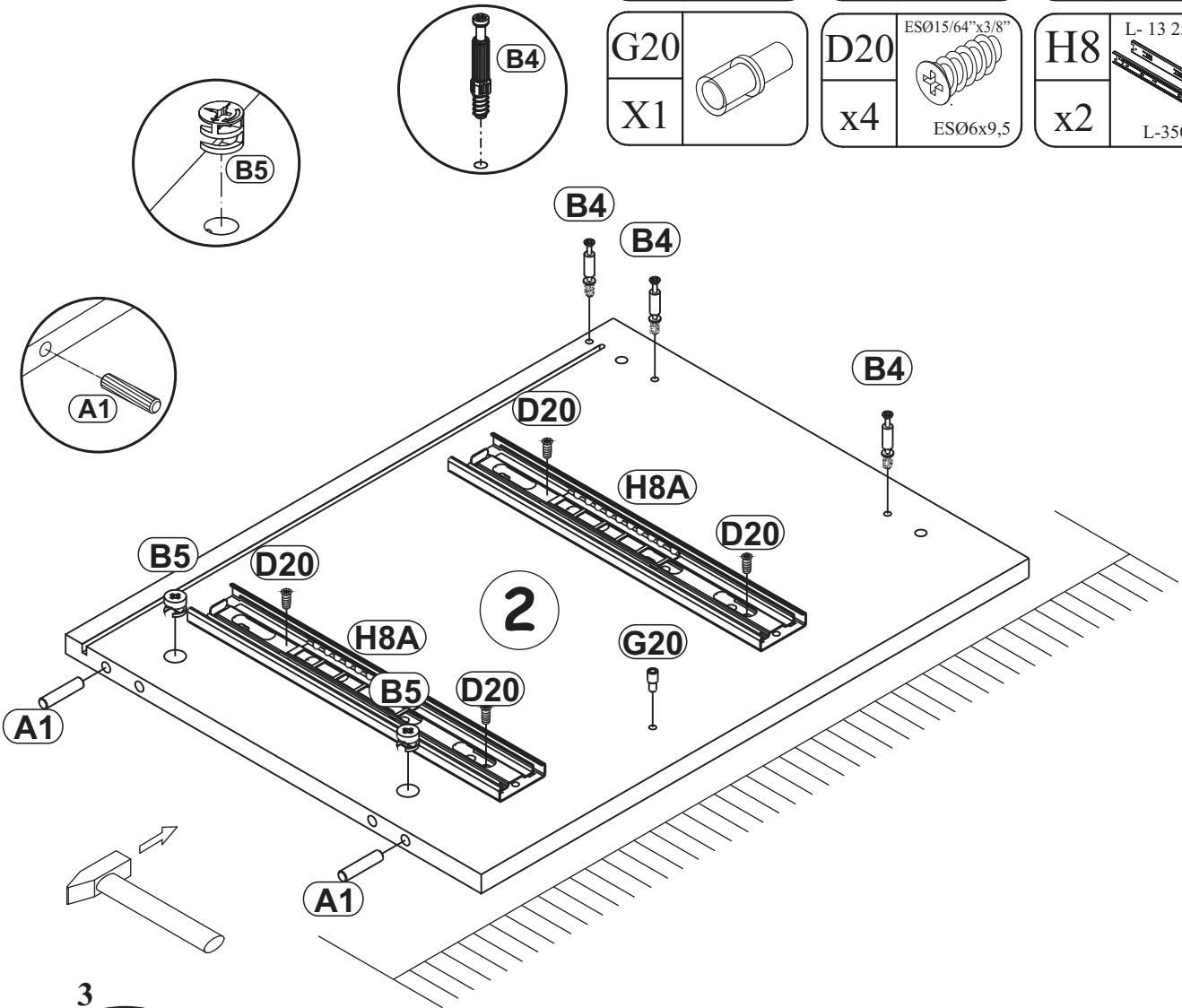
B4	Ø15/64"x1 19/64"
x3	Ø6x33

G20	
X1	

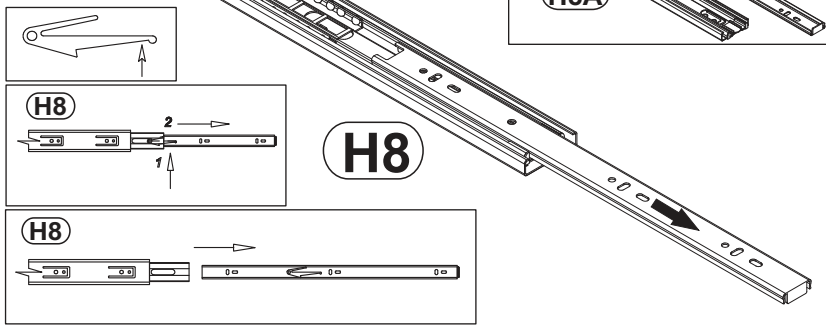
D20	ESØ15/64"x3/8"
x4	ESØ6x9,5

H8	L- 13 25/32"
x2	L-350mm.

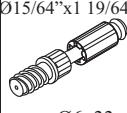
2

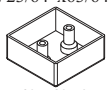



1



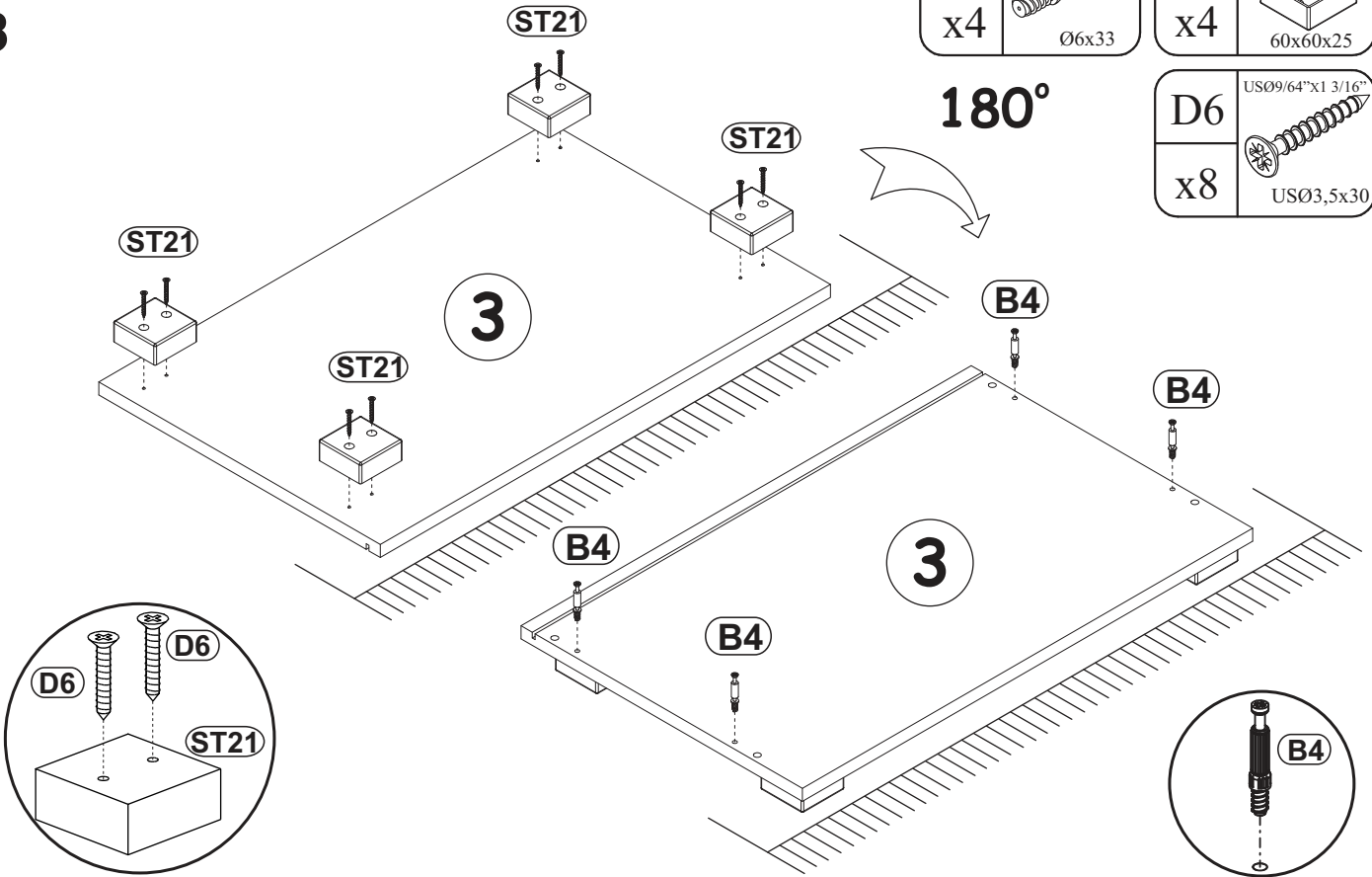
3

B4	Ø15/64"x1 19/64"
x4	 Ø6x33

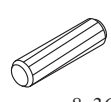
ST21	2 23/64"x 2 23/64"x63/64"
x4	 60x60x25


D6	USØ9/64"x1 3/16"
x8	 USØ3,5x30

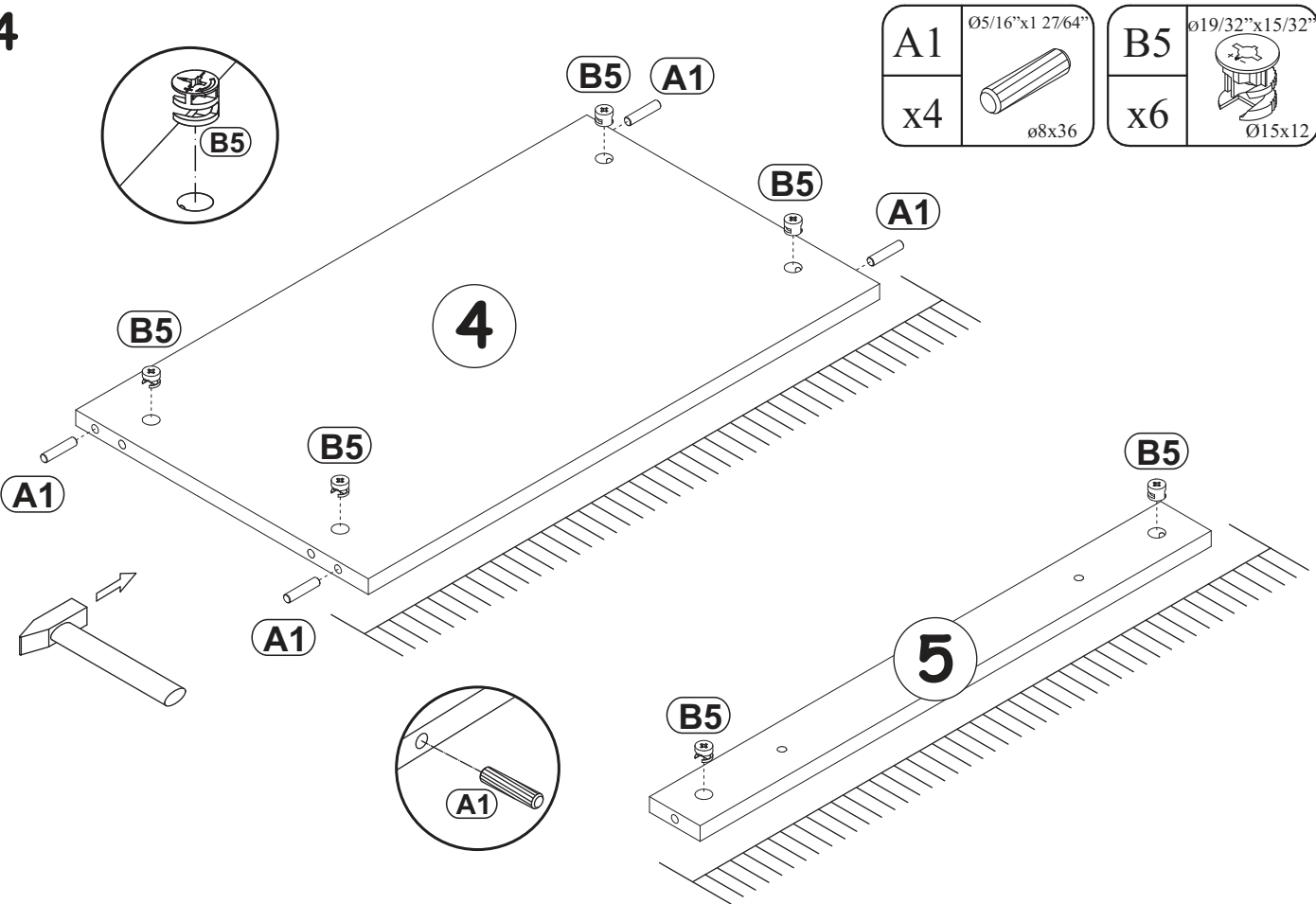
180°



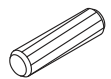
4


A1	Ø5/16"x1 27/64"
x4	 ø8x36

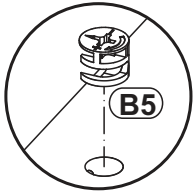
B5	Ø19/32"x15/32"
x6	 Ø15x12



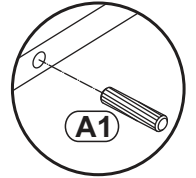
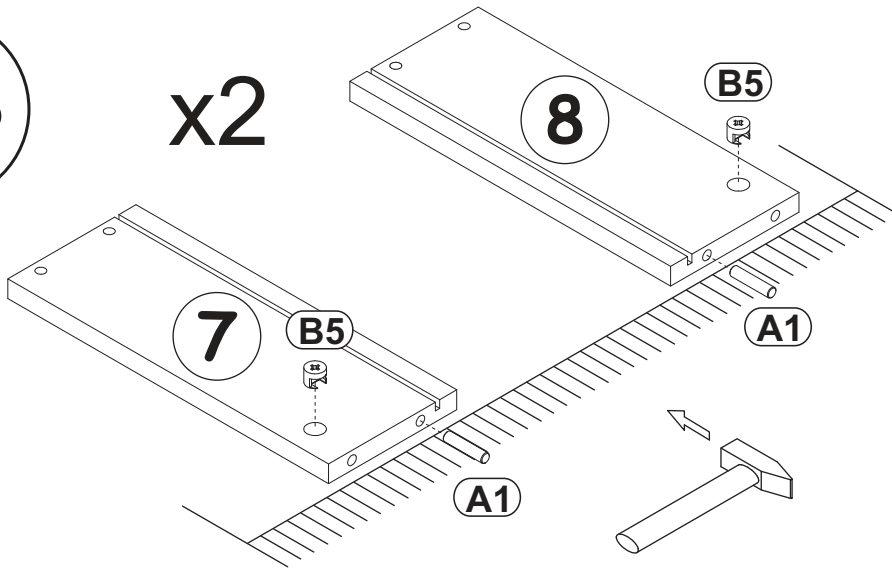
5

A1	Ø5/16"x1 27/64"
x4	 ø8x36

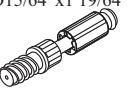
B5	Ø19/32"x15/32"
x4	 Ø15x12

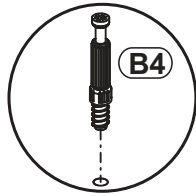


x2

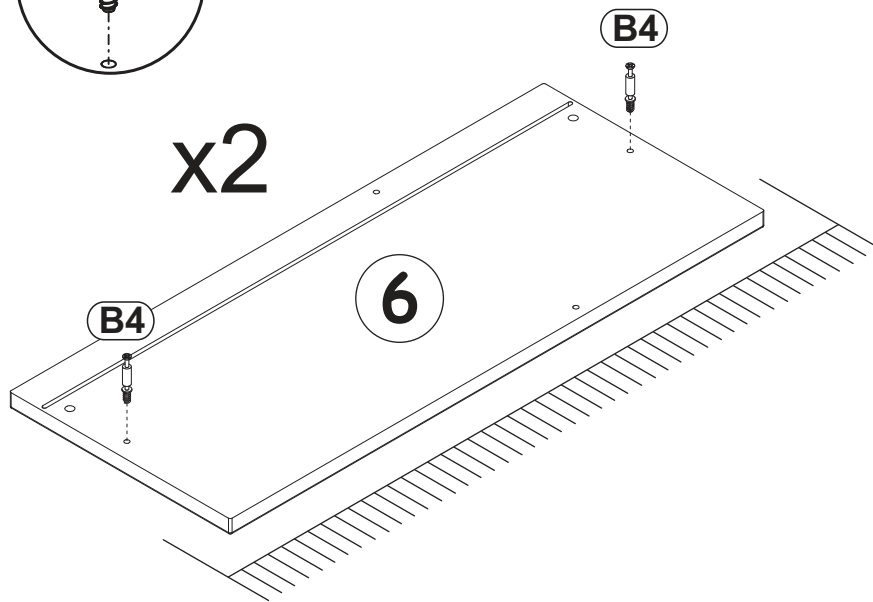


6


B4	Ø15/64"x1 19/64"
x4	 Ø6x33

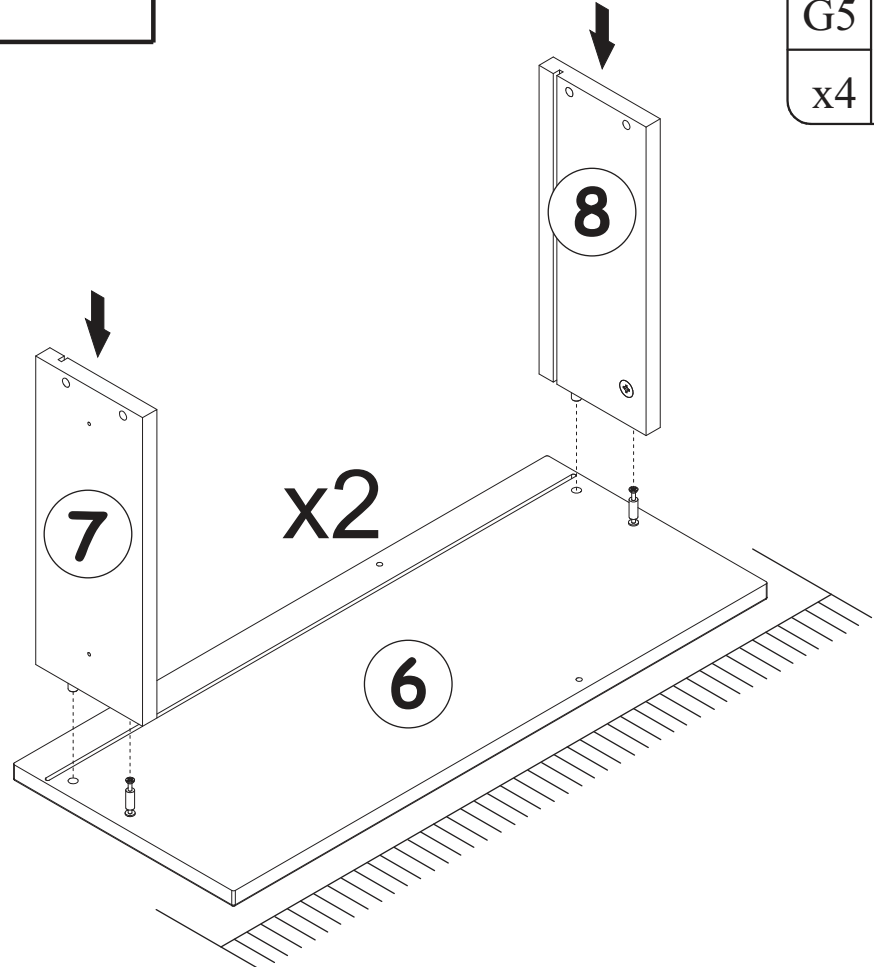
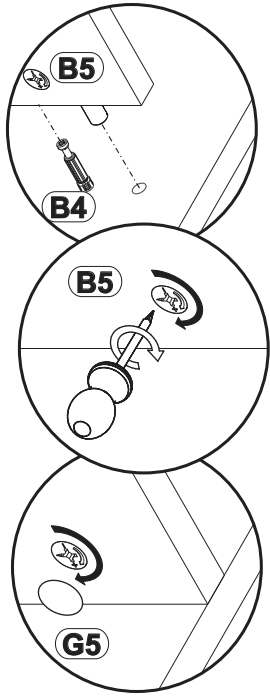


x2

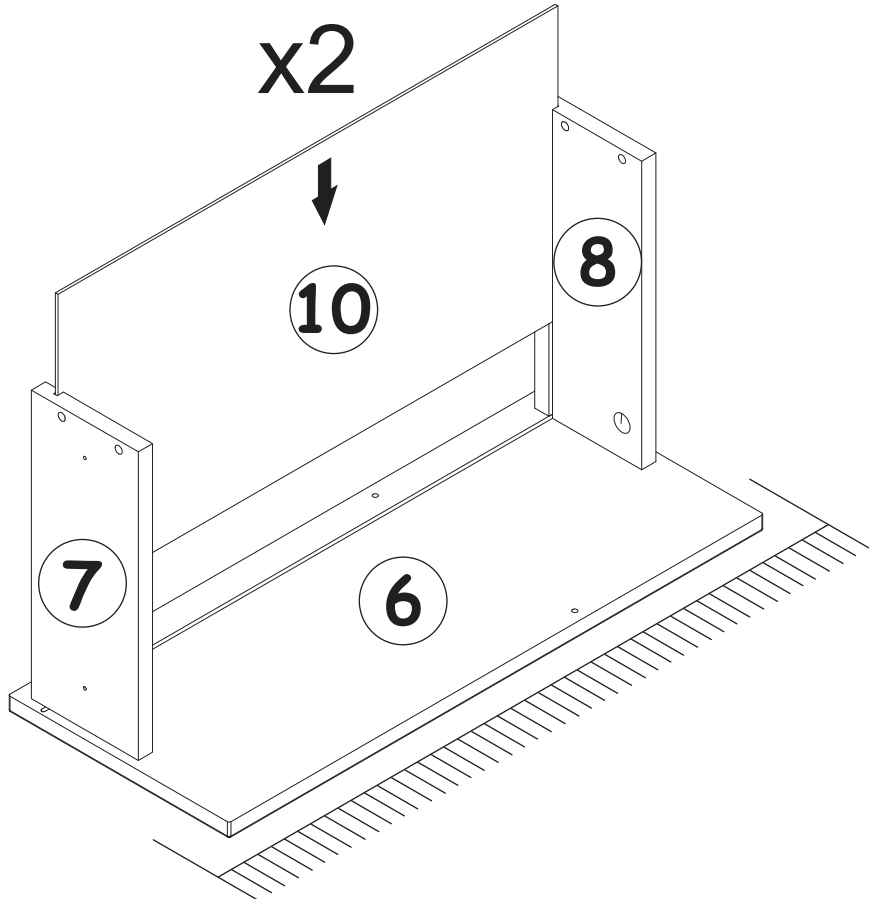


7


G5	
x4	

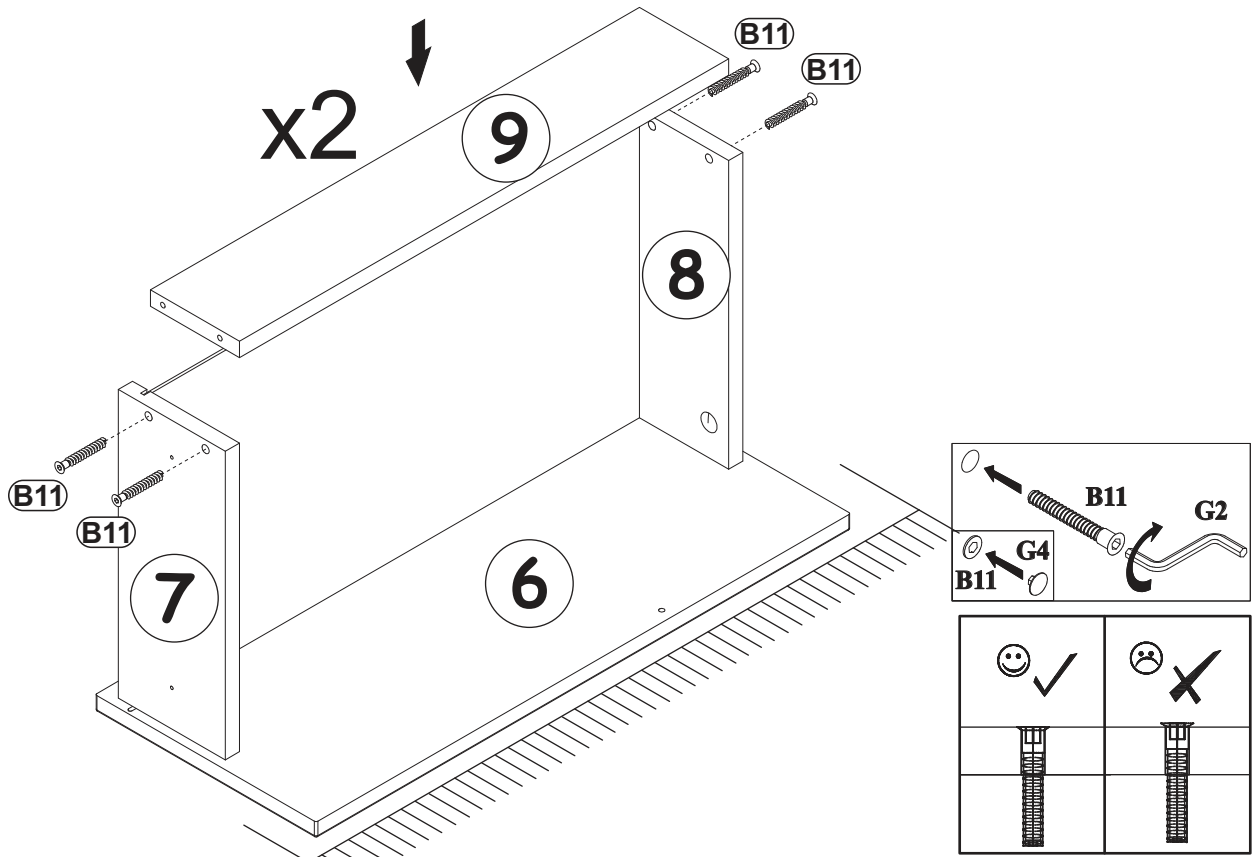


8

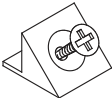


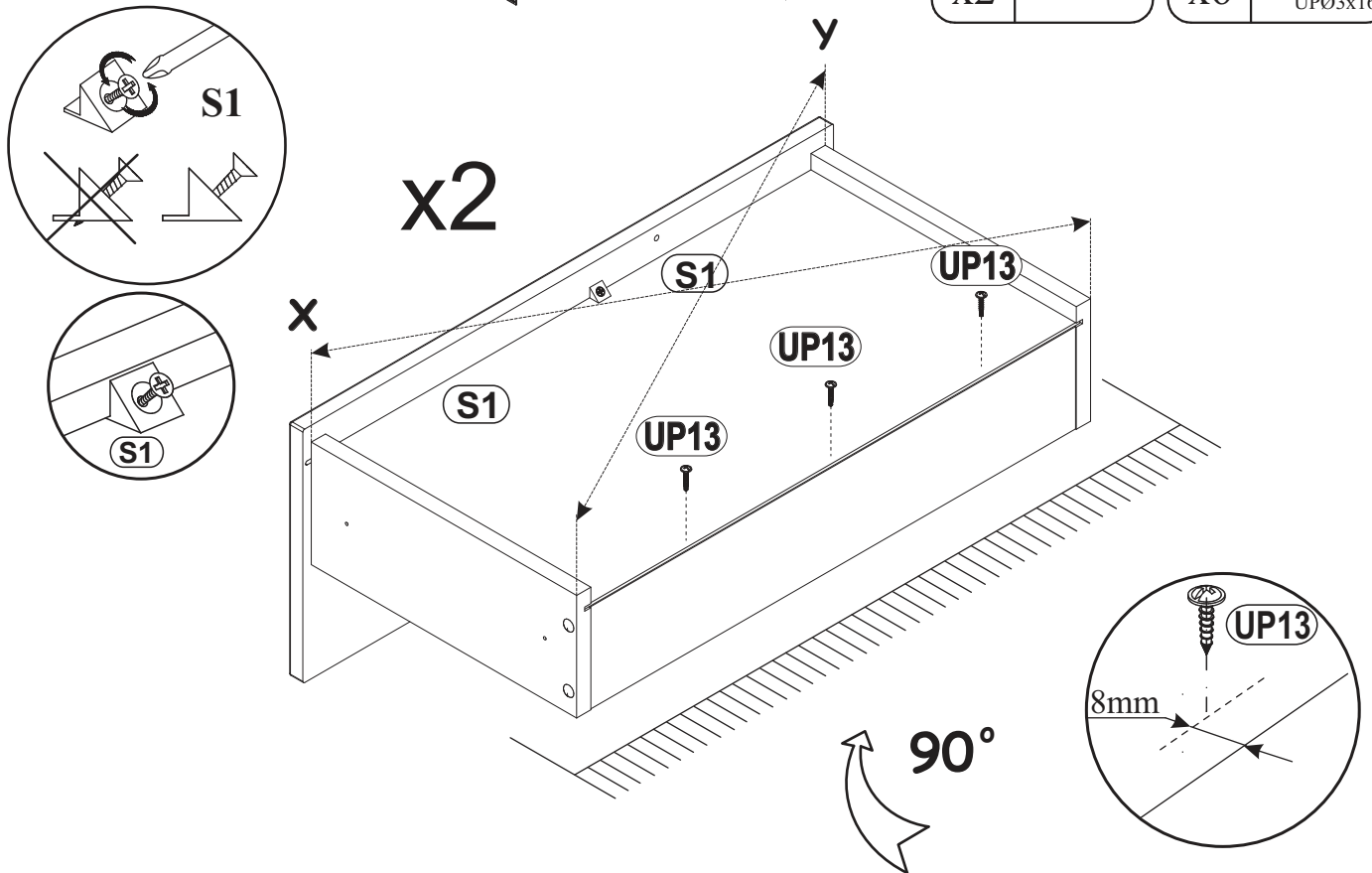
9

G4		B11	Ø9/32"x1 31/32"
x8		x8	Ø7x50

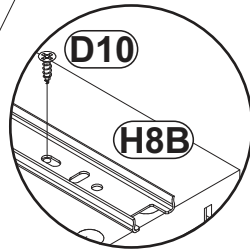
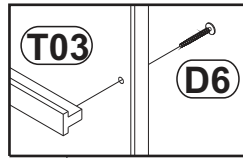
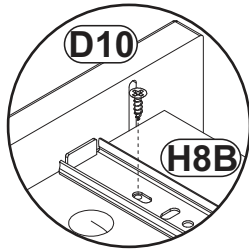
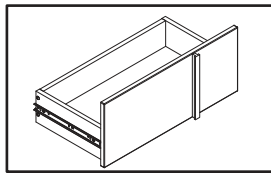


10

S1		UP13	USØ1/8"x5/8"
x2		x6	UPØ3x16



11

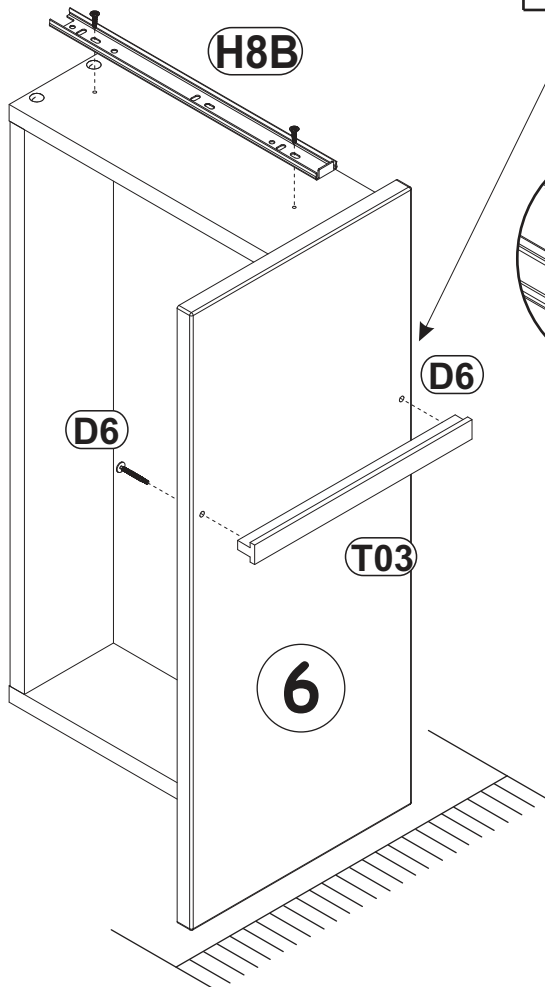


T03	L-9 39/64"
x2	L-244mm

D10	USØ9/64"x33/64"
x8	USØ3,5x13

H8	L- 13 25/32"
x2	L-350mm.

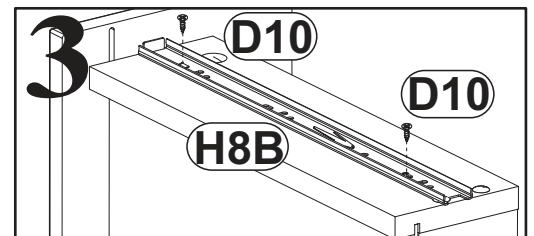
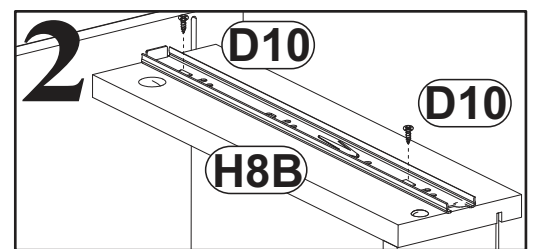
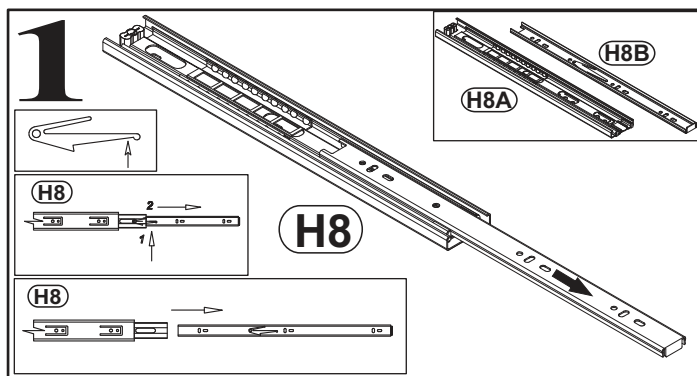
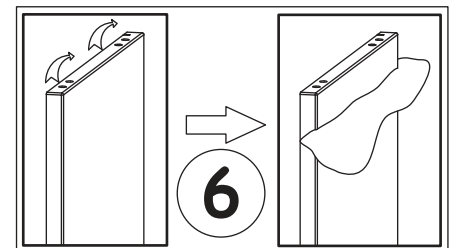
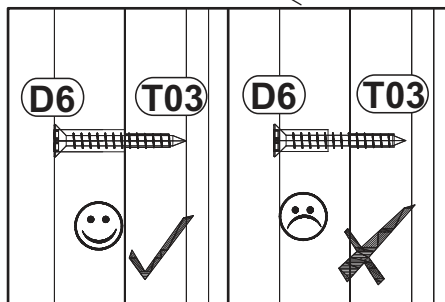
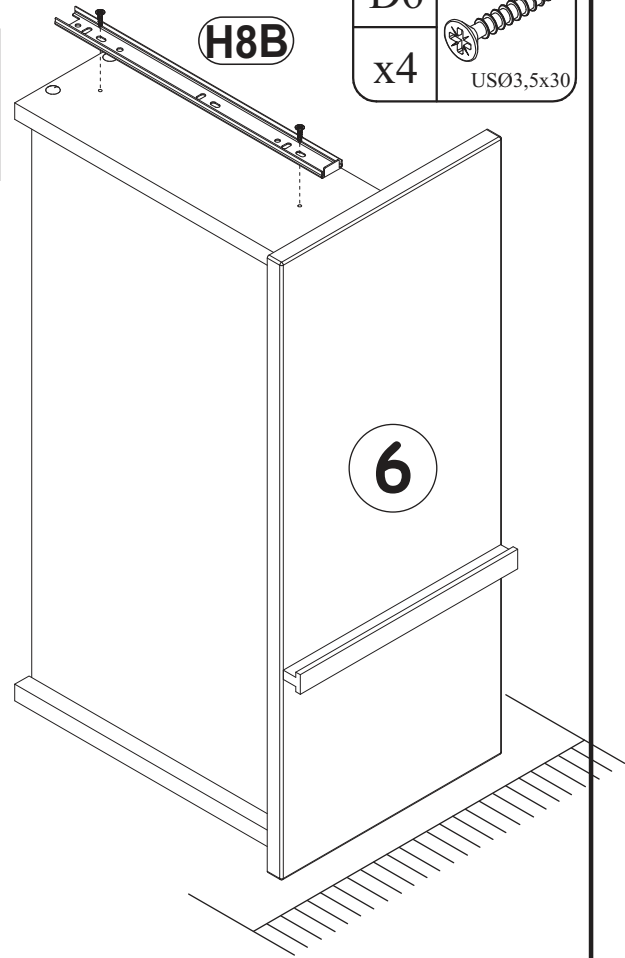
D6	USØ9/64"x1 3/16"
x4	USØ3,5x30




180°

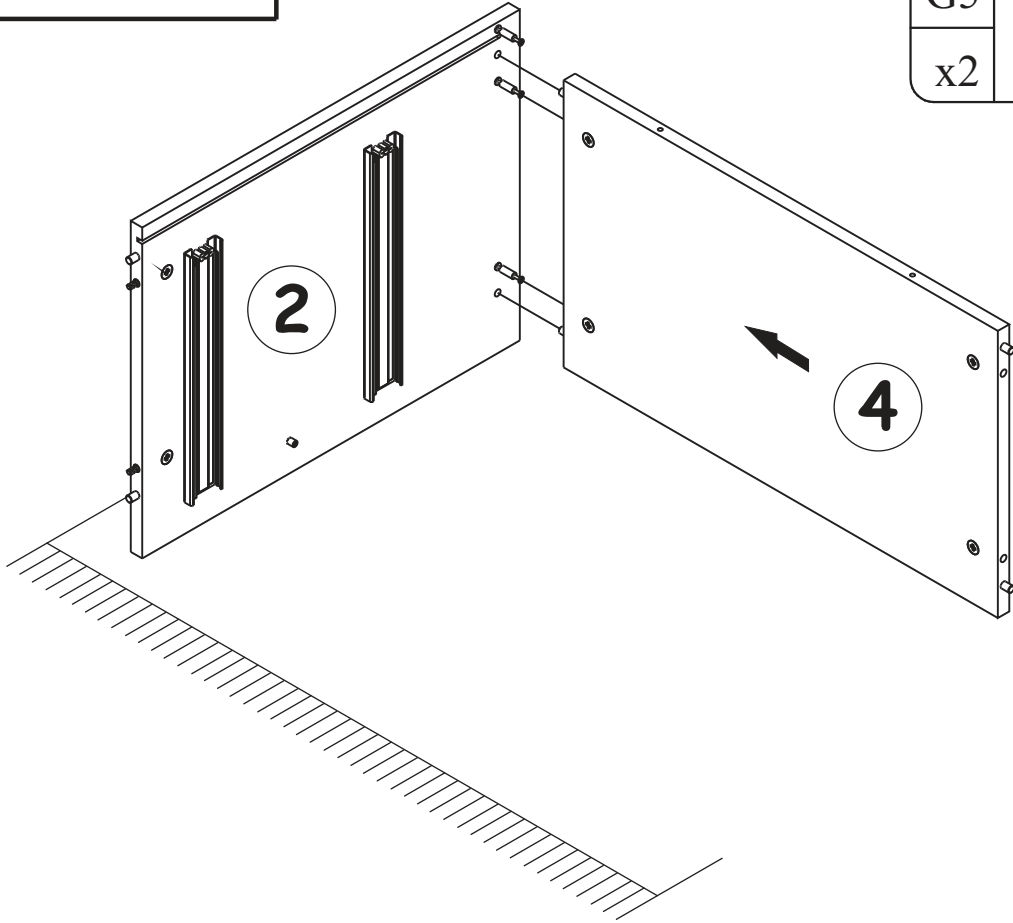
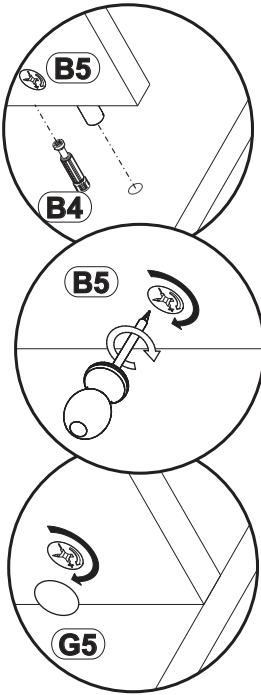


x2




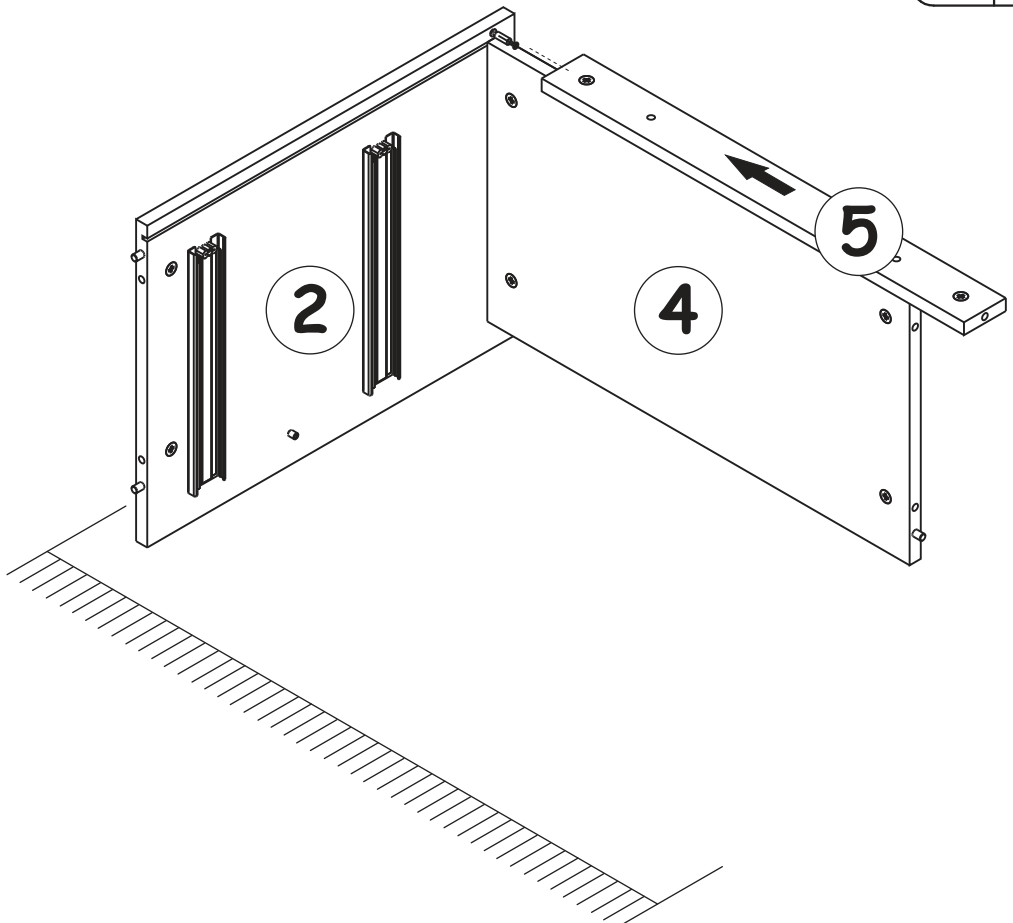
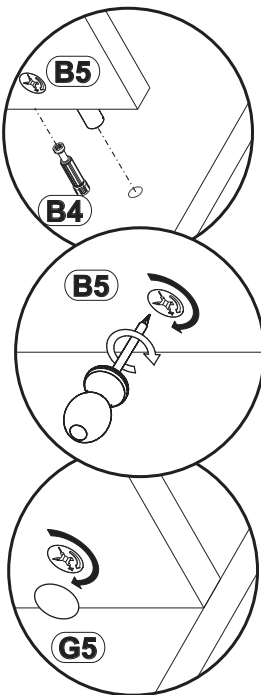
12

G5	
x2	

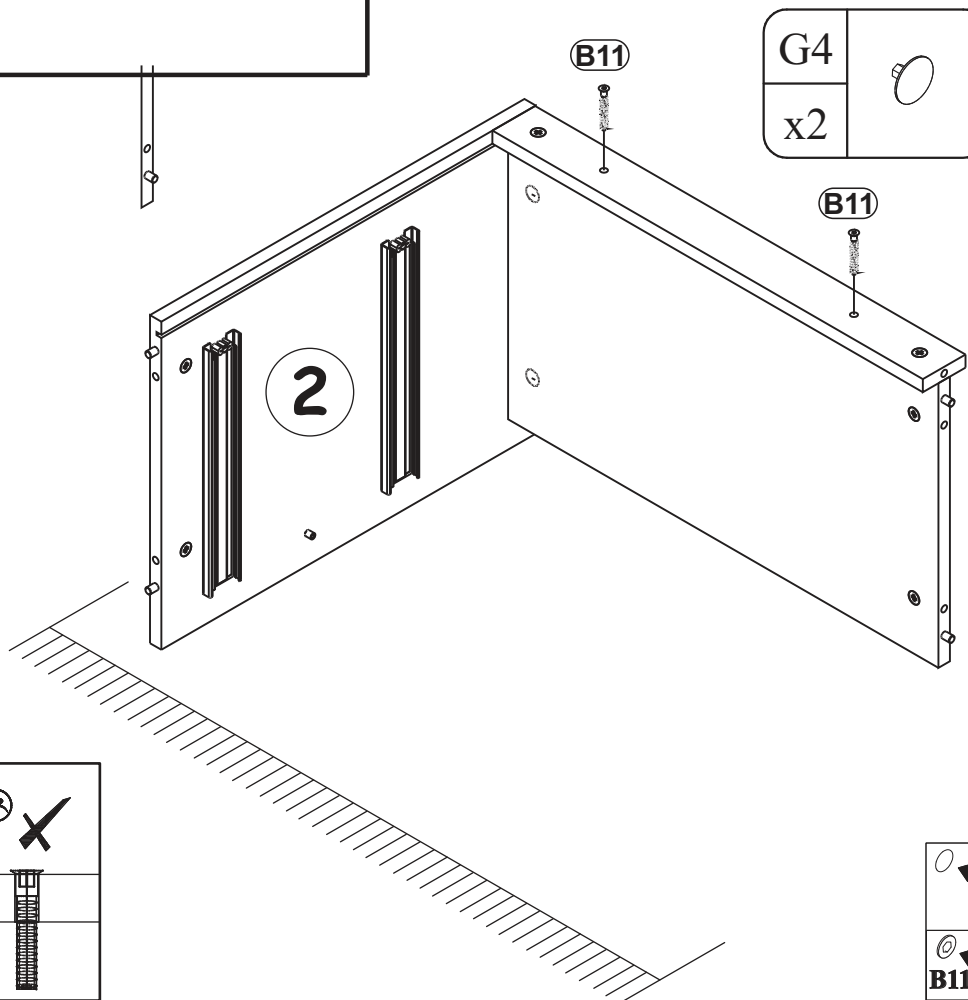


13

G5	
x1	

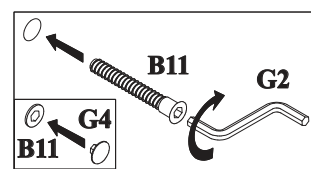
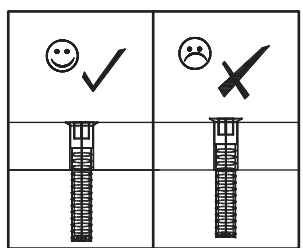


14

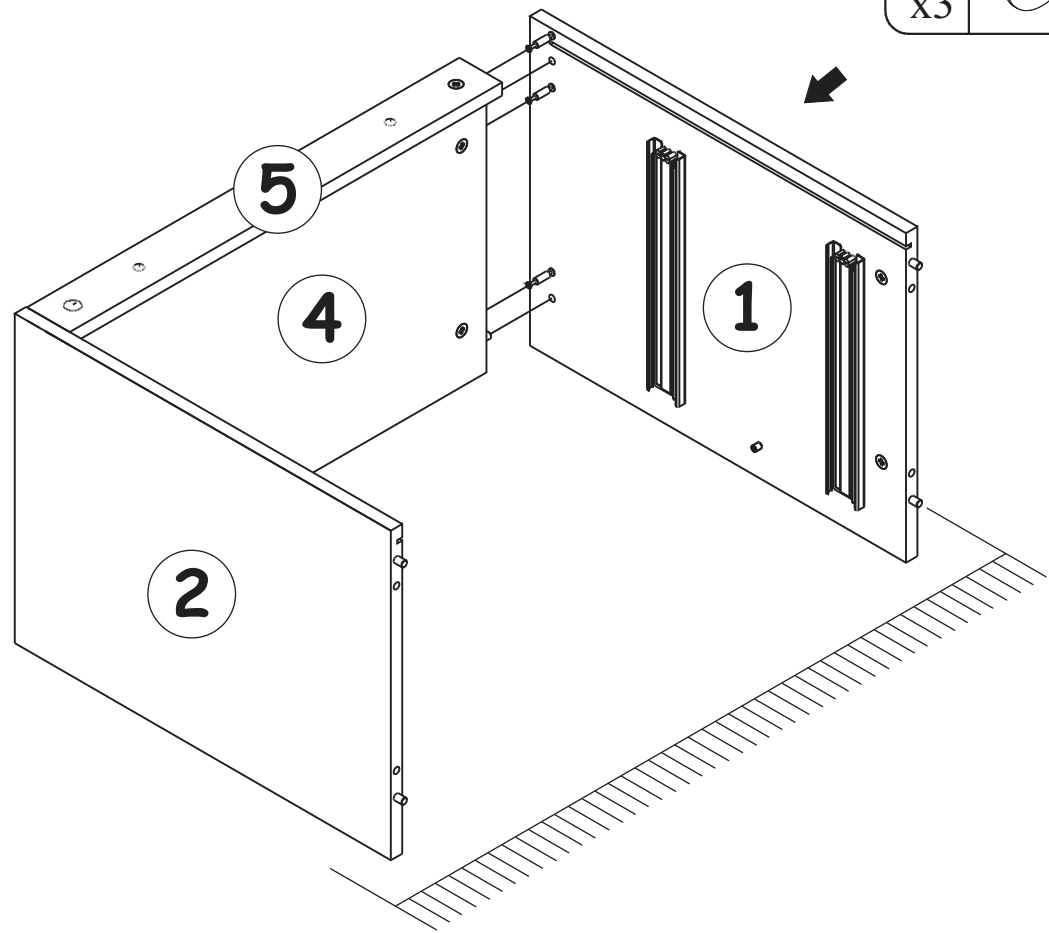


G4	
x2	

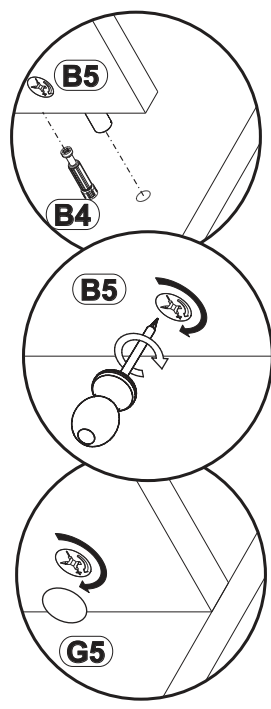
B11	
x2	$\text{Ø}9/32'' \times 1\ 31/32''$ $\text{Ø}7 \times 50$



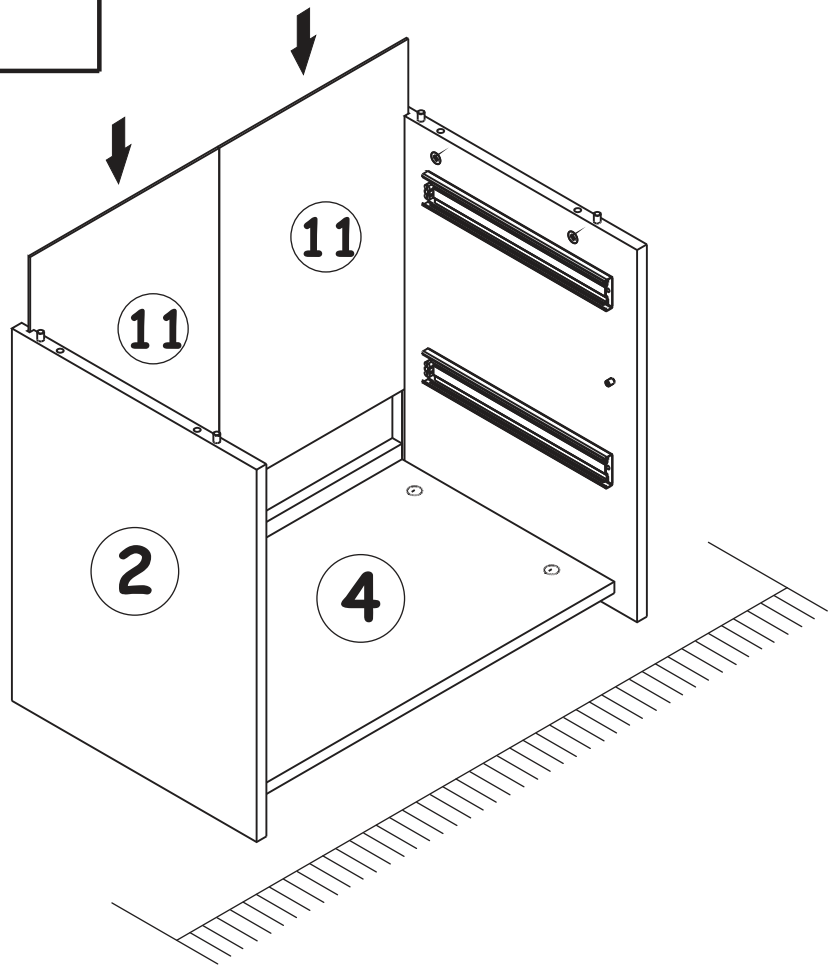
15



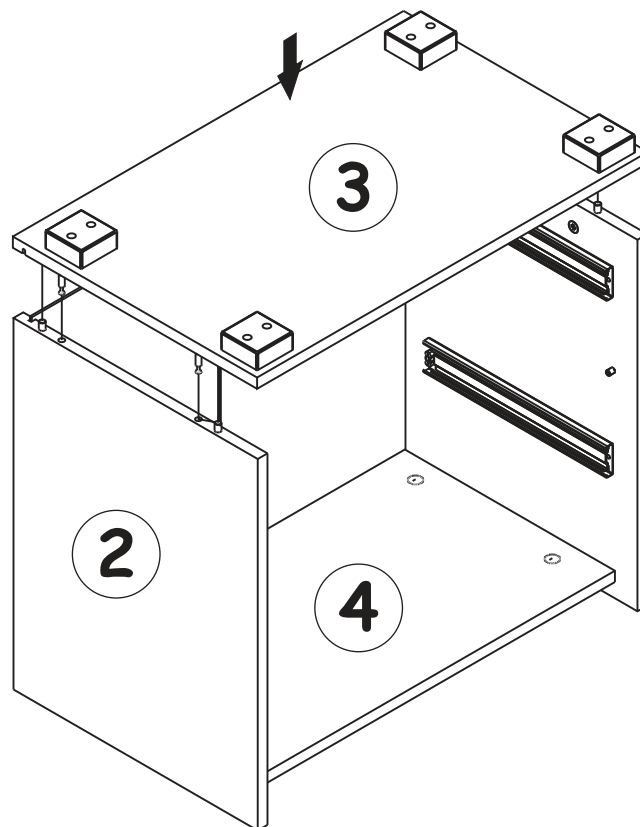
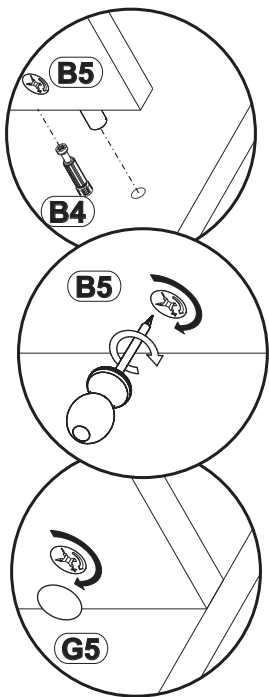
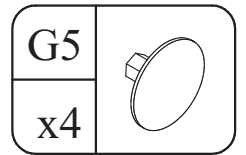
G5	
x3	

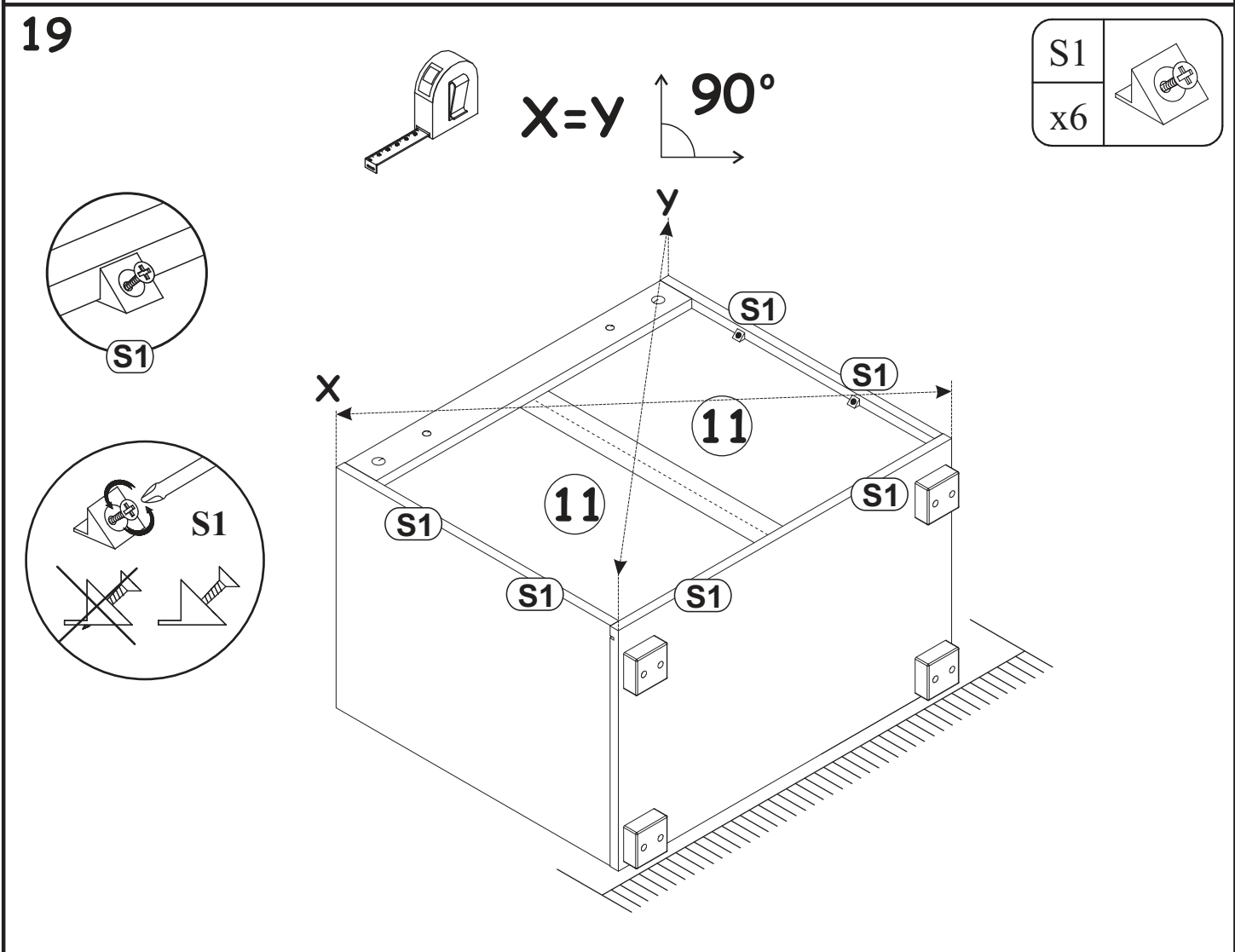
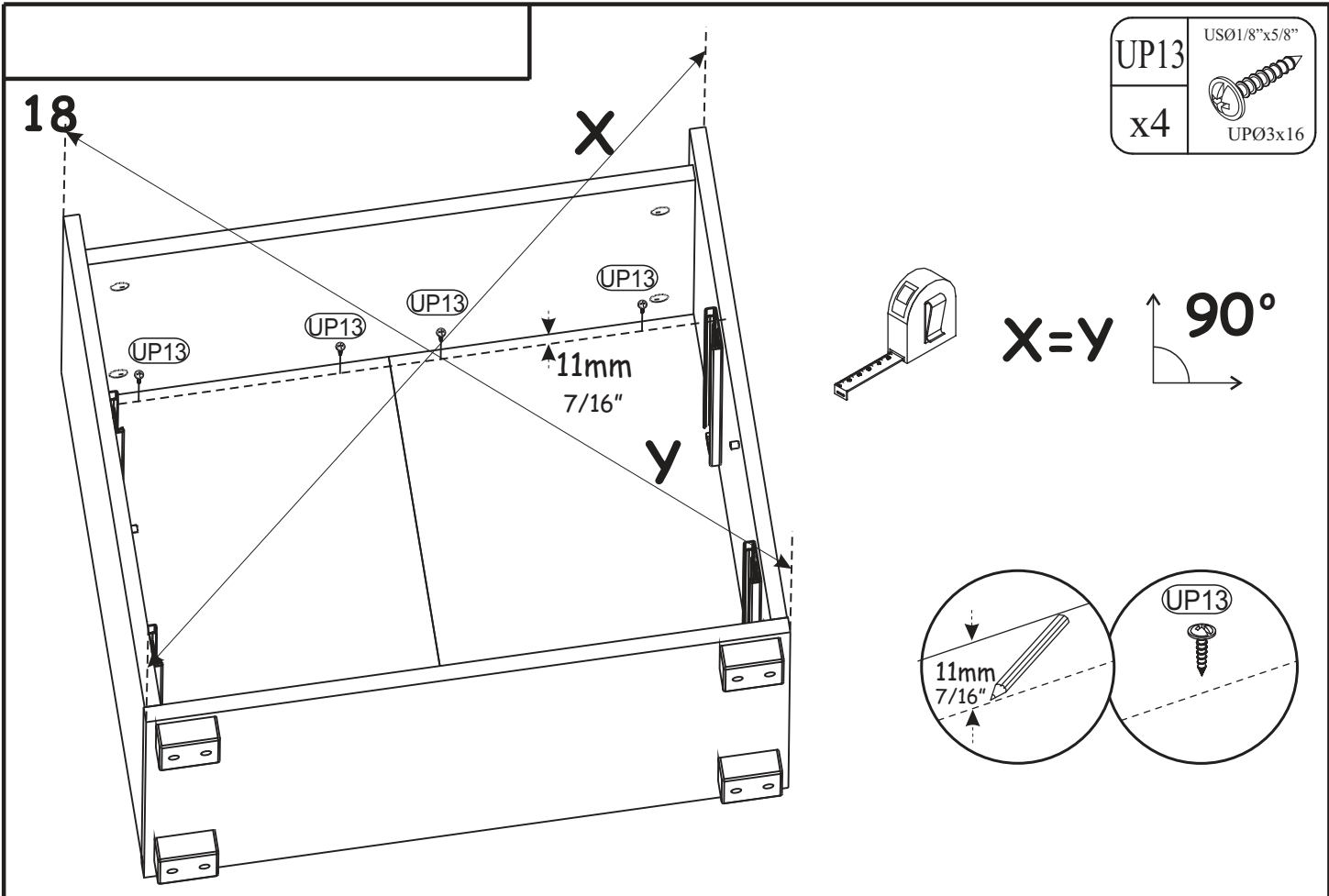


16



17





20

