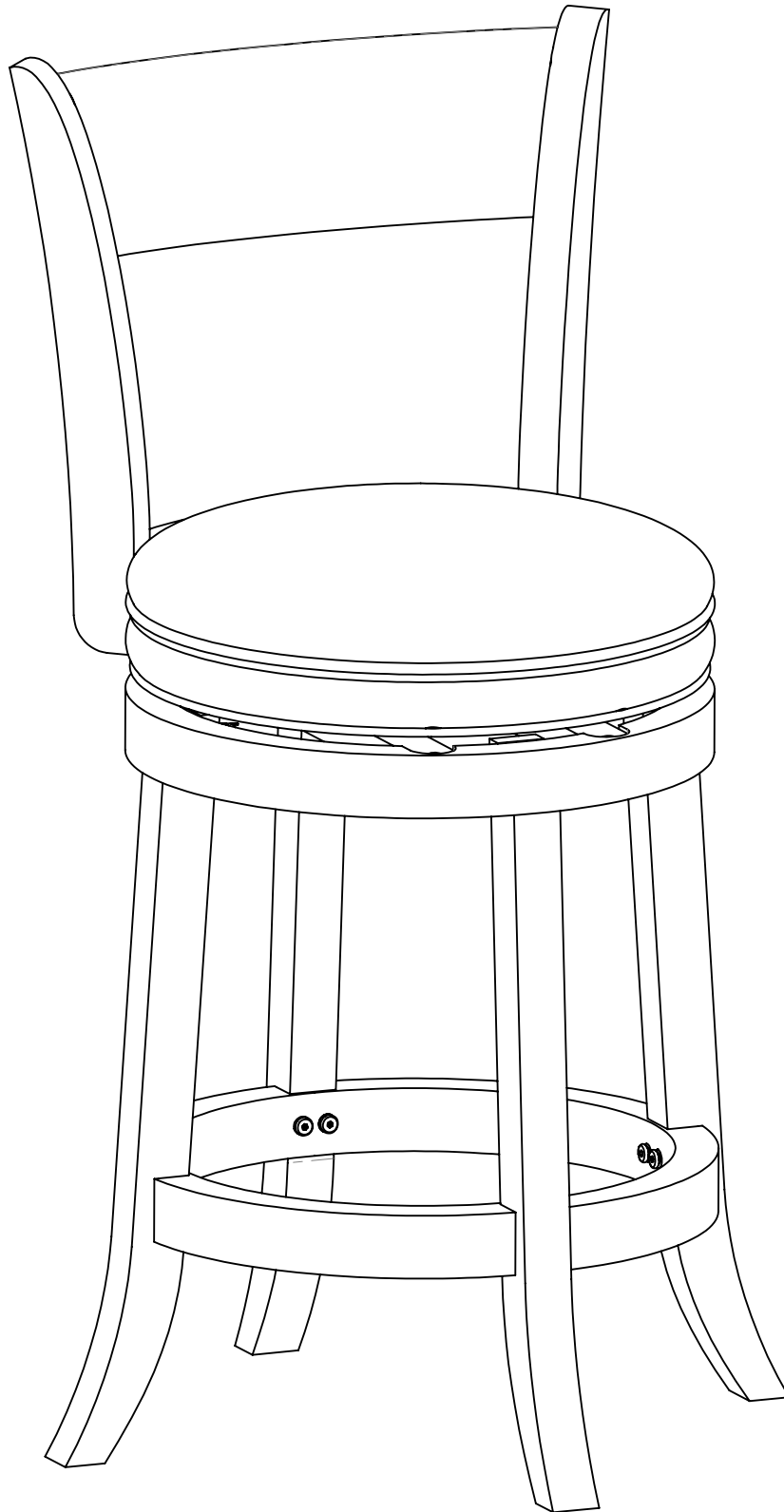
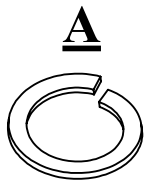


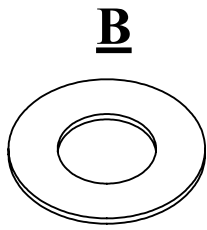
# SWIVEL STOOL

## ASSEMBLY INSTRUCTIONS

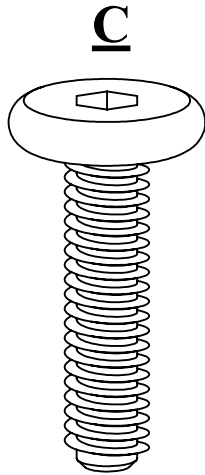




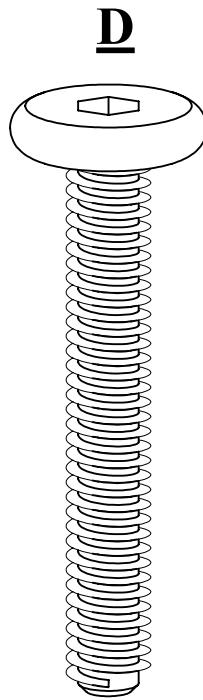
22 PCS



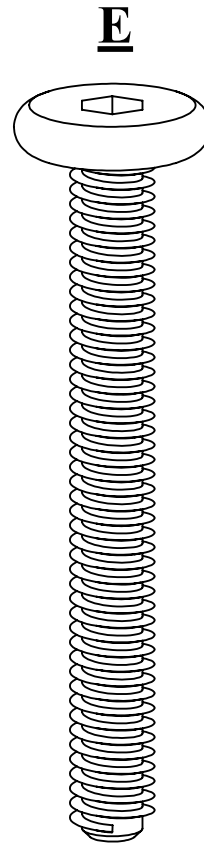
26 PCS



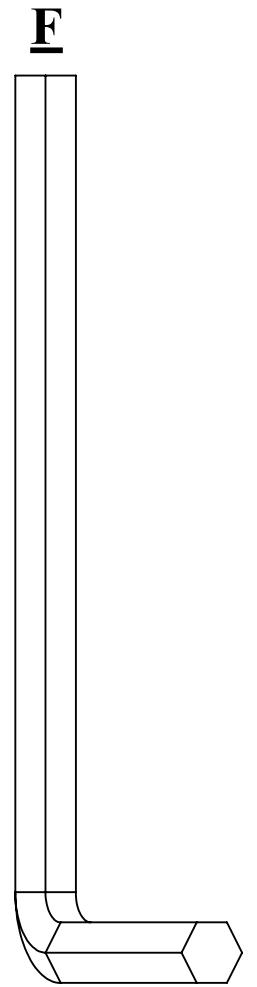
4 PCS



16 PCS

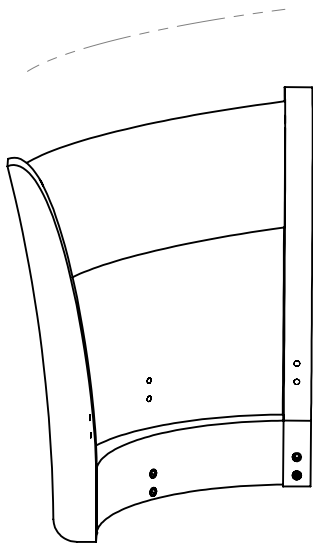


6 PCS

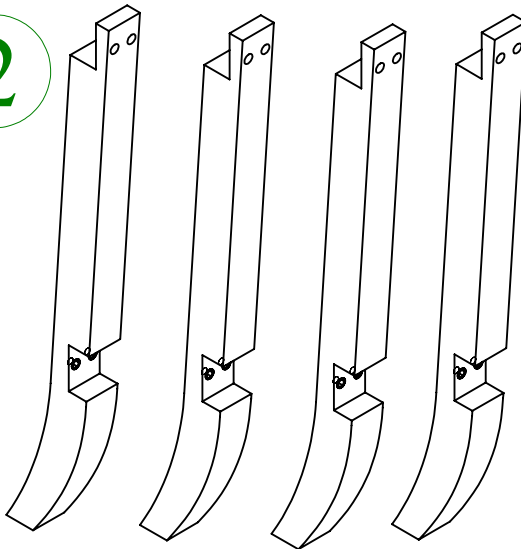


1 PC

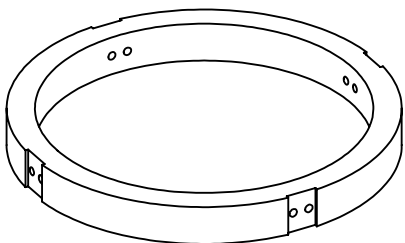
1



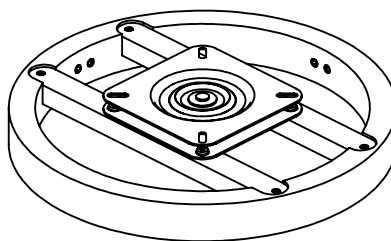
2



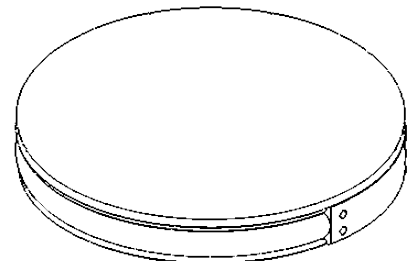
3



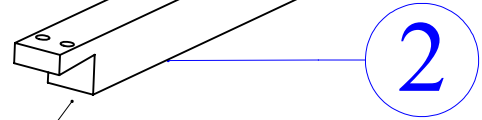
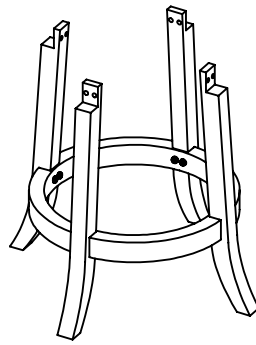
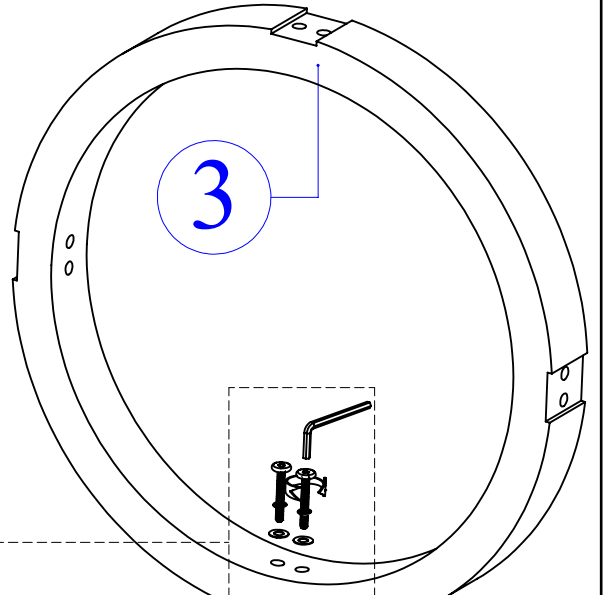
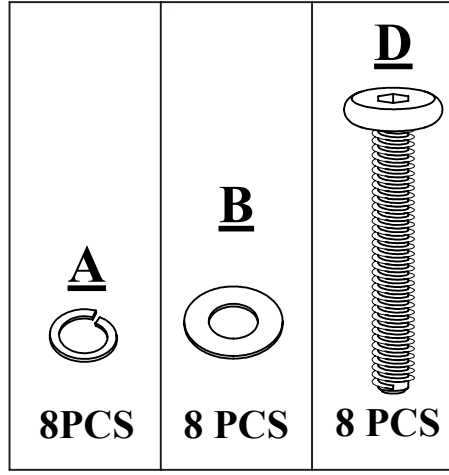
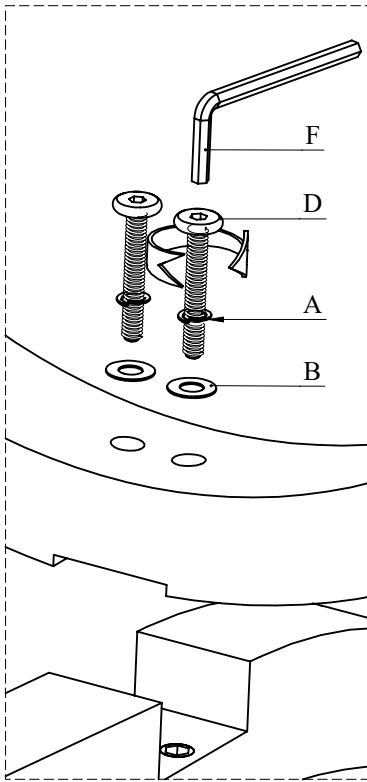
4



5

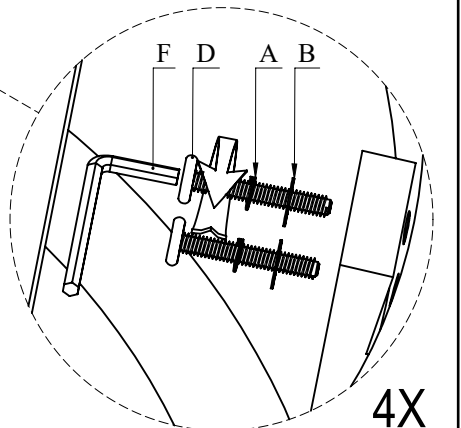
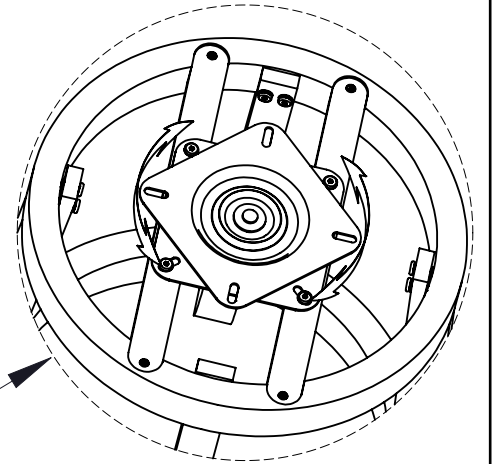
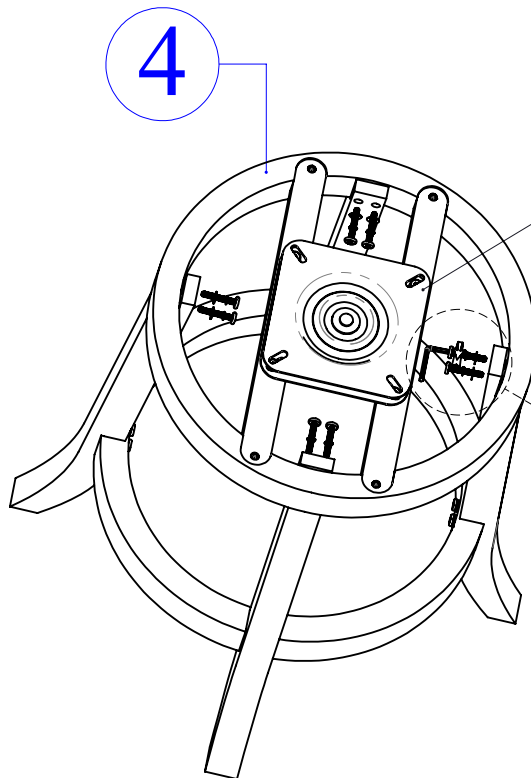
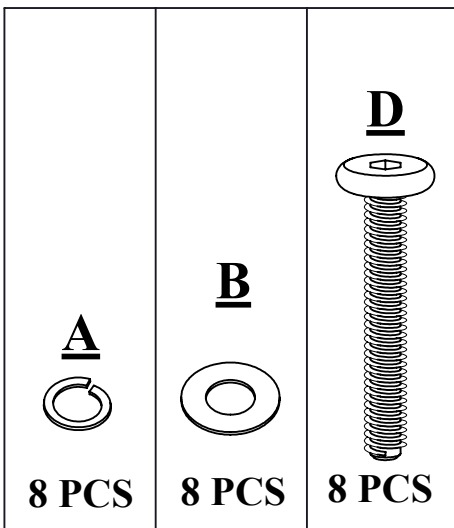


# 01





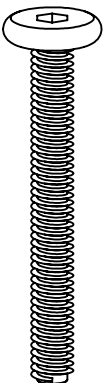
DO NOT TIGHTEN BOLT COMPLETELY.

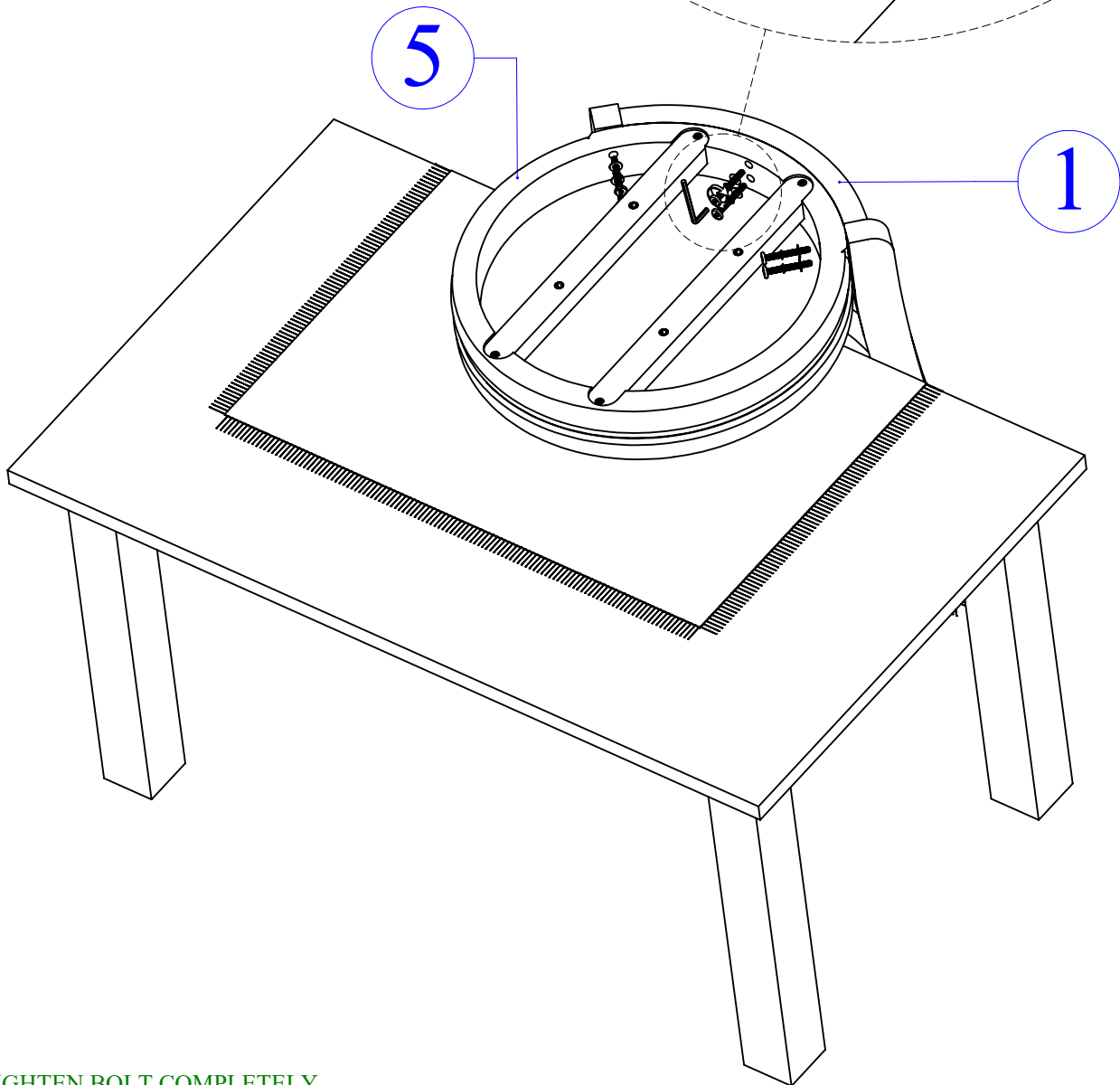
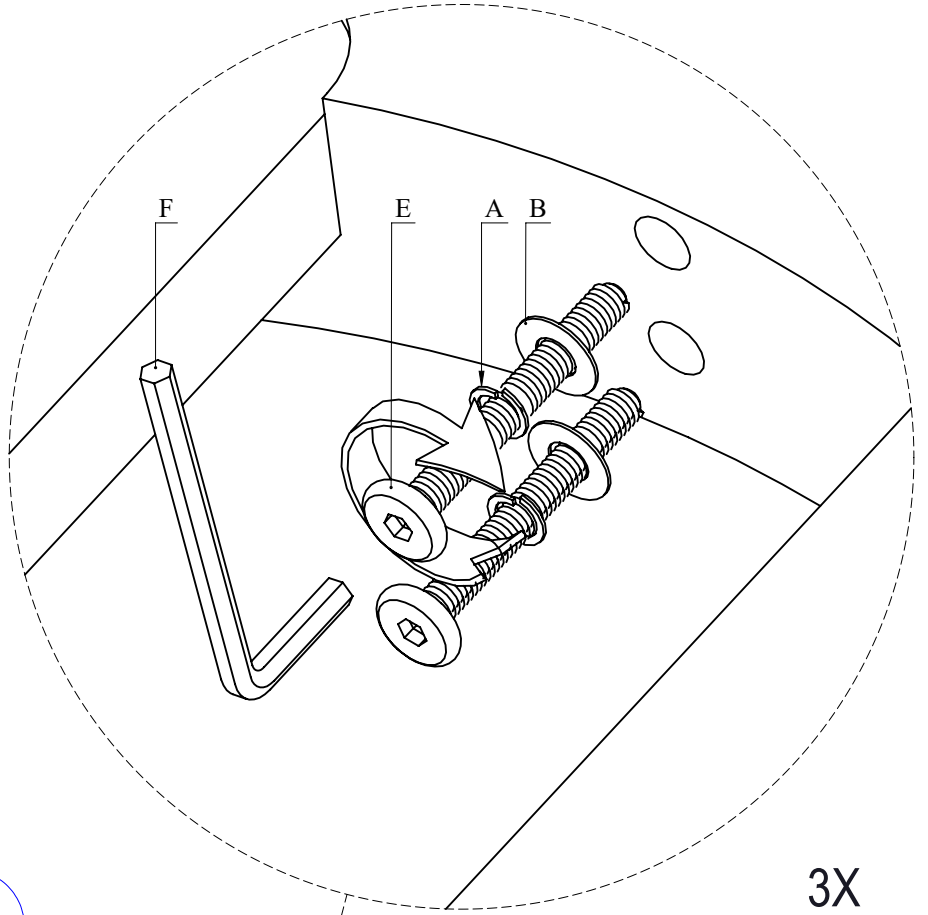
# 02



TIGHTEN BOLT COMPLETELY.

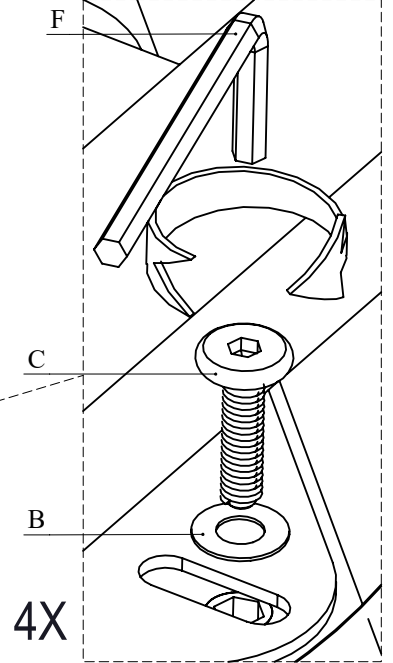
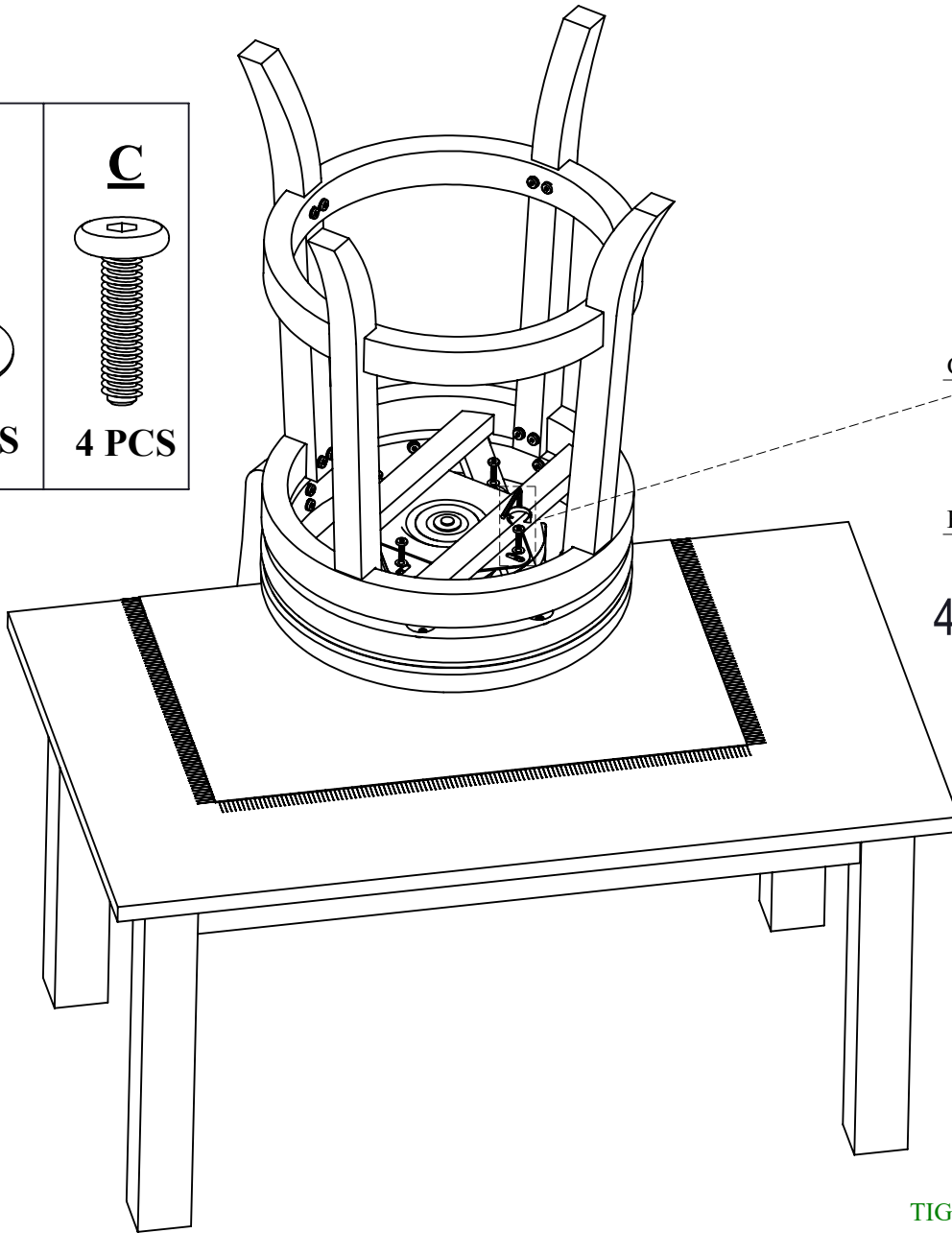
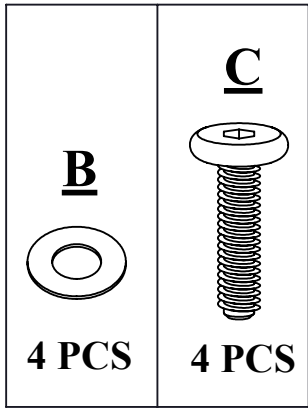
# 03

<b>A</b>  6 PCS	<b>B</b>  6 PCS	<b>E</b>  6 PCS
--	--	--

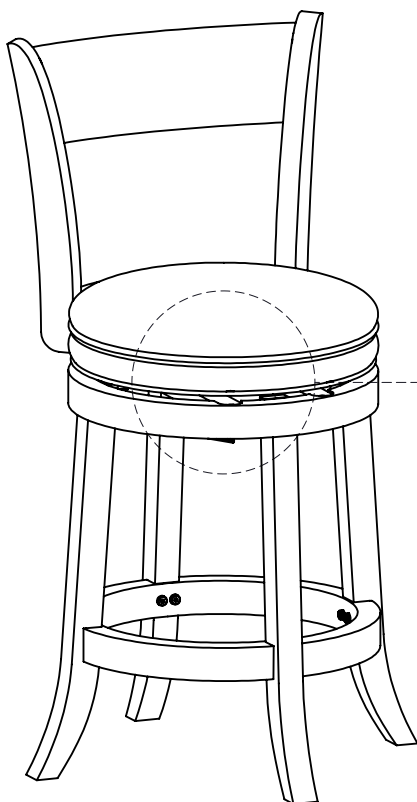


TIGHTEN BOLT COMPLETELY.

# 04



TIGHTEN BOLT COMPLETELY.



BE SURE TO CHECK ALL BOLTS ARE SECURELY TIGHTENED PRIOR USING THIS STOOL.