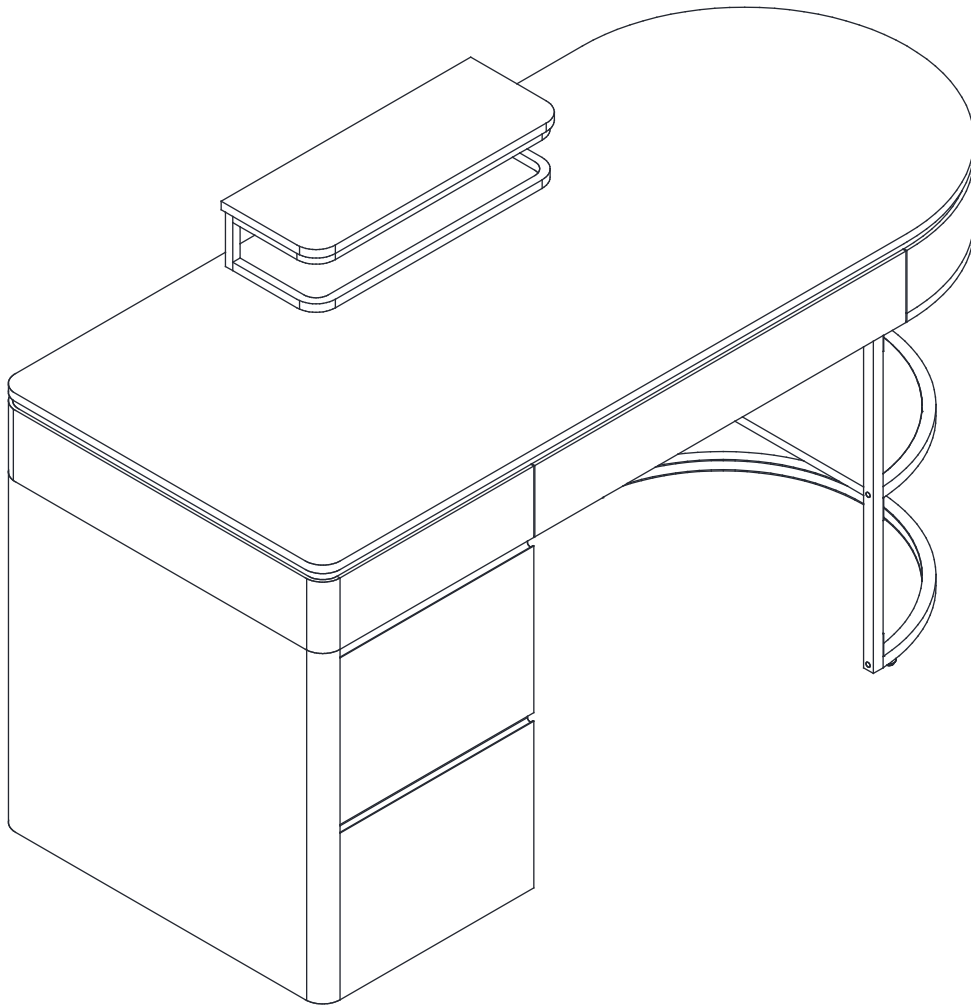


# Desk

SKU:WF314775  
WF314776

Assembly Instructions - Please keep for future reference



## Dimensions

Width-59.84inch

Depth-25.98inch

Height-31.10inch

Important – Please read these instructions fully before starting assembly



# Safety and Care Advice

**Important – Please read these instructions fully before starting assembly**

- Check you have all the components and tools listed on the following pages.
- Remove all fittings from the plastic bags and separate them into their groups.
- Keep children and animals away from the work area, small parts could choke if swallowed.
- Make sure you have enough space to layout the parts before starting.

- During assembly do not stand or put weight on the product, this could cause damage.
- Assemble the item as close to its final position (in the same room) as possible.
- Assemble on a soft level surface to avoid damaging the unit or your floor.
- Parts of the assembly will be easier with 2 people.



power drill is set on a low torque setting.

- To reduce the likelihood of damaging your product please ensure that your

## Care and maintenance

- Only clean using a damp cloth and mild detergent, do not use bleach or abrasive cleaners.
- From time to time check that there are no loose screws on this unit.
- This product should not be discarded with household waste. Take to your local authority waste disposal centre.

## Handy Hints

- Assemble all parts and bolts loosely during assembly, only once the product is complete should you fully tighten the bolts
- Regularly check and ensure That all bolts and fittings are tightend properly.

**WARNING**  
**In order to help prevent overturning –**  
**please follow these instructions**

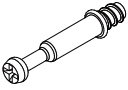



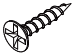

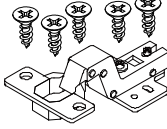
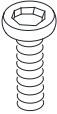



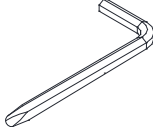
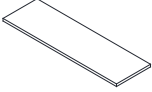
To help prevent product toppling over please follow the below steps:-

- Use the anti tip stap or wall fixing method provided (if applicable)
- Do not allow children to climb or hang on the furniture
- Do not open more than one drawer at a time
- Do not place heavy items in the top drawers
- Do not place heavy items on top of the furniture, unless the furniture has been designed for this purpose

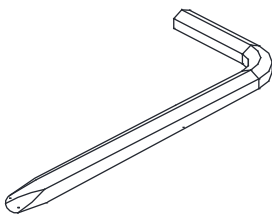
# Components - Fittings

Please check you have all the panels listed below

Note: The quantities below are the correct amount to complete the assembly. In some cases, more fittings may be supplied than required.

<p>(A)</p>  <p>Cam Bolt x 40</p>	<p>(B)</p>  <p>Dowel x 18</p>	<p>(C)</p>  <p>Cam lock x 40</p>	<p>(D)</p>  <p>340mm Drawer slide x 6</p>
<p>(E)</p>  <p>3*12mm Screw x 26</p>	<p>(F)</p>  <p>6*30mm Screw x 19</p>	<p>(G)</p>  <p>3.5*14mm Hinge x 2SET</p>	<p>(H)</p>  <p>6*16mm Screw x 6</p>
<p>(I)</p>  <p>4*25mm Screw x 13</p>	<p>(J)</p>  <p>3.5*14mm Screw x 7</p>	<p>(Q)</p>  <p>6*25mm Screw x 4</p>	<p>(L)</p>  <p>Allen key x 1</p>
<p>(M)</p>  <p>50*15mm Square foot pad x 3</p>			

## Tools required



Phillips screwdriver  
(medium & large)

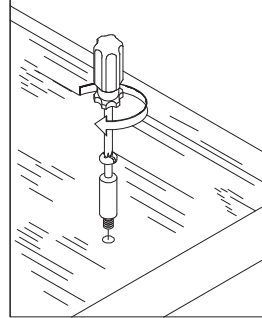
# Using Camlocks

## Step 1

Connect the male camlock as directed in the assembly instructions using a screwdriver.

1

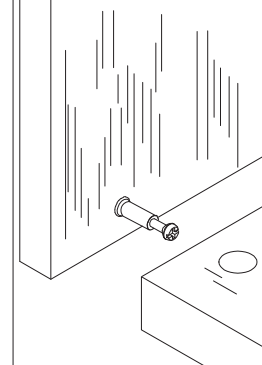
DO NOT OVER TIGHTEN.  
NE PAS SERRER EXCESSIVEMENT.



## Step 2

Push the male camlock into the entry hole.

2

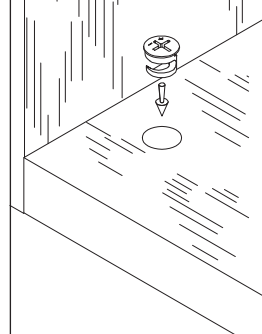


## Step 3

Insert the female camlock as shown in the instruction.

Note: ensure that the arrow on the top of the camlock points towards the entry hole for the male camlock.

3



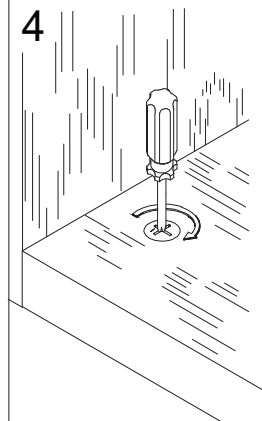
## Step 4

Turn the female camlock clockwise with a screwdriver.

You should feel a click when the camlock is locked in place.

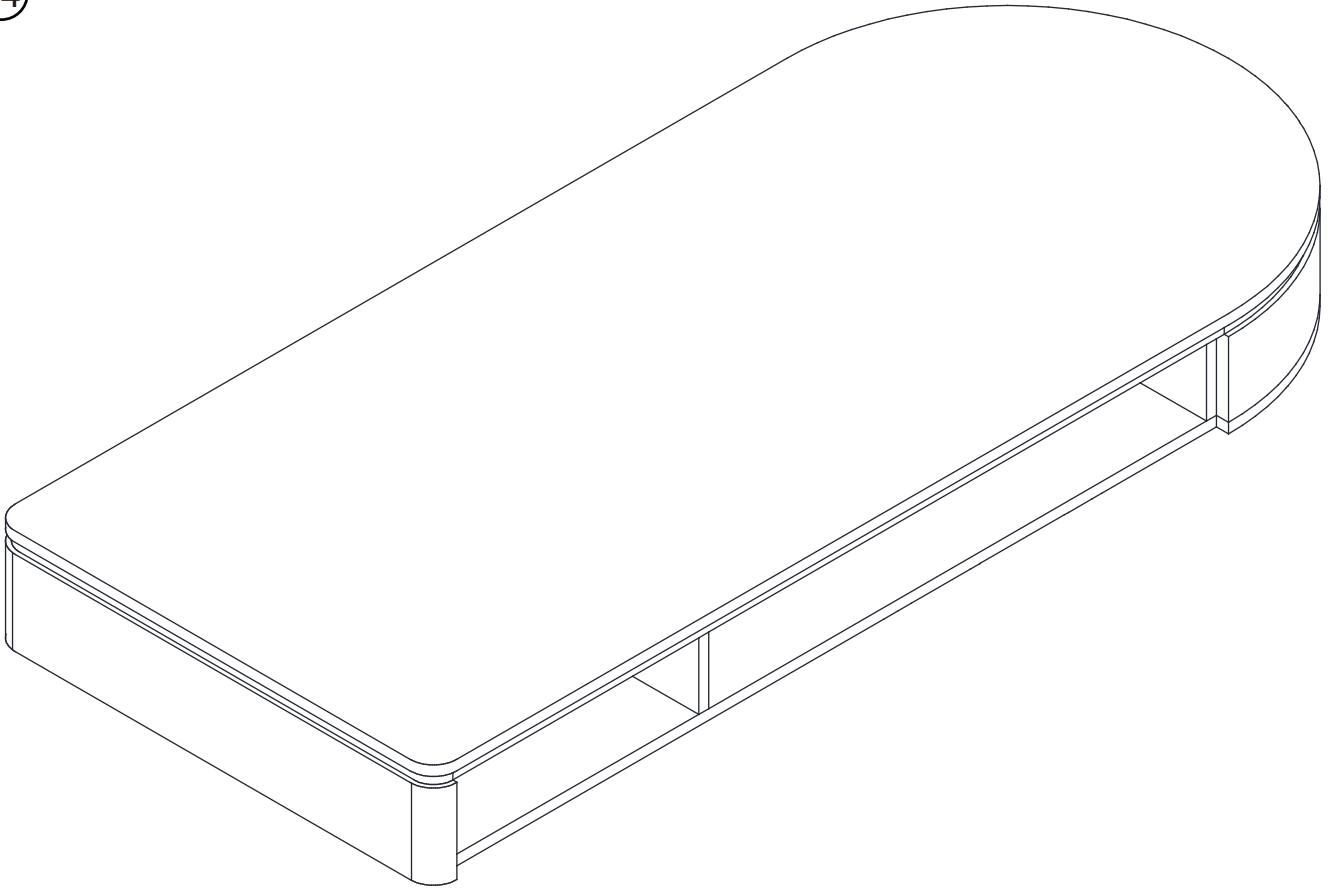
The joint is now secure.

4



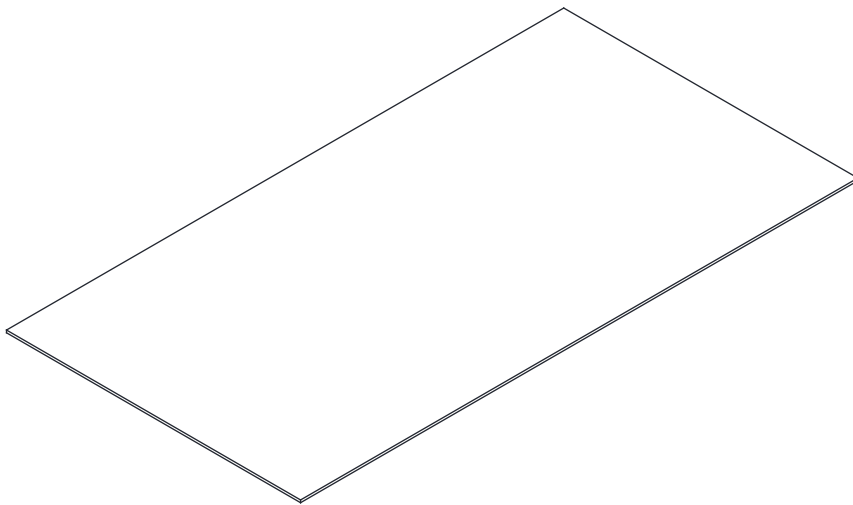
SKU:WF314775

14



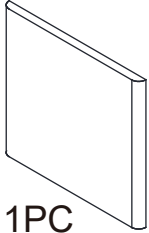
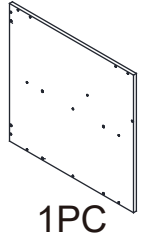
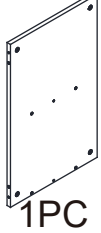
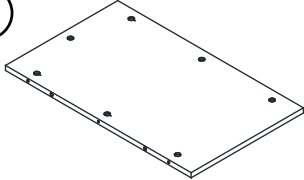
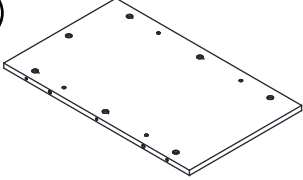
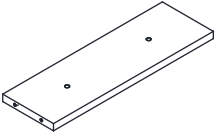
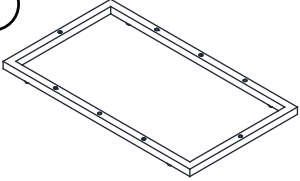
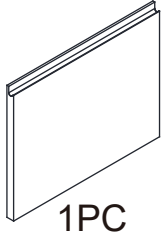
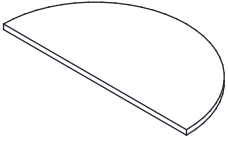
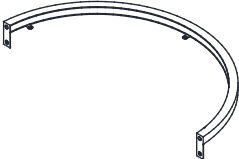

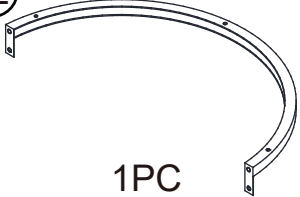

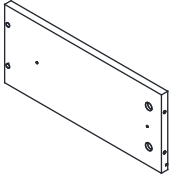
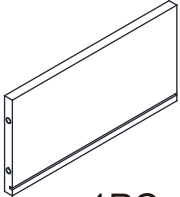
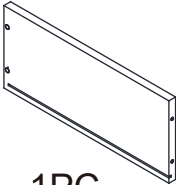
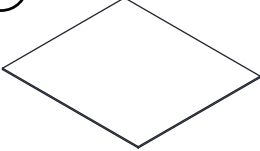
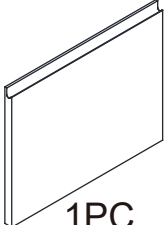
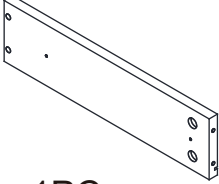
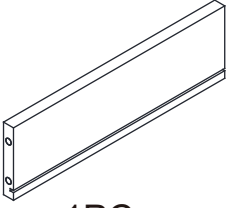
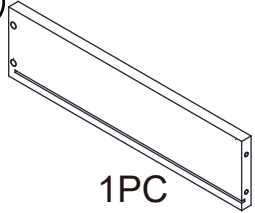
1PC

28

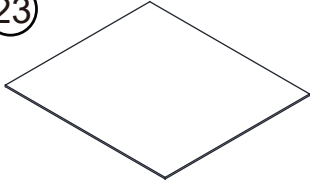
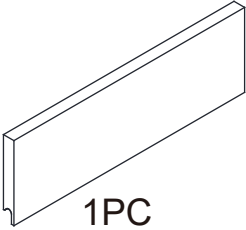
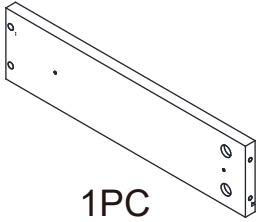
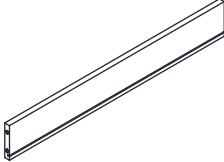
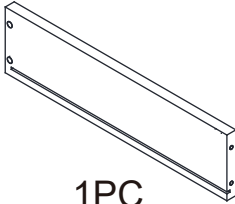
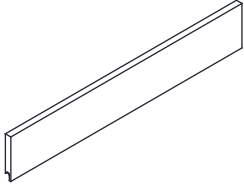
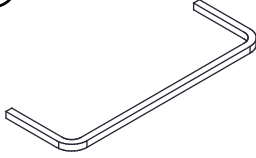

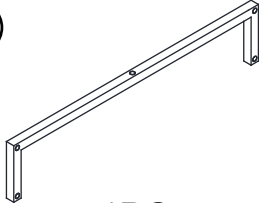




1PC

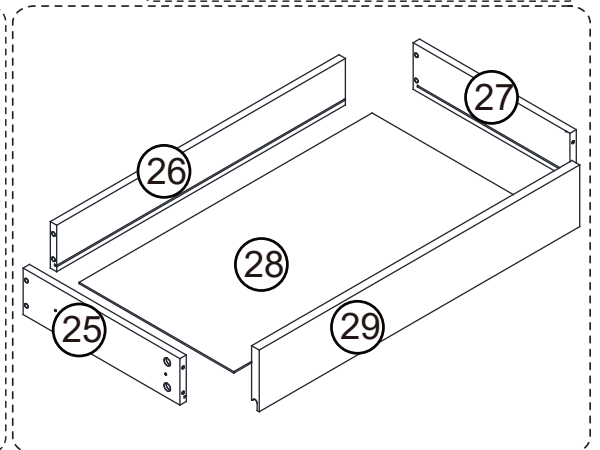
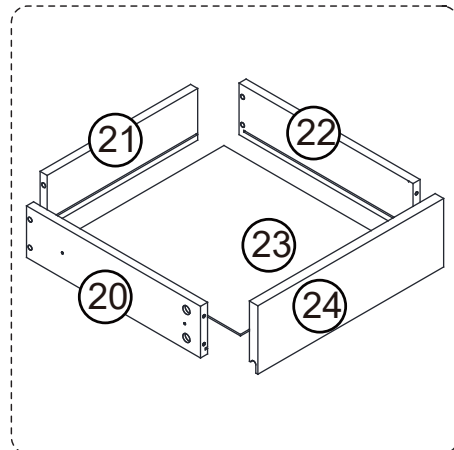
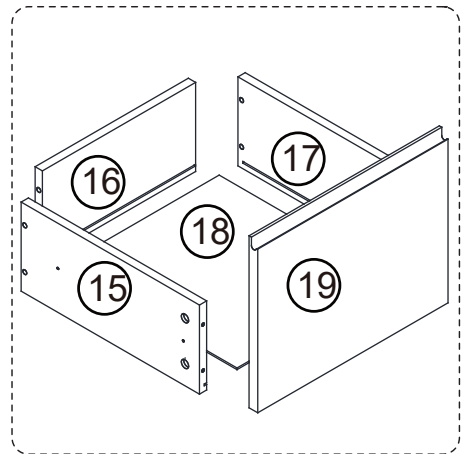
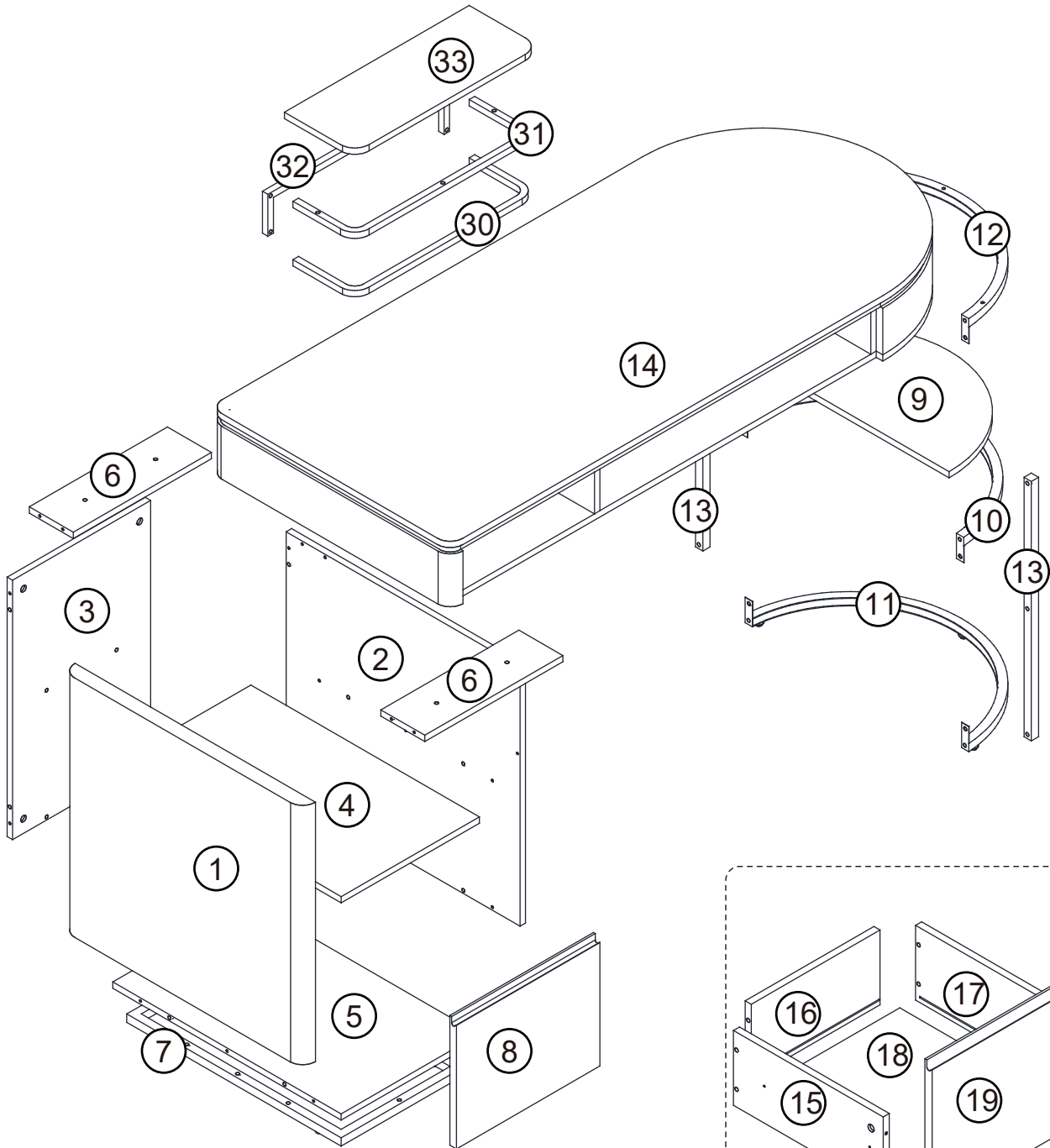
# SKU:WF314776

<p>①</p>  <p>1PC</p>	<p>②</p>  <p>1PC</p>	<p>③</p>  <p>1PC</p>
<p>④</p>  <p>1PC</p>	<p>⑤</p>  <p>1PC</p>	<p>⑥</p>  <p>2PC</p>
<p>⑦</p>  <p>1PC</p>	<p>⑧</p>  <p>1PC</p>	<p>⑨</p>  <p>1PC</p>
<p>⑩</p>  <p>1PC</p>	<p>⑪</p>  <p>1PC</p>	<p>⑫</p>  <p>1PC</p>
<p>⑬</p>  <p>2PC</p>	<p>⑮</p>  <p>1PC</p>	<p>⑯</p>  <p>1PC</p>
<p>⑰</p>  <p>1PC</p>	<p>⑱</p>  <p>1PC</p>	<p>⑲</p>  <p>1PC</p>
<p>⑳</p>  <p>1PC</p>	<p>㉑</p>  <p>1PC</p>	<p>㉒</p>  <p>1PC</p>

# SKU:WF314776

<p>23</p>  <p>1PC</p>	<p>24</p>  <p>1PC</p>	<p>25</p>  <p>1PC</p>
<p>26</p>  <p>1PC</p>	<p>27</p>  <p>1PC</p>	<p>29</p>  <p>1PC</p>
<p>30</p>  <p>1PC</p>	<p>31</p>  <p>1PC</p>	<p>32</p>  <p>1PC</p>
<p>33</p>  <p>1PC</p>	 <p>Hardware Kit</p> <p>1PC</p>	

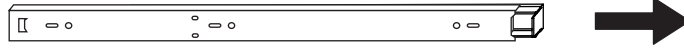
# SKU:Assembly Instructions



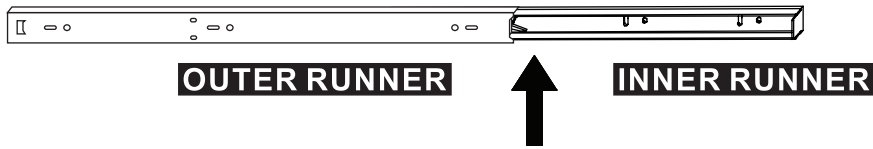
# SKU:WF314776 Assembly Instructions

## Step 1

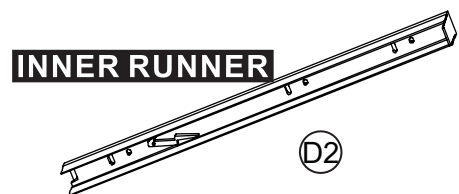
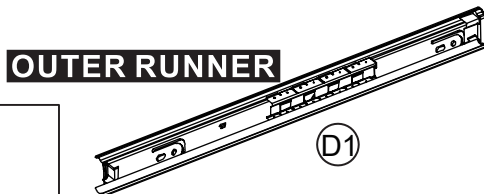
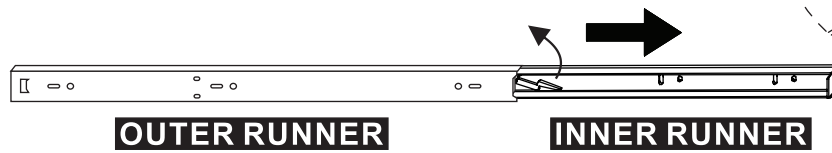
Pull inner and outer drawer runners apart before fixing them to panels.



Slide drawer runners apart until the drawer lock can be seen, as shown.



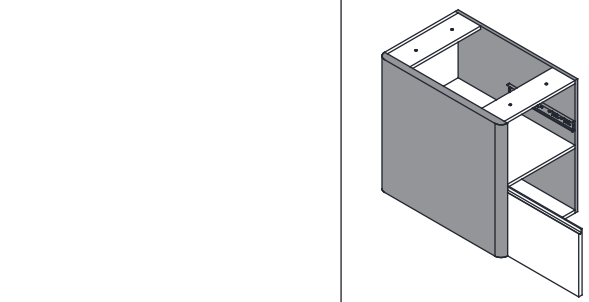
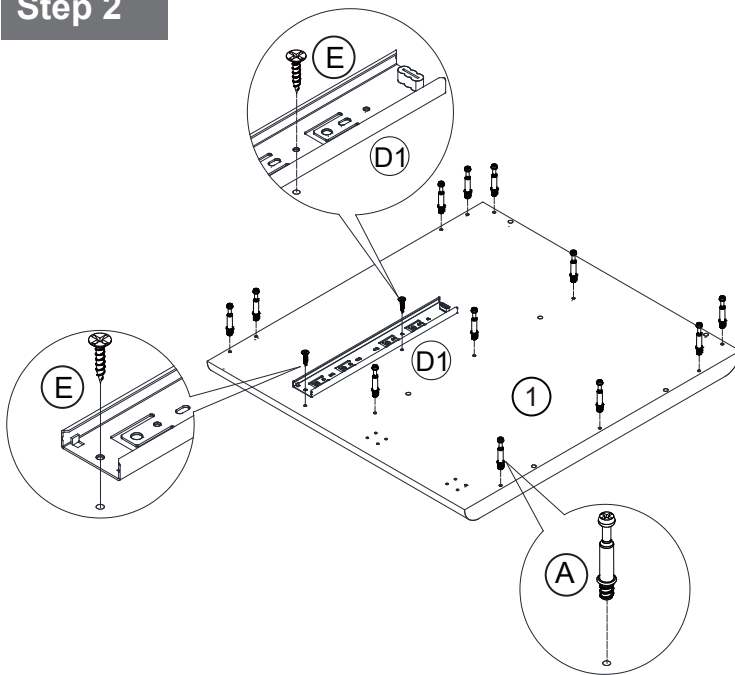
Press and hold the drawer runner lock and then continue to slide drawer runners apart, as shown.



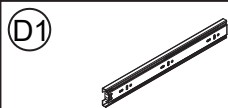
340mm Drawer slide x 6

Your inner and outer drawer runners are ready to be fixed to panels.

## Step 2



Cam Bolt x24



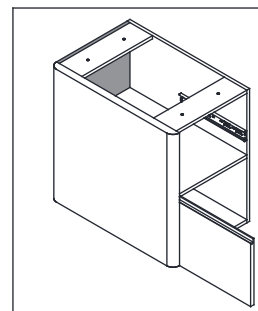
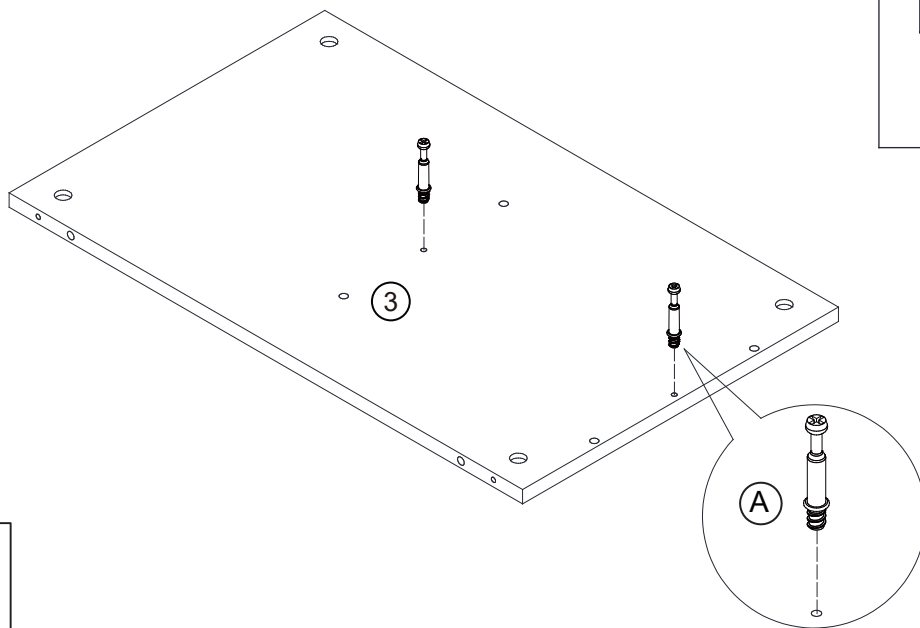
340mm Drawer slide x 2



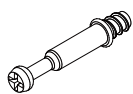
3\*12mm Screw x 4

# Assembly Instructions

## Step 3

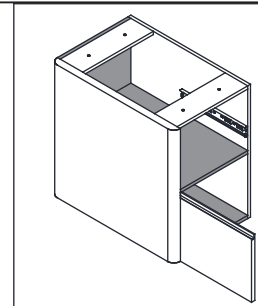
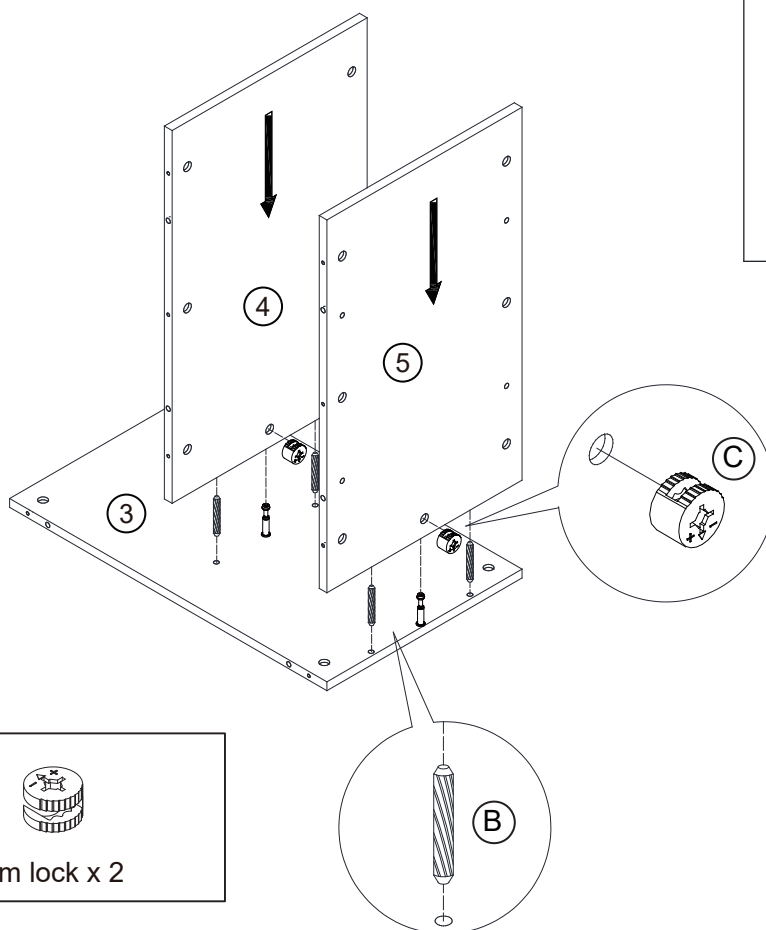


(A)



Cam Bolt x 2

## Step 4



(B)



Dowel x 4

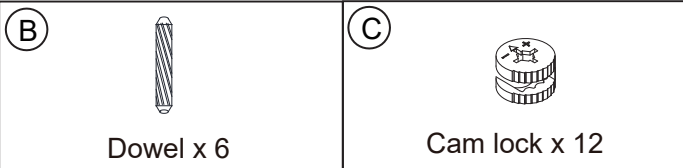
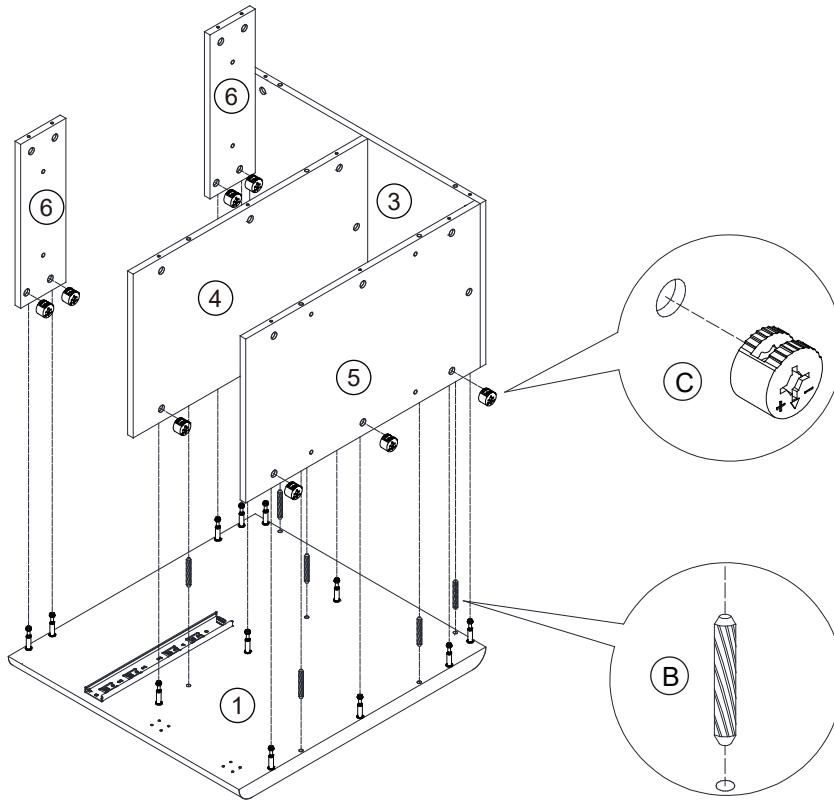
(C)



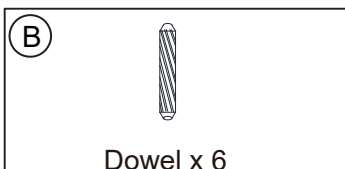
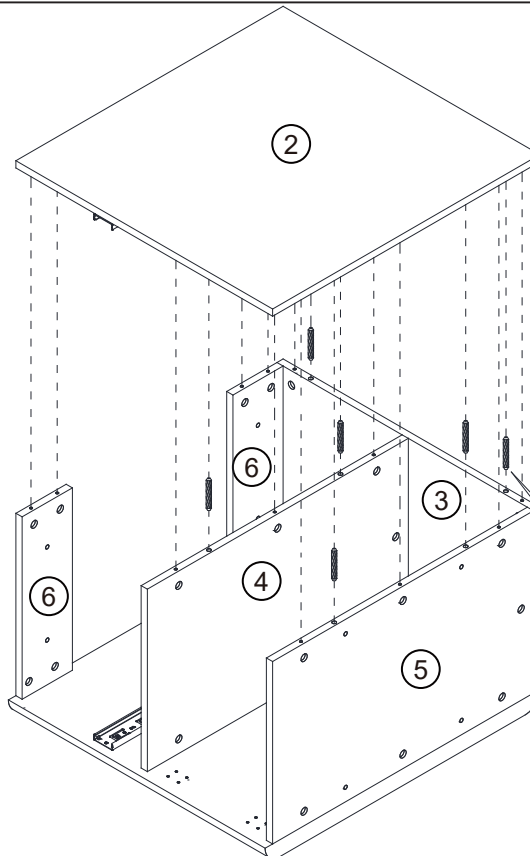
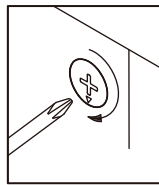
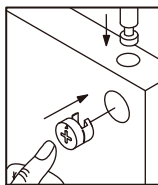
Cam lock x 2

# Assembly Instructions

## Step 5

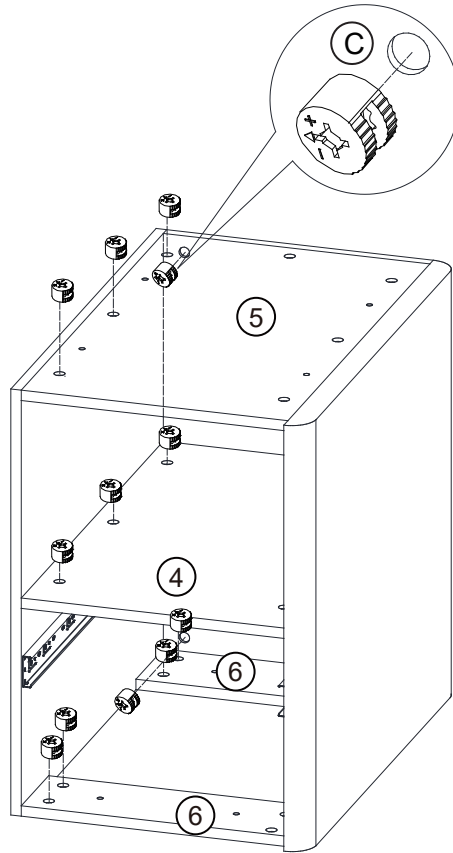


## Step 6



# Assembly Instructions

## Step 7

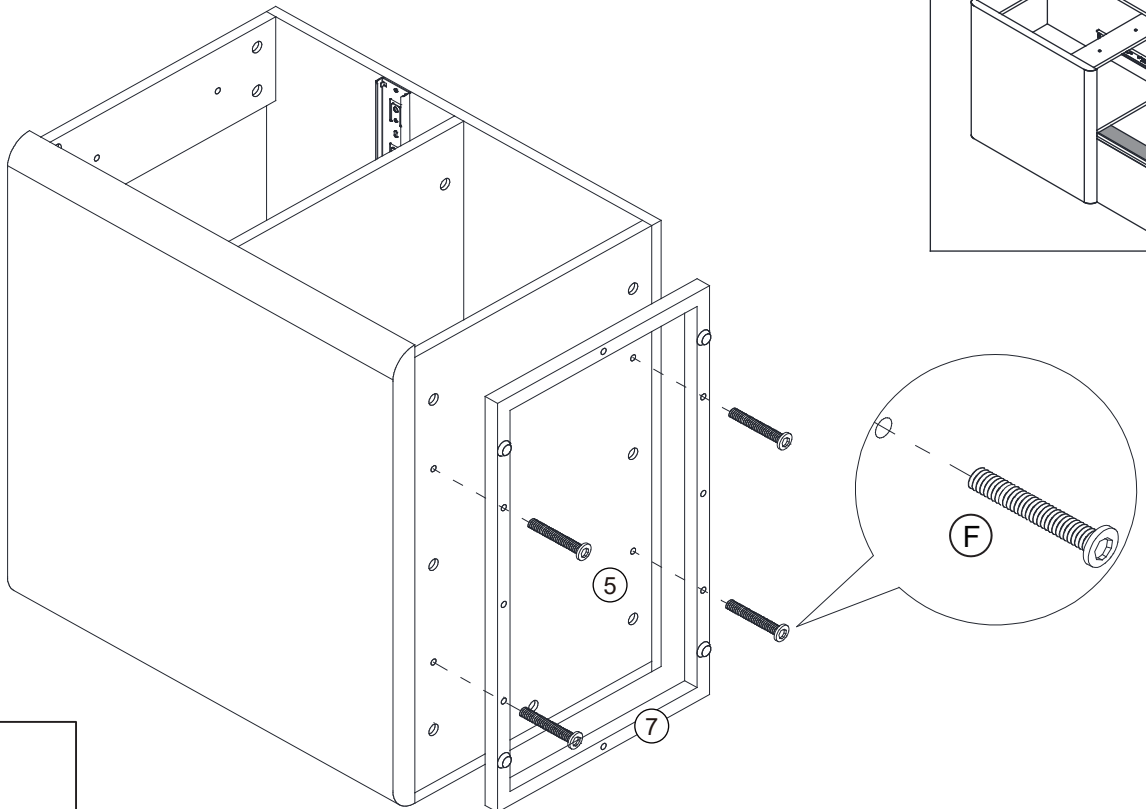


(C)

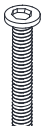


Cam lock x 12

## Step 8



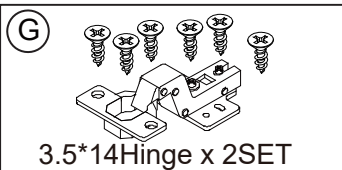
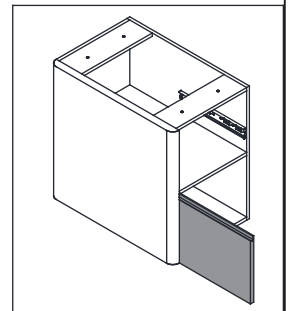
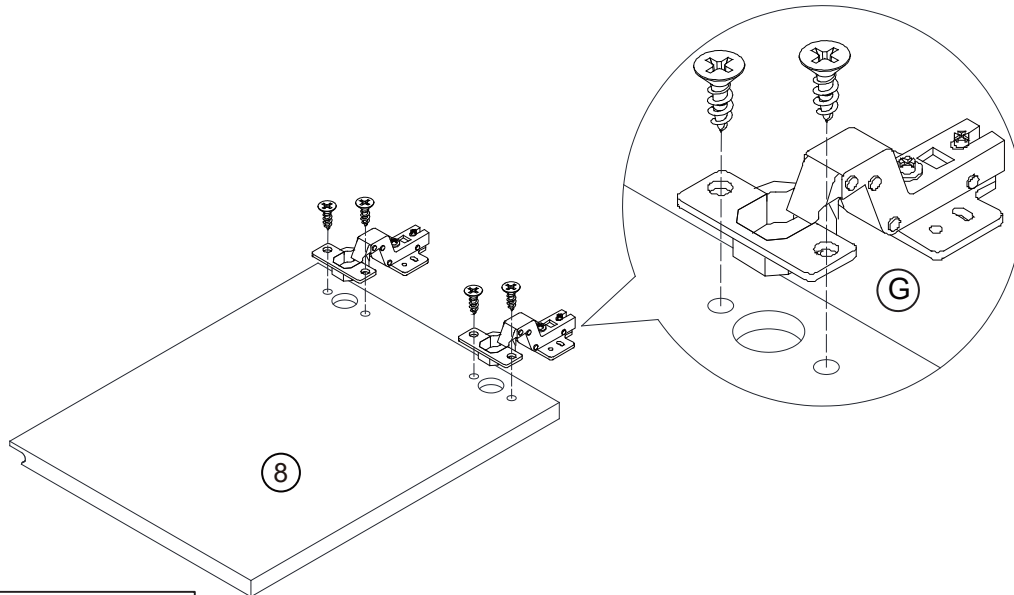
(F)



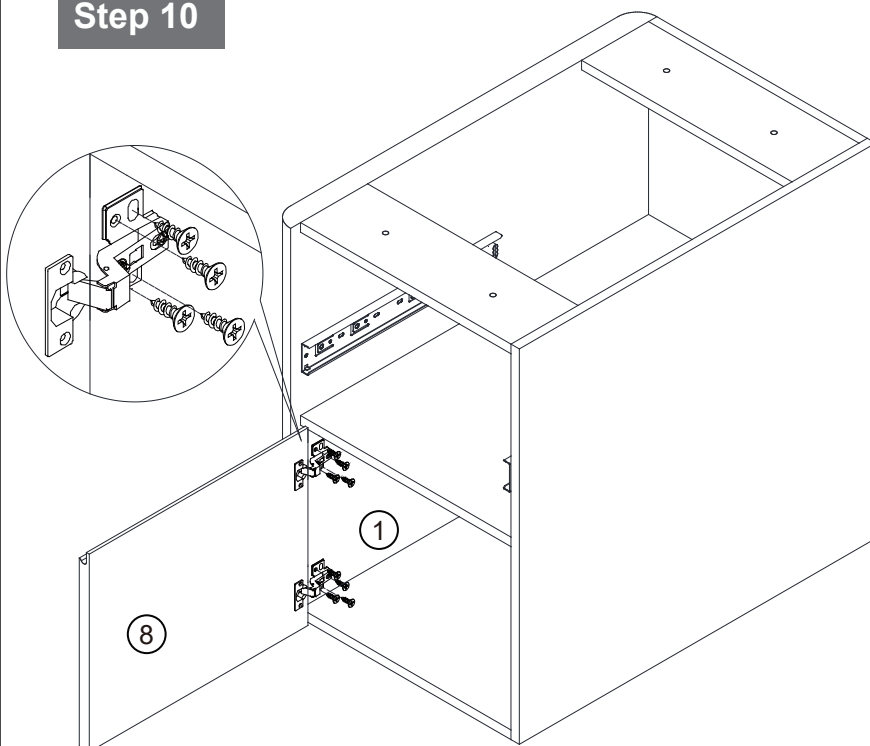
6\*30 Screw x 4

# Assembly Instructions

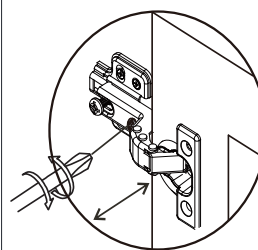
## Step 9



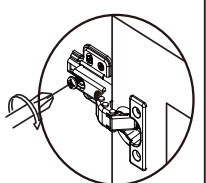
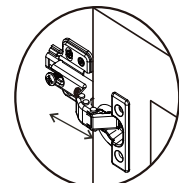
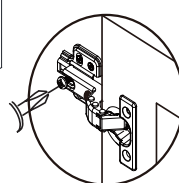
## Step 10



If the door can't close, please adjust the hinges.



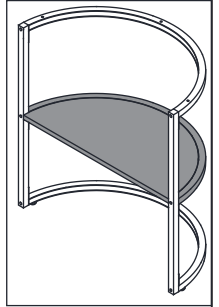
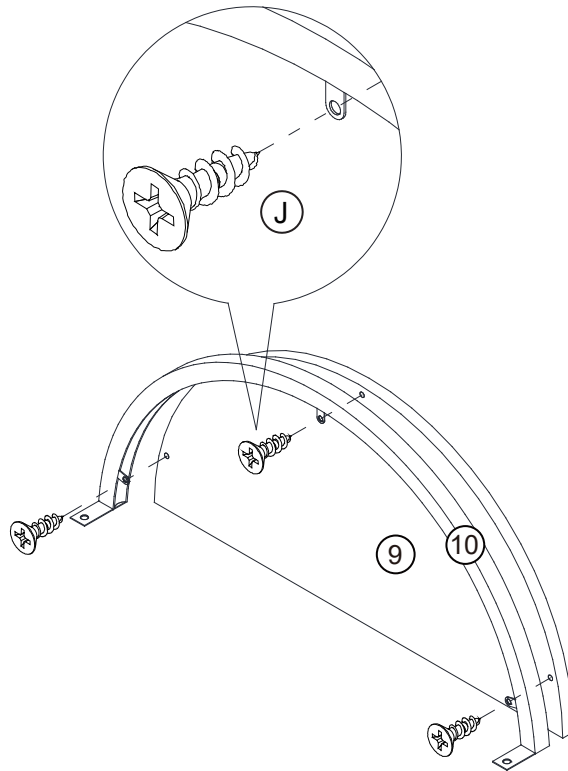
This is used to adjust the door panel in the up and down direction.



This is used to adjust the door panel in the front and back direction: Loosen the screw first, and then tighten screw after adjusting the door panel to the proper position.

# Assembly Instructions

## Step 11

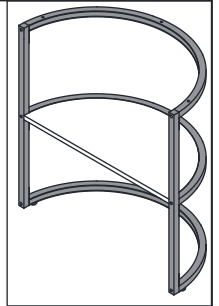
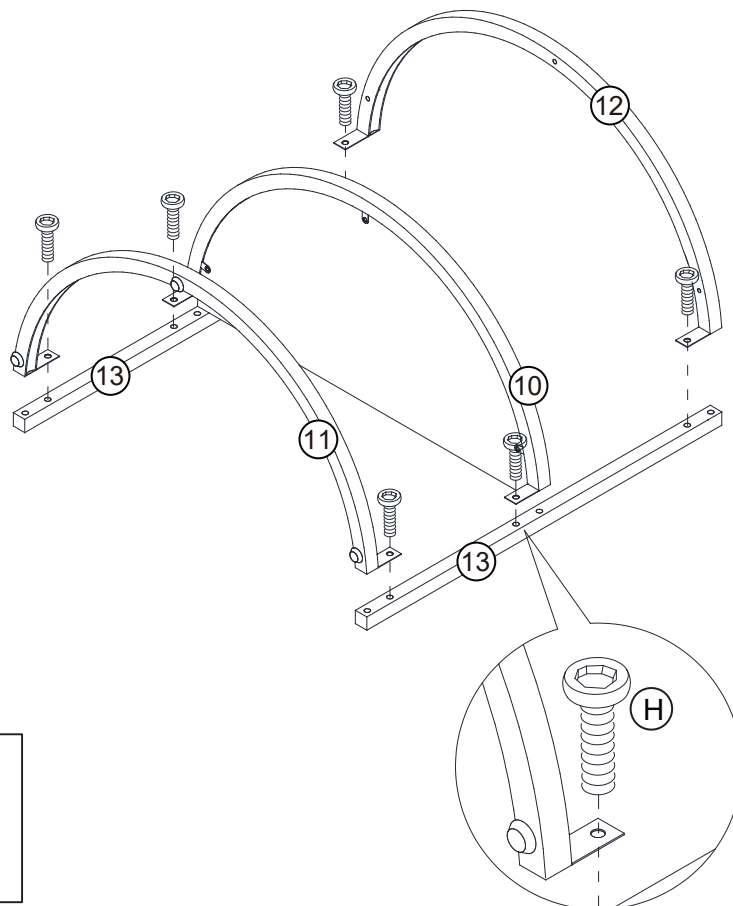


J

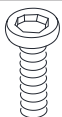


3.5\*14 Screw x 3

## Step 12



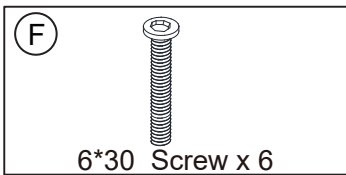
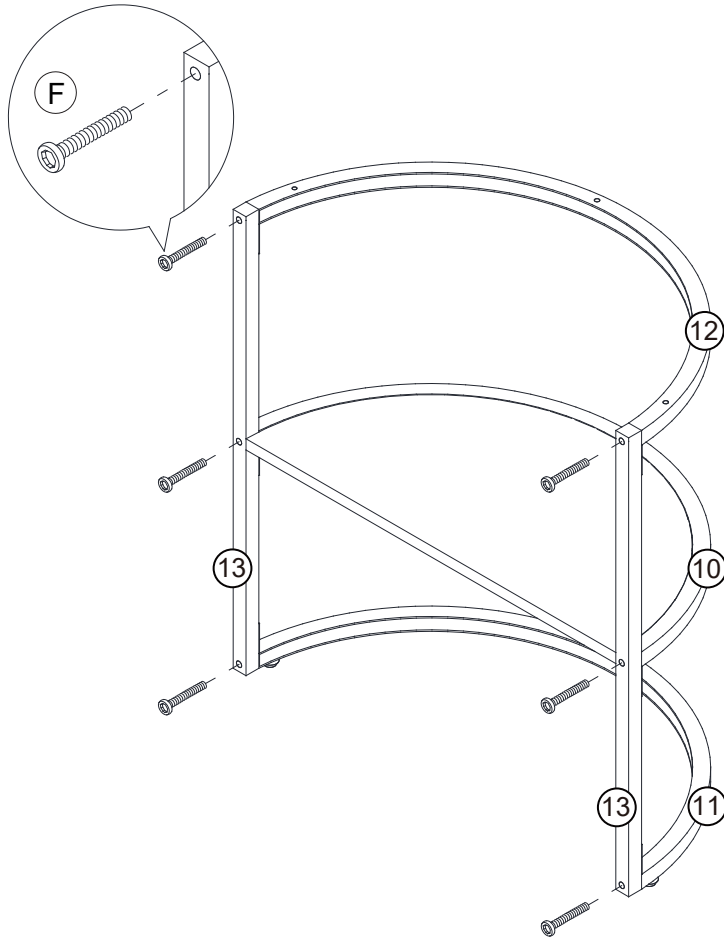
H



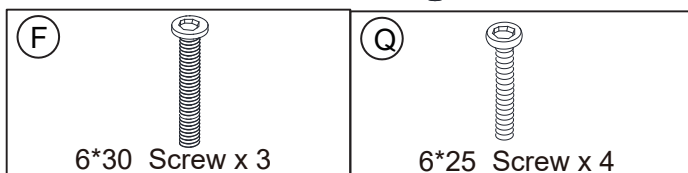
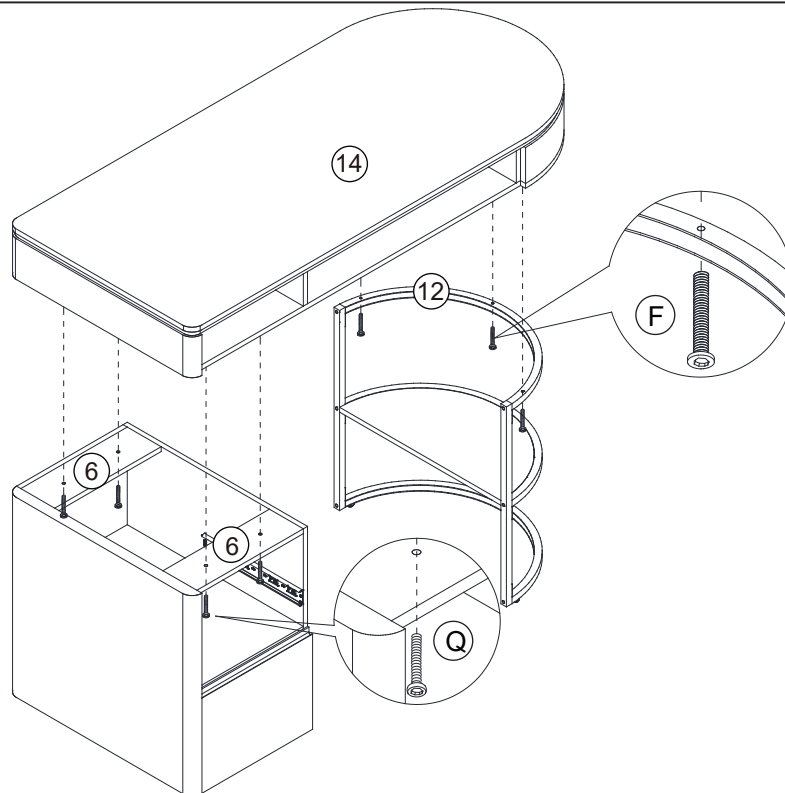
6\*16 Screw x 6

# SKU:WF314775 Assembly Instructions

## Step 13

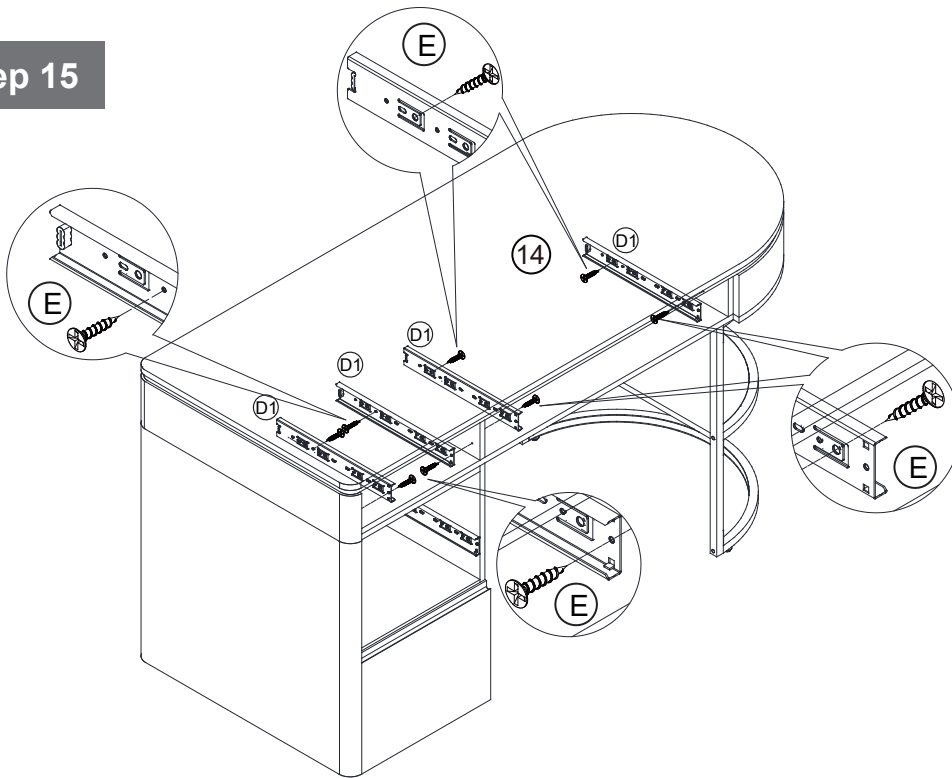


## Step 14

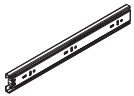


# Assembly Instructions

## Step 15



D1



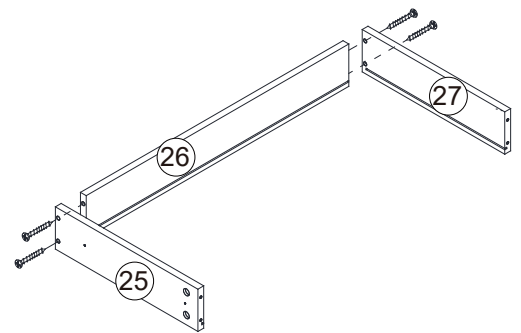
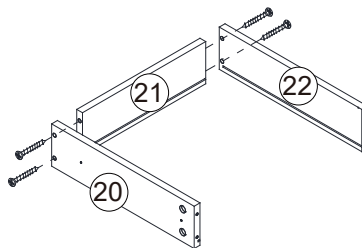
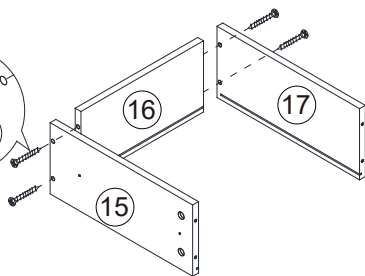
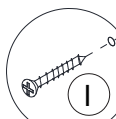
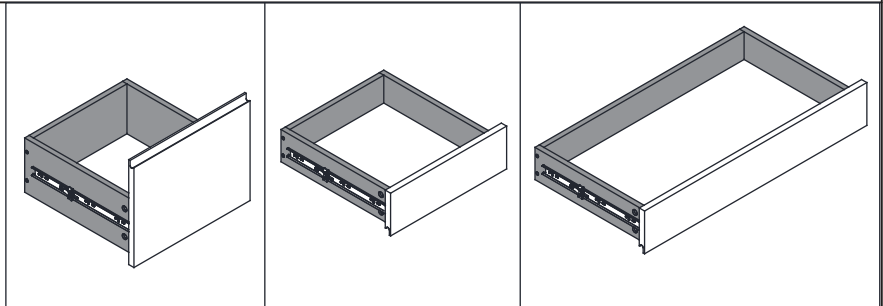
340mm Drawer slide x 4

E

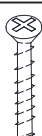


3\*12mm Screw x 8

## Step 16



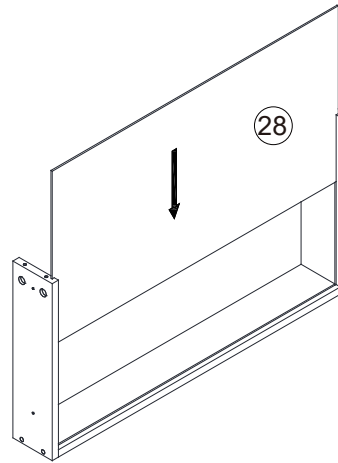
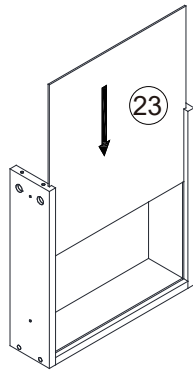
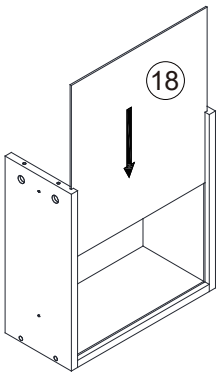
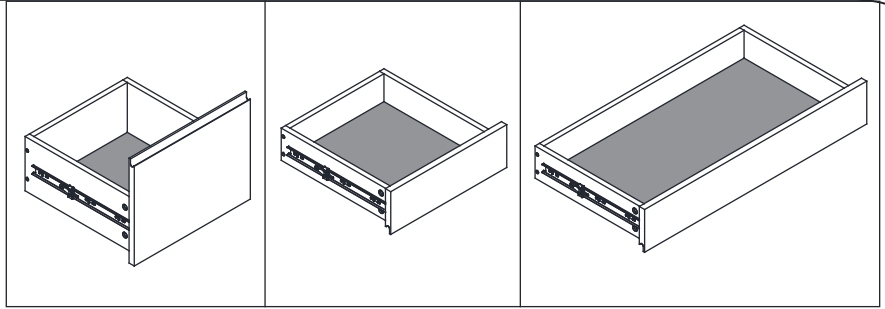
I



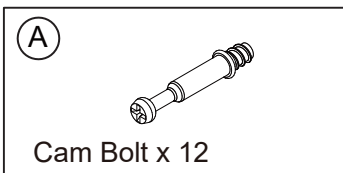
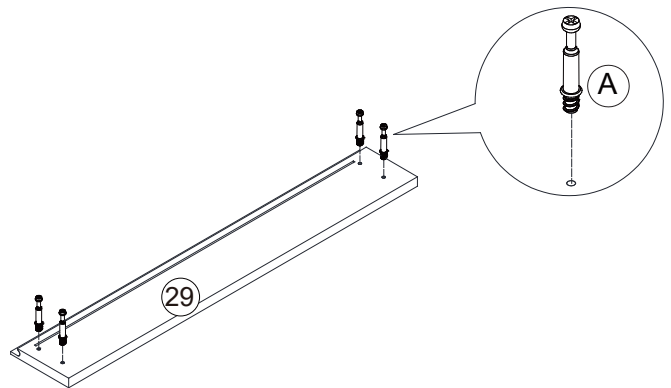
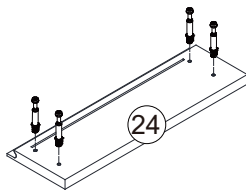
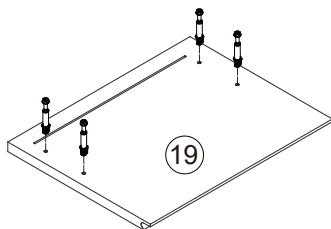
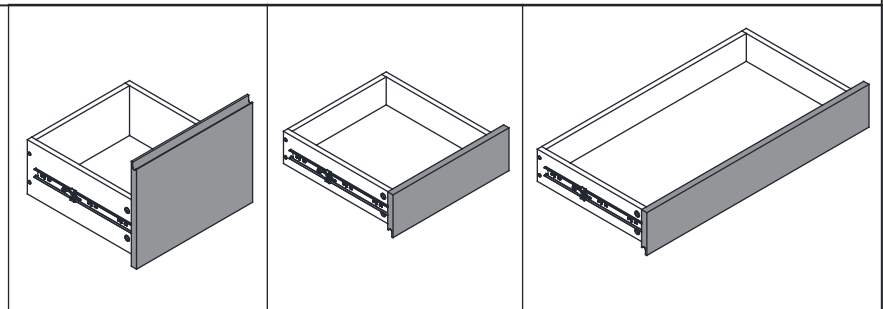
4\*25 Screw X 12

# Assembly Instructions

## Step 17

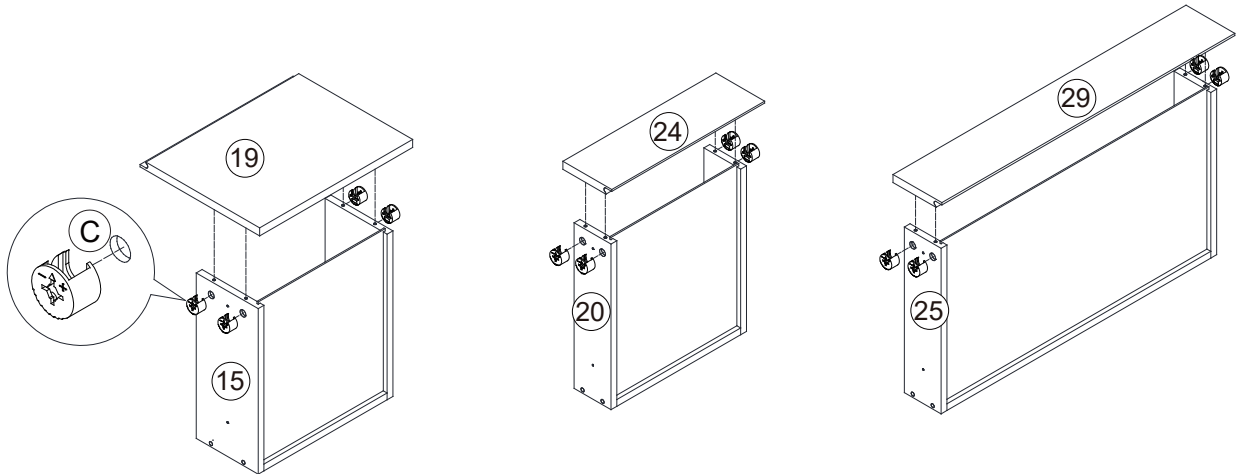
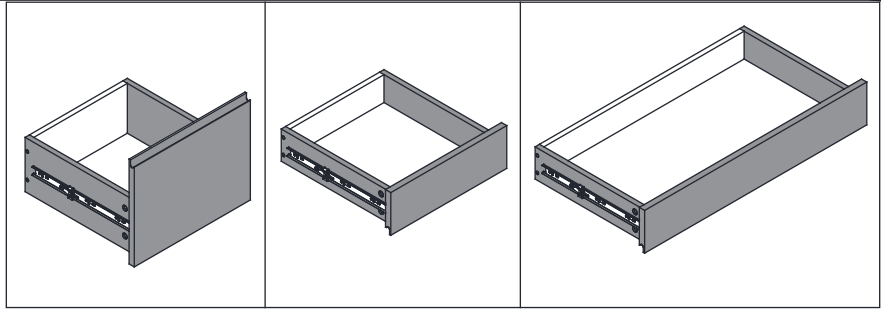


## Step 18



# Assembly Instructions

## Step 19

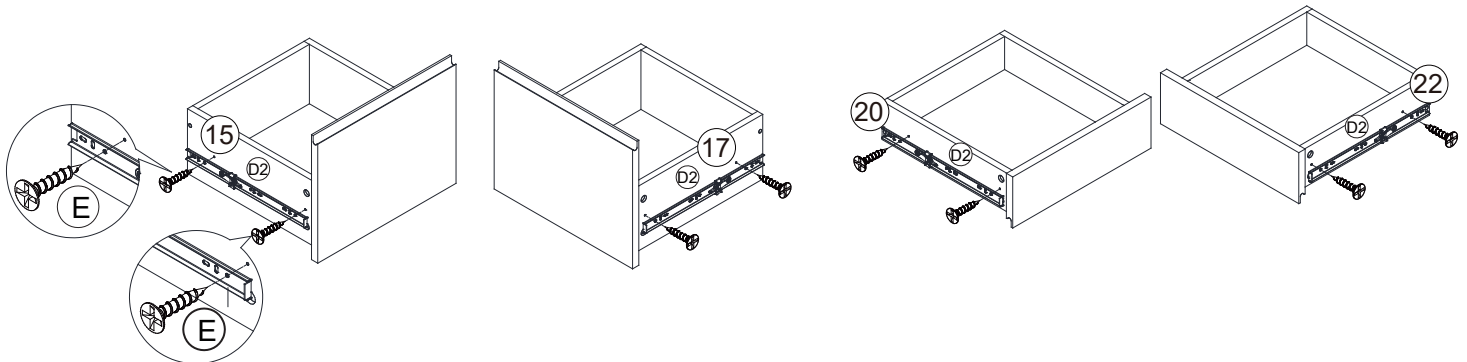
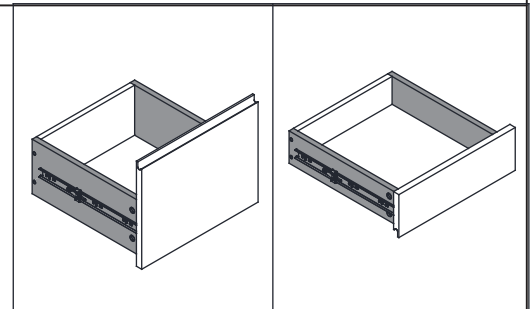


(C)

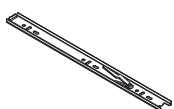


Cam lock x 12

## Step 20



(D2)



340mm Drawer slide x 4

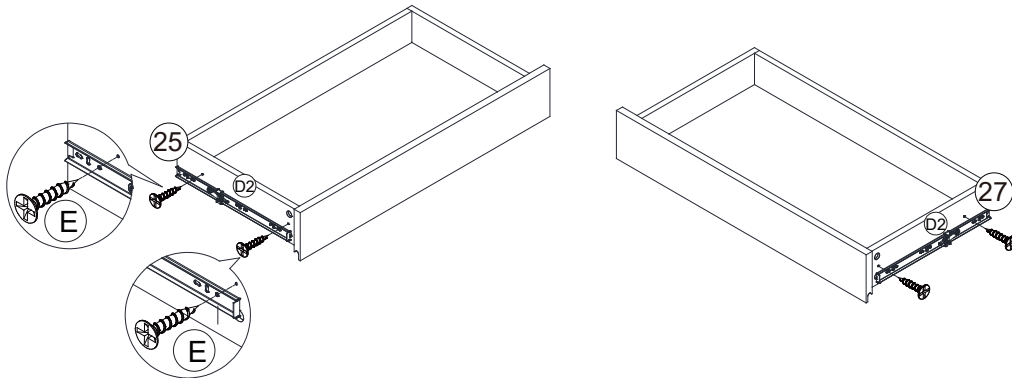
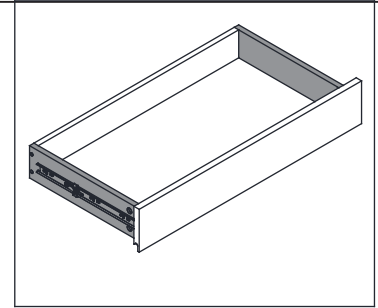
(E)



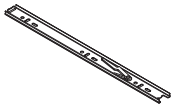
3\*12mm Screw x 8

# Assembly Instructions

## Step 21



D2



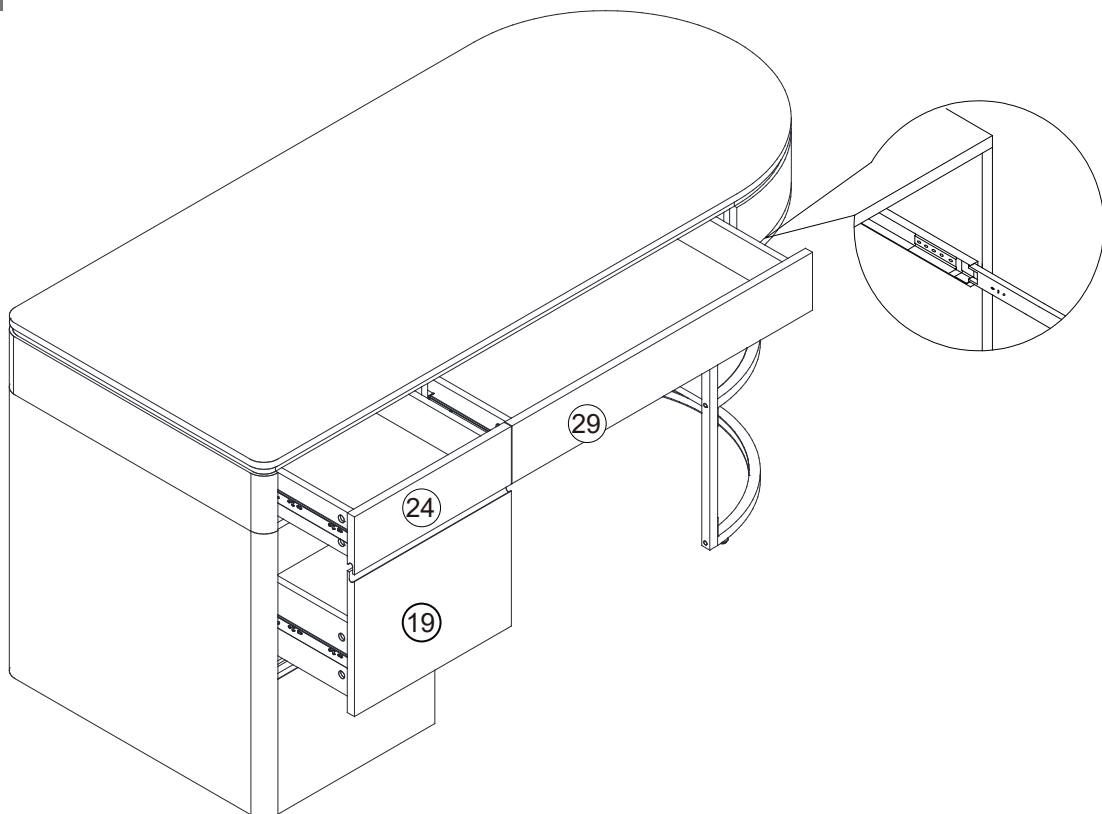
340mm Drawer slide x 2

E



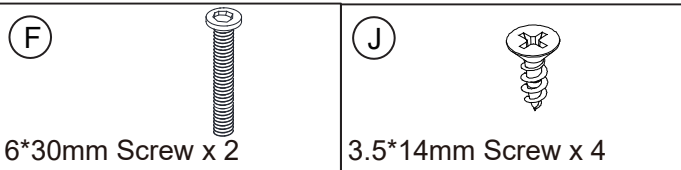
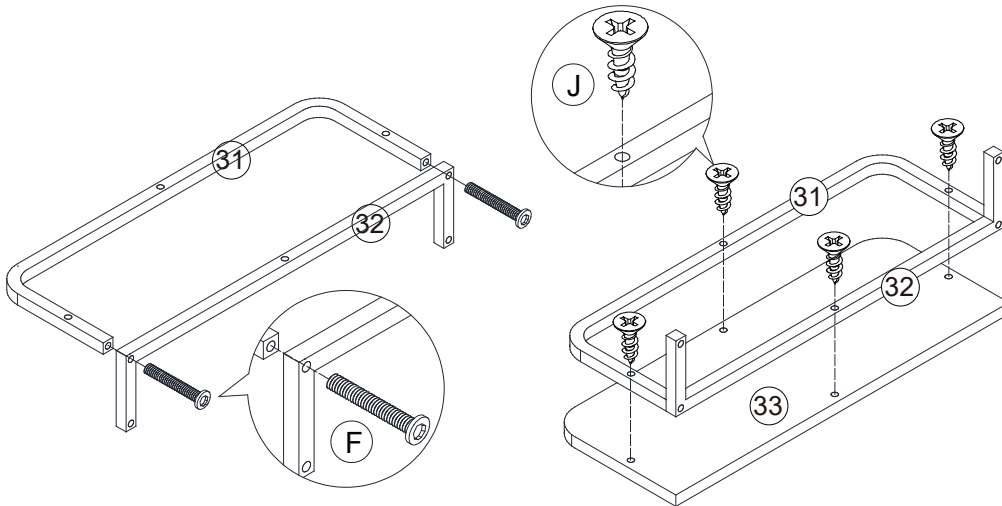
3\*12mm Screw x 4

## Step 22

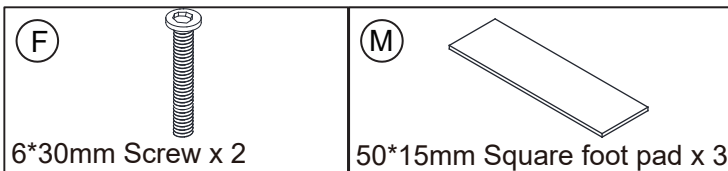
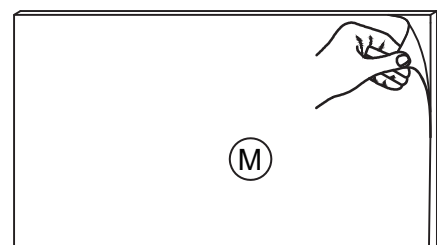
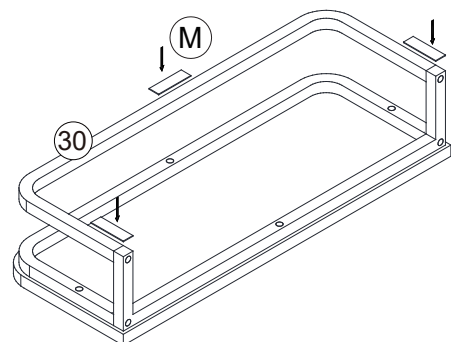
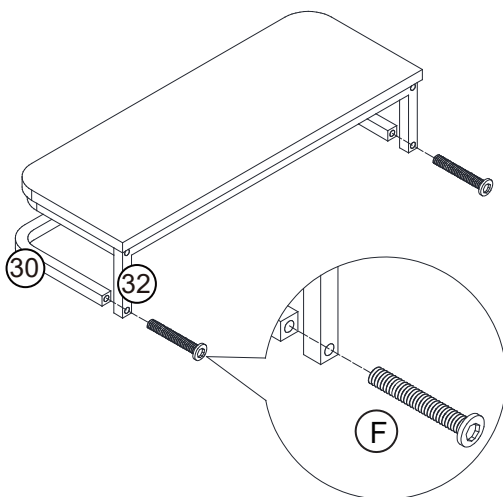


# Assembly Instructions

## Step 23



## Step 24



# Assembly Instructions

## Step 25

