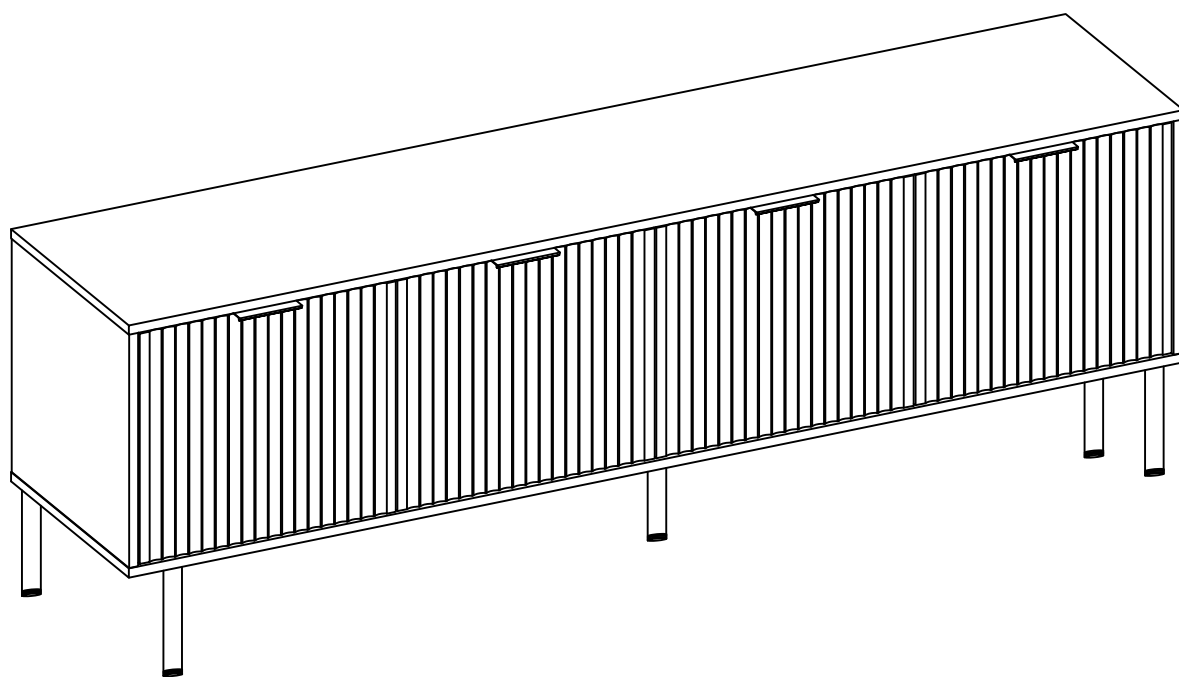
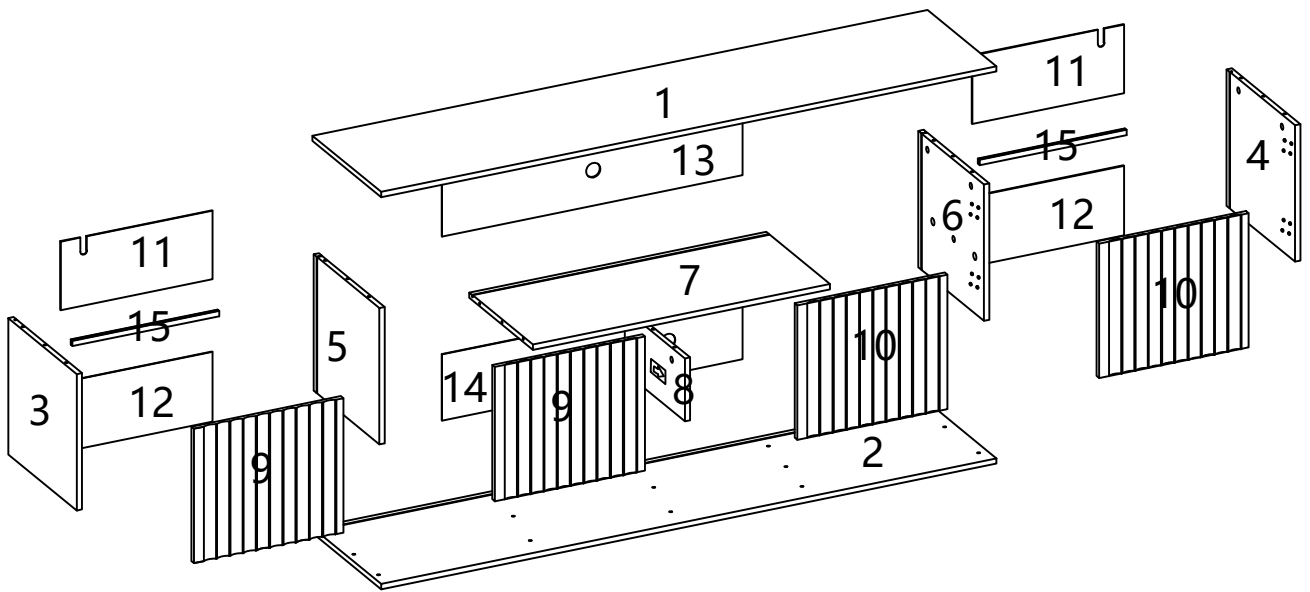

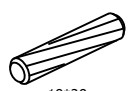
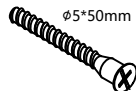
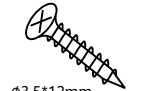

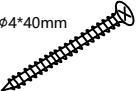


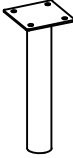
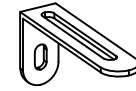
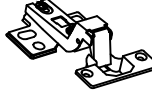




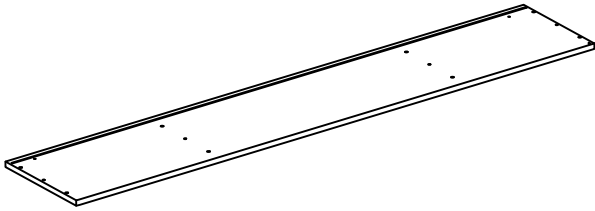
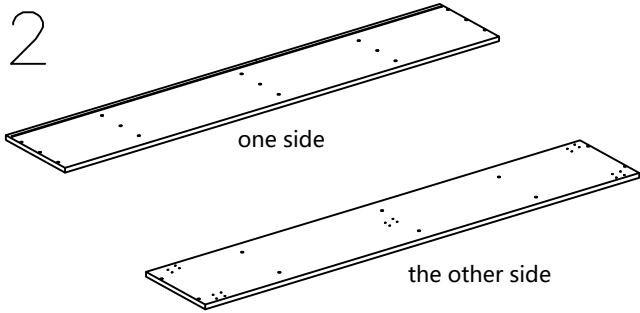
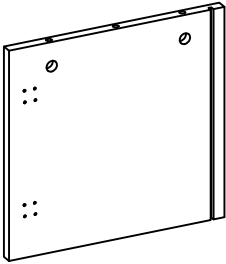
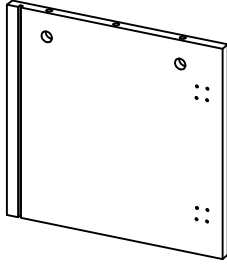
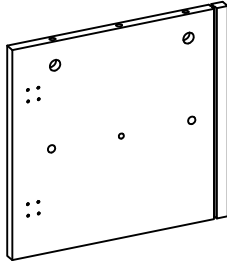
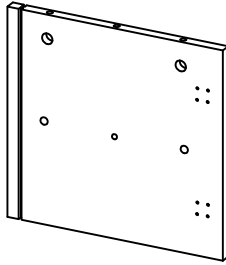
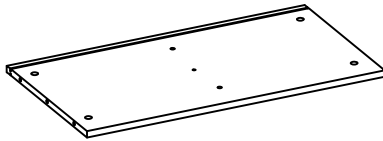
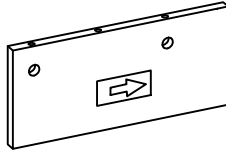
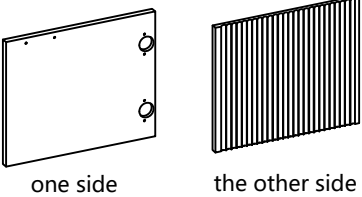
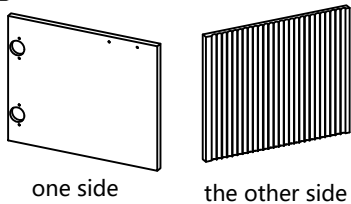
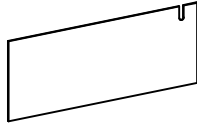
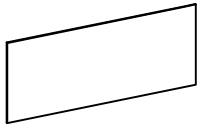
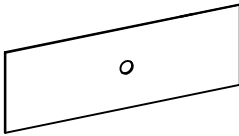
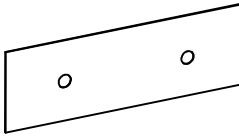


# Installation & Assembly

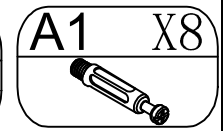
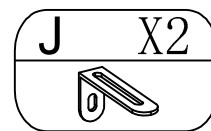
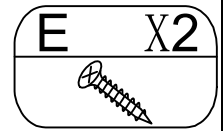
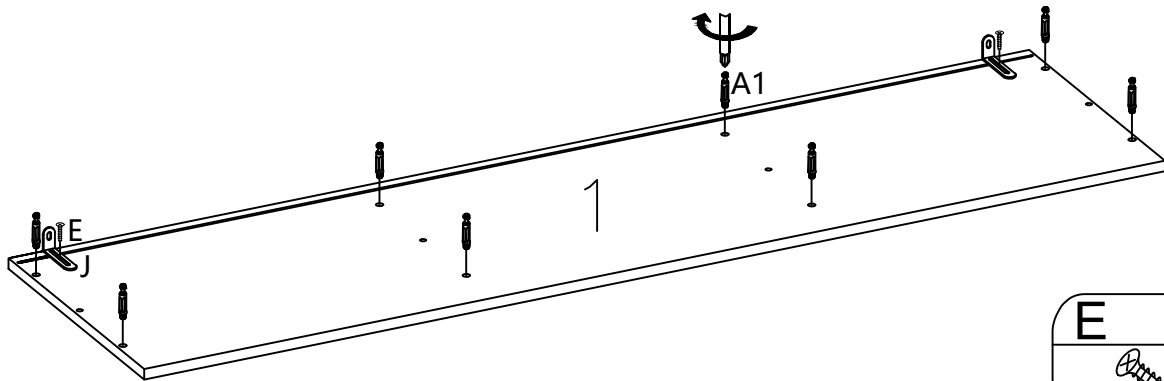
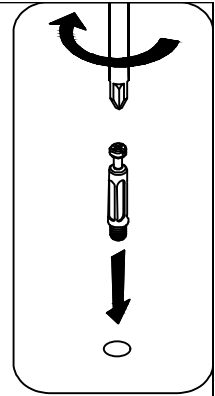
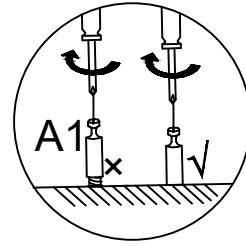




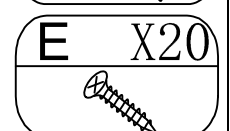
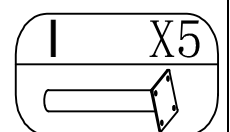
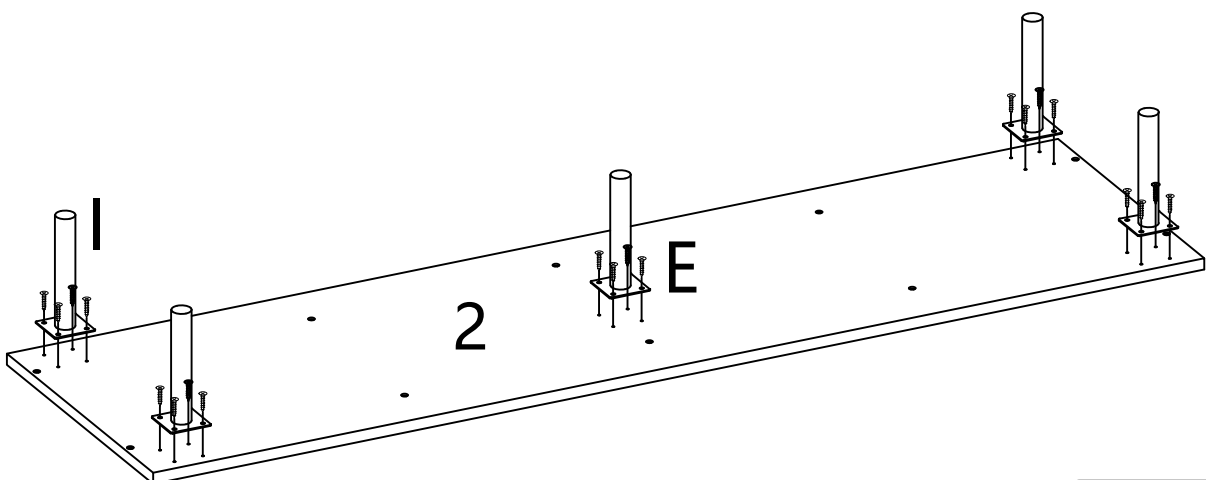
<p><b>A</b></p> <p>φ15*9.5mm</p>  <p>A2 φ7*40mm A1</p> <p>14PCS</p>	<p><b>B</b></p>  <p>φ8*30mm</p> <p>12PCS</p>	<p><b>C</b></p>  <p>φ5*50mm</p> <p>10PCS</p>	<p><b>D</b></p>  <p>φ3.5*12mm</p> <p>24PCS</p>	<p><b>E</b></p>  <p>φ3.5*14mm</p> <p>74PCS</p>	<p><b>F</b></p>  <p>φ4*40mm</p> <p>2PCS</p>	<p><b>G</b></p>  <p>2PCS</p>	<p><b>H</b></p>  <p>4PCS</p>
<p><b>I</b></p>  <p>5PCS</p>	<p><b>J</b></p>  <p>2PCS</p>	<p><b>K</b></p>  <p>4PCS</p>	<p><b>L</b></p>  <p>4PCS</p>	<p><b>M</b></p>  <p>20PCS</p>	<p><b>N</b></p>  <p>24PCS</p>	<p><b>15</b> X2</p>  <p>L=420.5mm</p>	

<p>1</p>  <p>1750*380*15mm 1pc</p>	<p>2</p>  <p>1750*380*15mm 1pc</p>	
<p>3</p>  <p>380*379*15mm 1pc</p>	<p>4</p>  <p>380*379*15mm 1pc</p>	<p>5</p>  <p>380*363*15mm 1pc</p>
<p>6</p>  <p>380*363*15mm 1pc</p>	<p>7</p>  <p>843*363*15mm 1pc</p>	<p>8</p>  <p>175*342*15mm 1pc</p>
<p>9</p>  <p>375*426.5*15mm 2pcs</p>	<p>10</p>  <p>375*426.5*15mm 2pcs</p>	<p>11</p>  <p>194*431.5*3mm 2pcs</p>
<p>12</p>  <p>194*431.5*3mm 2pcs</p>	<p>13</p>  <p>199*851*3mm 1pc</p>	<p>14</p>  <p>184*851*3mm 1pc</p>

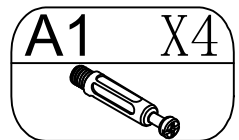
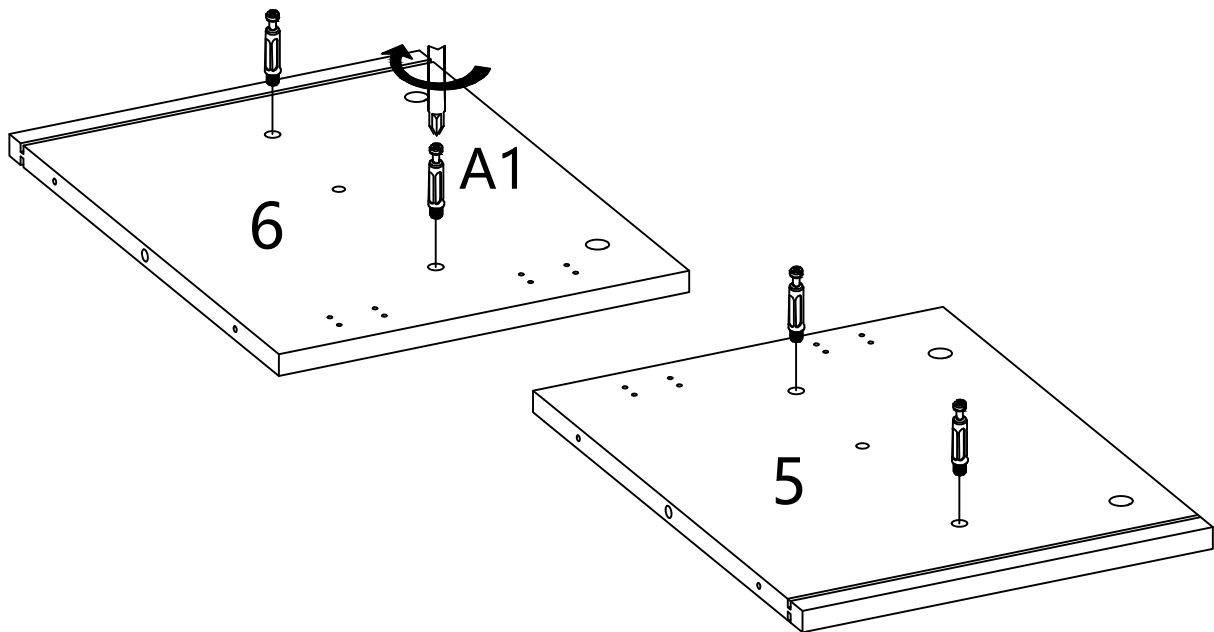
# STEP 1



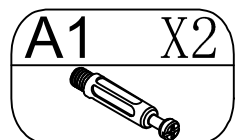
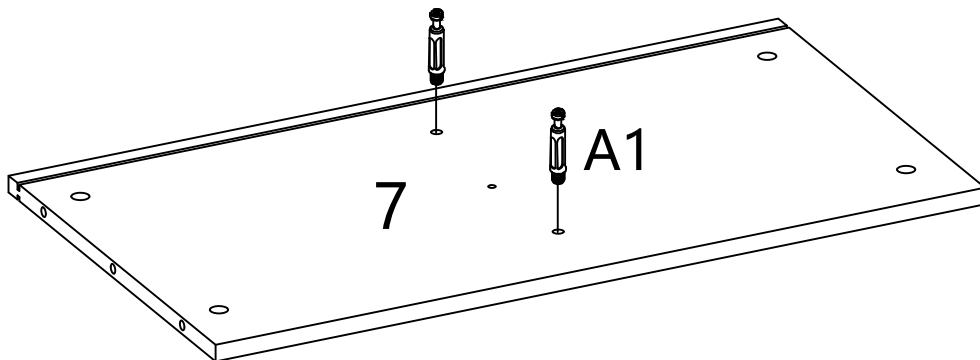
# STEP 2



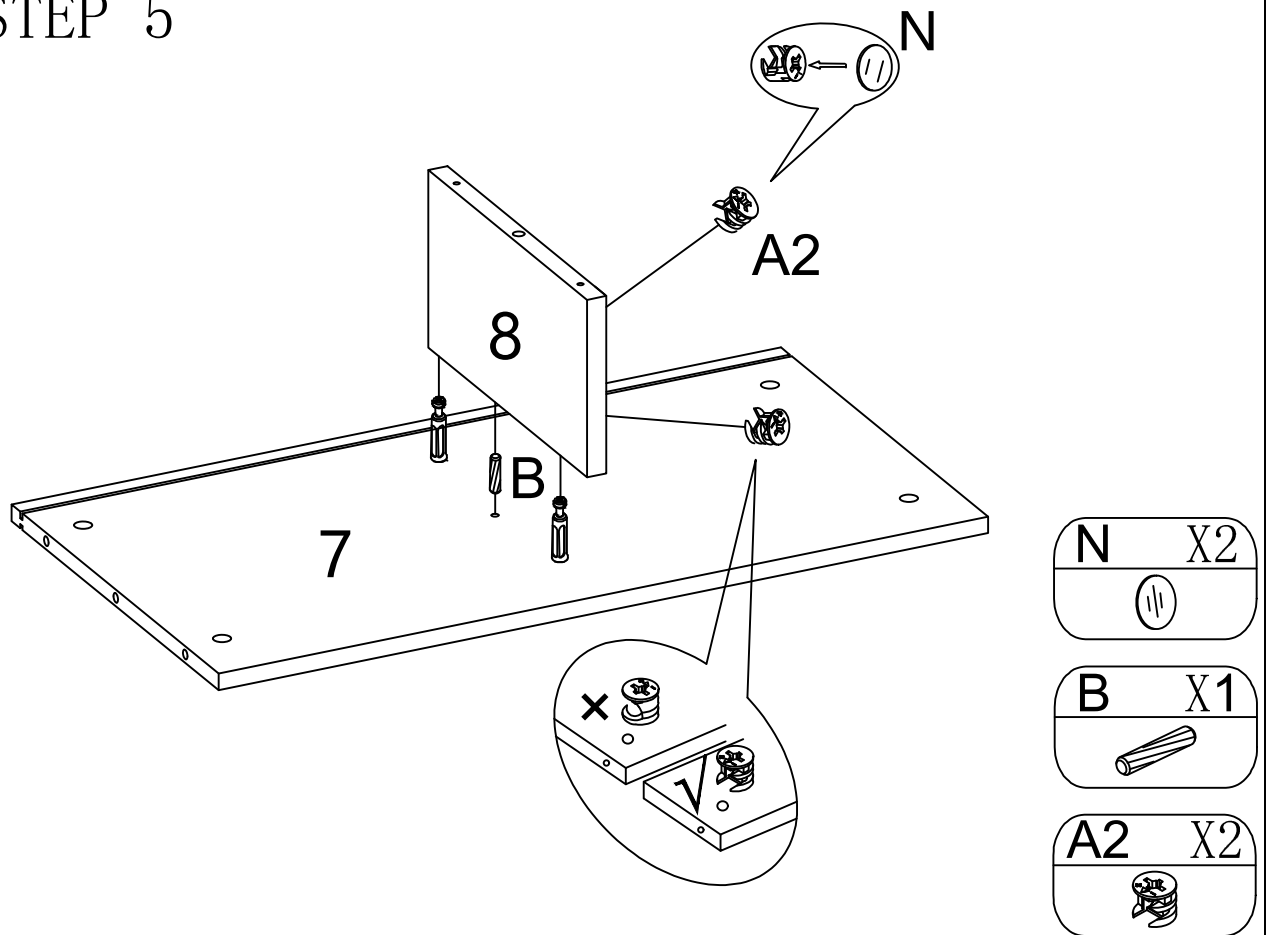
# STEP 3



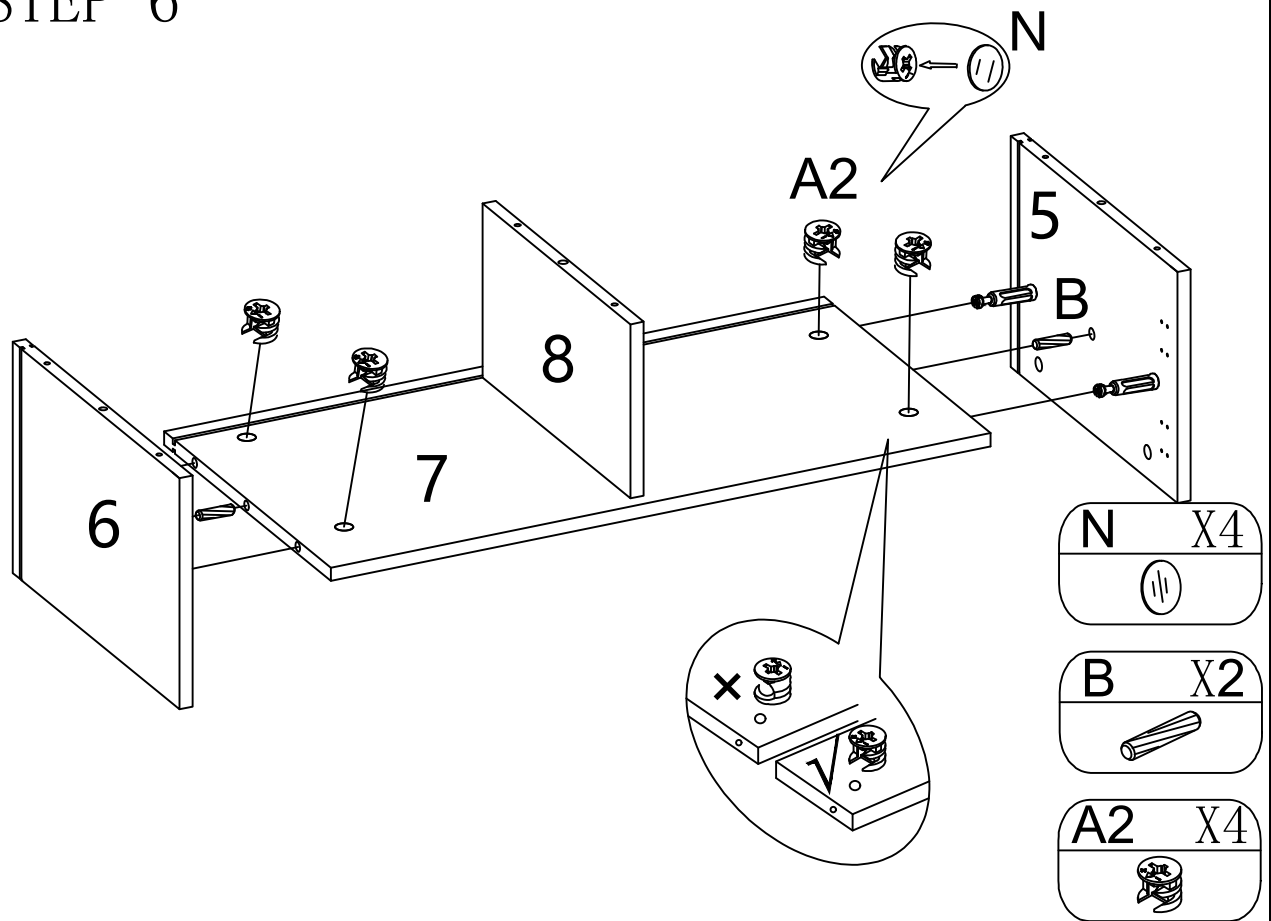
# STEP 4



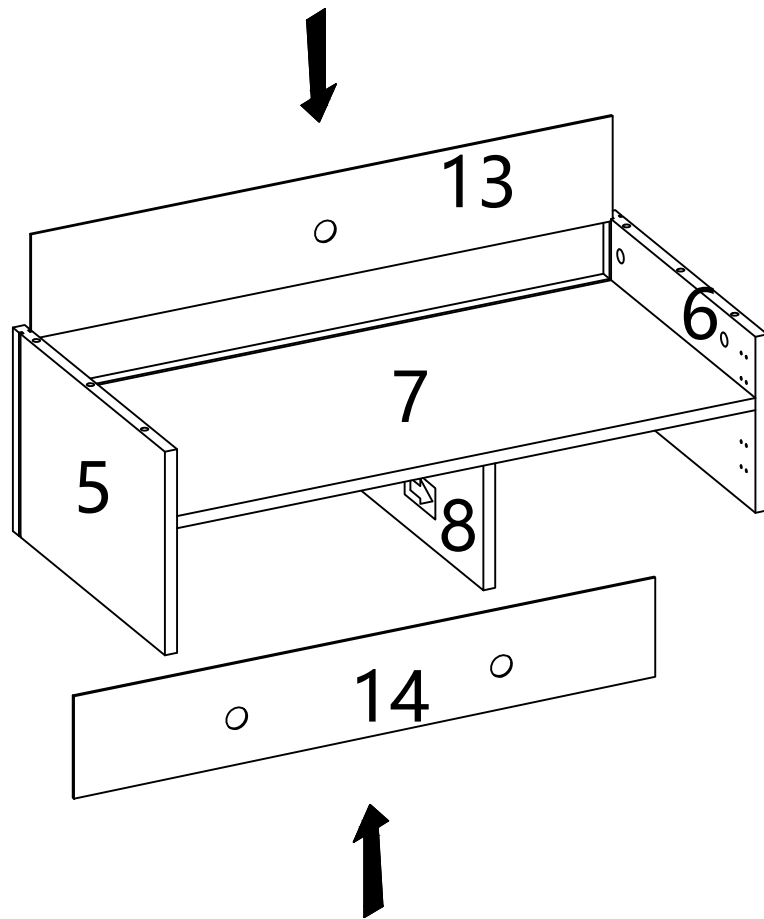
# STEP 5



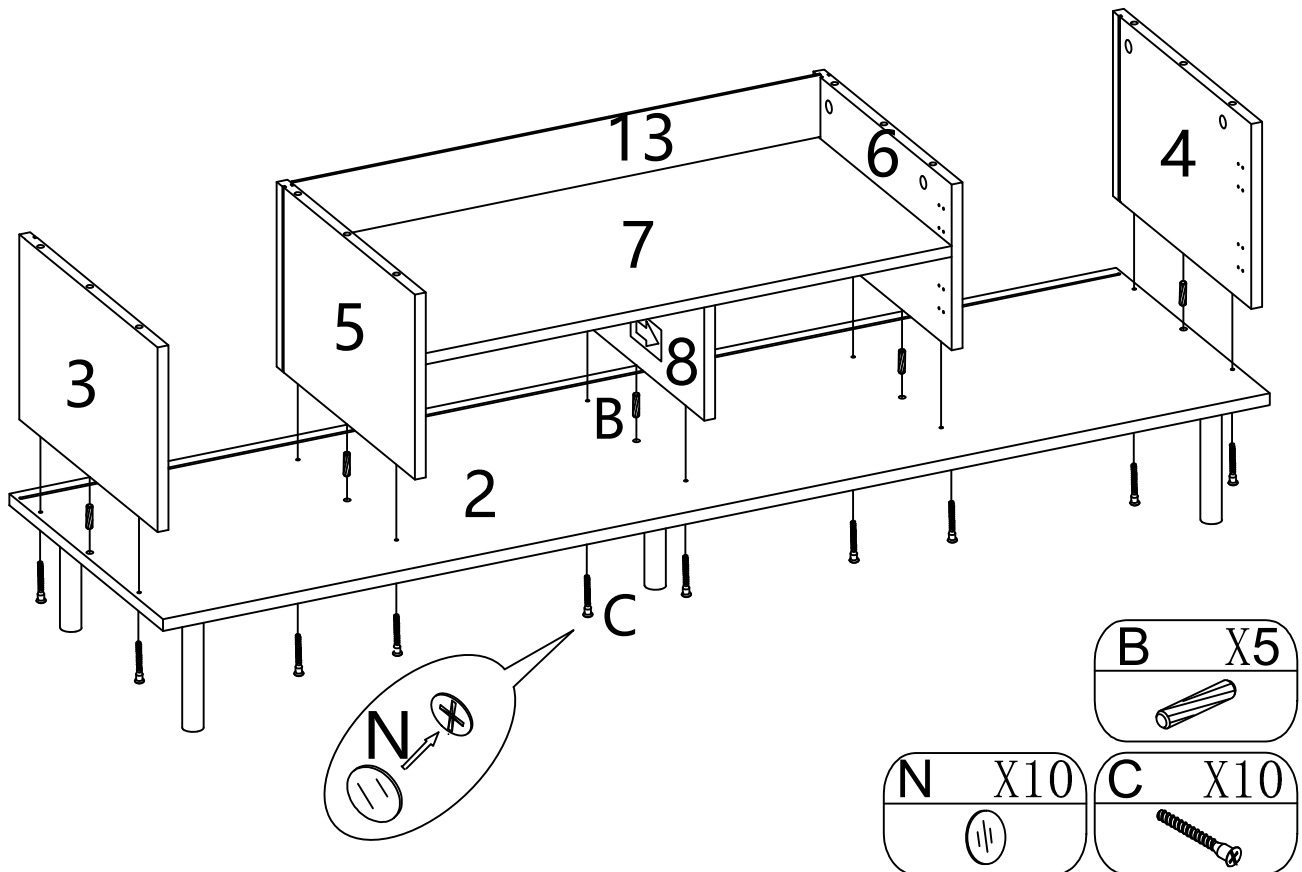
# STEP 6



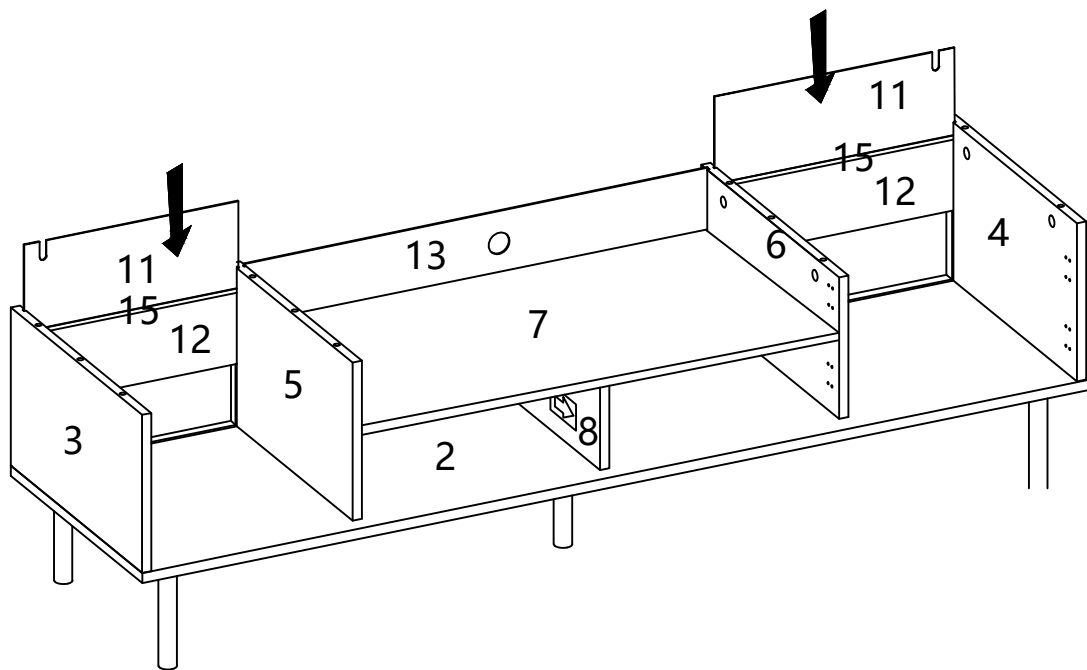
# STEP 7



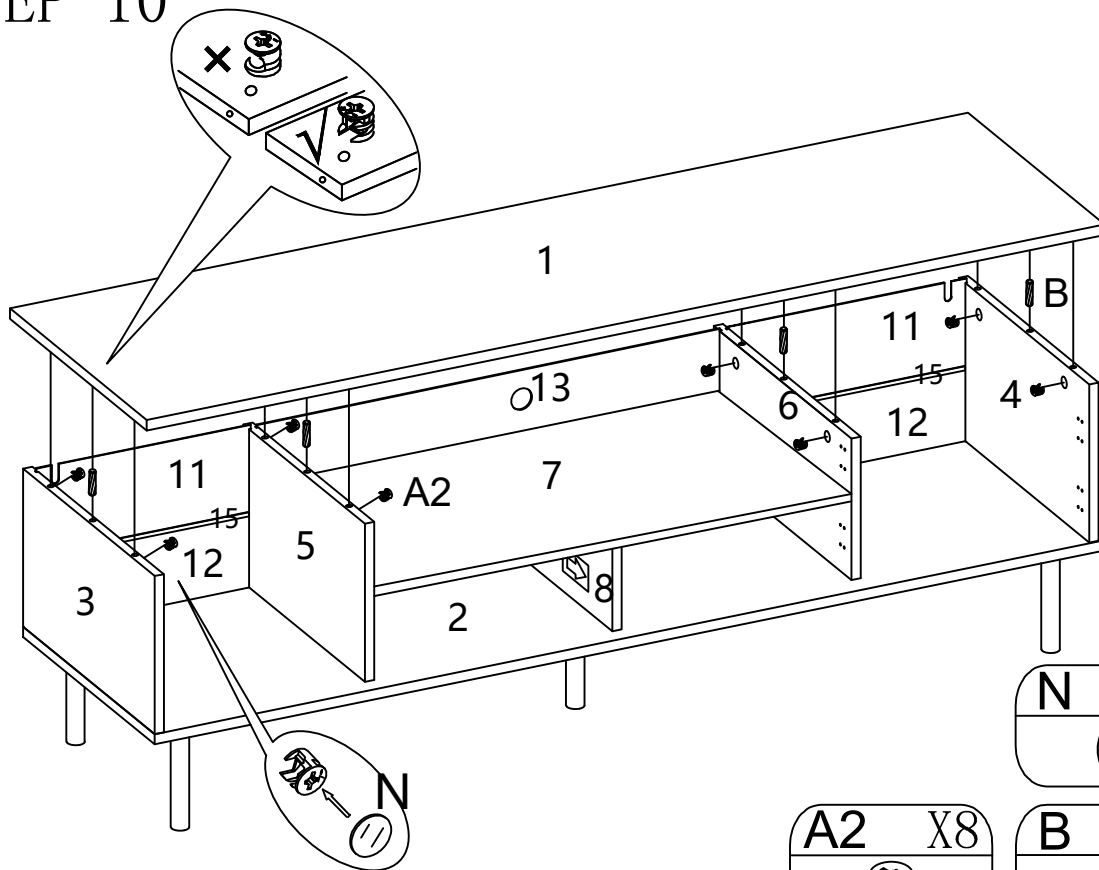
# STEP 8




# STEP 9




# STEP 10



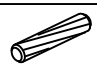
N X8



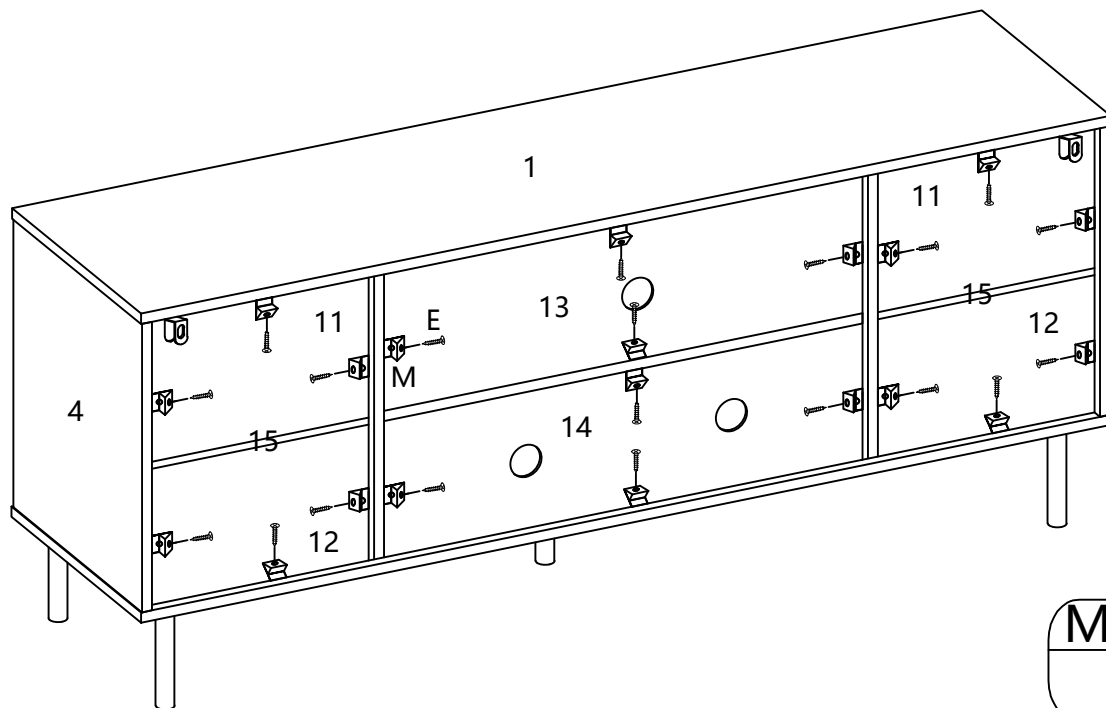
A2 X8




B X4




# STEP 11



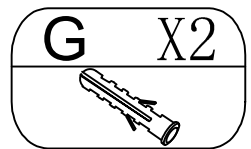
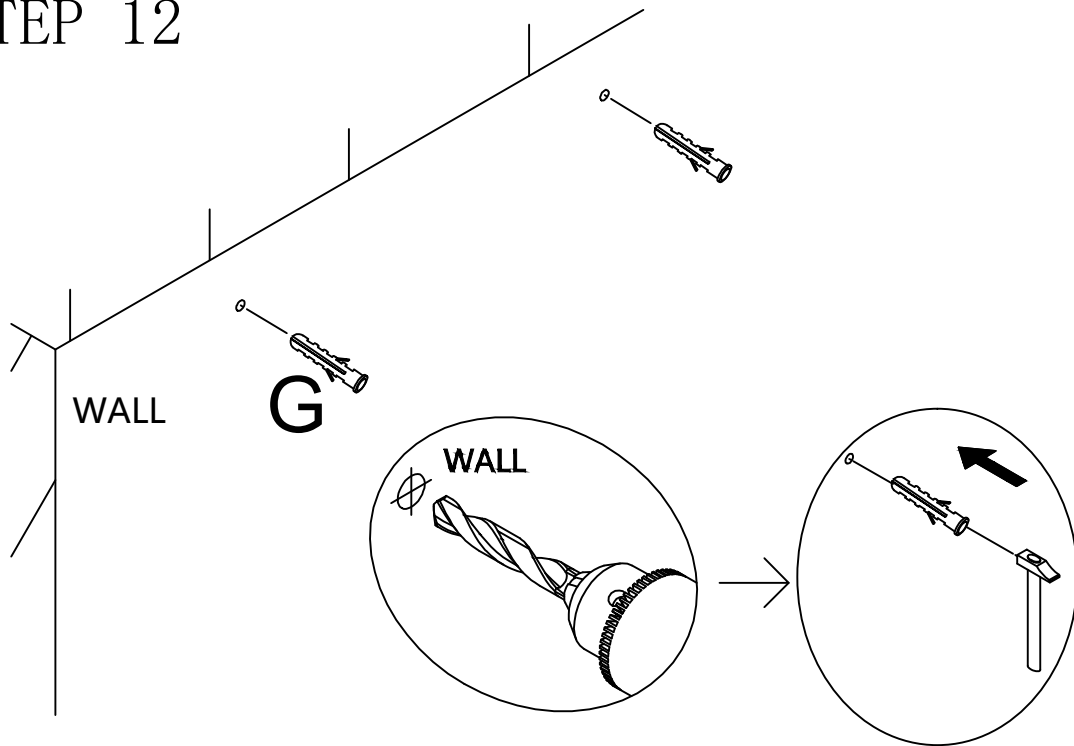
M X20



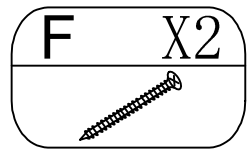
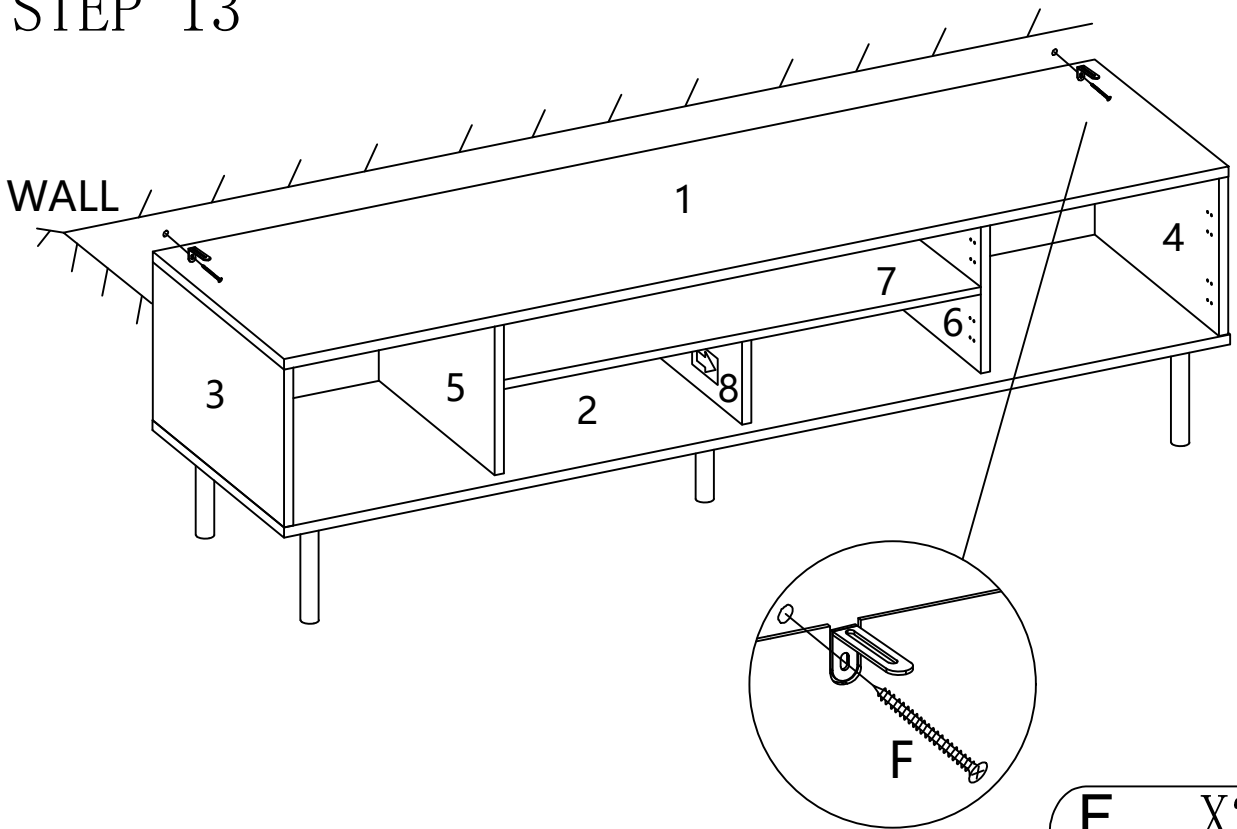
E X20



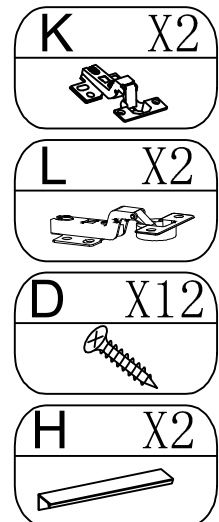
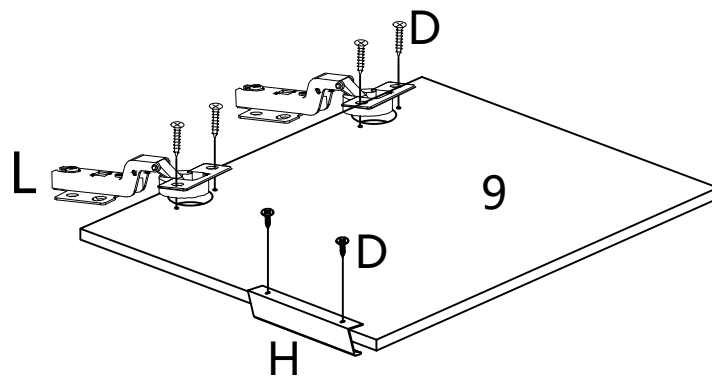
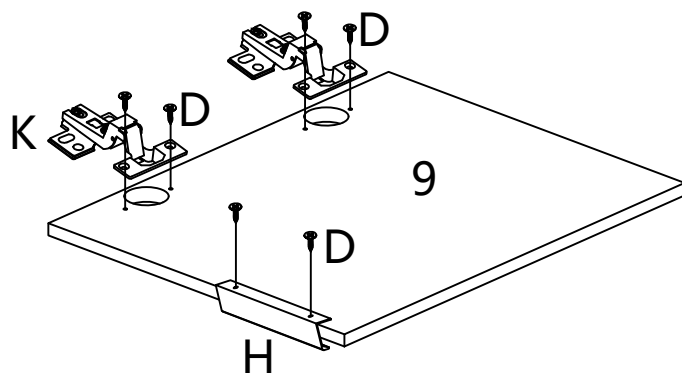
# STEP 12



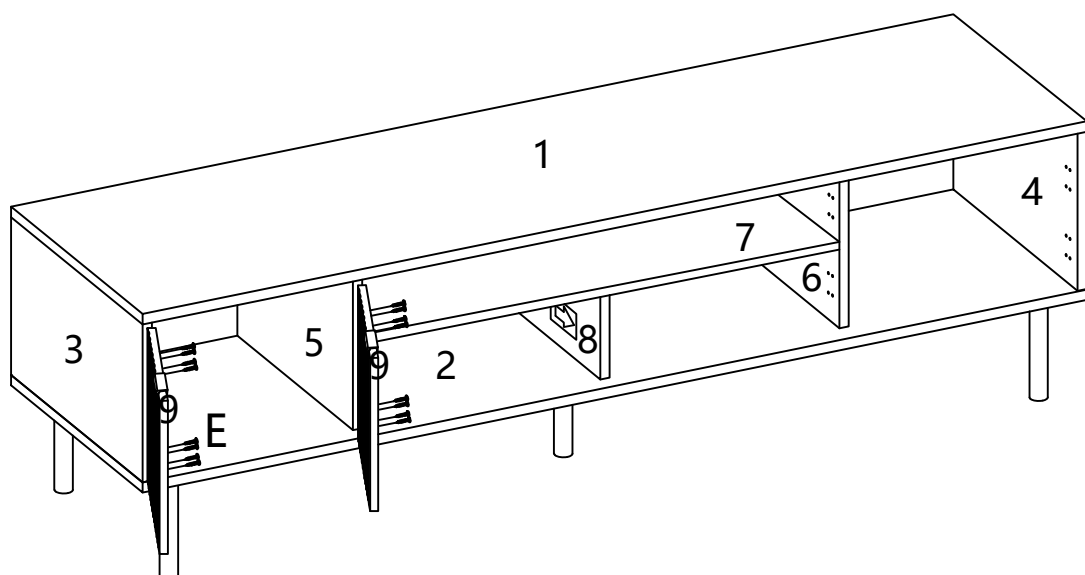
# STEP 13



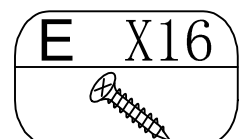
## STEP 14



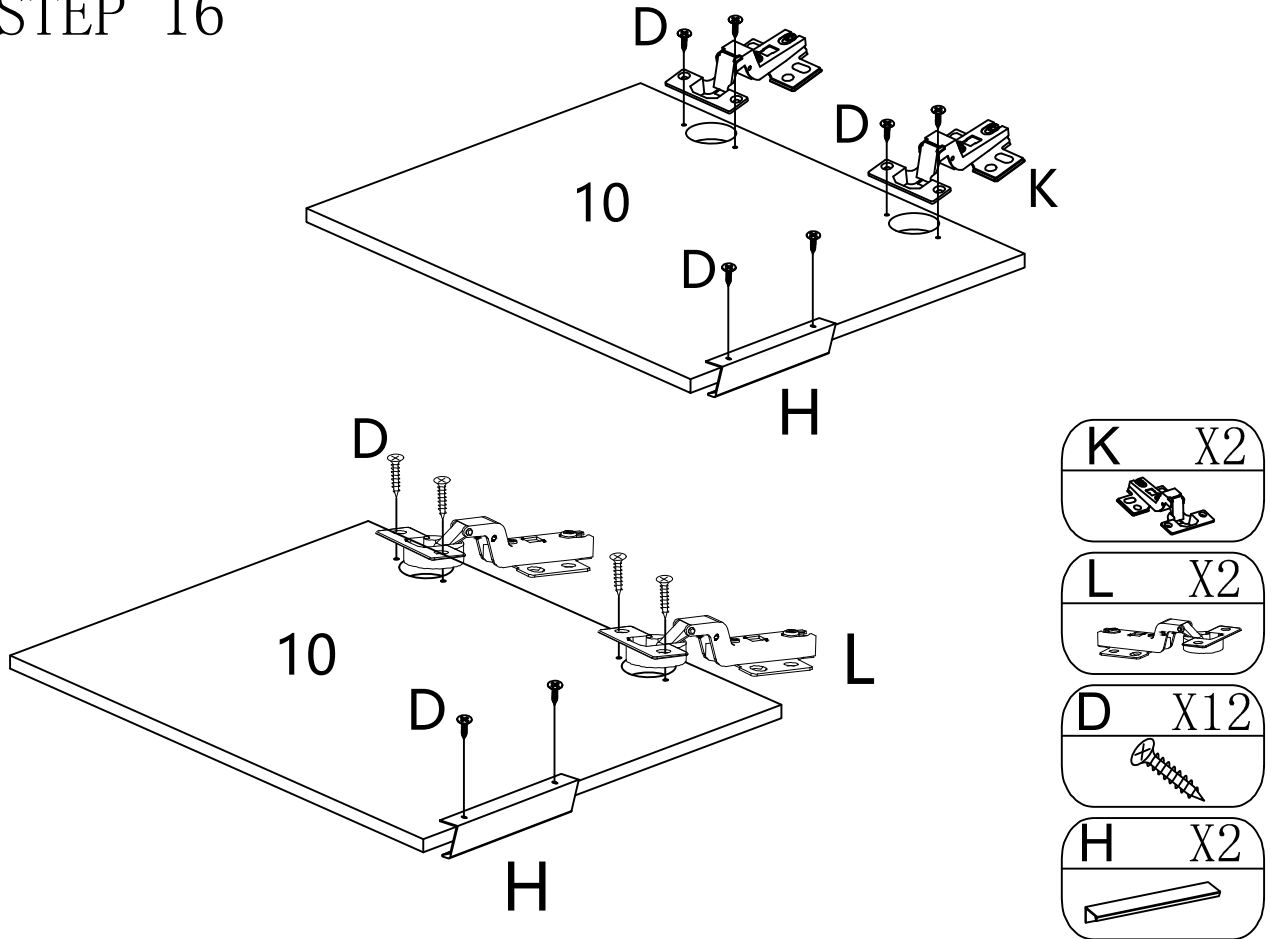
## STEP 15



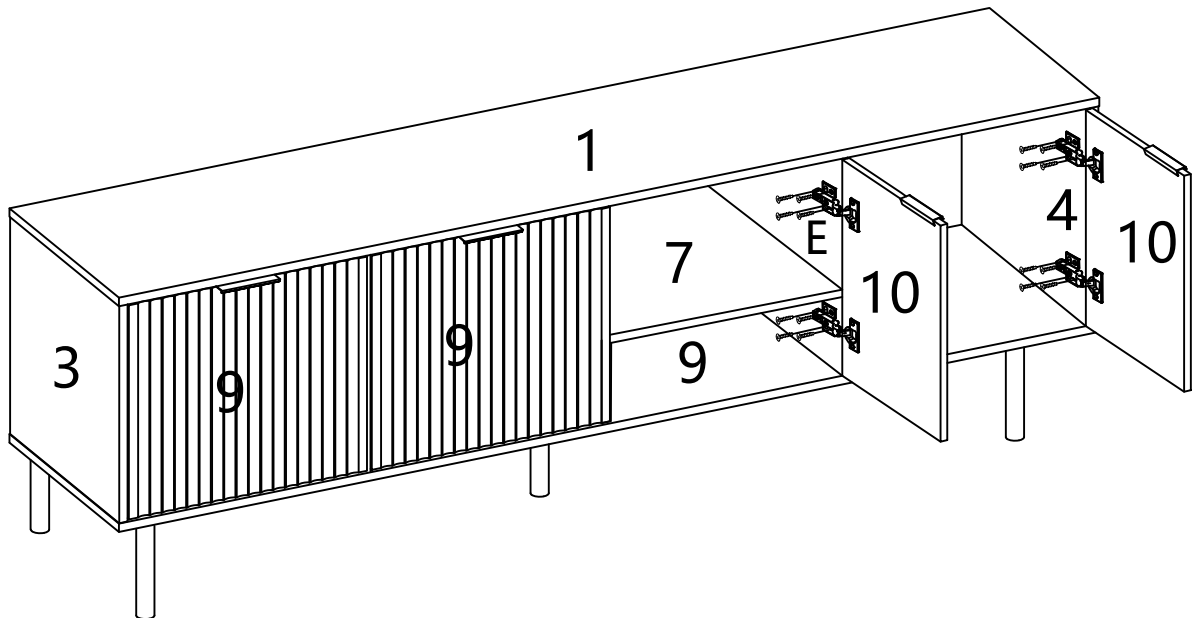
Install the 9th board of K hardware onto the 3rd board; Install plate 9 of L hardware onto plate 5.



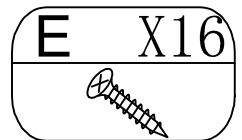
# STEP 16



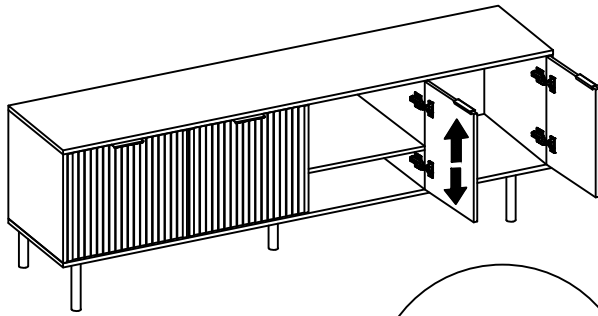
# STEP 17



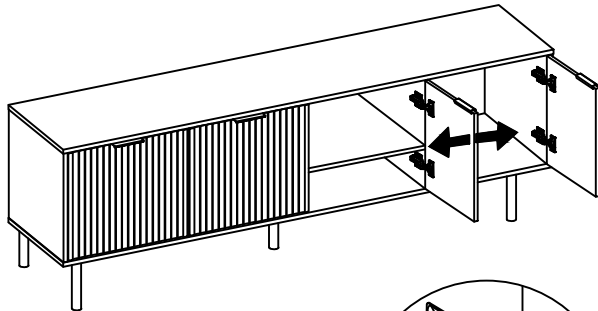
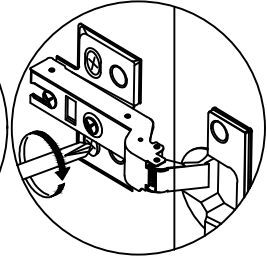
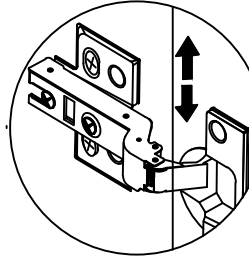
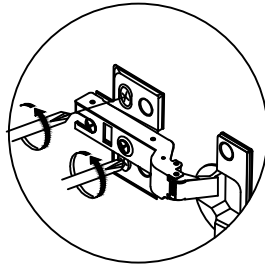
Install the 10th board of K hardware and install it on the 4th board; Install plate 10 of L hardware onto plate 6.



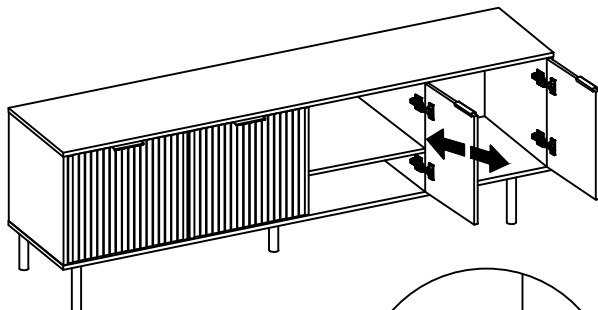
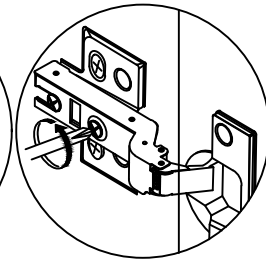
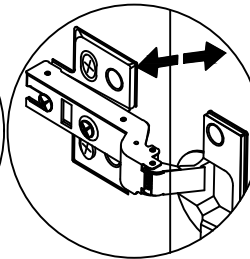
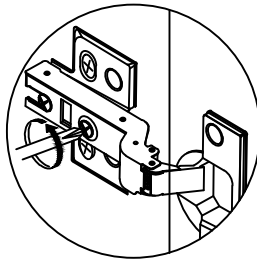
# STEP 18



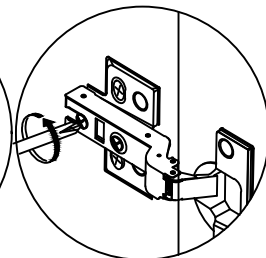
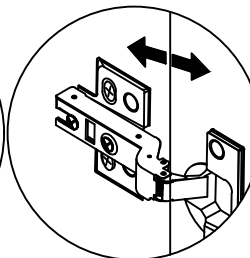
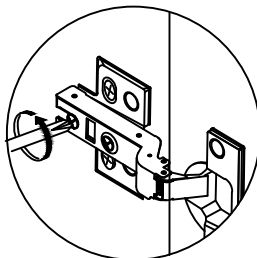
Cabinet door up and down fine adjustment



Cabinet door left and right fine adjustment



Fine-tune the gap after the cabinet door is closed



STEP 19

