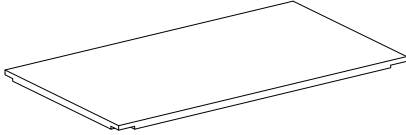


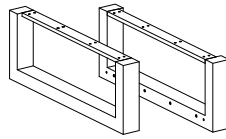
# ASSEMBLY INSTRUCTION

MODEL: COFFEE TABLE

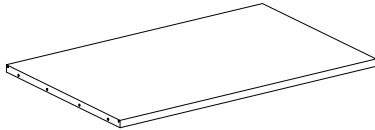
① Top Panel (1pc)








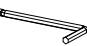
③ Legs Frame (2pcs)

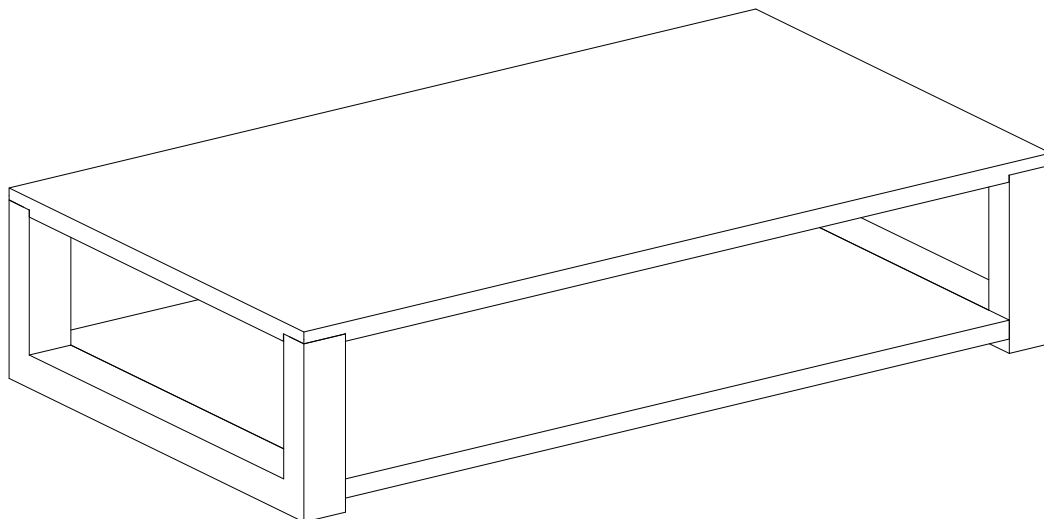


② Shelf (1pc)

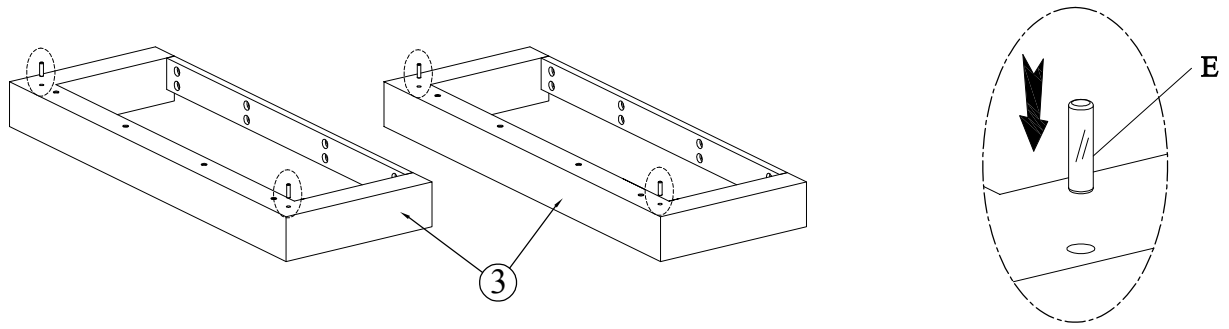


## HARDWARE CHECK LIST

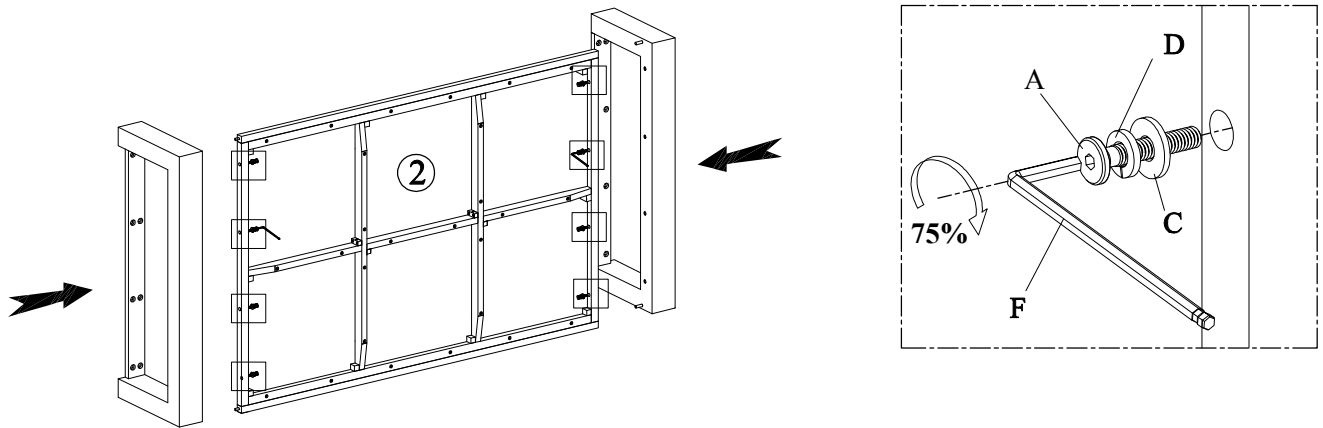
No	Shape	Specification	Q.ty
A		Allen Head Bolts M6 x 55 mm	08
B		Allen Head Bolts M6 x 35 mm	16
C		Washer Ø6 x Ø18 mm	24
D		Lock Washer Ø6 x Ø11 mm	24
E		Dowel Ø8 x 30 mm	04
F		Allen Key 4	01



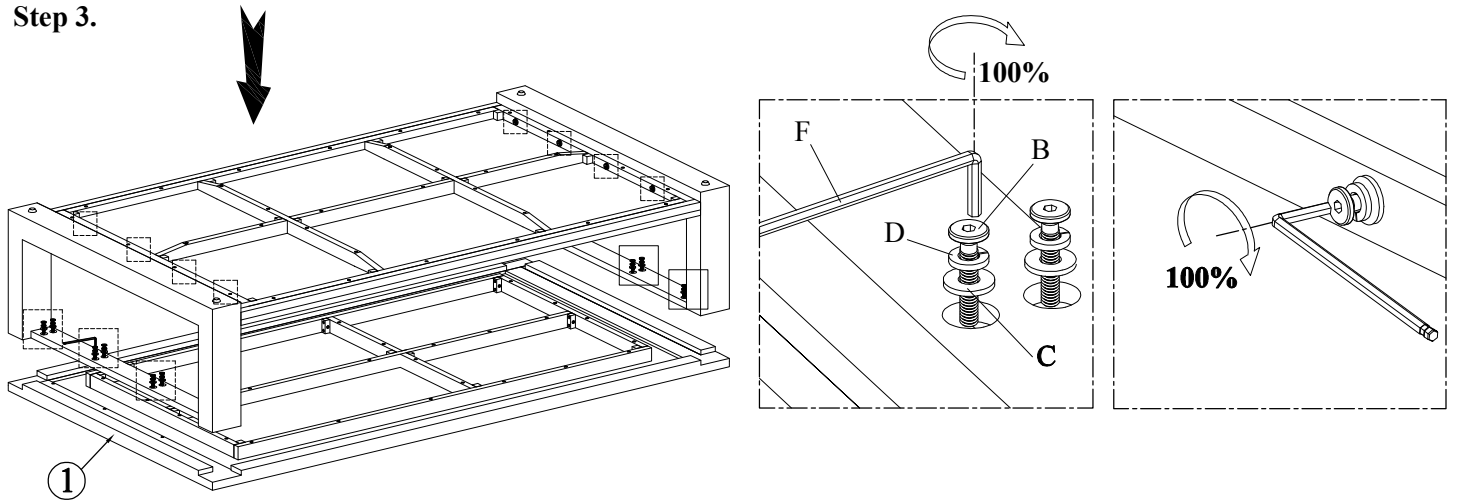
**Step 1.**



**Step 2.**



**Step 3.**



**Step 4.**

