

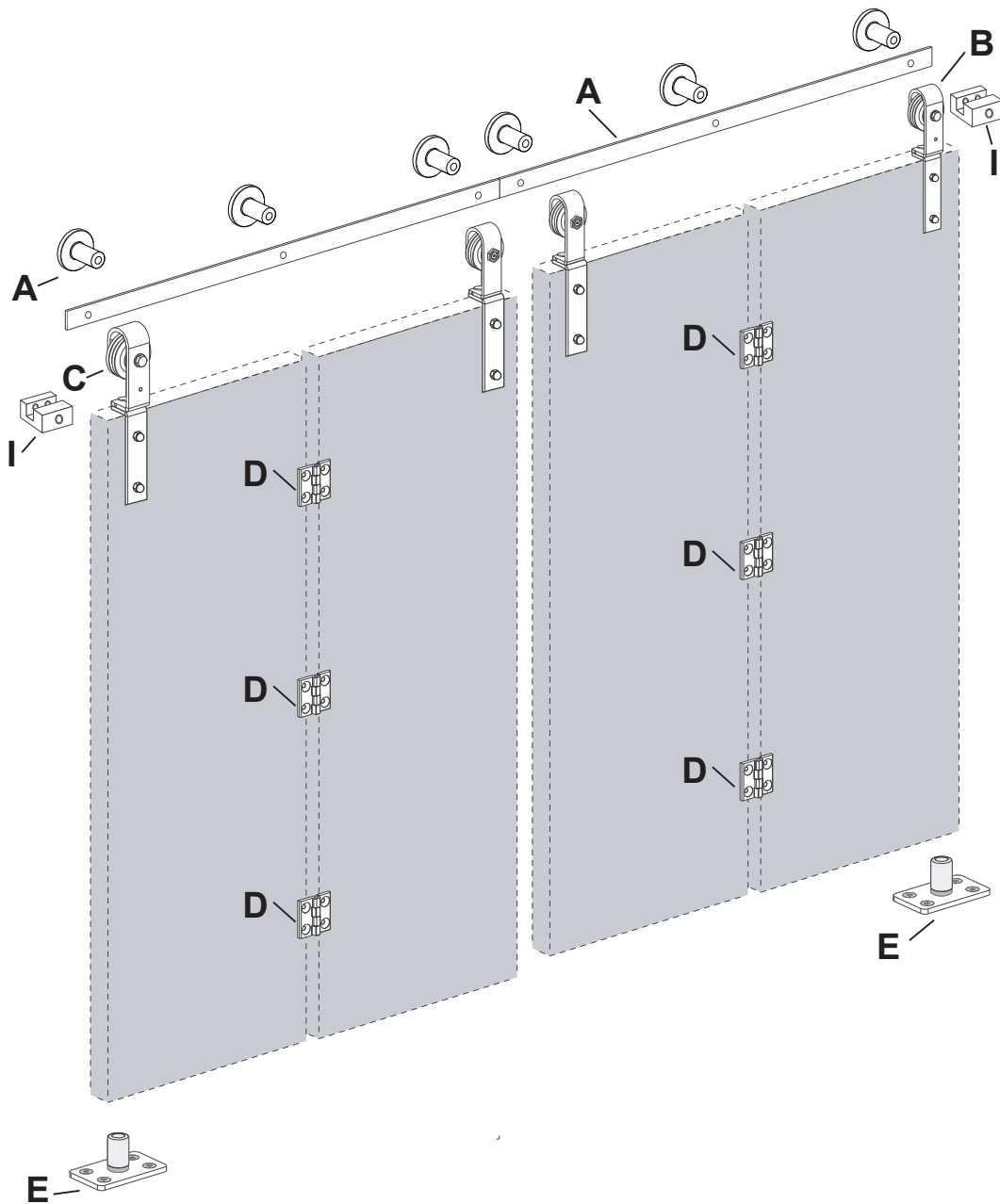
# DOUBLE BI-FOLD BARN DOOR

## INSTALLATION MANUAL

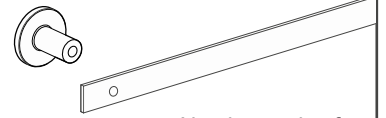
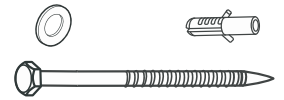
In case of questions or missing parts, please contact

✉ Dootraftersale@gmail.com

### Hardware Included

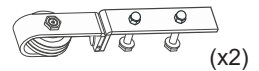


#### A.Track Set (x2)



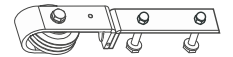
Number varies for different sizes

#### B.Moving Hanger



(x2)

#### C.Fixed Hanger

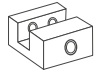


(x2)

#### I. Fixator



(x2)



(x2)

#### D.Hinges



(x6)

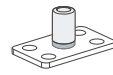


M6x25(x24)

#### E.Floor Mount



(x2)



(x2)



Ø8(x8)



M4.2x32(x8)

#### F.Handles



(x2)



(x4)

**G.Seal Strip (x2)** Only needed when you have 4 doors. Adhere to 1 side of middle door to avoid collision with another middle door

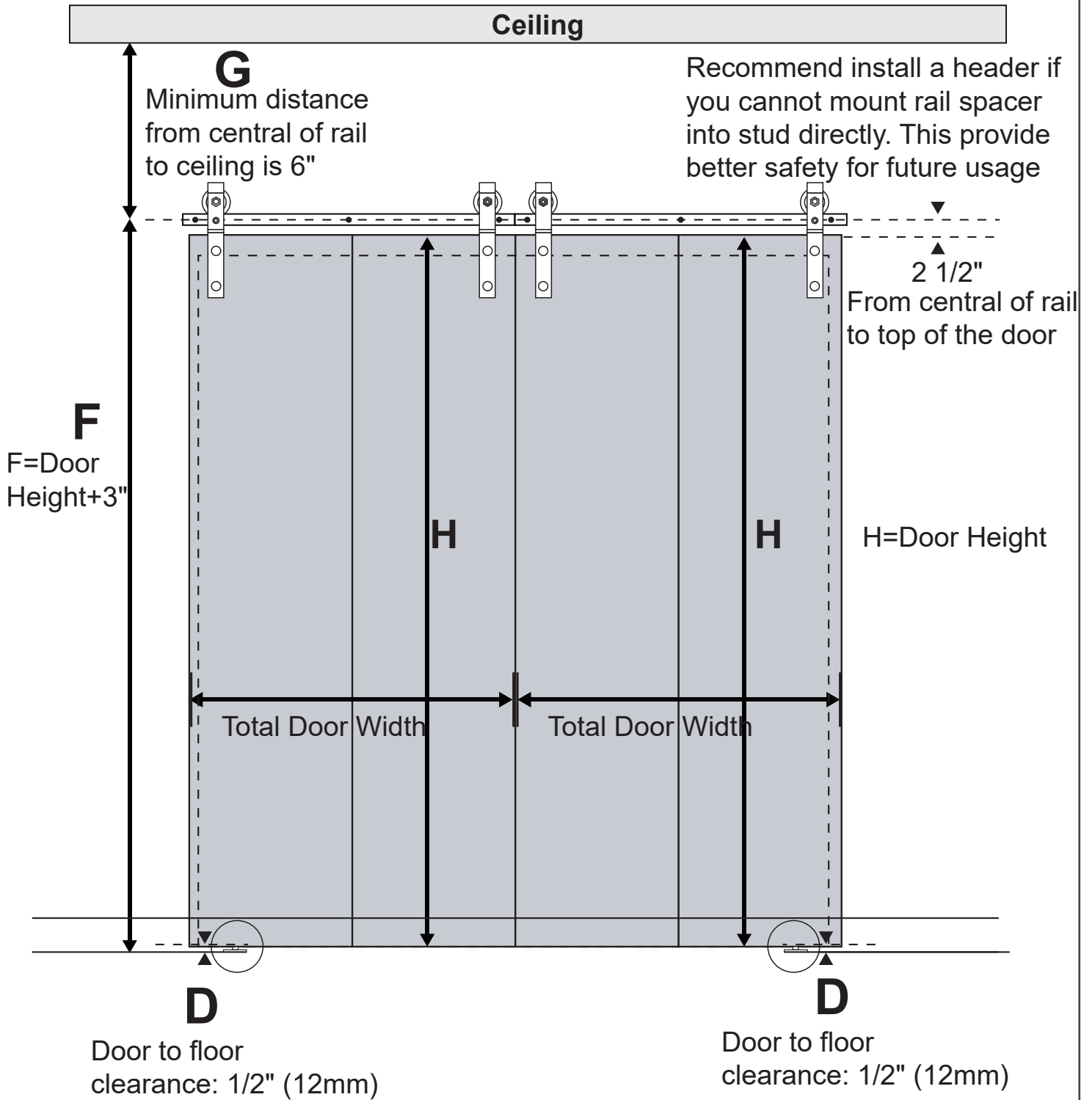


#### H.Allen Key (x2)



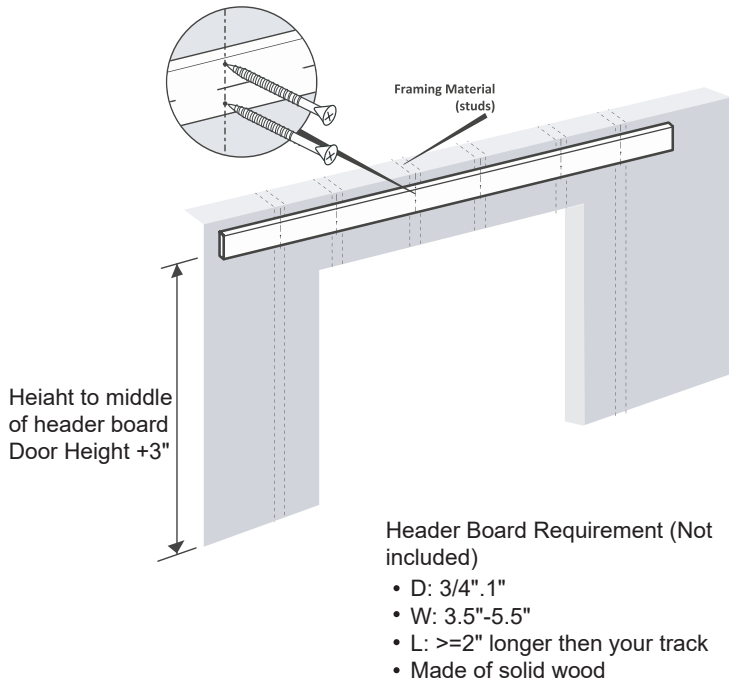
2mm 4mm 5mm

# Measure Before You Start

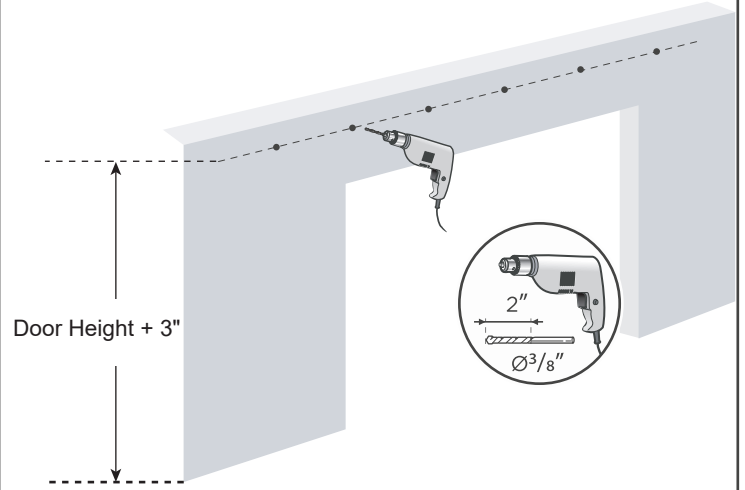


# Track Installation

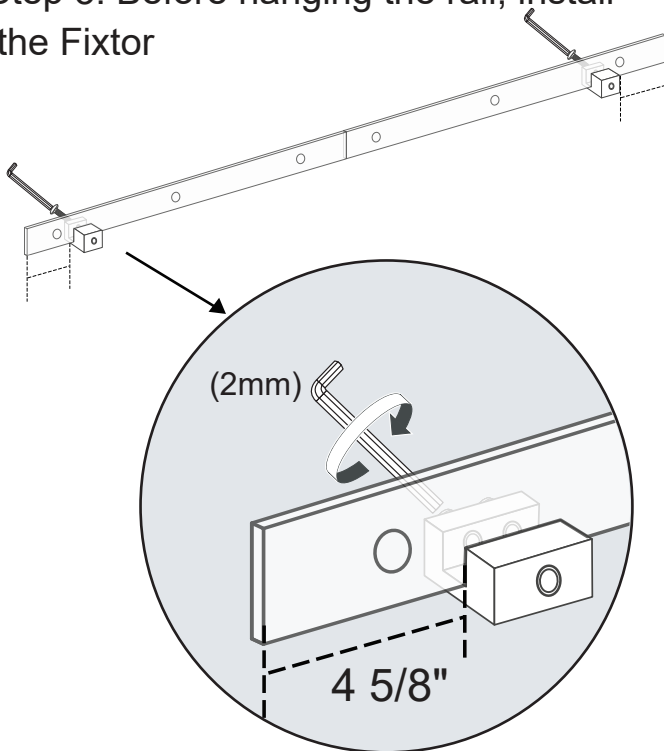
Step 1: Install header board  
(optional, if you cannot install rail  
spacer directly to the studs)



Step 2: Pre-drill holes



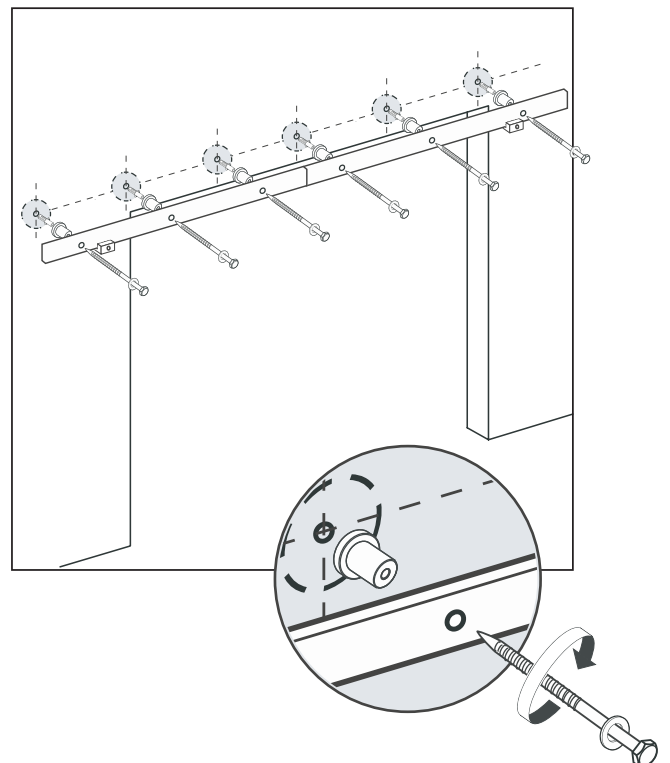
Step 3: Before hanging the rail, install  
the Fixtor



The edge of the fixtor should be 4 5/8" away from the edge of the rail, and use a 2mm allen key to tighten the screws behind the fixtor.

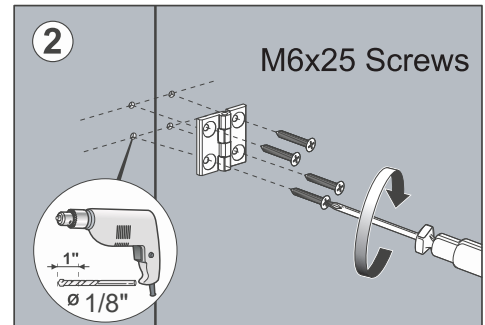
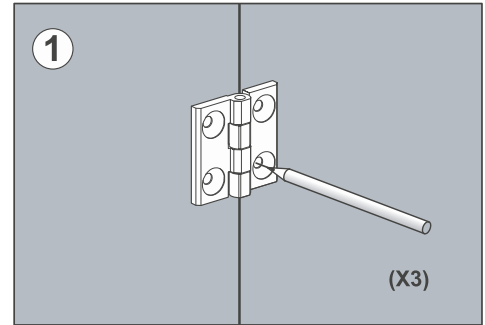
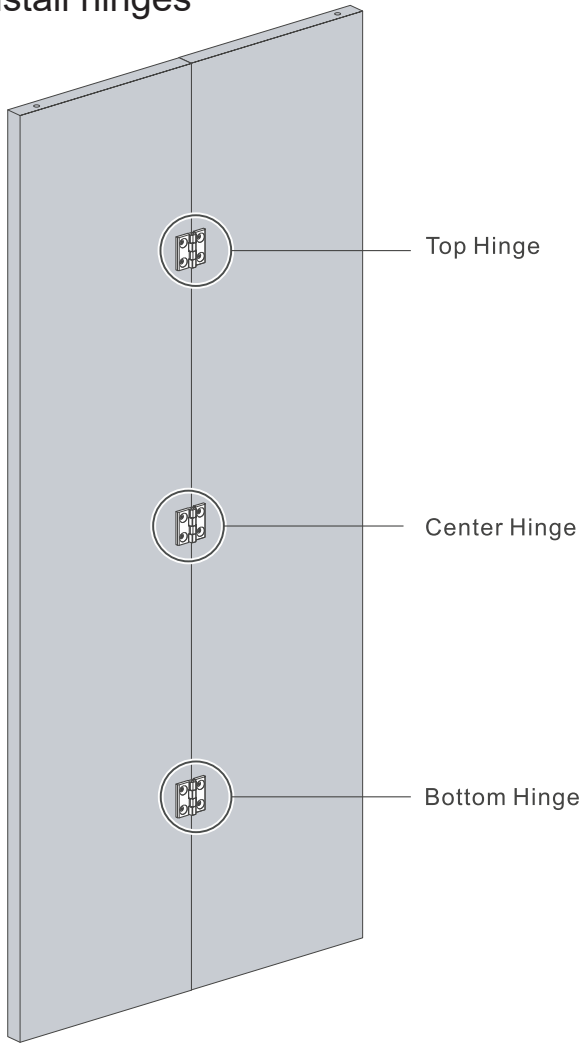
Step 4: Install the rails to the wall

Install 2 tracks separately (no need to connect).  
Make sure 2 tracks are on the same height for  
aesthetic



# Prepare the Door (Replicate for 2 Doors)

## Step 1: Install hinges

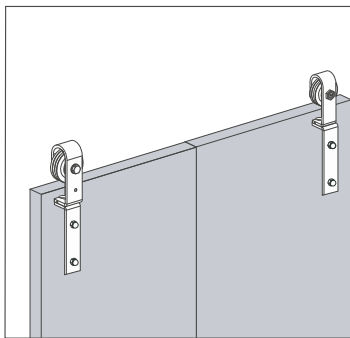


Bit diameter: 1/8" (3mm)  
Borehole depth: 1" (25mm)

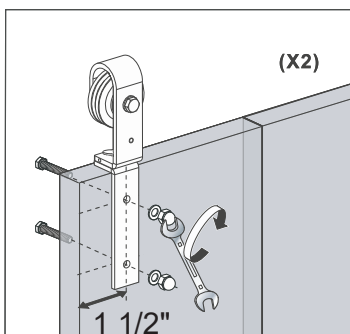
If you purchase door from us, the hinge holes has been pre-drilled.

Use the M6x25 screws to fasten the hinges

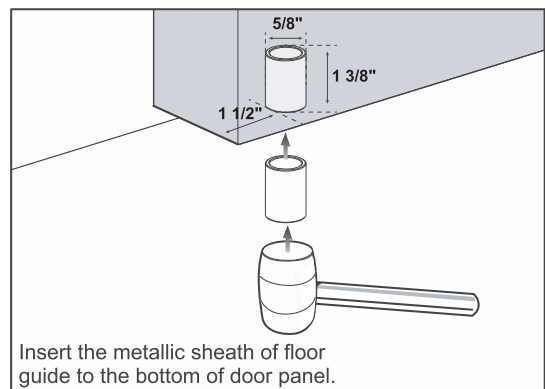
## Step 2: Install door hanger



Our doors have pre-drilled holes



## Step 3: Install sheath to bottom of door



Insert the metallic sheath of floor guide to the bottom of door panel.

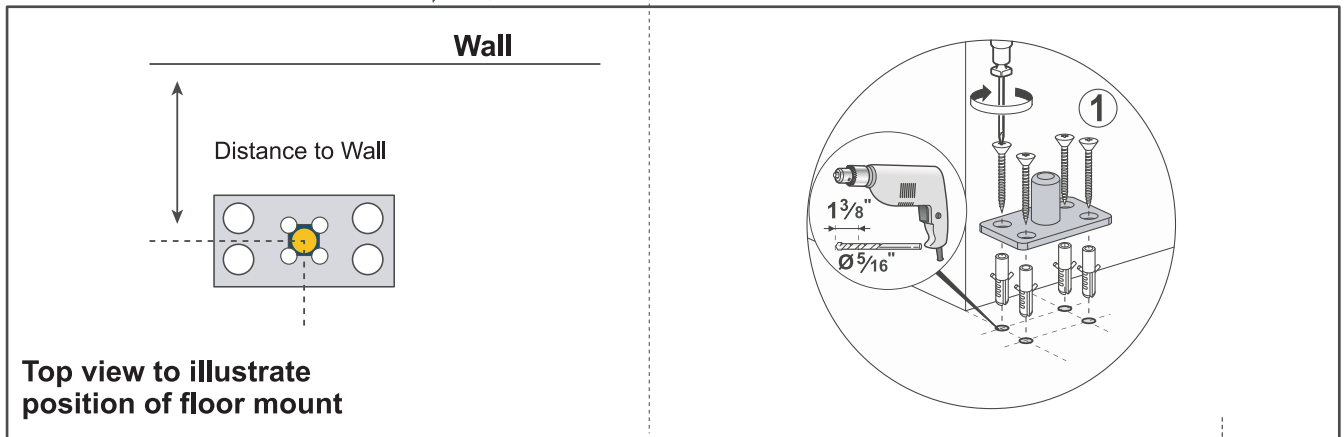
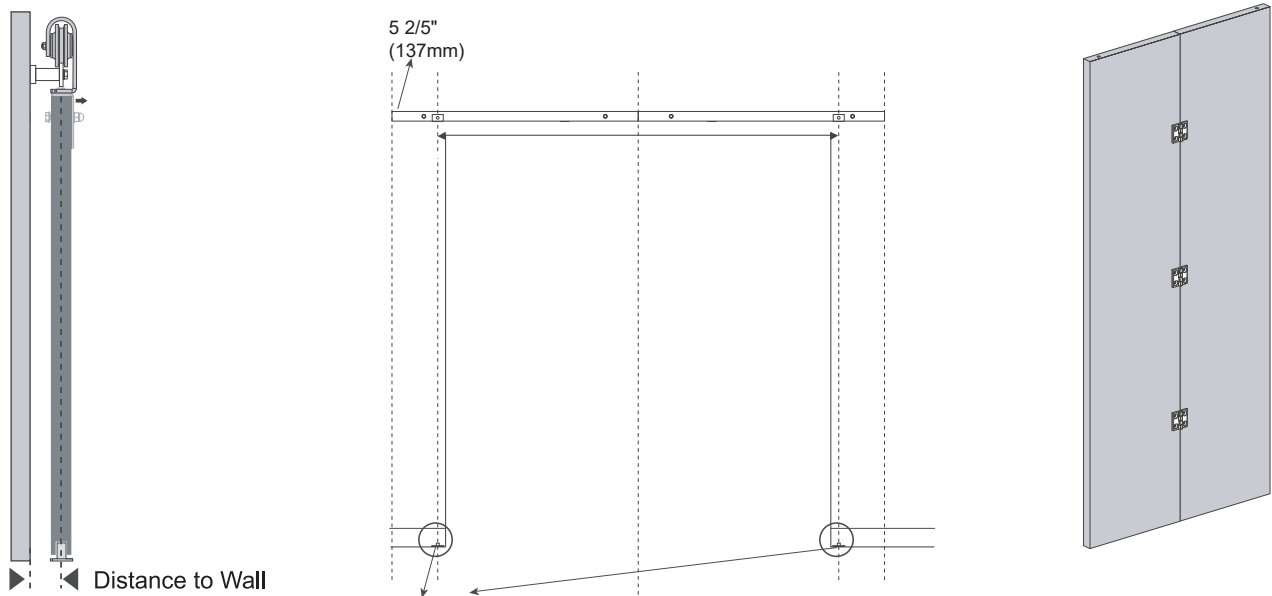
- If you want to open the door left swing, install the sheath at bottom left, and vise versa
- Our doors have pre-drilled holes. If you purchase a new door, drill a 5/8" diameter and 1 3/8" depth hole, at the central of door thickness, and 1.5" away from the edge of the door

# Hang the Door

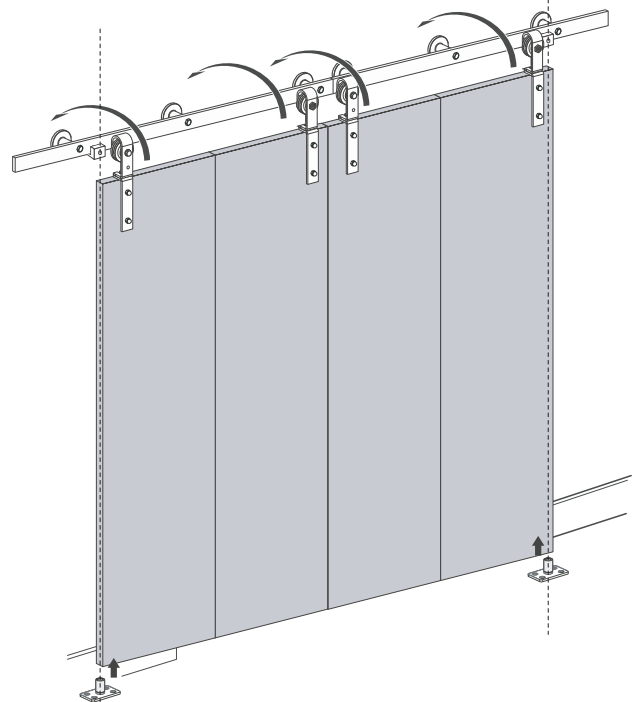
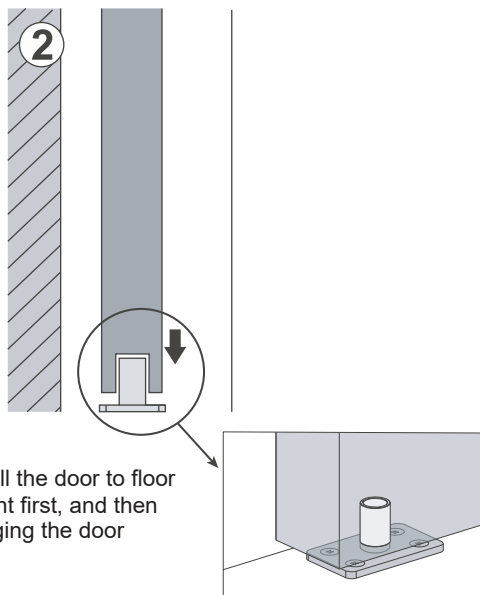
## Step 1: Position the floor mount

Position the floor mount, It's crucial the central of floor mount is exactly align with the central of fixed hanger. We recommend you use tools like plumb line or laser level

Fixed the floor mount with screws

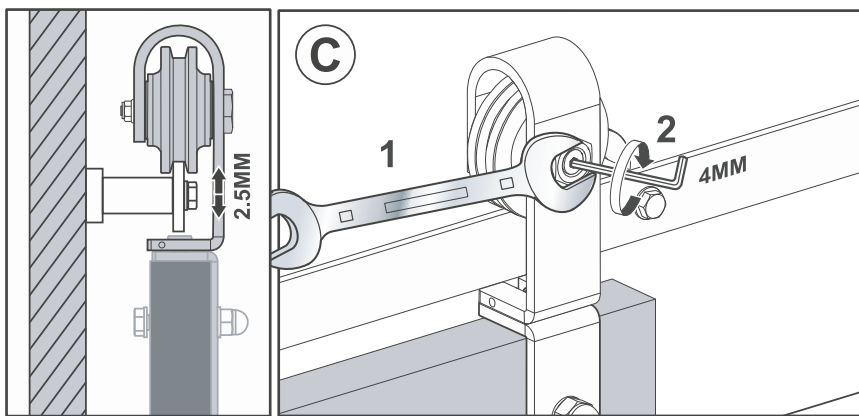
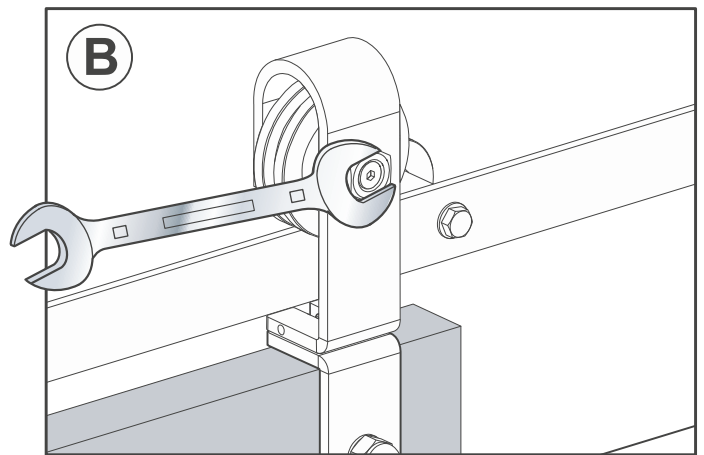
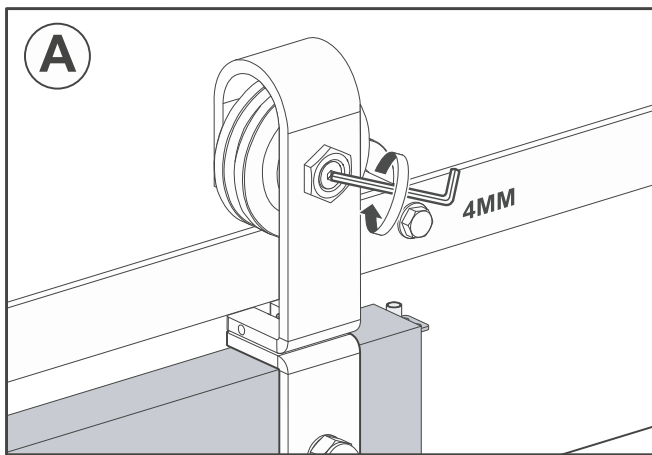


## Step 2: Hang the Door



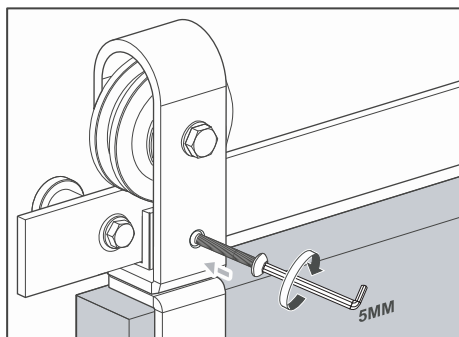
# Hang the Door (Replicate for 2 Doors)

## Step 3: Adjust Moving Hanger



If the height of 2 doors are uneven, align them by adjusting the height of moving hanger as shown above (Adjustment range 1")

## Step 4: Fix the Fixed Hanger



The screw should pass through the hole on hanger, the hole on fixator plate and contact with the track by using 5mm Allen key.

# Hang the Door

## Step 5: Attach the Door Handle

Please predrill the holes for handle by using a 3/16 " drill bit

