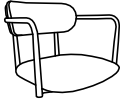

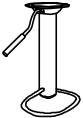



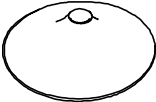
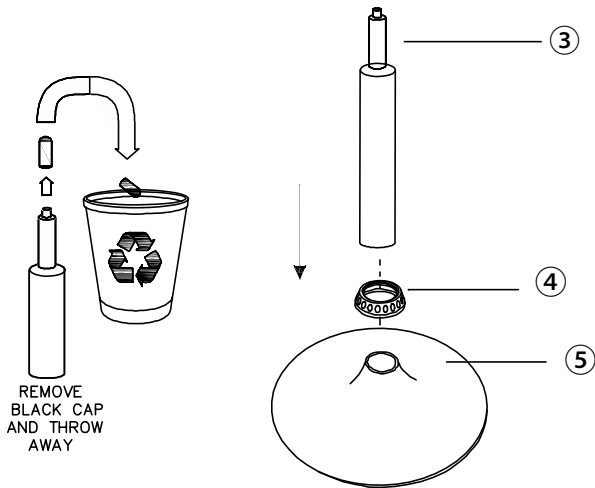


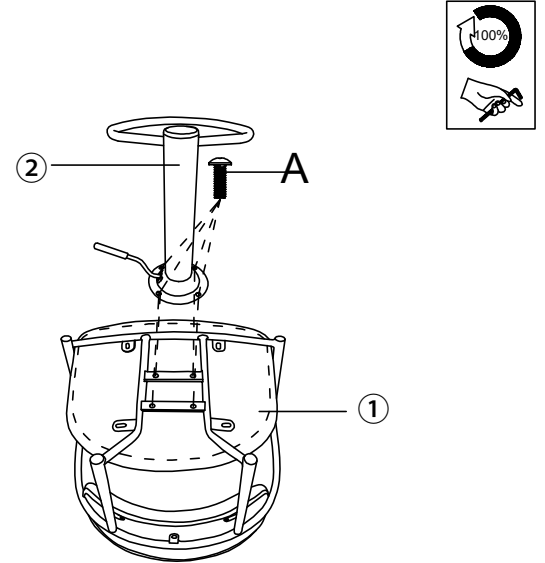
Assembly Instruction

①*1 pc		A*4+1EXT	 M6*10MM
②*1 pc		G*1	 M6
③*1 pc			
④*1 pc			
⑤*1 pc			

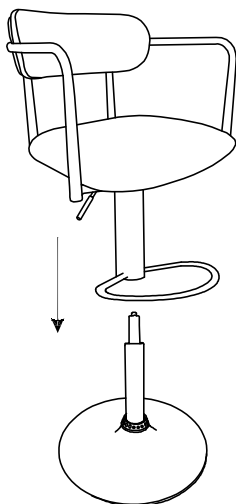
STEP 1



STEP 2



STEP 3



STEP 4

