



6' x 3' Grand Garden Chalet with Cedar Roof



Looking for convenient storage close to you garden or deck?

Kit Includes:

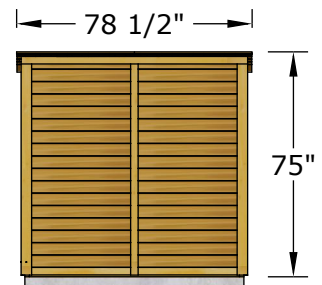
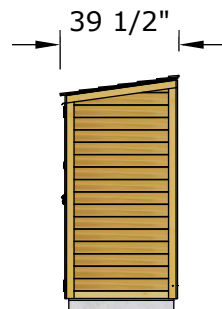
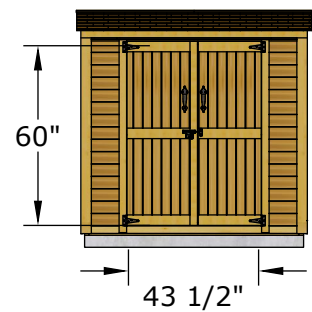
- 2 Adjustable Shelves for Versatile Storage Options
- Western Red Cedar Double Door, Trim & Floor
- Quick and Easy Assembly, no Cutting Required
- Accepts a Wide Range of Paints, Stains, and Finishes
- Panelized Walls, with Painters Choice Siding
- Hardware Included (screws and nails).

Item# GGC63-FJ-CEDAR

Revised:
March 27, 2025

SPECIFICATIONS

- A: Floor Footprint = 73" x 35"
- B: Overall Width Incl. Roof Overhang = 78 1/2"
- C: Overall Depth Incl. Roof Overhang = 39 1/2"
- D: Overall Height Incl. Floor & Roof = 75"
- E: Max Interior Height = 69 1/2"
- F: Door opening = 43 1/2" Wide x 60" High



Shipping Pkg Size: 43" w x 84" d x 17" h
Shipping Weight: 395 lbs