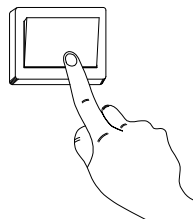
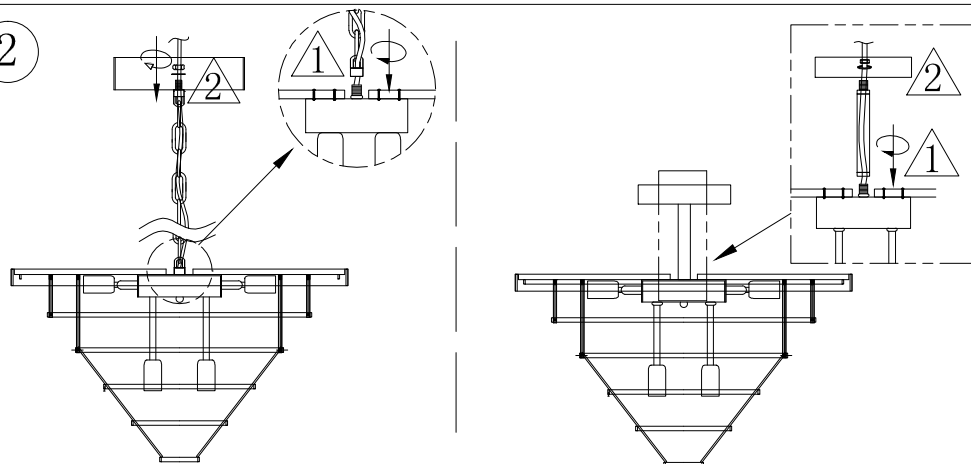


INSTALL INSTRUCTION

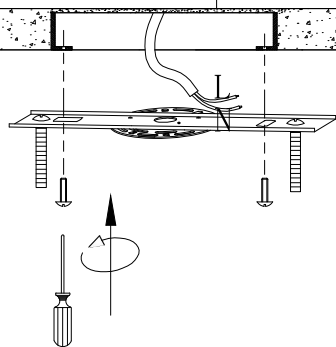
①



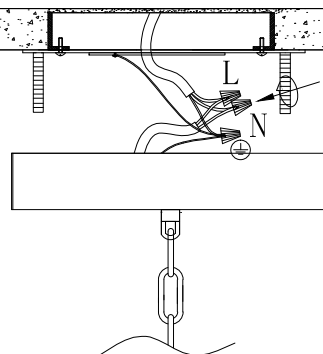
②



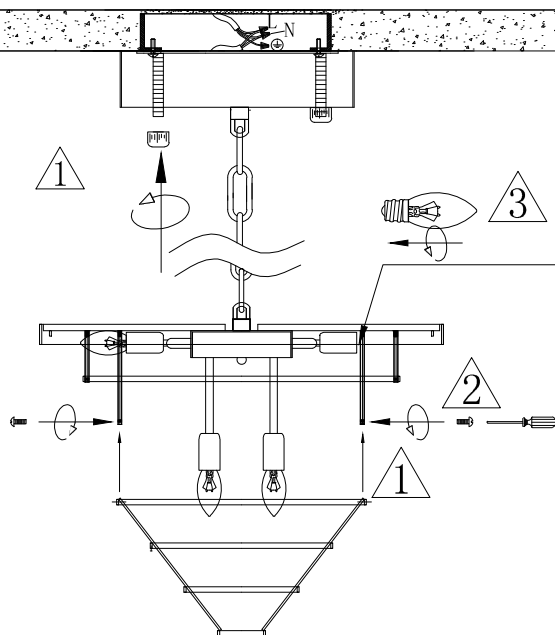
③



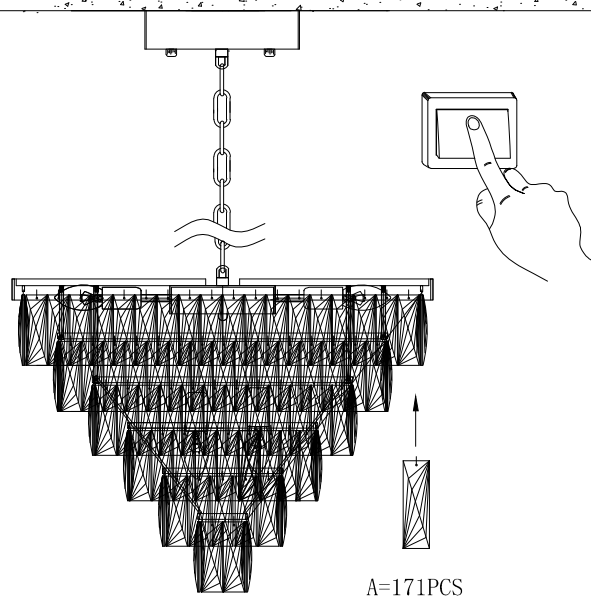
④



⑤



⑥



A=171PCS

- | | |
|--------------------------|--|
| ① turn off the power | ④ Connect the tooth tube and the hanging piece, adjust the rotating iron ring, fix the emperor cover |
| ② Padlock panel | ⑤ Lock the rack, and then lock the light bulb |
| ③ Connect the power cord | ⑥ Hang the crystal blocks, then connect to the power |