

(Table lamp)

Set of two glass shade hollowed out hardware table lamps with night light

■ Specification

Voltage: 110-130V

Wattage: 60 Watt Max

Material: Metal & Glass

Color: Black

Lamp holder: E26

Bulb info: A19 6W 2700K

Switch control: ON/OFF

Dimensions: 12.5in/318mm(D)*25in/635mm(H)

Shade size: 12.5in/318mm(D)*9in/228mm(H)

Base size: 5in/130mm(D)*1.35in/35mm(H)

Wire Length: 59in/1500mm

Usage: Indoor use only

■ Easy Installation

1. Put the 3 support frames on the lower ring to the upper ring.
2. Lock the tooth tube to the Socket Assembly.
3. Put the glass shade and base over the dental tube and lock it with a butterfly nut.
4. Attach two legs of the lamp harp to the saddle.
5. Install the bulb.
6. Fix the lampshade on the lamp harp.
7. Screw the finial to secure the lampshade.

Replace the nightlight bulb

A. Remove the top grain and separate the base from the lamp body to expose the night light bulb.

B. Replace the light bulb.

C. Lock the base and the lamp body with the top grain.

■ Package Include

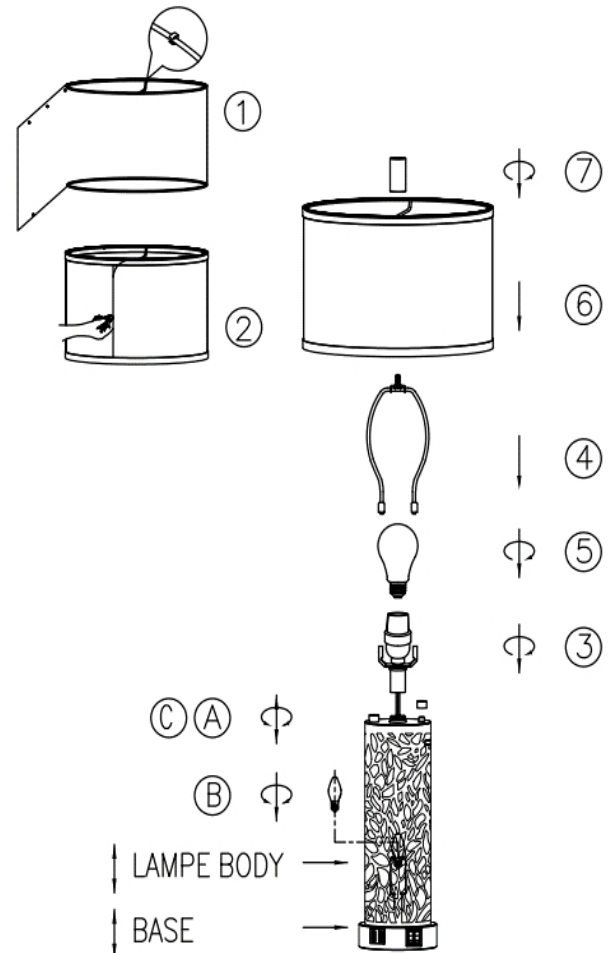
2 x Lampshade

2 x Finial

2 x Lamp Base

2 x Harp

1 x User Manual



■ Attention

1. If you want to change the 2700K vintage Led bulb included, incandescent light bulbs less than 60W are greatly recommended. Not all Led bulbs are fully compatible with the dimmer system of the lamp, so it may cause to flicker or lose dimming function with other Led bulbs.
2. The bulb will increase the brightness when it is reaching its lifespan or has partial short-circuit. At that moment, please switch off, change a bulb and use it as you would normally.
3. The total current of two usb charging ports is 2.1A. If two devices are charged at the same time, the current will be distributed.
4. Please shut off the power and unplug it before you screw in a new bulb.
5. Don't put the lamp in overheating working condition or cast it into fire.