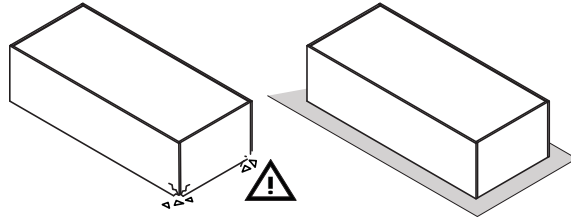
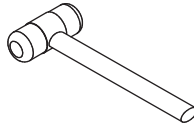
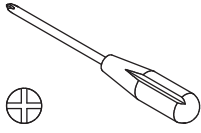
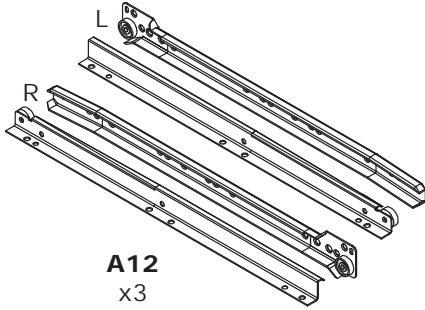


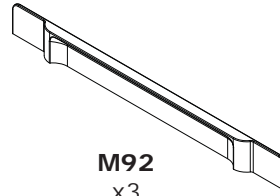
1h



**BU2943**

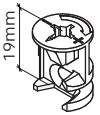


**A12**  
x3

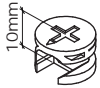


**M92**  
x3

**BU2924**



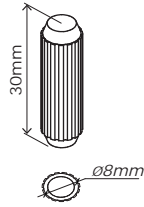
**T97**  
x4



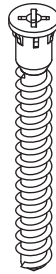
**T98**  
x4



**T28**  
x8



**H1**  
x8



**V57**  
x4



**V5**  
x26



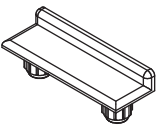
**H2**  
x10



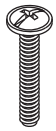
**H14**  
x1



**V13**  
x12



**H114**  
x4



**V137**  
x6



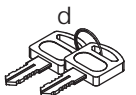
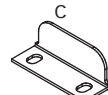
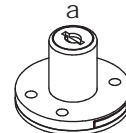
**G128**  
x4



**V109**  
x2

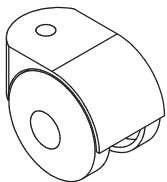


**H173**  
x1

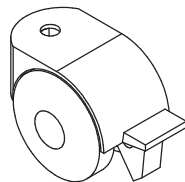


**H171**  
x1

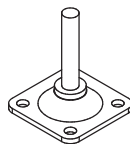
**BU0144**



**H97**  
x2



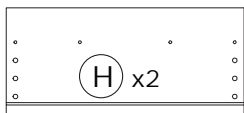
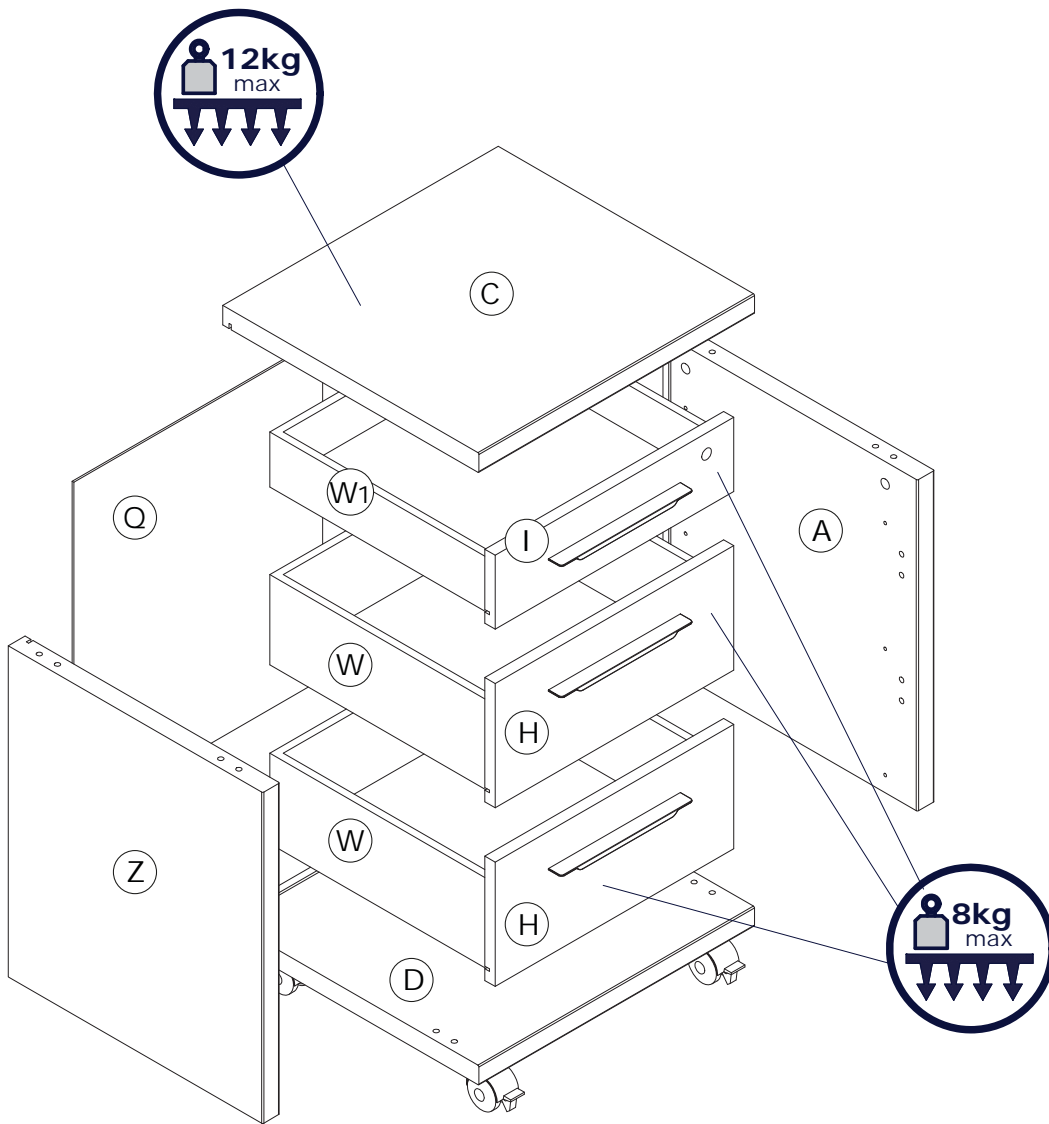
**H96**  
x2



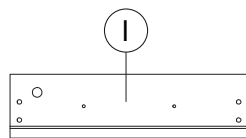
**H47**  
x4



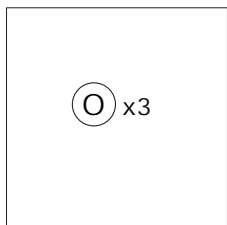
**V5**  
x16



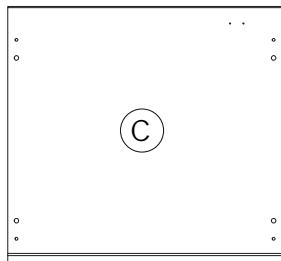
**CS2239**  
421x190x18mm



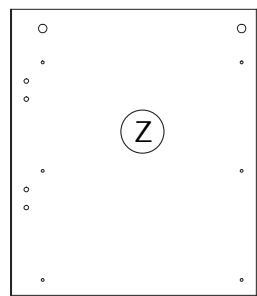
**CS2237**  
421x113x18mm



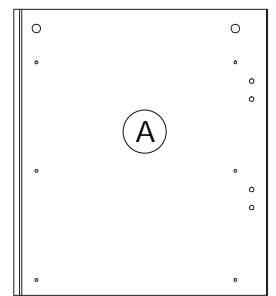
**SH2535**  
391x387x3mm



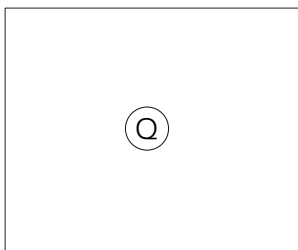
**CA3131**  
486x452x30mm



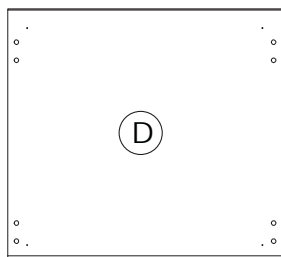
**FI7628**  
506x449x30mm



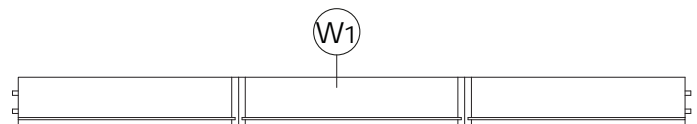
**FI7626**  
506x449x30mm



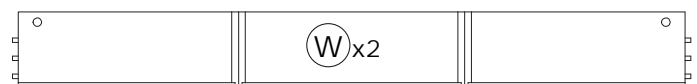
**SH2900**  
520x439x3mm



**BA1907**  
486x452x30mm

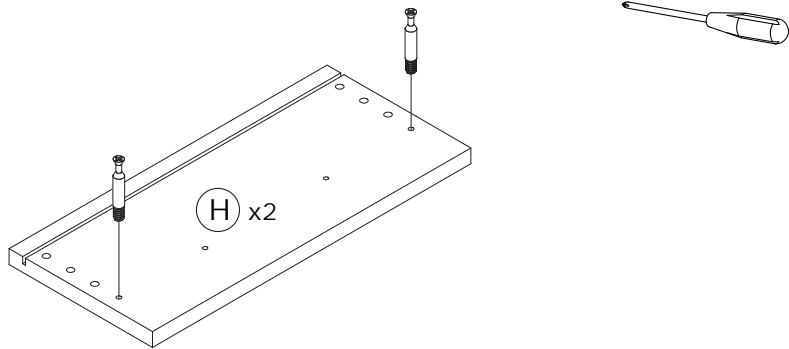
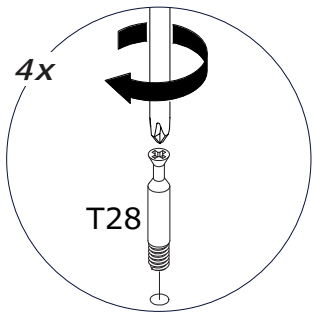


**OF0276**  
390x400x390mm H.84mm

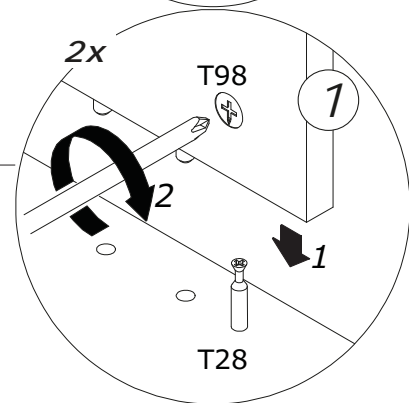
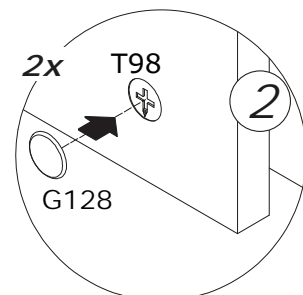
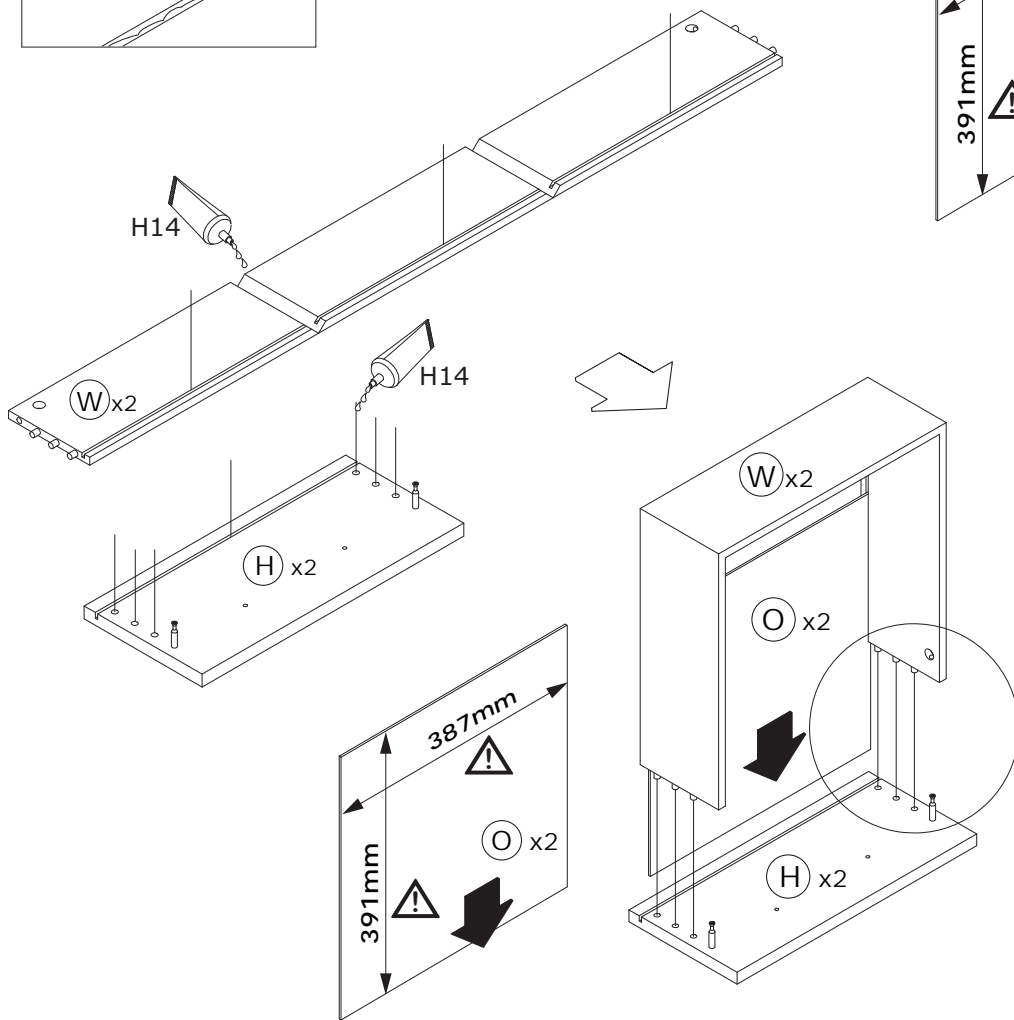
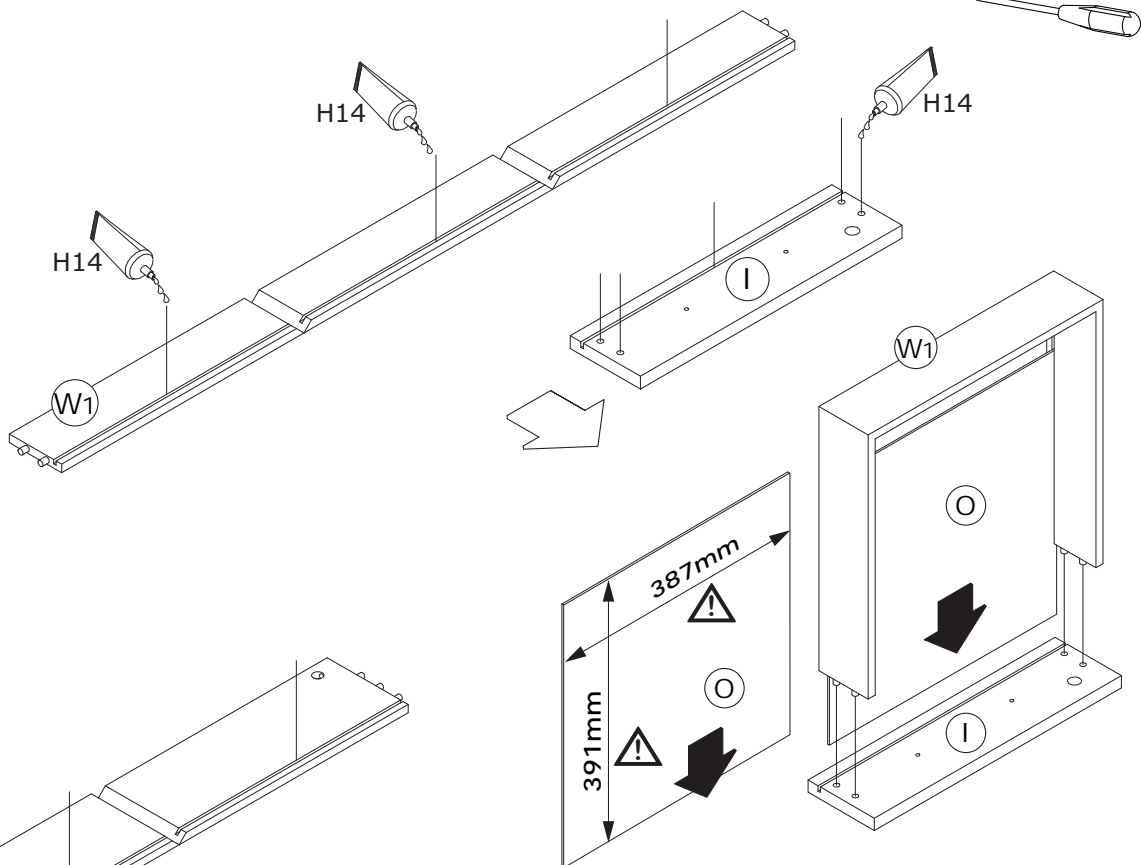
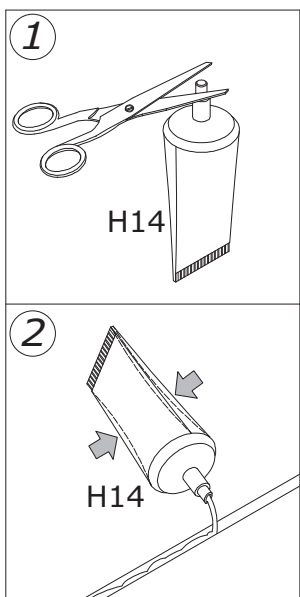


**OF0275**  
390x400x390mm H.138mm

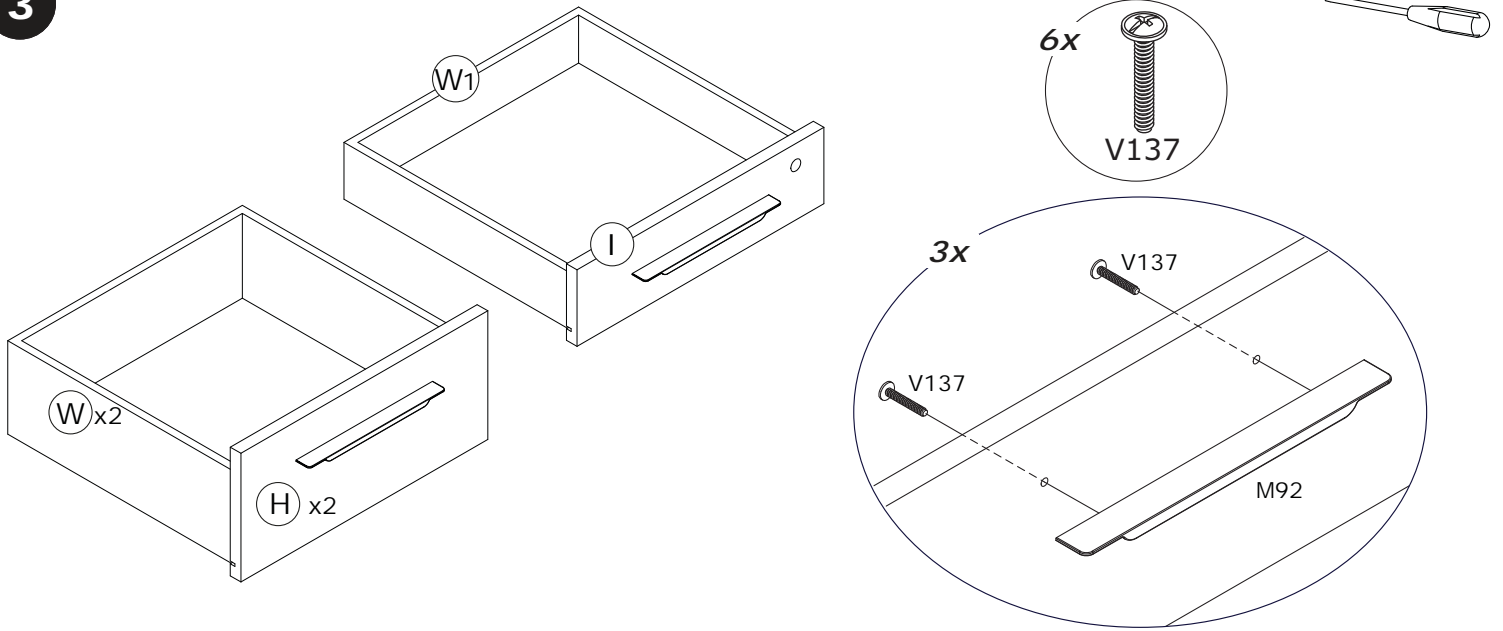
1



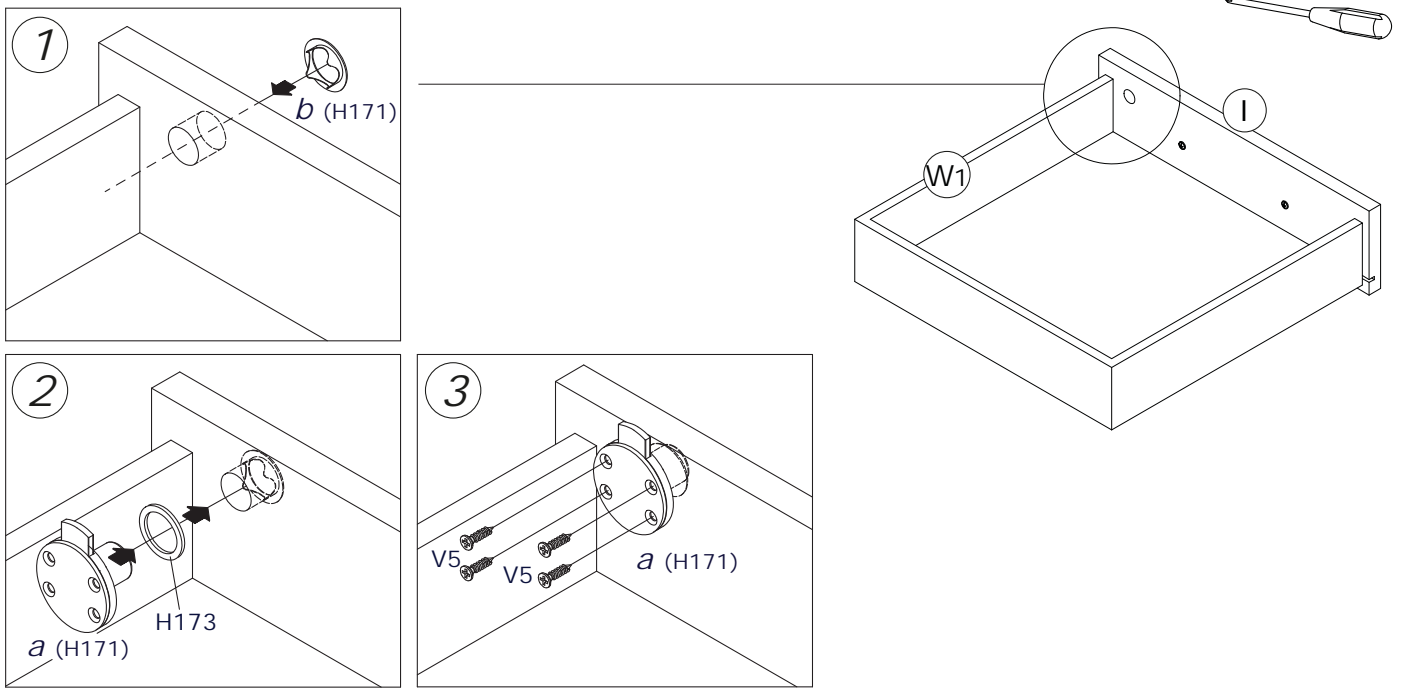
2



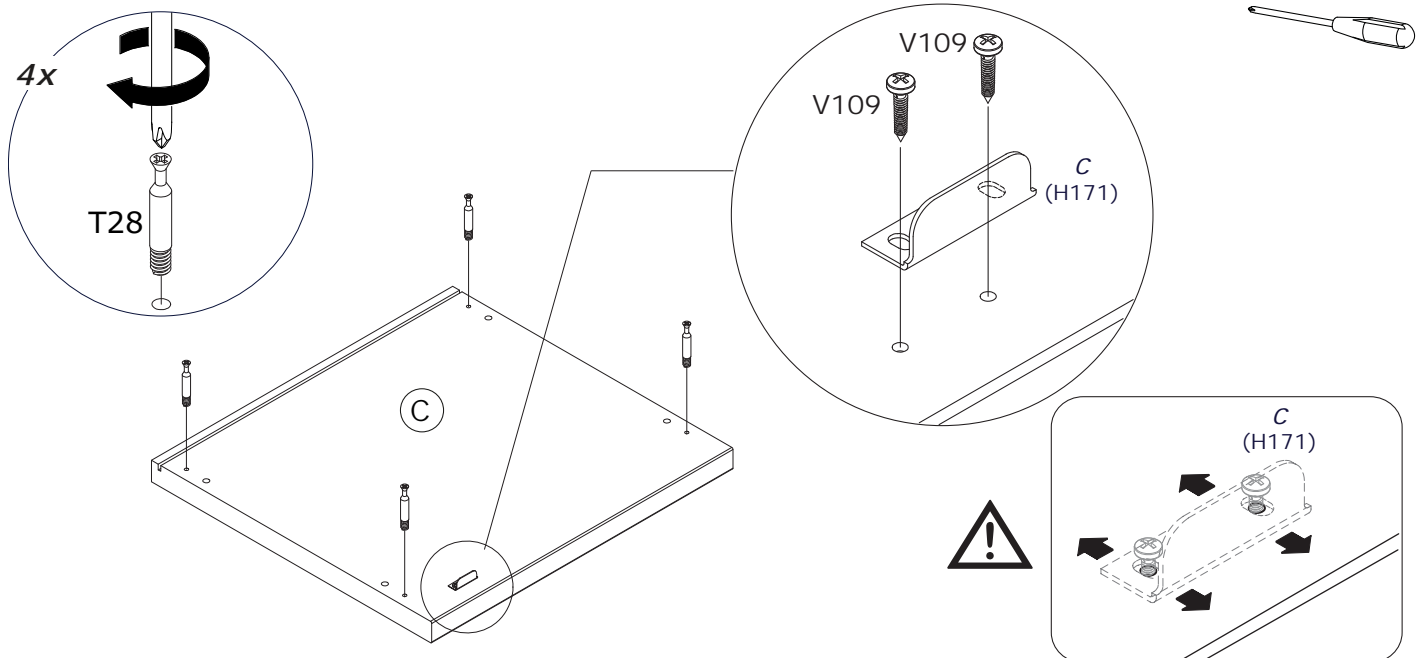
3



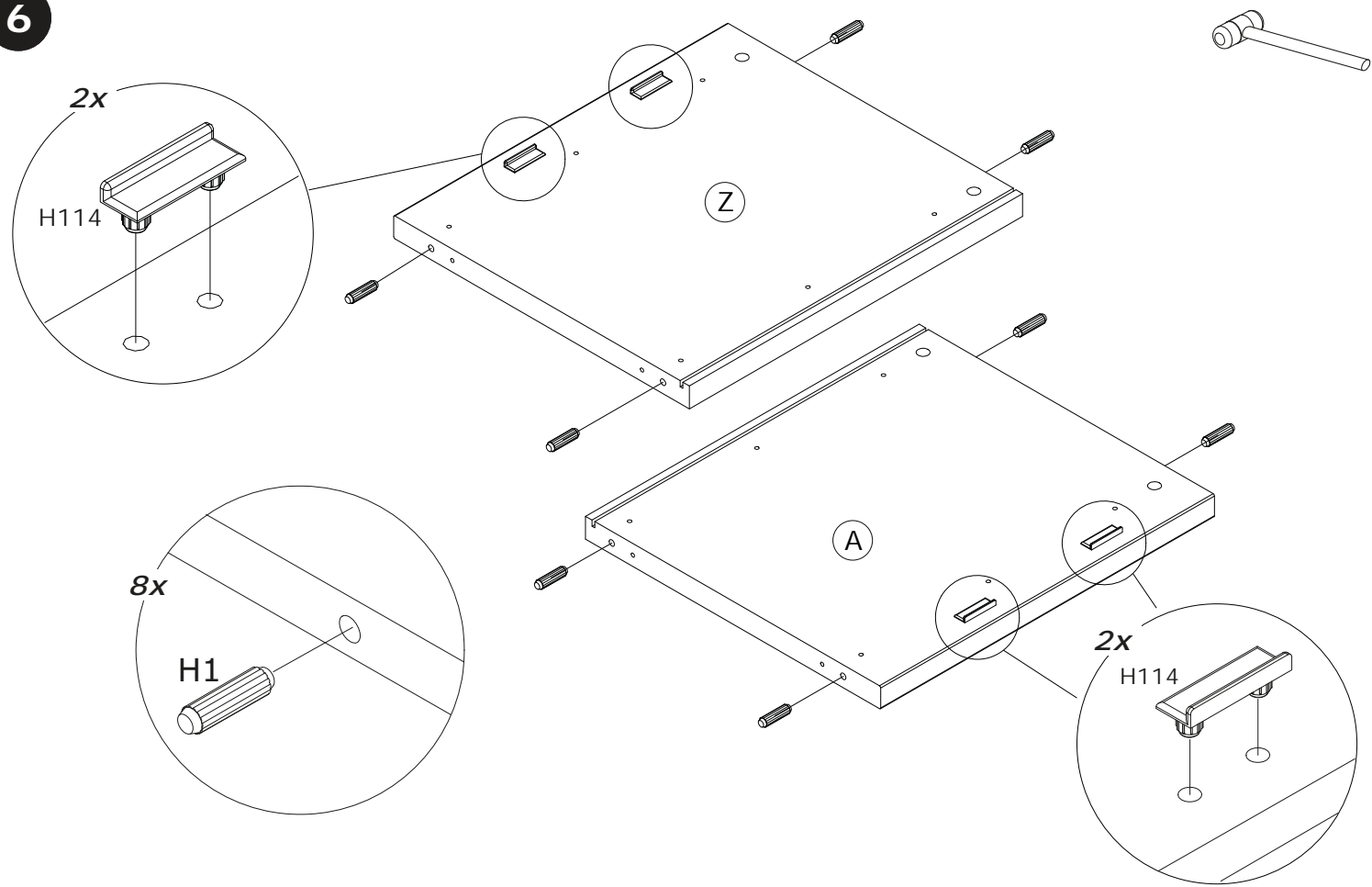
4



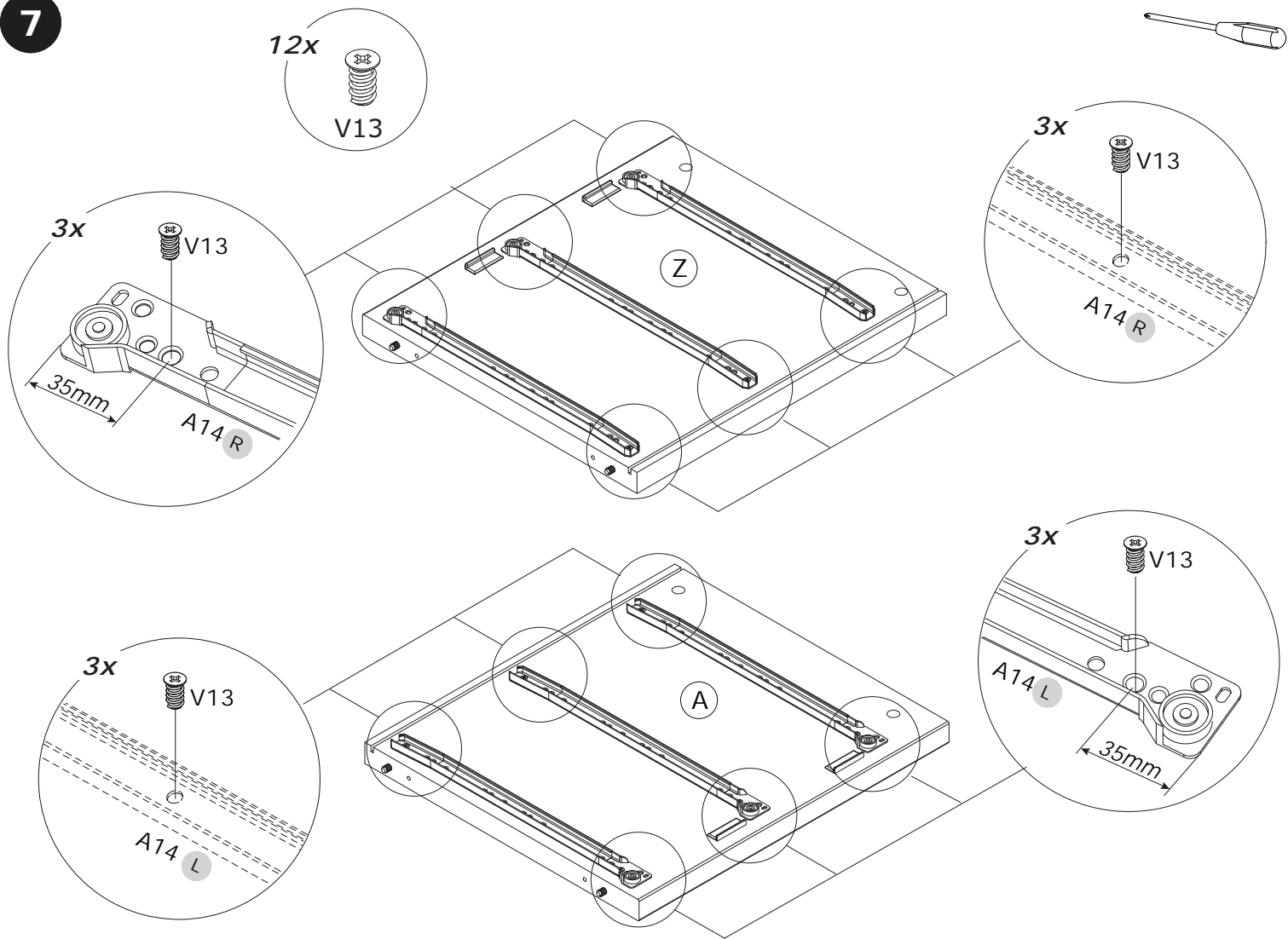
5



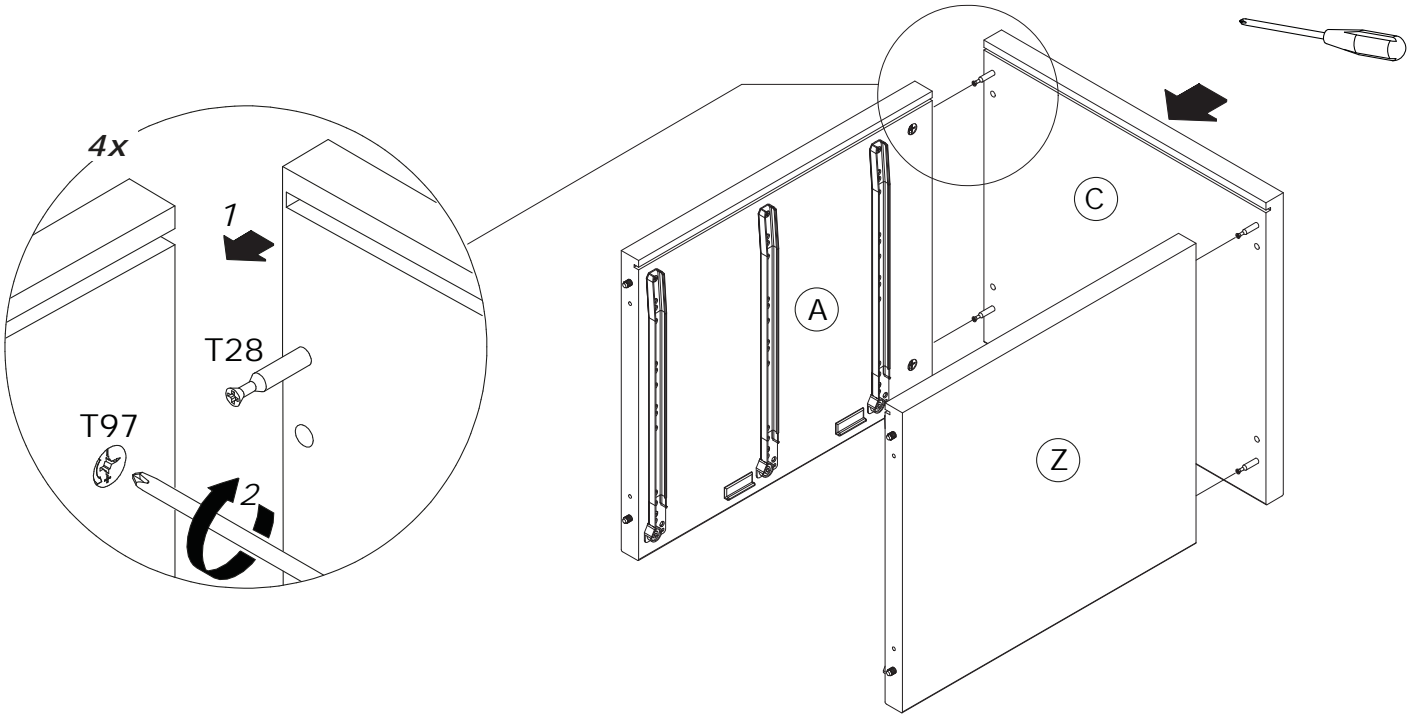
6



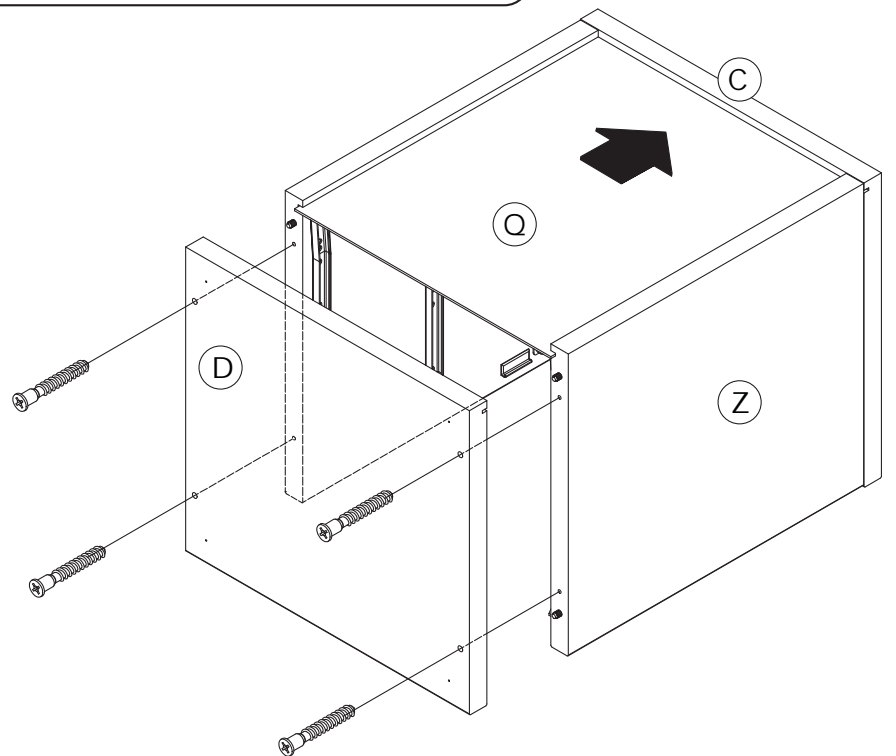
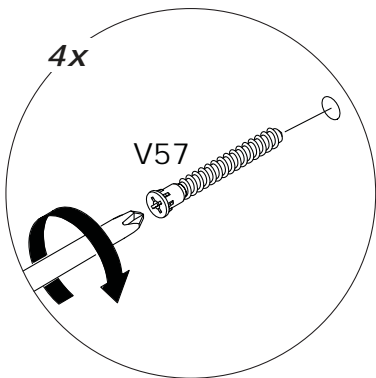
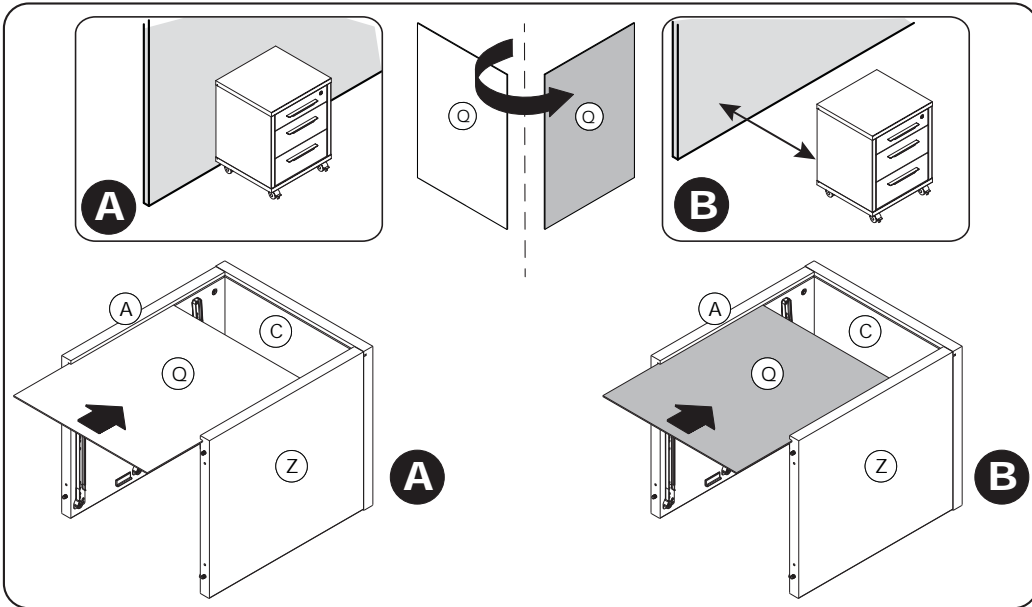
7



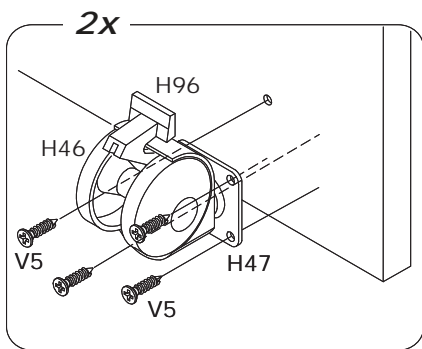
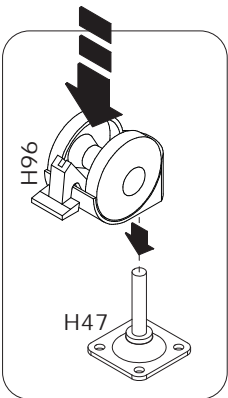
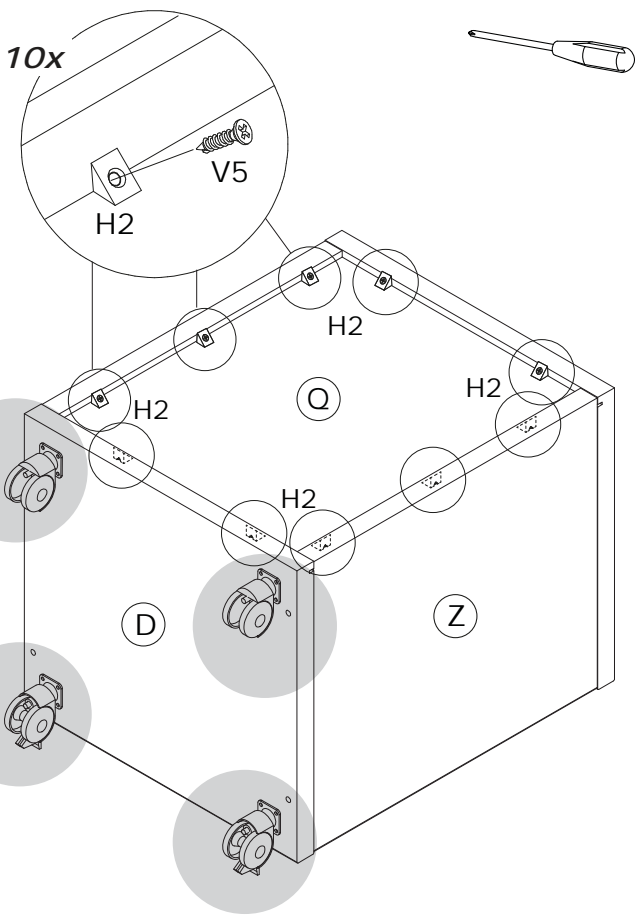
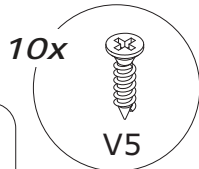
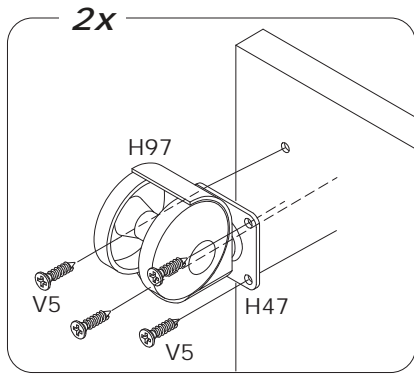
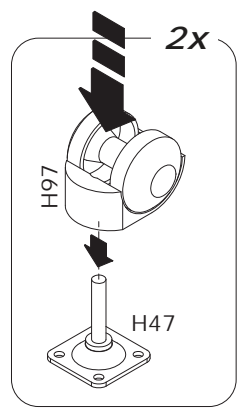
8



9



10



11

