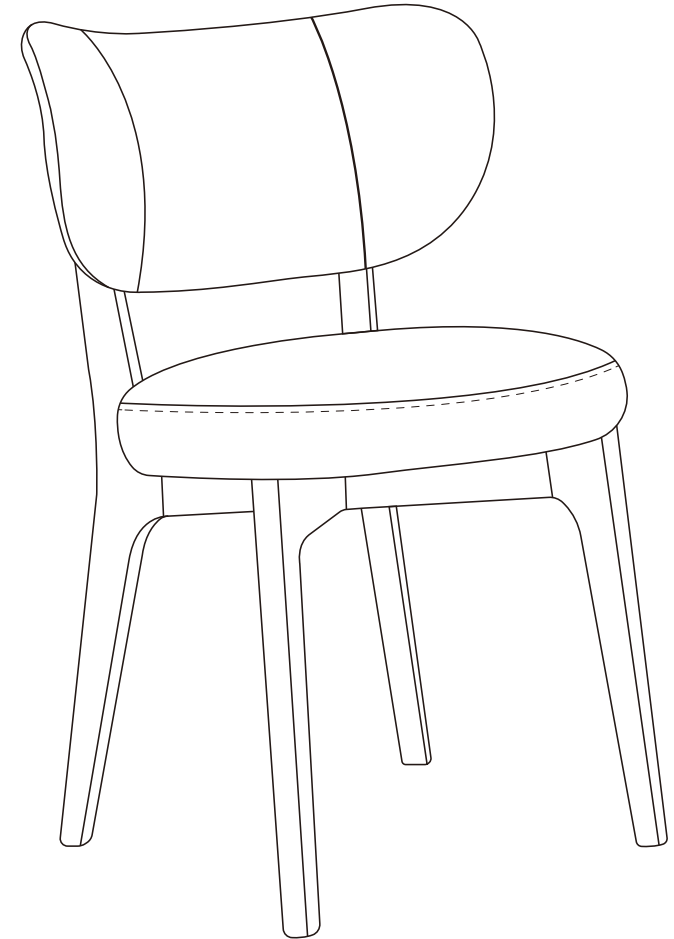


ASSEMBLY INSTRUCTIONS



www.artleon.com

Email: hello@artleon.com

5005 ONTARIO MILLS PARKWAY, ONTARIO CA

91761

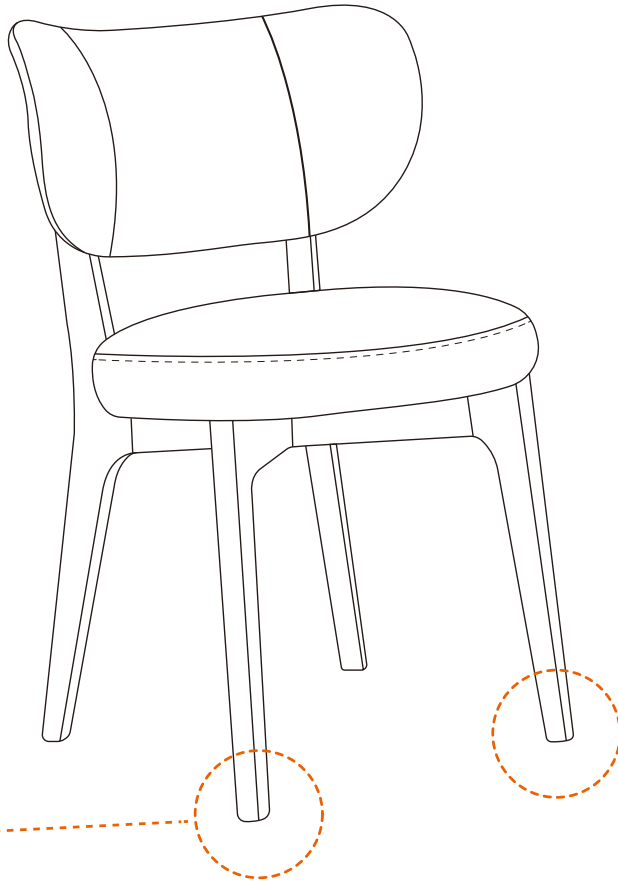
Be sure to keep spare parts.

**If screws or nails of a product are damaged or lost,
or screws or nails of a subsequent product are
damaged or aged, spare parts can be used to replace them.**

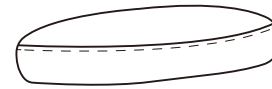
SPARE PARTS

Adjust to horizontal

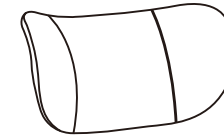
If the foot is still not stable after installation, adjust the front leg nail to adjust



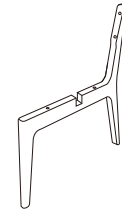
Front foot nails are adjustable, rear foot nails are not adjustable



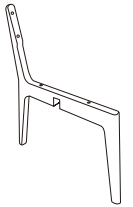
Ax1



Bx1



Cx1



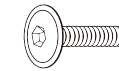
Dx1



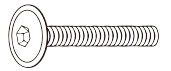
Ex1



**M6x20MM
Fx4+1extra**



**M6x40MM
Gx4+1extra**



**M6x60MM
Hx4+1extra**



**(Φ6+Φ10)*2MM
Ix8+1extra**



**(Φ6+Φ13)*1MM
Jx4+1extra**



**(Φ6+Φ16)*1.5MM
Kx4+1extra**



Lx1

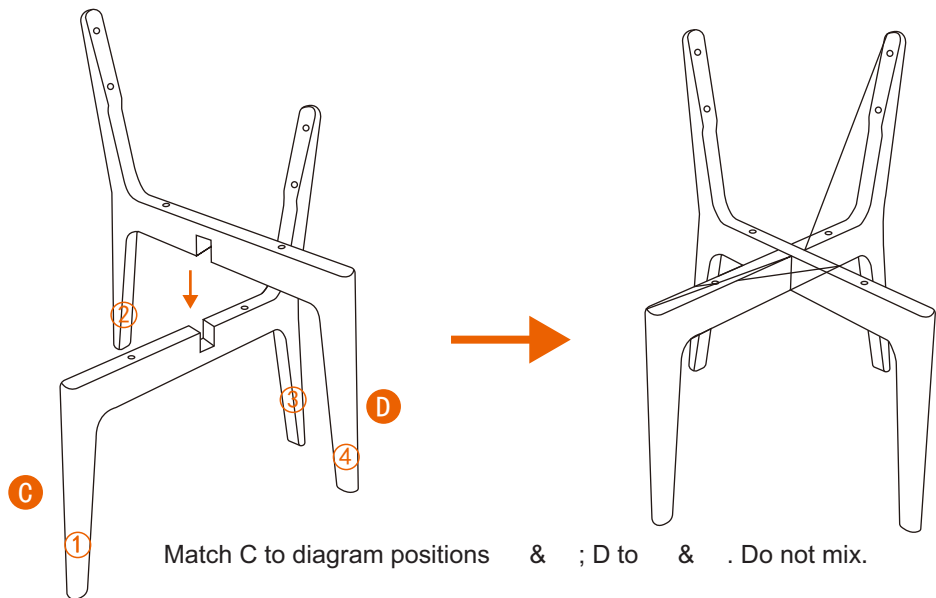
1



Cx1



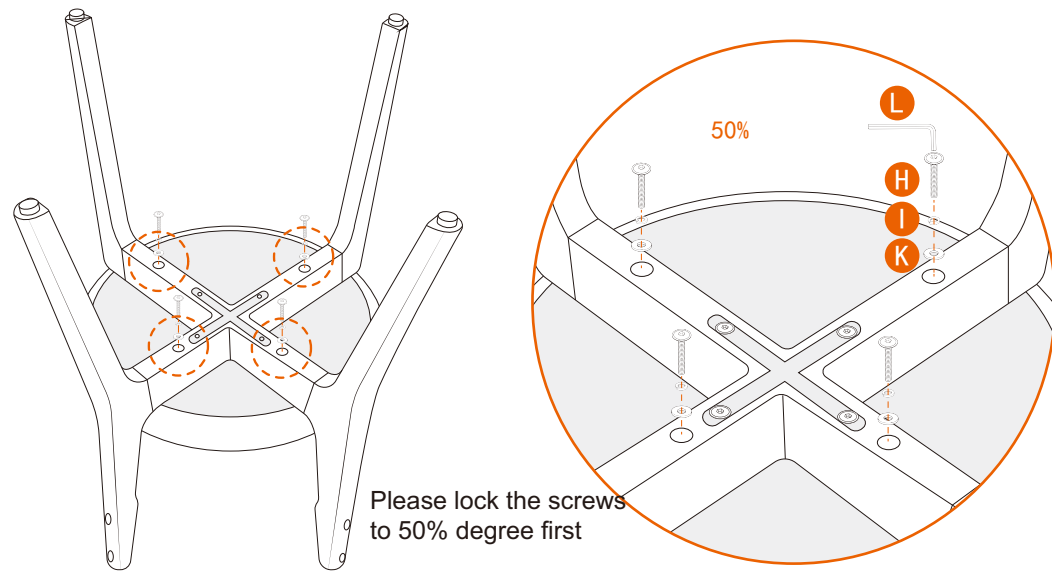
Dx1



3



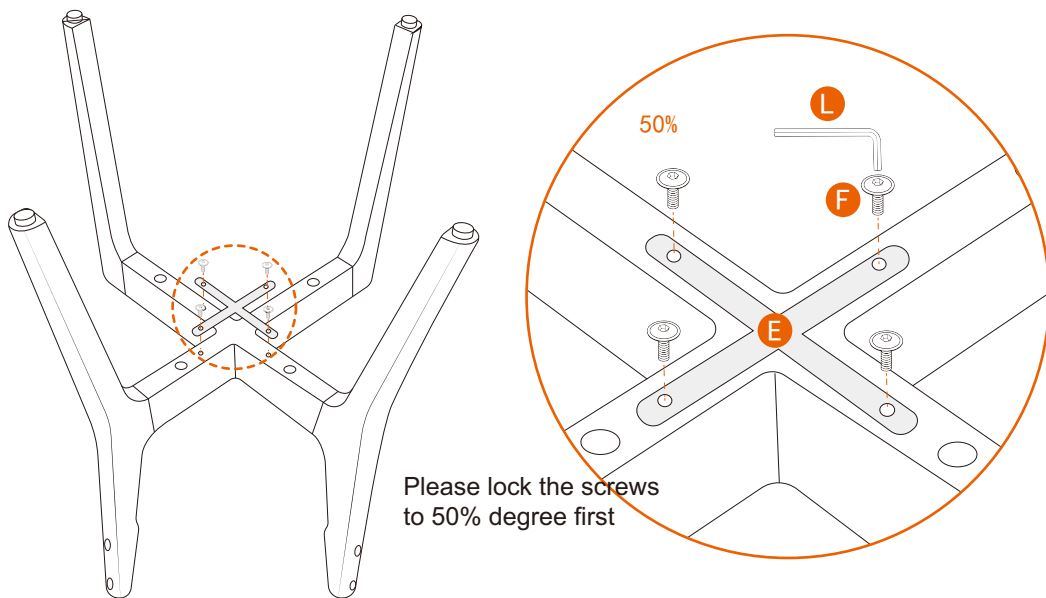
Ax1



2



Ex1



4



Bx1

