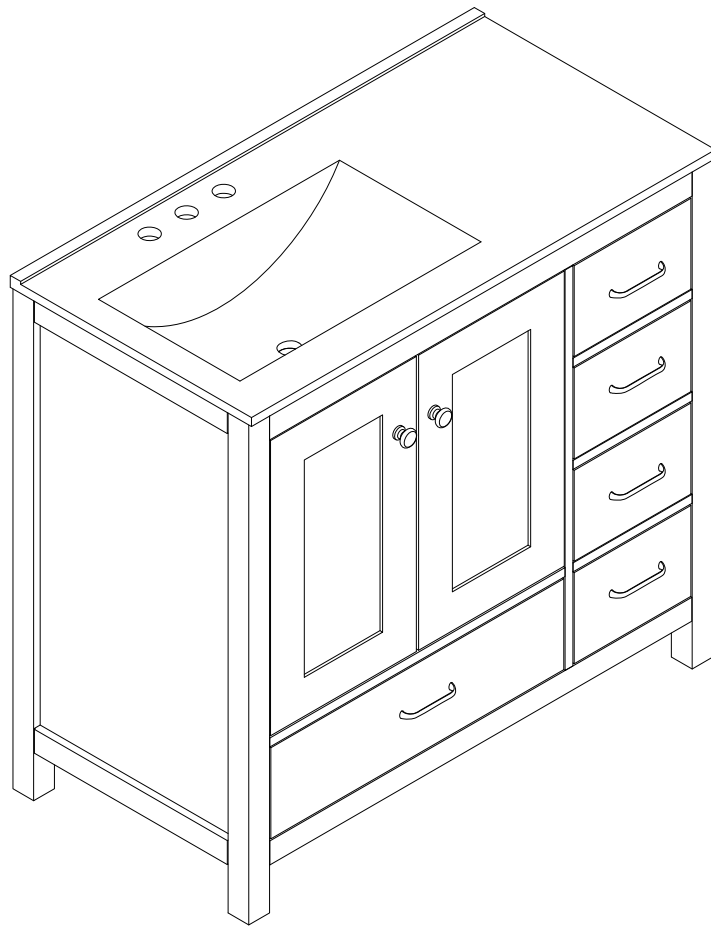
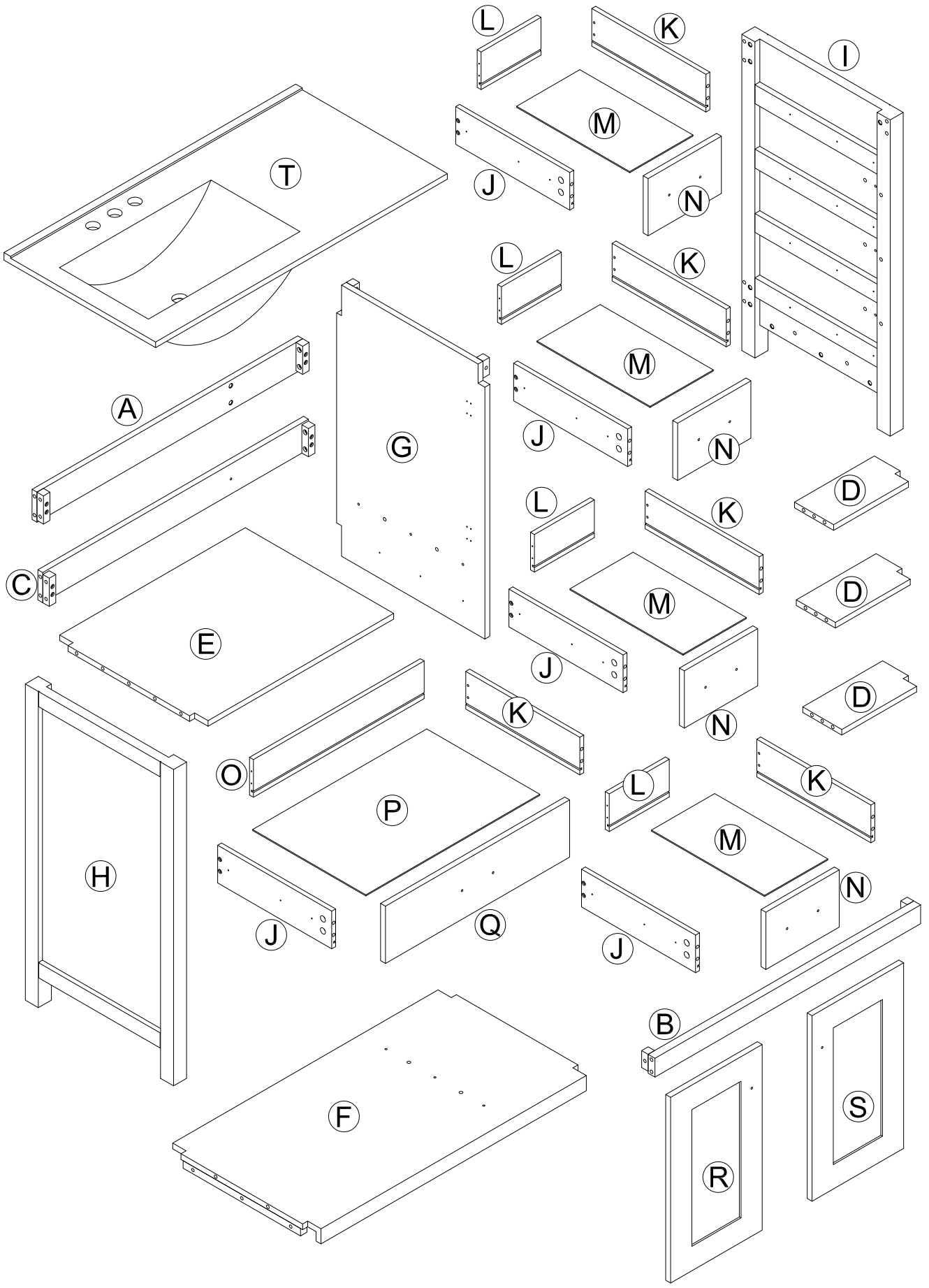


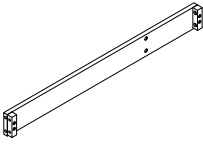
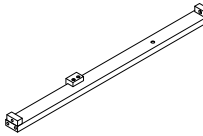
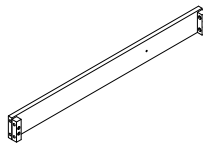
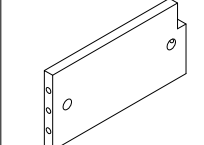
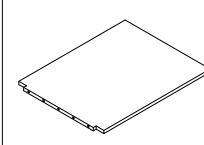
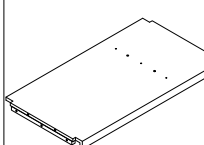
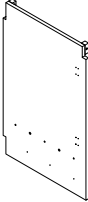
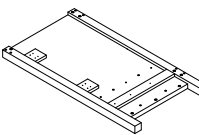
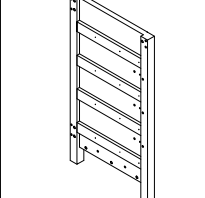
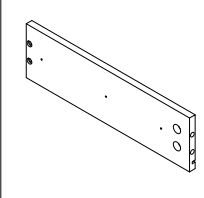
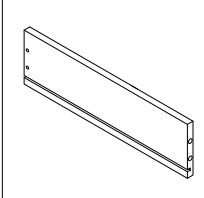
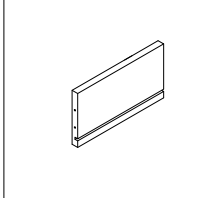
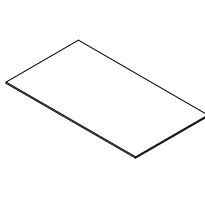
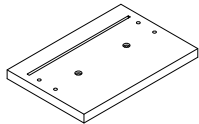
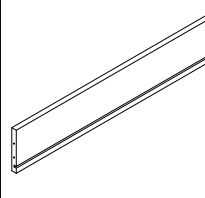
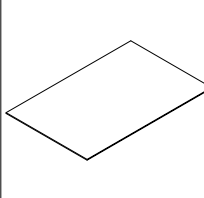
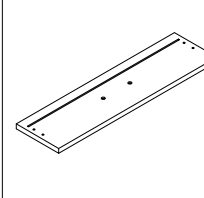
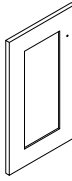

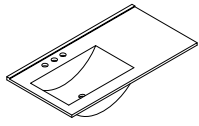
ASSEMBLY INSTRUCTIONS

BATHROOM VANITY

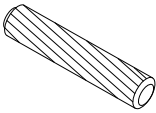
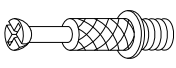
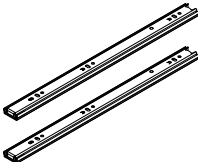

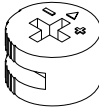
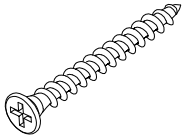
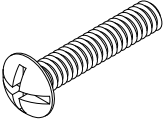
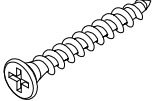



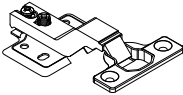
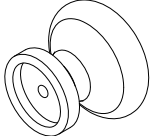




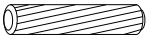
PRODUCT PARTS:

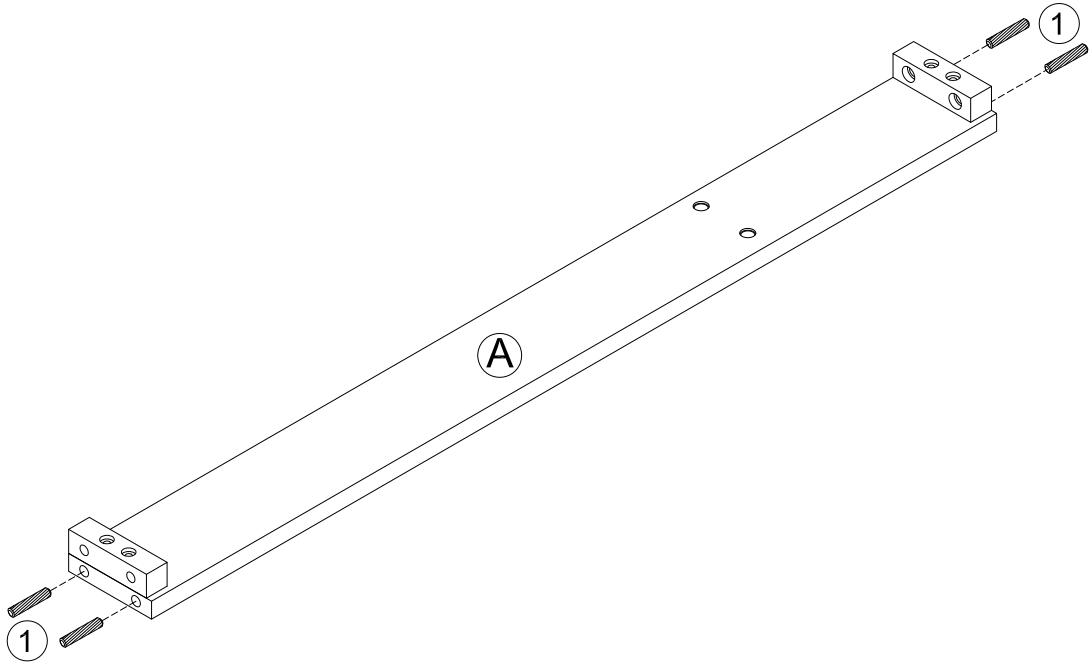
A	B	C	D	E	F
					
1PC	1PC	1PC	3PCS	1PC	1PC
G	H	I	J	K	L
					
1PC	1PC	1PC	5PCS	5PCS	4PCS
M	N	O	P	Q	R
					
4PCS	4PCS	1PC	1PC	1PC	1PC
S	T				
					
1PC	1PC				

HARDWARE:

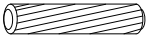
①	②	③	④	⑤	⑥
 <p>Ø8x30mm</p>	 <p>Ø6x33mm</p>	 <p>14"x35mm</p>	 <p>Ø3x10mm</p>	 <p>Ø15x9mm</p>	 <p>Ø4x35mm</p>
34+2 PCS	32+2 PCS	5 SET	60+2 PCS	32+2 PCS	4 PCS
⑦	⑧	⑨	⑩	⑪	⑫
 <p>1/4"x25mm</p>	 <p>Ø4x25mm</p>	 <p>5/32"x18mm</p>		 <p>Ø4x12mm</p>	
19+1PCS	20+2PCS	12 PCS	5PCS	24+2PCS	4PCS
⑬					
					
2PCS					

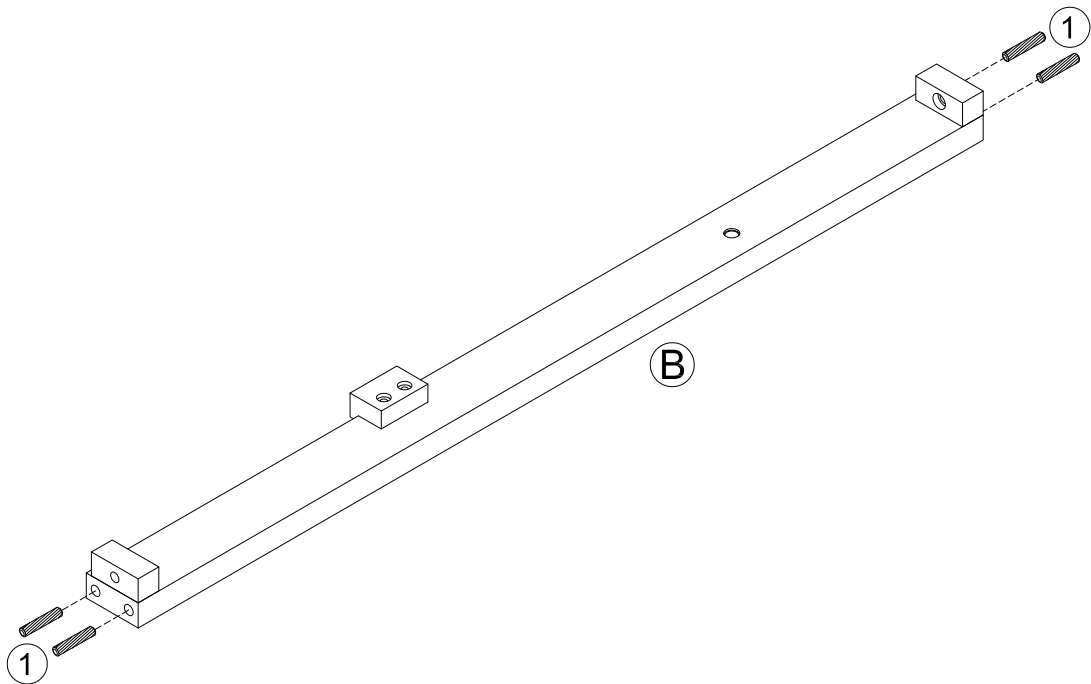
STEP 1

①  4pcs
Ø8x30mm

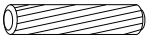


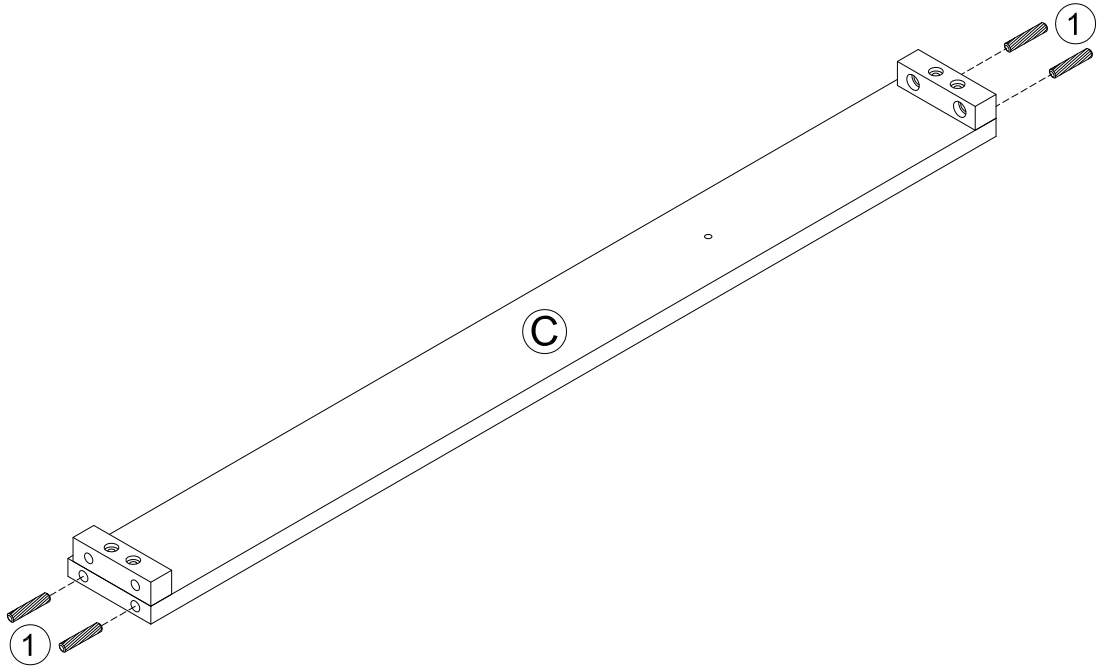
STEP 2

①  4pcs
Ø8x30mm

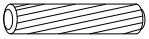


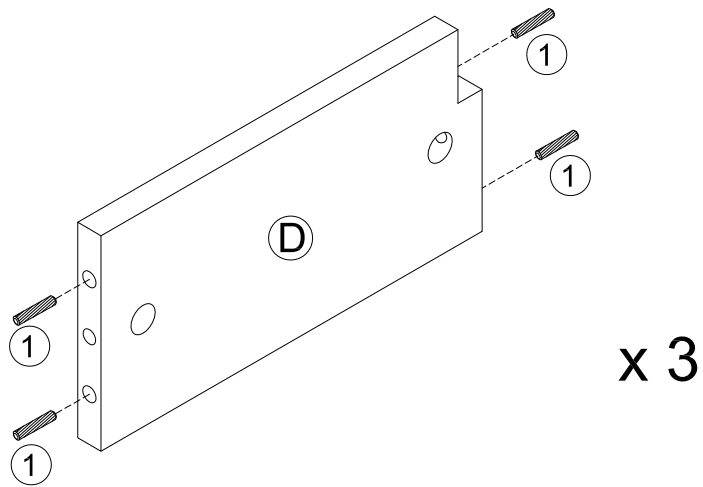
STEP 3

①  4pcs
Ø8x30mm

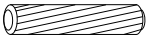


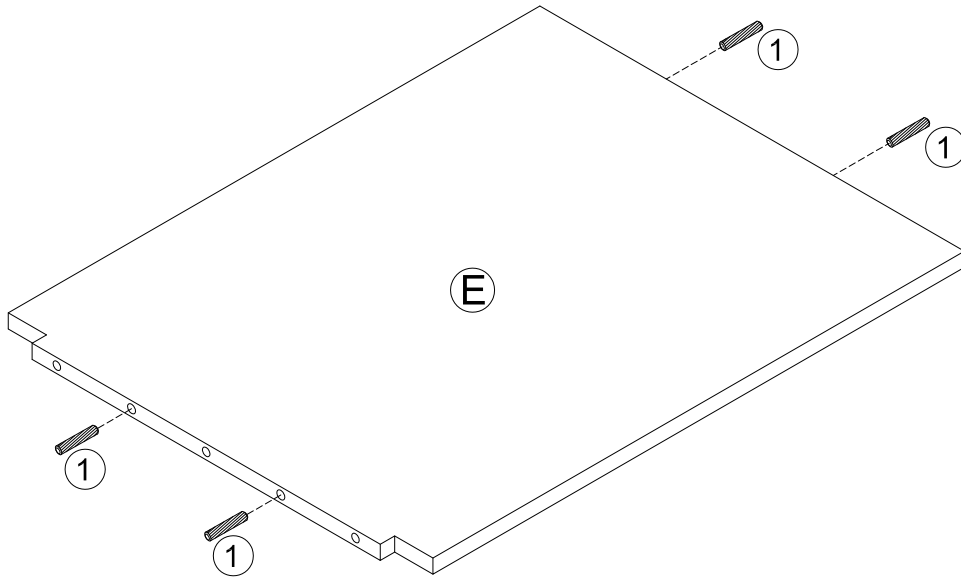
STEP 4

①  12pcs
Ø8x30mm

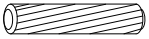


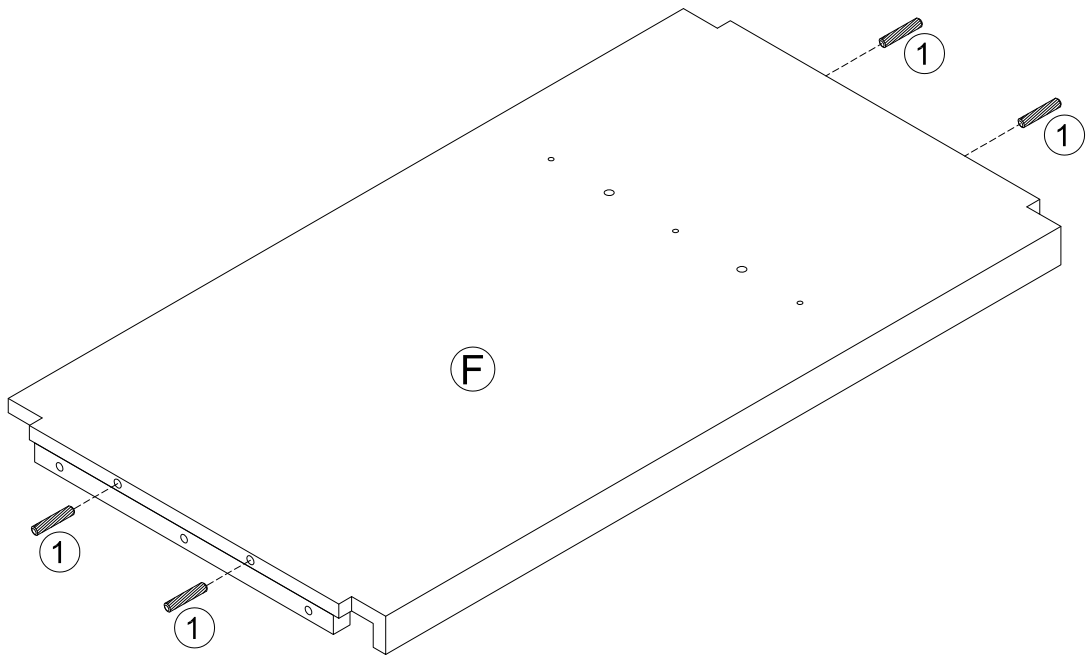
STEP 5

①  4pcs
Ø8x30mm





STEP 6

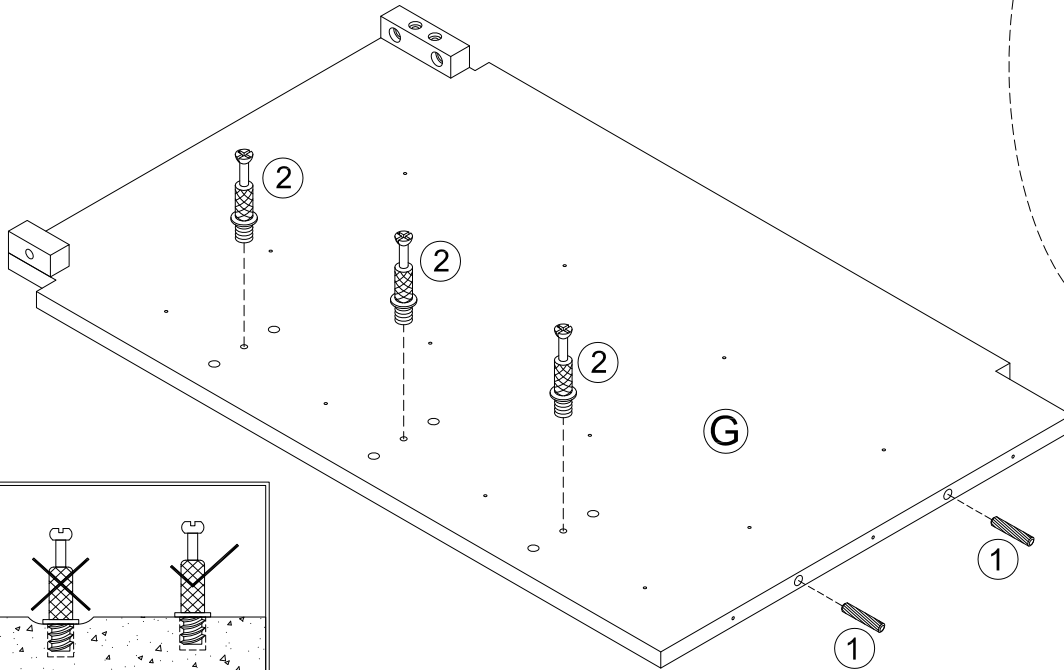
①  4pcs
Ø8x30mm



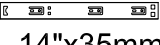
STEP 7

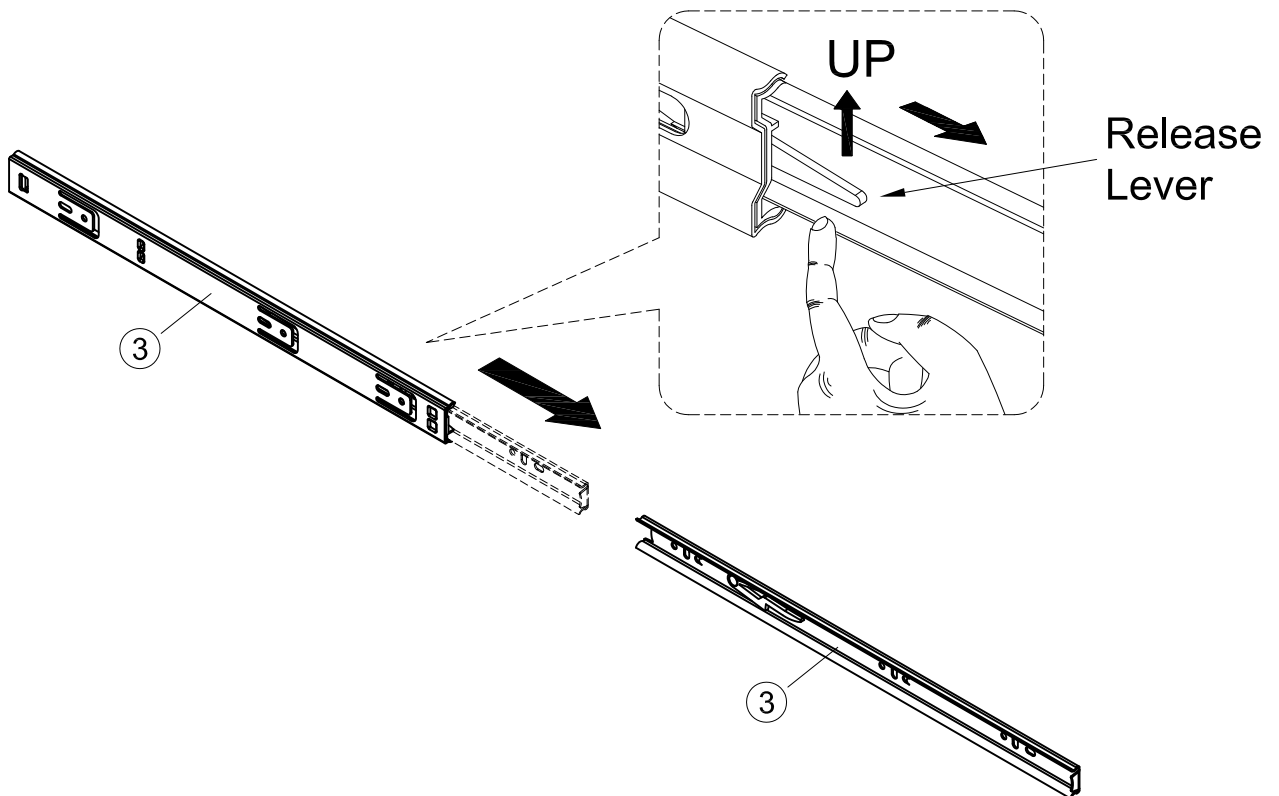
②  3pcs
Ø6x33mm

①  2pcs
Ø8x30mm

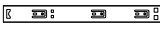


STEP 8

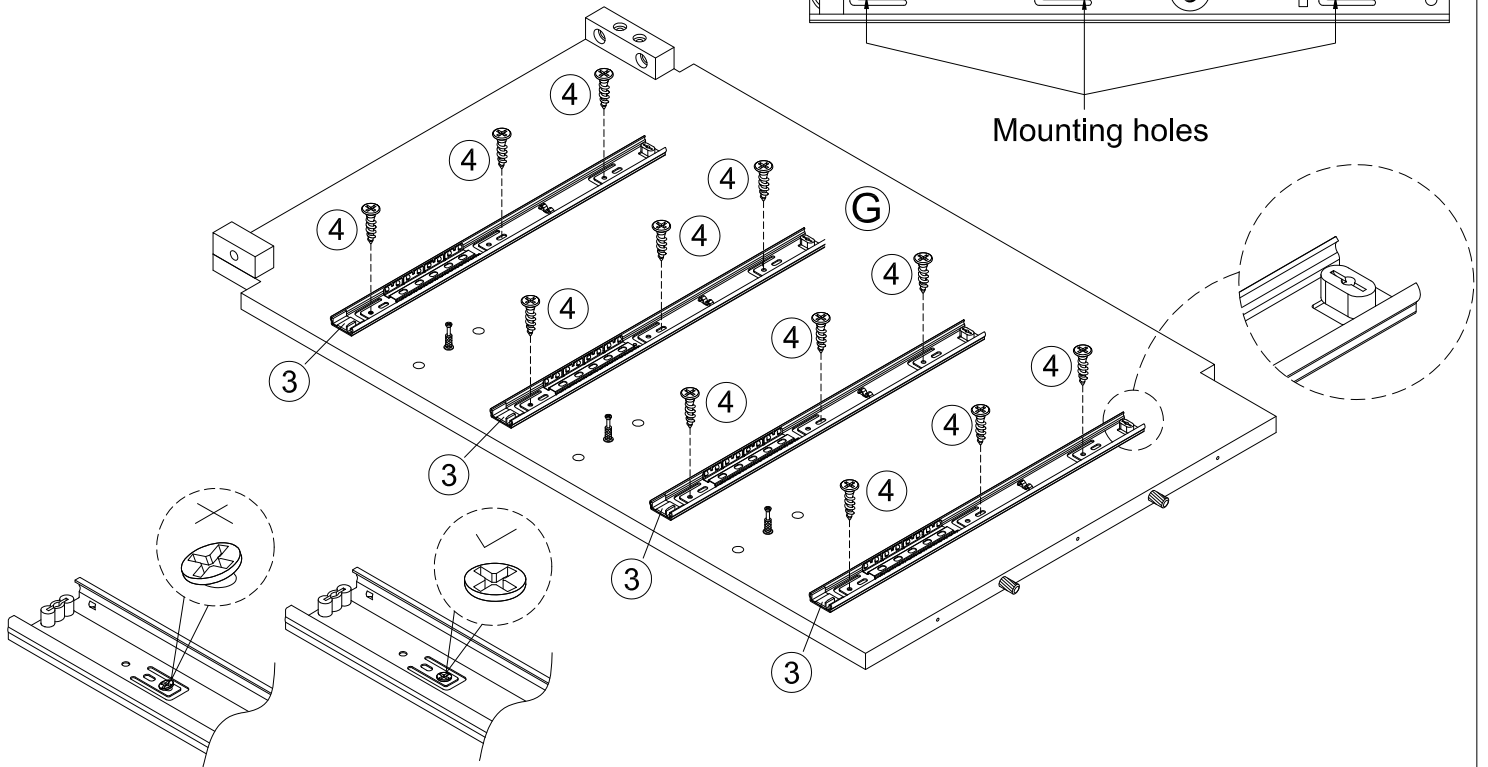
③  5SET
14"x35mm



STEP 9

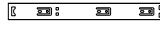
③  4pcs
14"x35mm

④  12pcs
Ø3x10mm



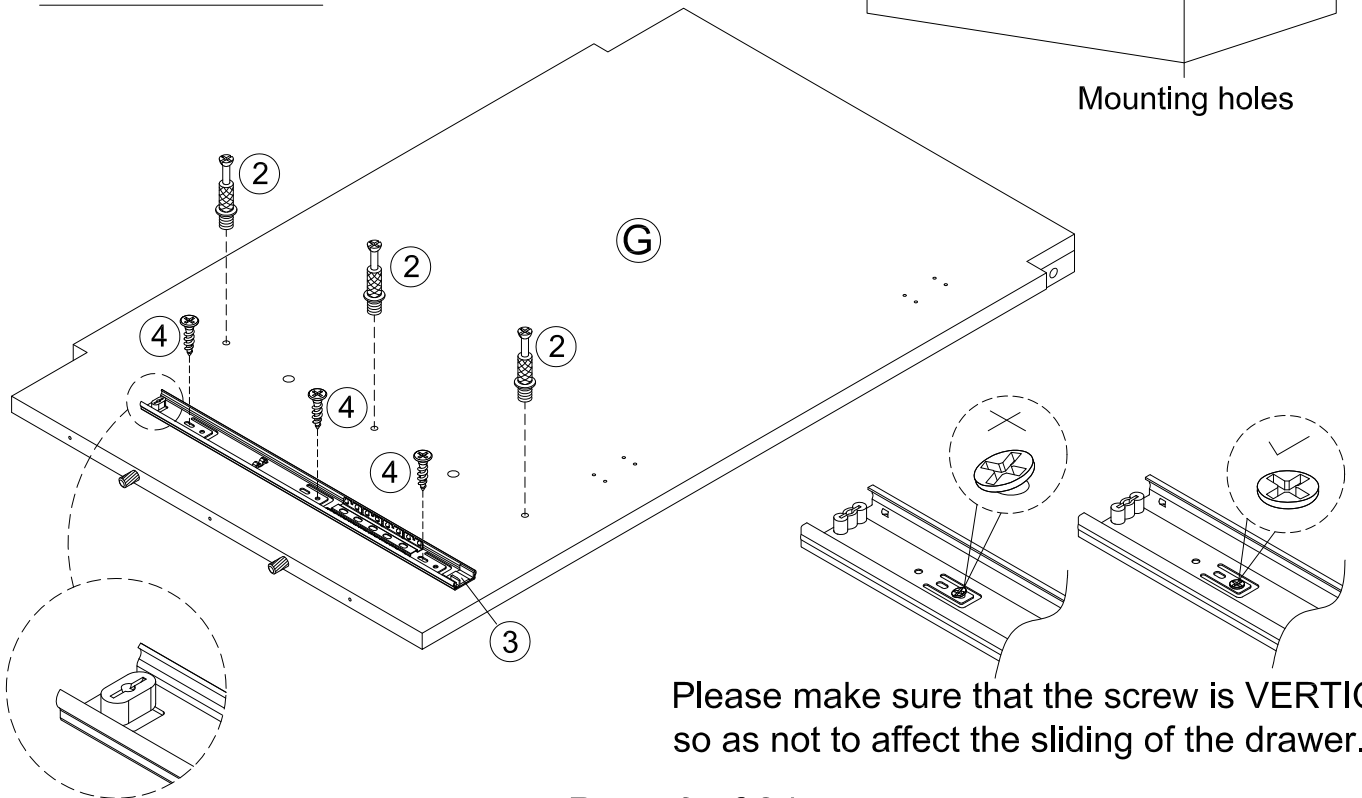
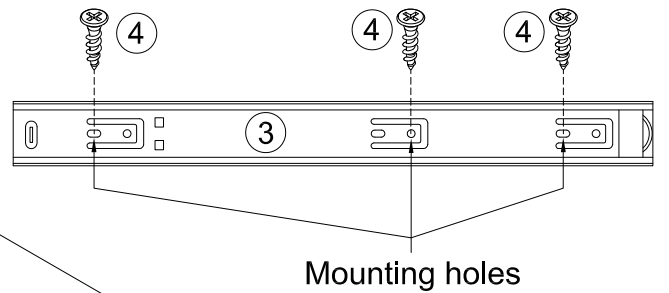
Please make sure that the screw is VERTICAL so as not to affect the sliding of the drawer.

STEP 10

③  1pc
14"x35mm

④  3pcs
Ø3x10mm

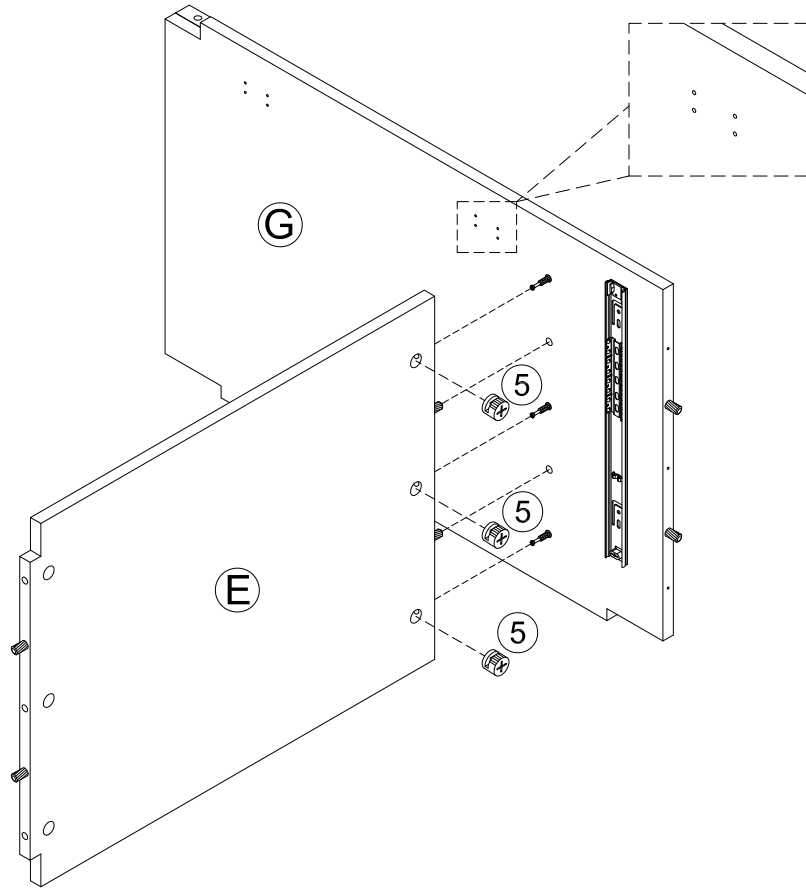
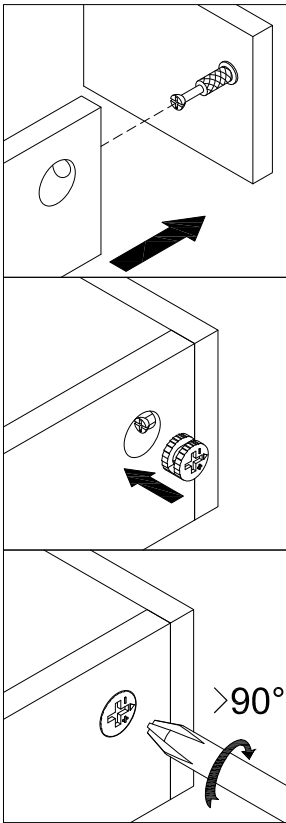
②  3pcs
Ø6x33mm



Please make sure that the screw is VERTICAL so as not to affect the sliding of the drawer.

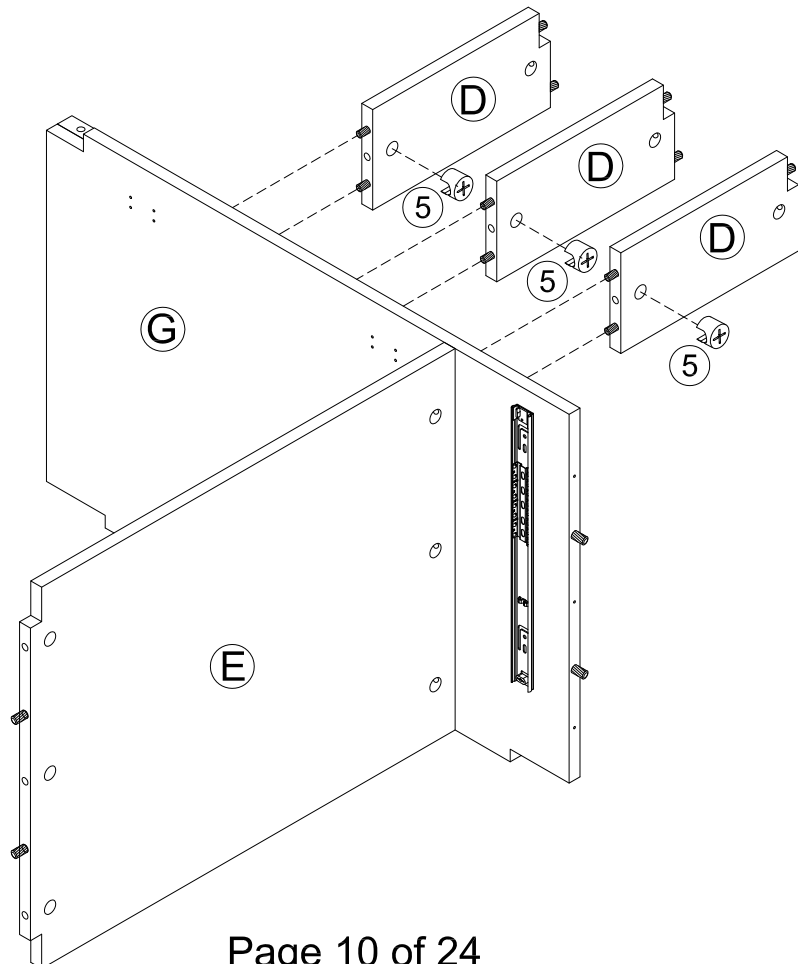
STEP 11

⑤  3pcs
Ø15x9mm

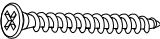


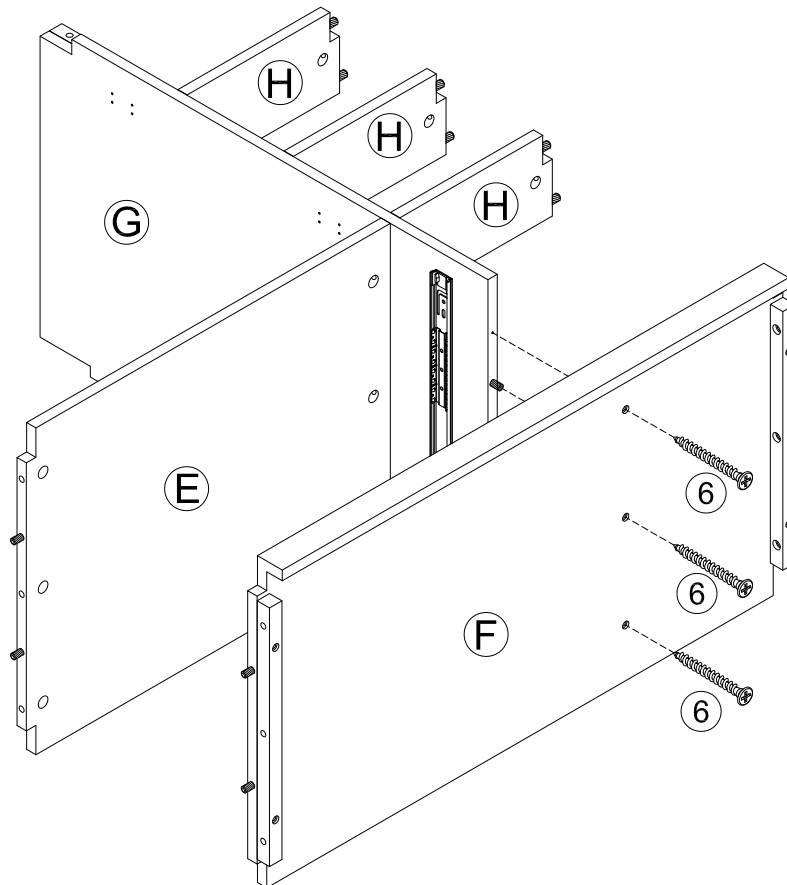
STEP 12

⑤  3pcs
Ø15x9mm

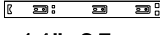




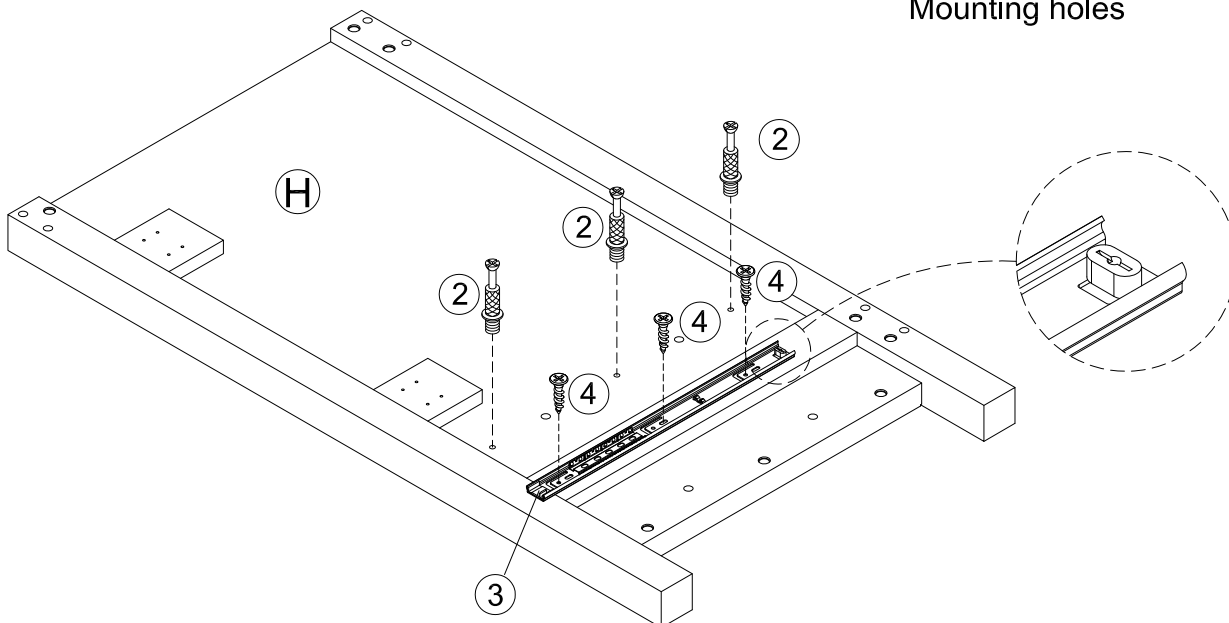
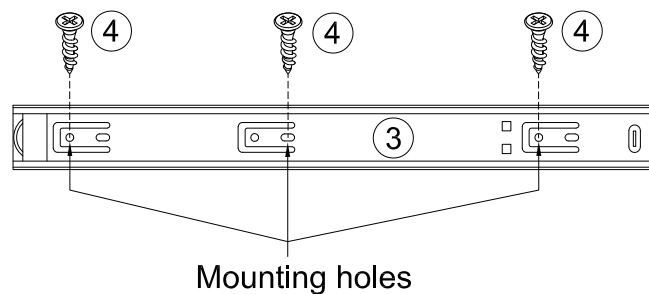
STEP 13

- ⑥  3pcs
Ø4x35

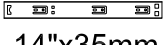
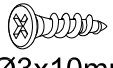
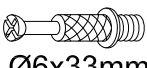


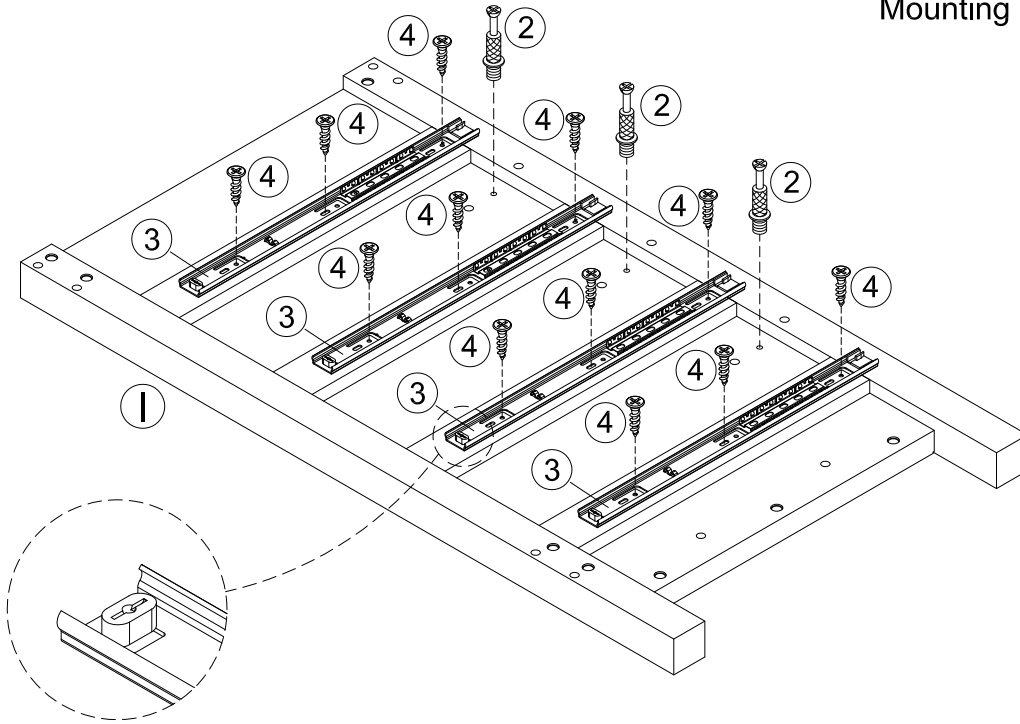
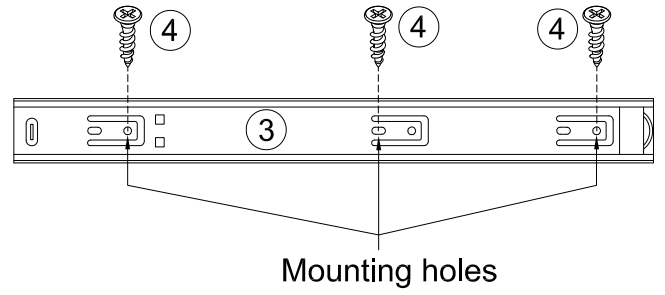
STEP 14

- ③  1pc
14"x35mm
- ④  3pcs
Ø3x10mm
- ②  3pcs
Ø6x33mm


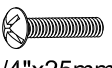


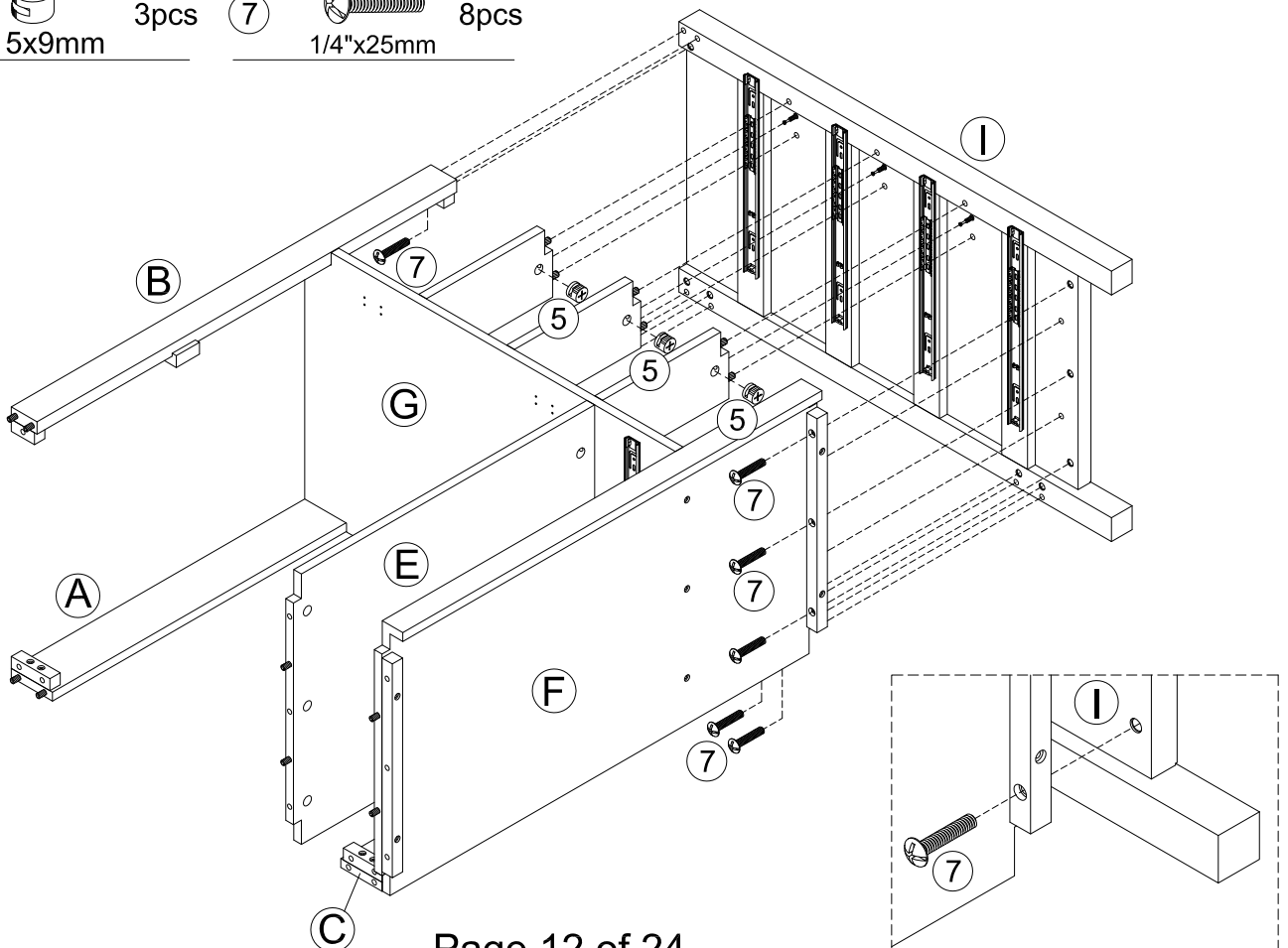
STEP 15

- | | |
|--|--|
| <p>③  4pcs
14"x35mm</p> | <p>④  12pcs
Ø3x10mm</p> |
| <p>②  3pcs
Ø6x33mm</p> | |




STEP 16

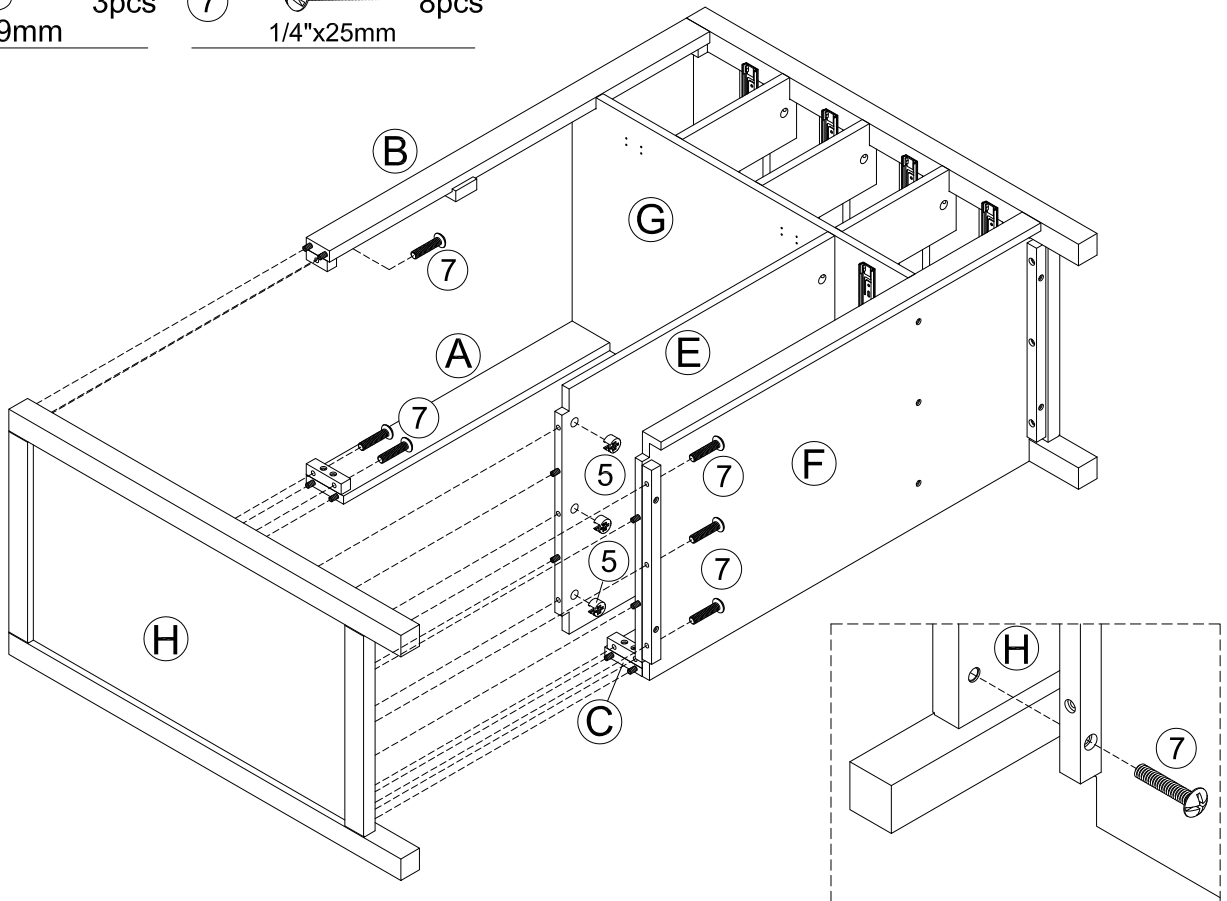
- | | |
|---|---|
| <p>⑤  3pcs
Ø15x9mm</p> | <p>⑦  8pcs
1/4"x25mm</p> |
|---|---|




STEP 17


5  3pcs
Ø15x9mm

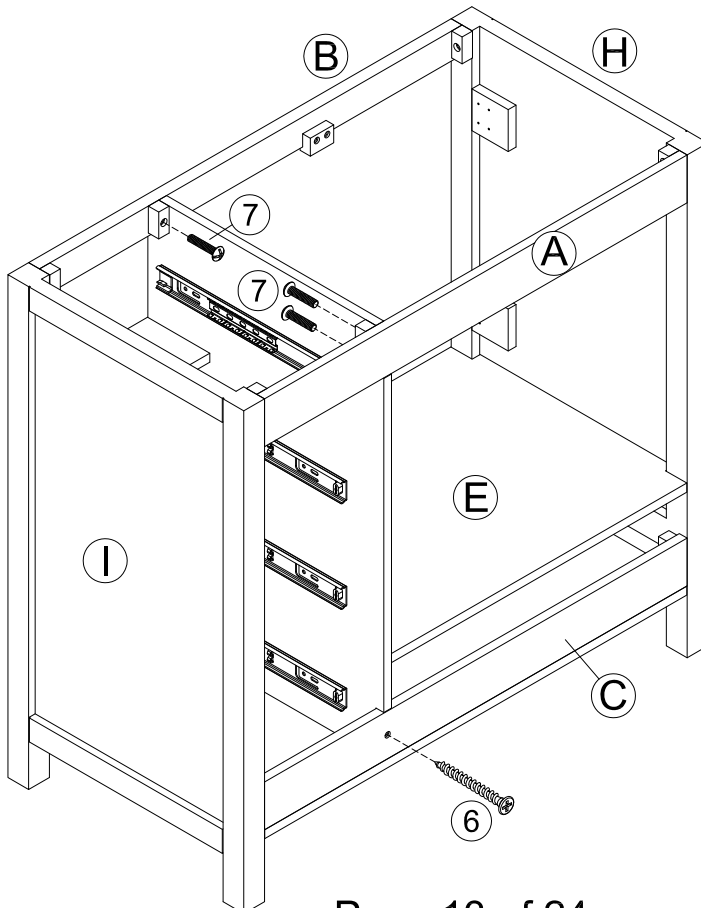
7  8pcs
1/4"x25mm



STEP 18

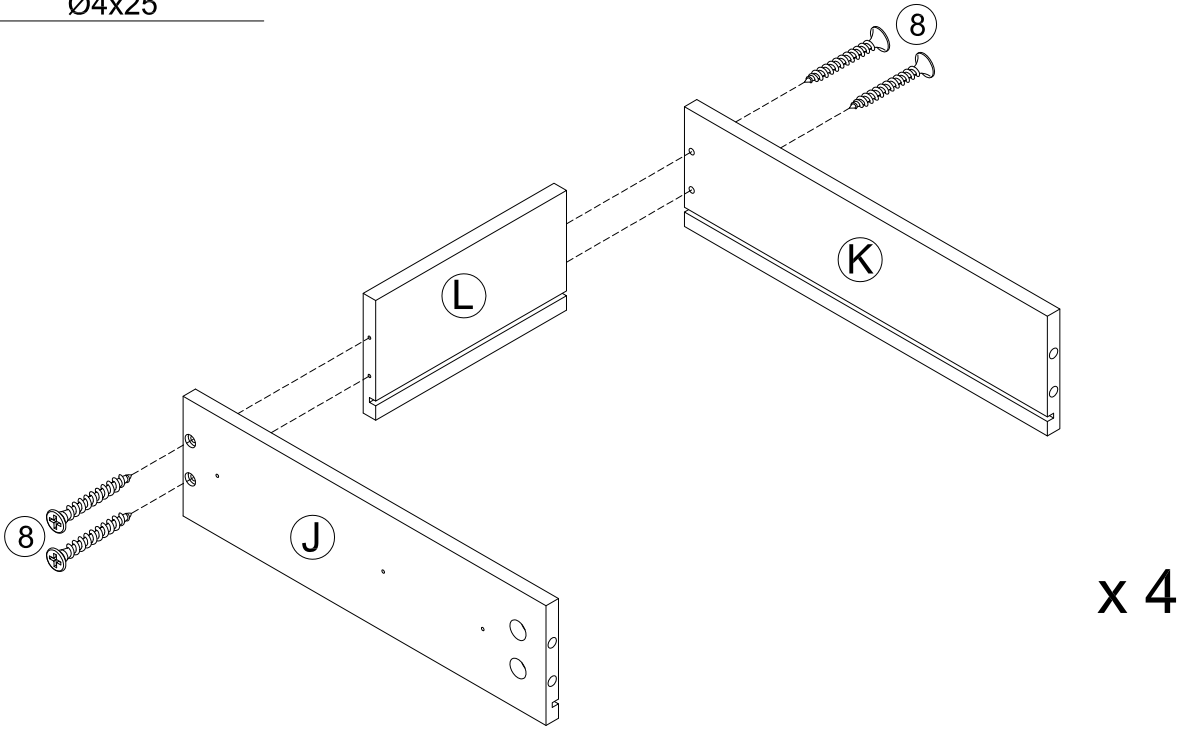
6  1pc
Ø4x35

7  3pcs
1/4"x25mm

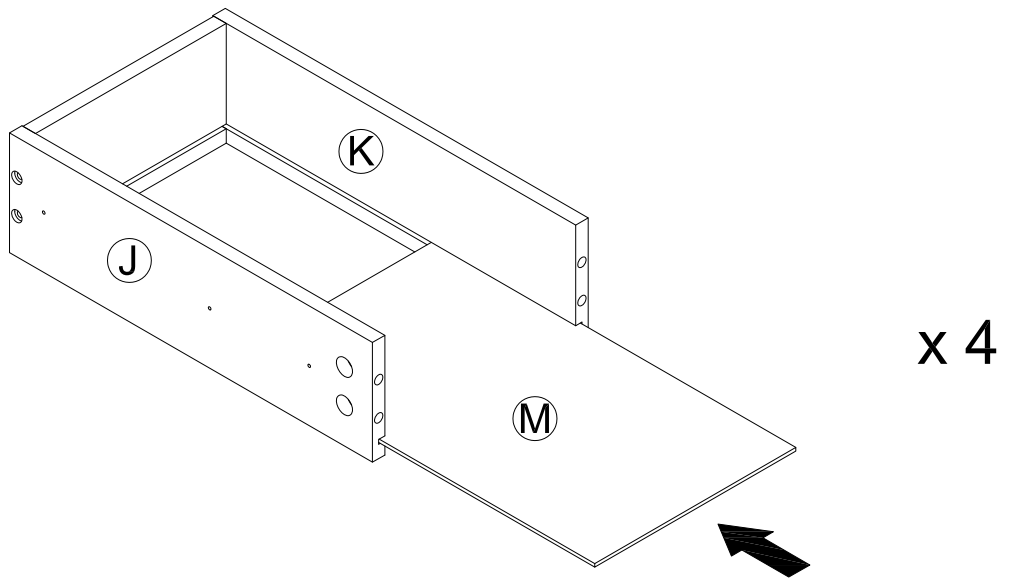


STEP 19


8  16pcs
Ø4x25

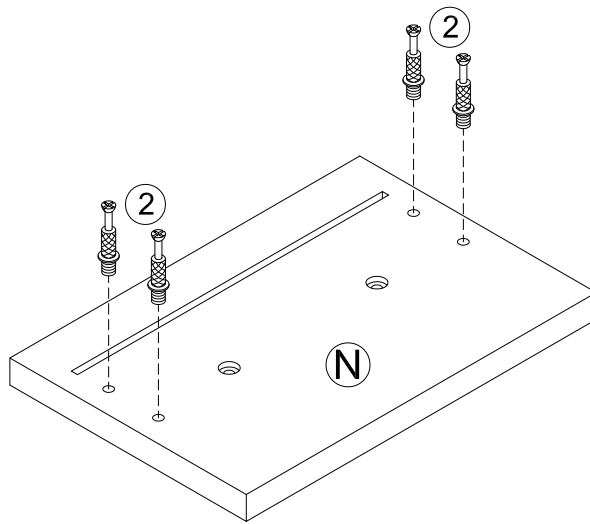


STEP 20



STEP 21

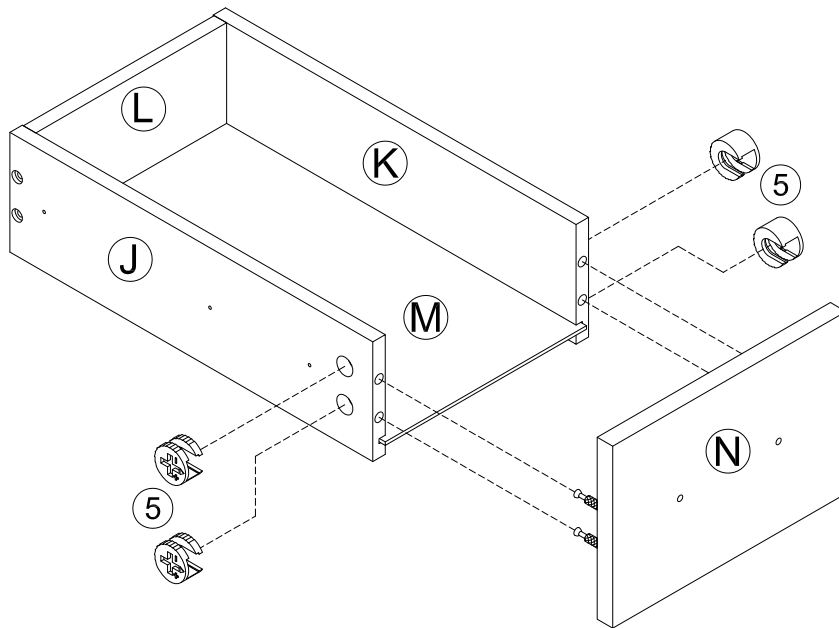
②  16pcs
Ø6x33mm



x 4



STEP 22

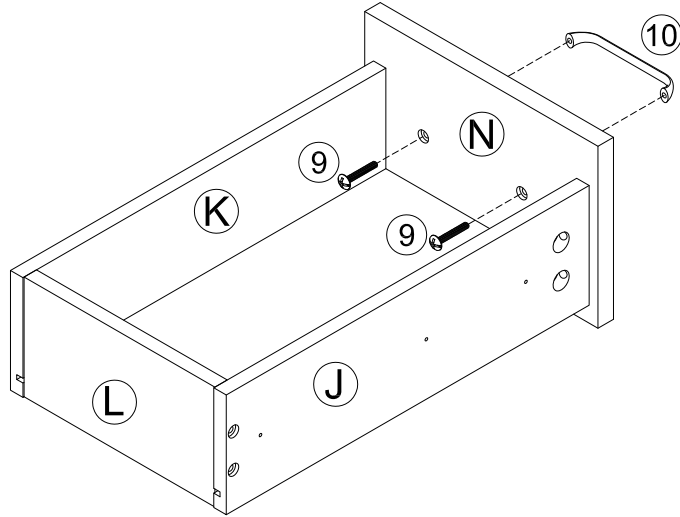
⑤  16pcs
Ø15x9mm



x 4

STEP 23

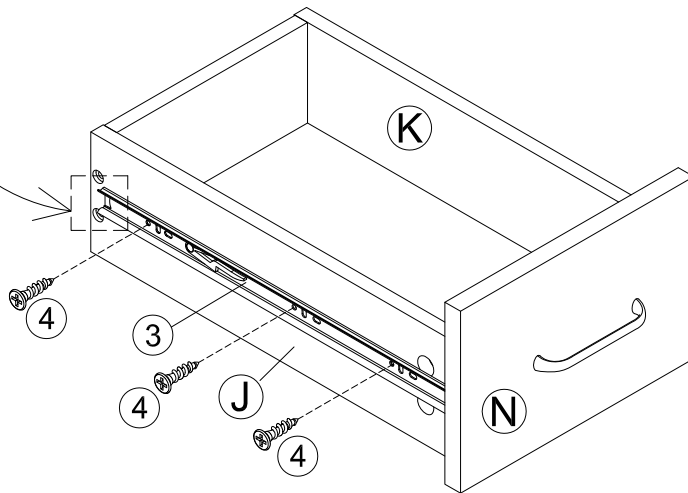
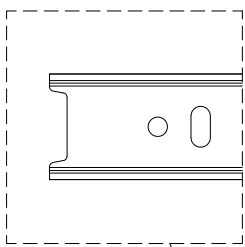
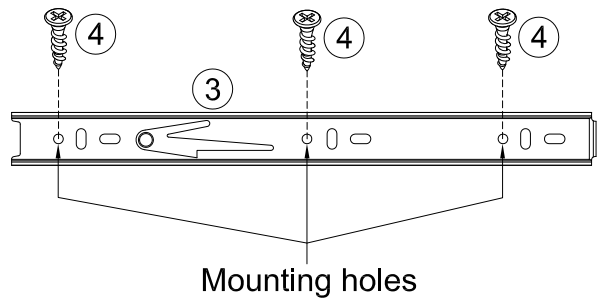
- ⑨  8pcs 5/32"x18mm
- ⑩  4pcs



x 4

STEP 24

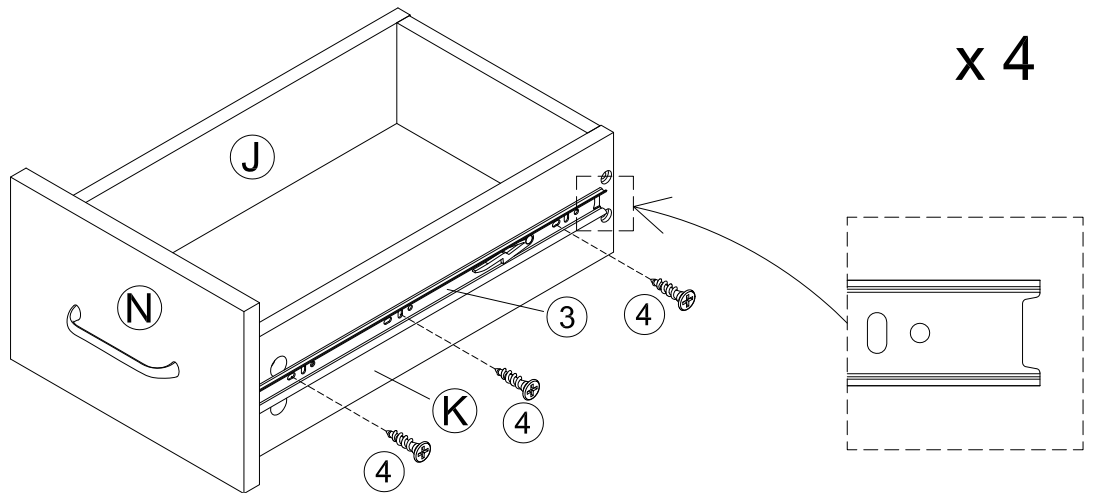
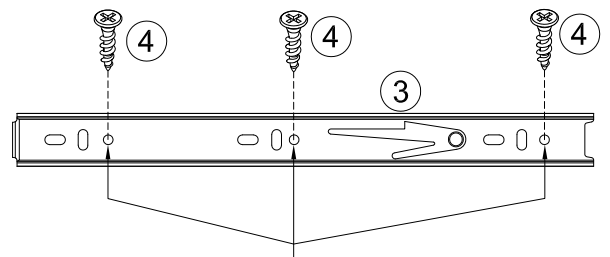
- ③  4pcs
- ④  12pcs Ø3x10mm



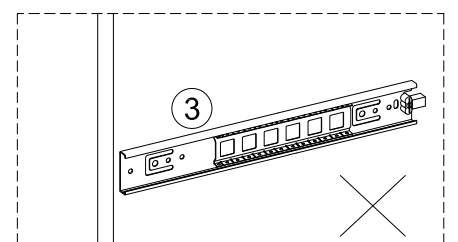
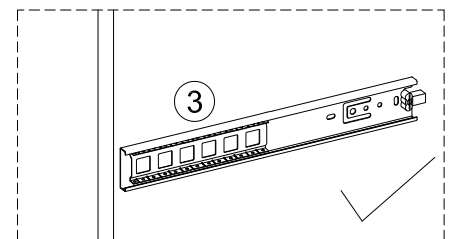
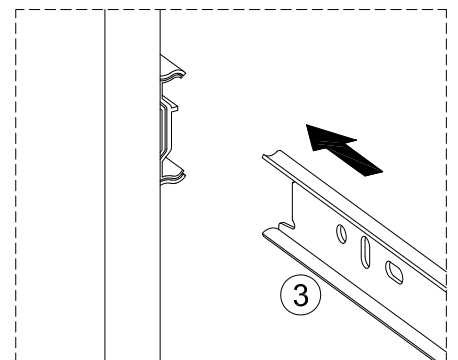
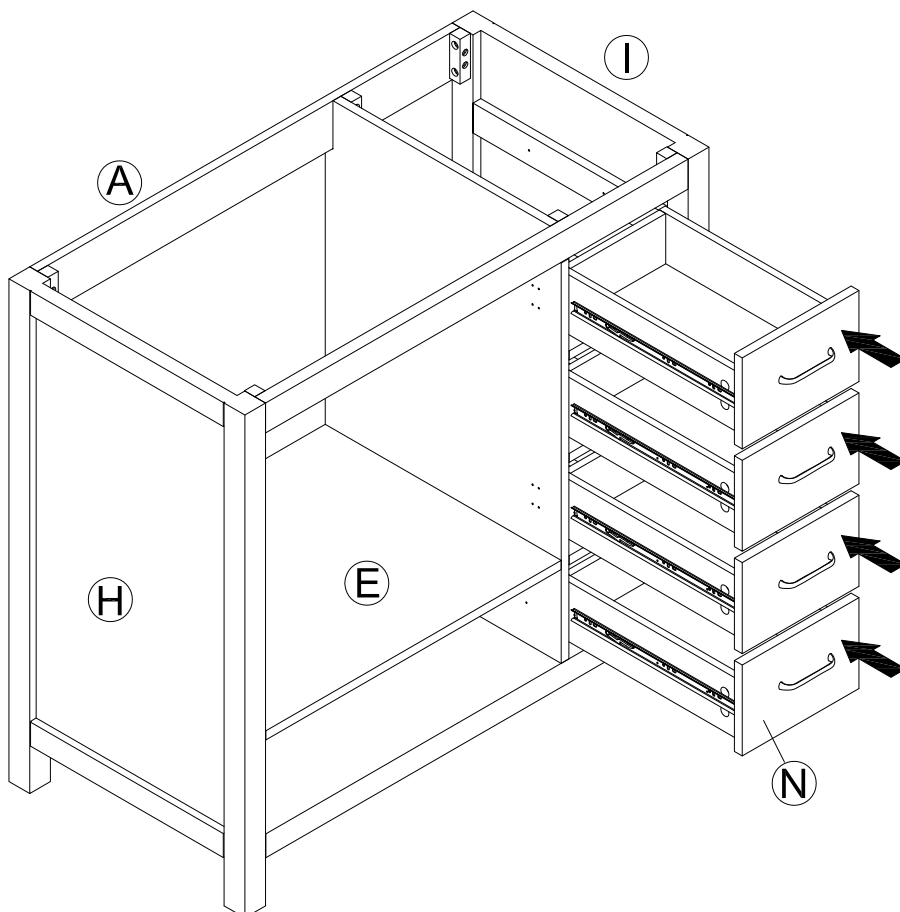
x 4

STEP 25


- ③ 4 pcs ④ 12 pcs
Ø3x10mm

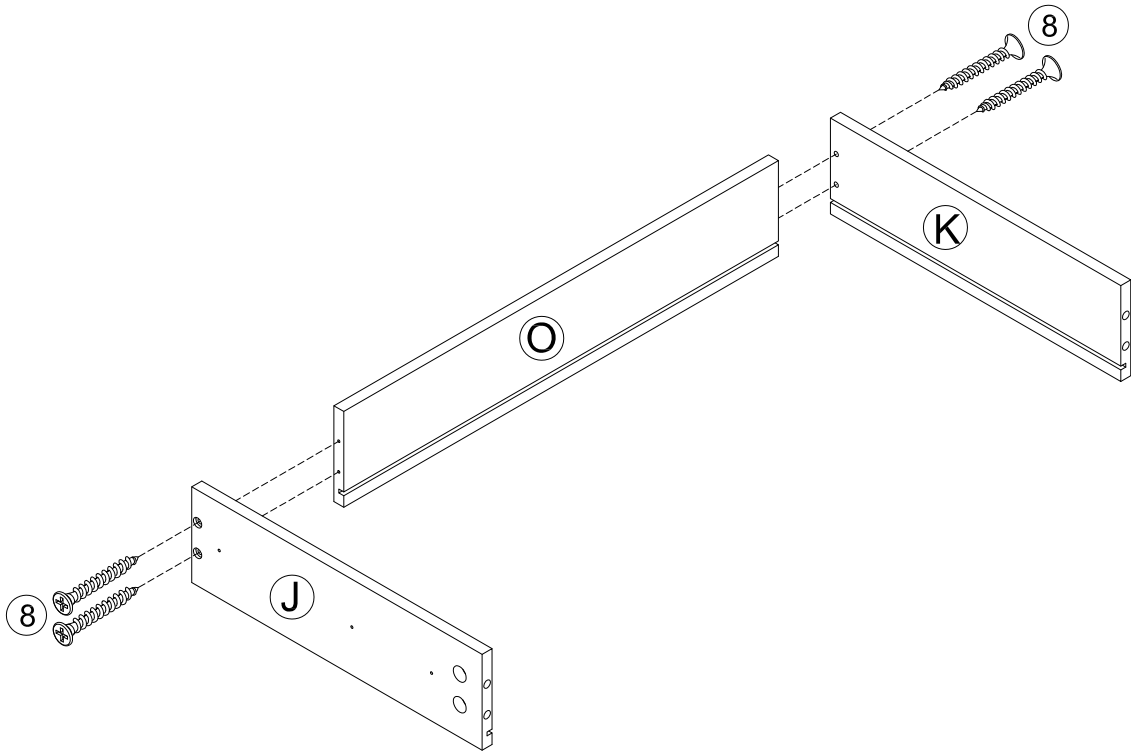


STEP 26

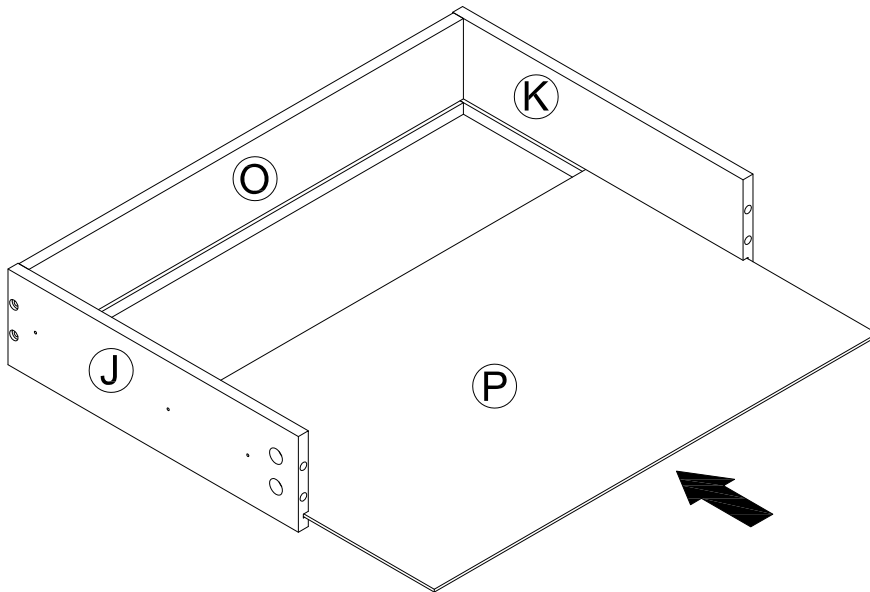


STEP 27


8  4pcs
Ø4x25

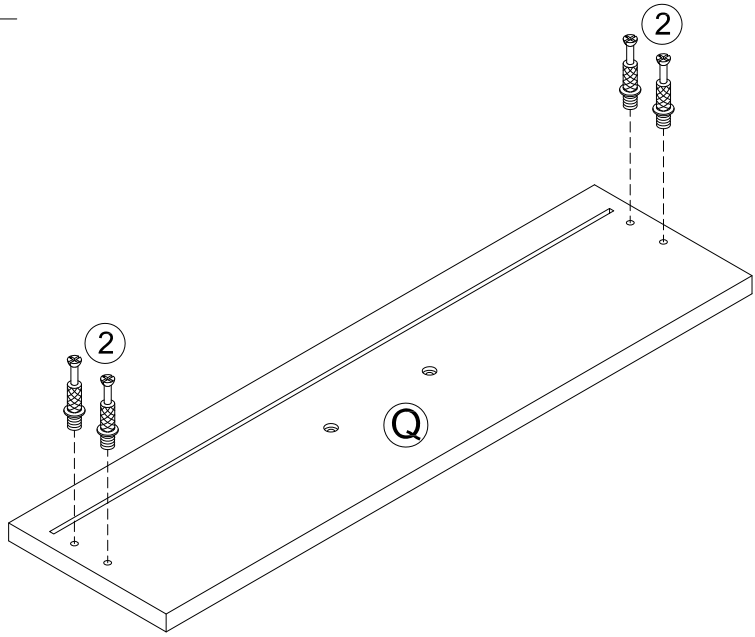


STEP 28



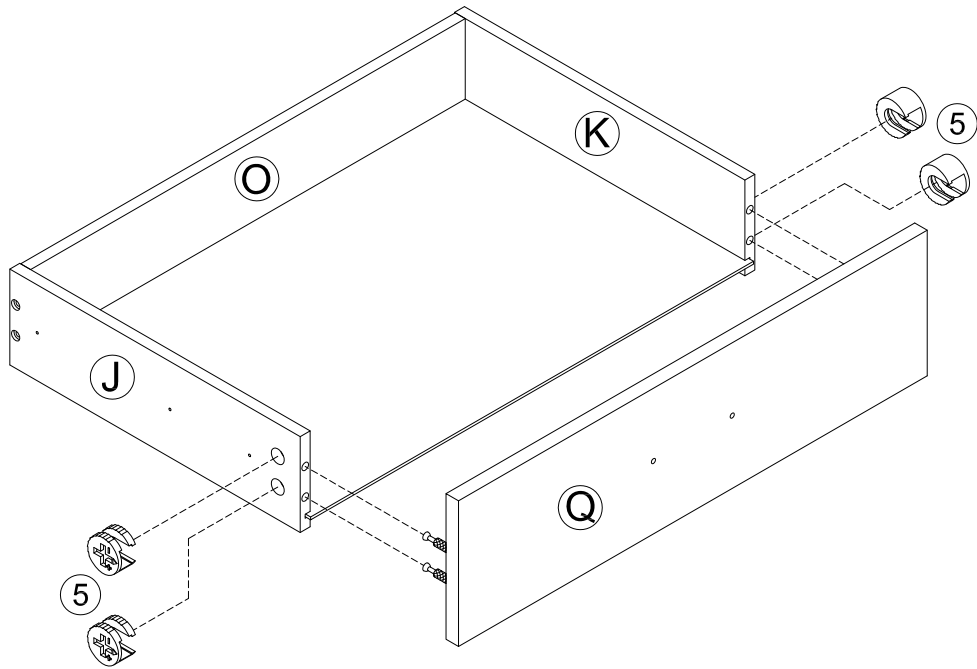
STEP 29

②  4pcs
Ø6x33mm


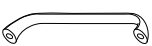


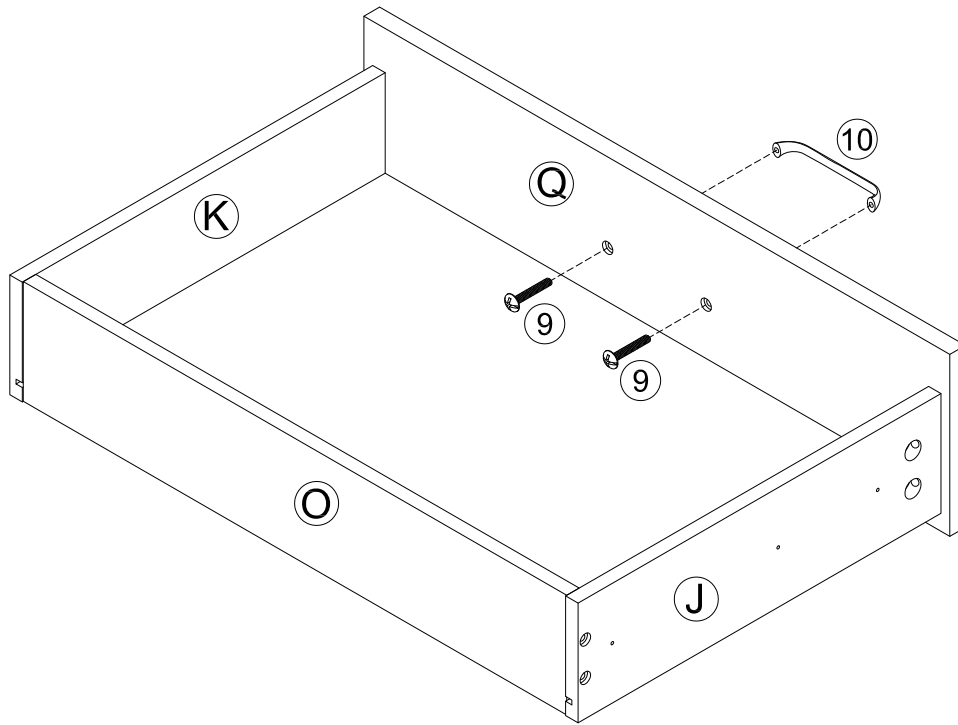
STEP 30

⑤  4pcs
Ø15x9mm

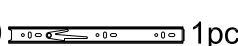
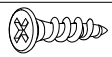


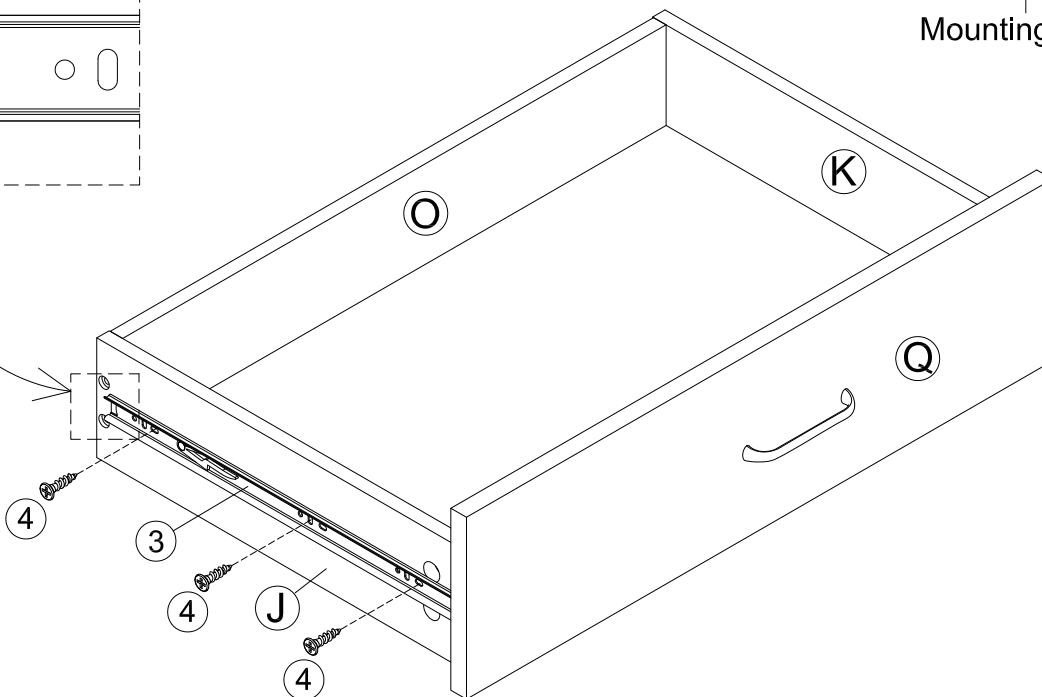
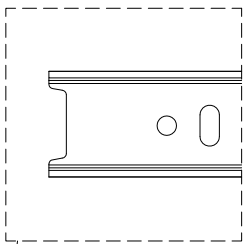
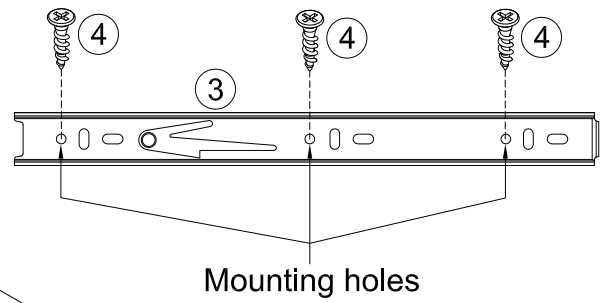
STEP 31

- ⑨  2pcs 5/32"x18mm
⑩  1pc



STEP 32

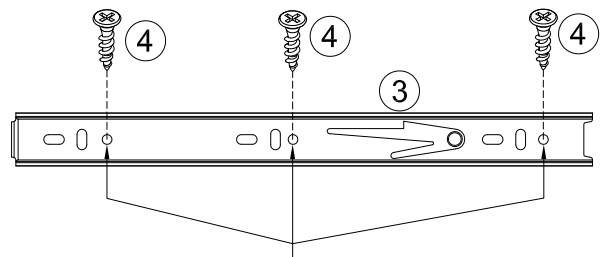
- ③  1pc
④  3pcs Ø3x10mm



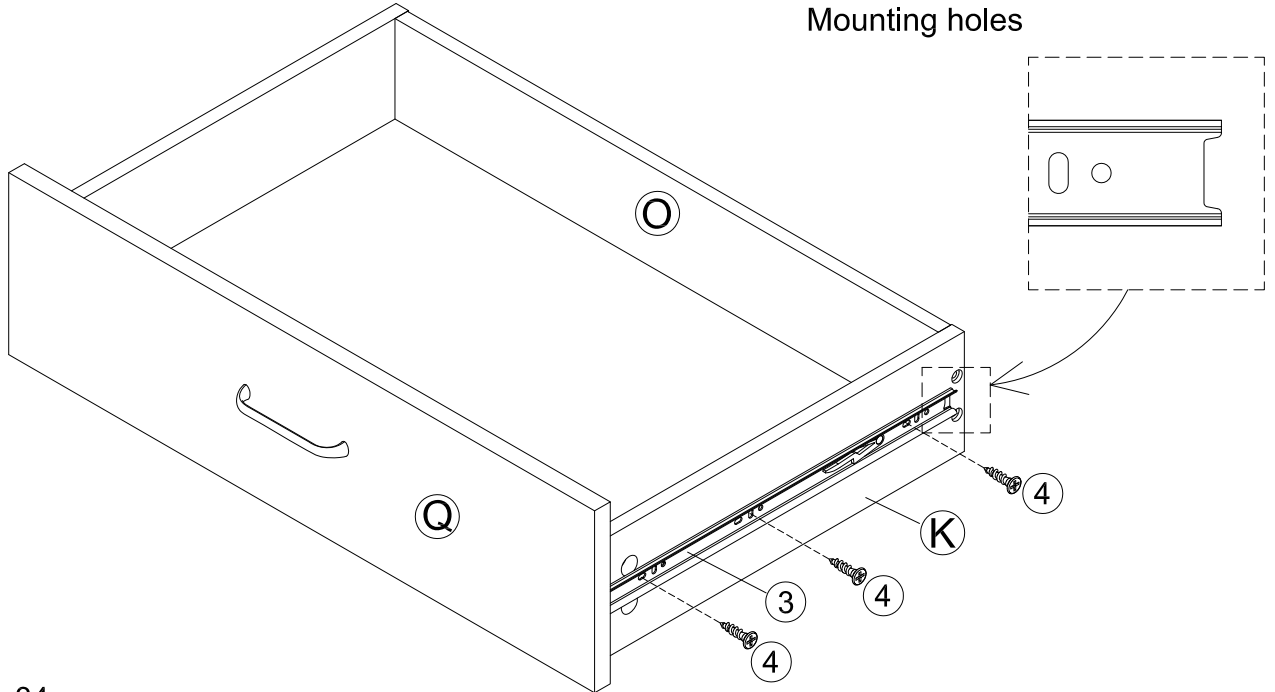
STEP 33

③ 1pc

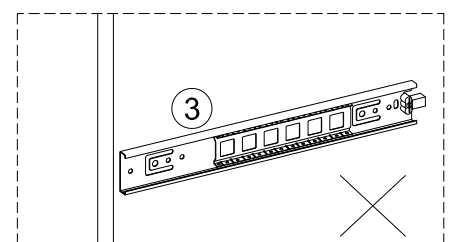
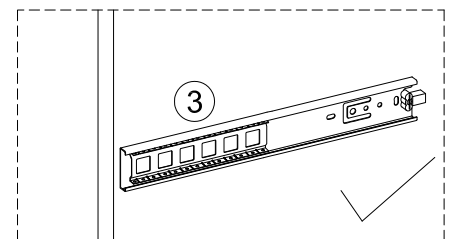
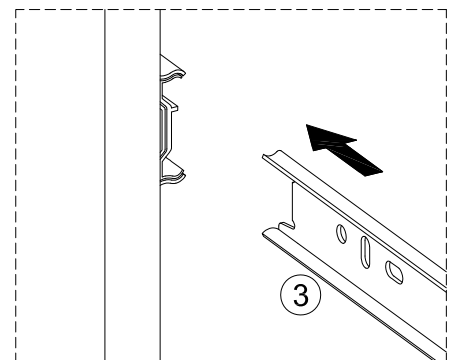
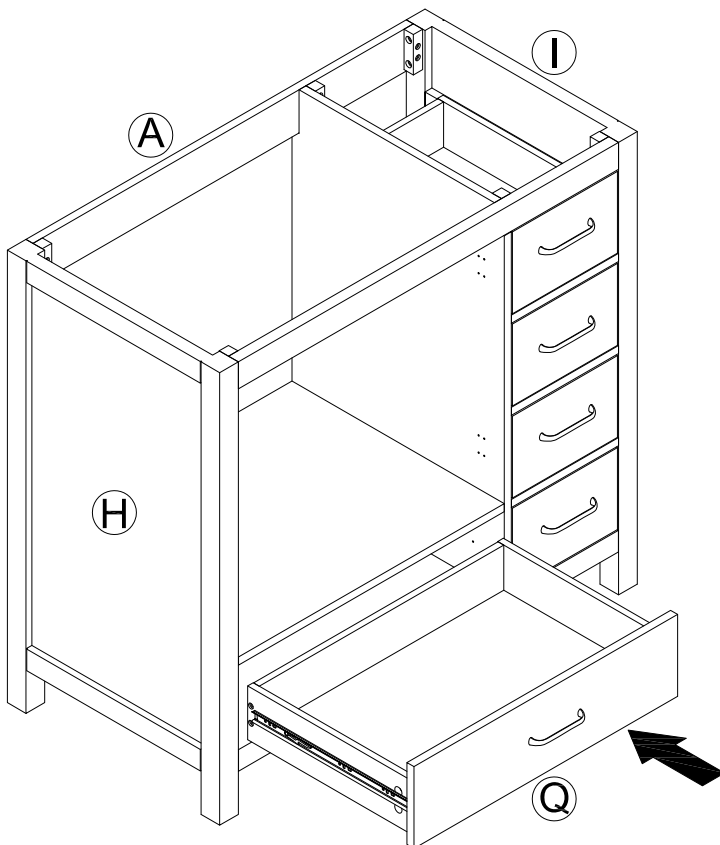
④ 3pcs
Ø3x10mm



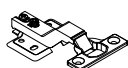
Mounting holes

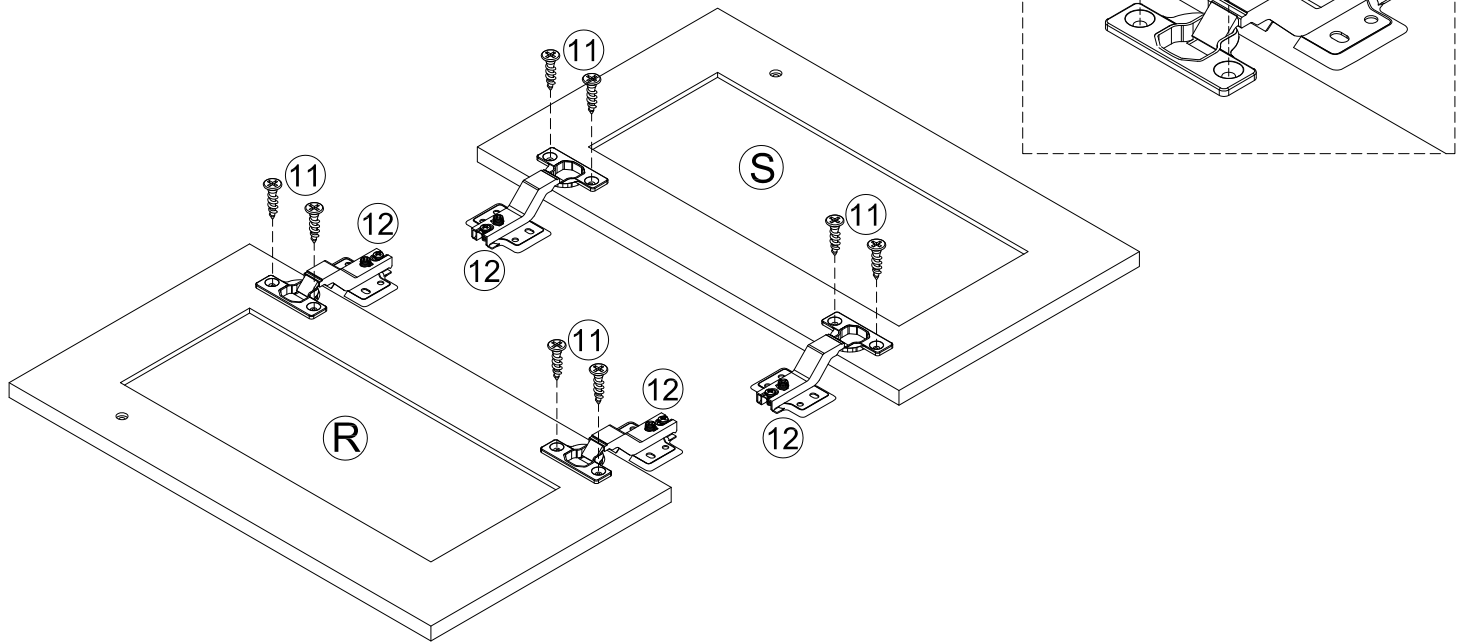


STEP 34



STEP 35

- 
11 $\varnothing 4 \times 12 \text{mm}$ 8pcs
 
12 4pcs

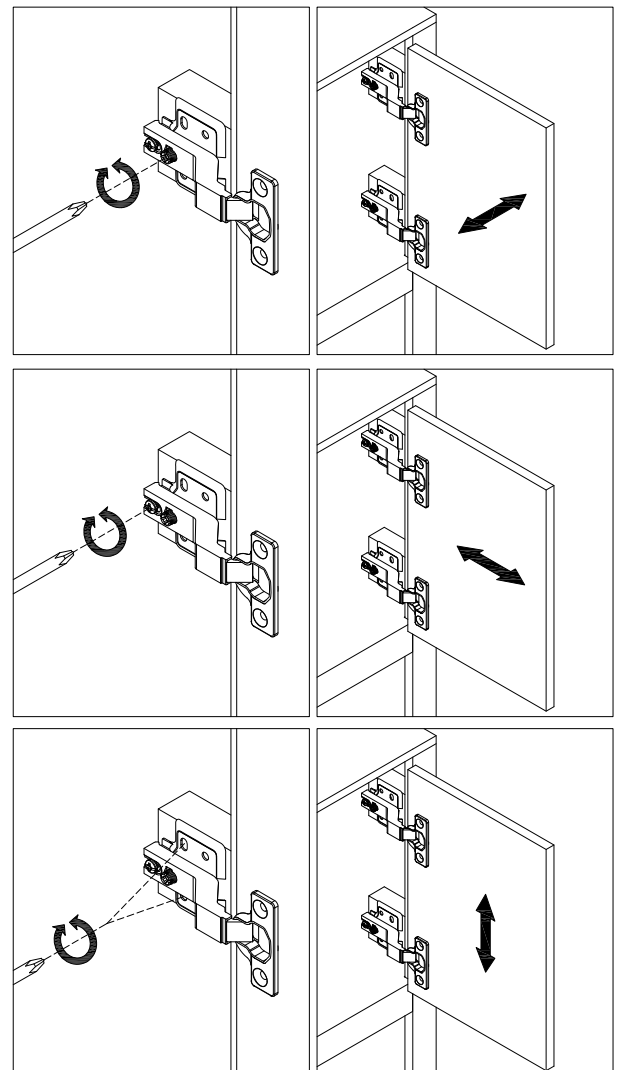
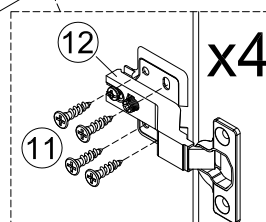
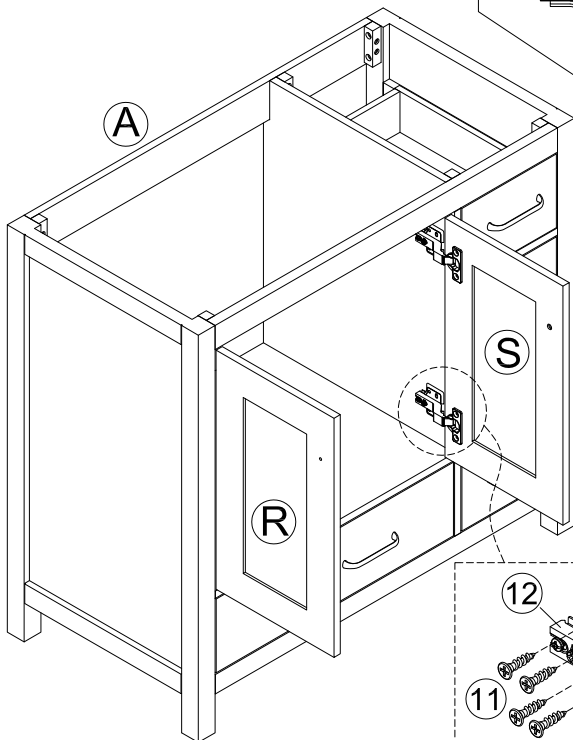
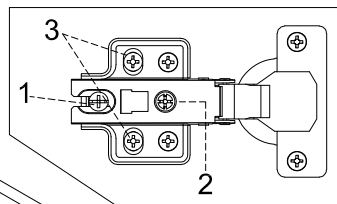


STEP 36

- 
11 $\varnothing 4 \times 12 \text{mm}$ 16pcs

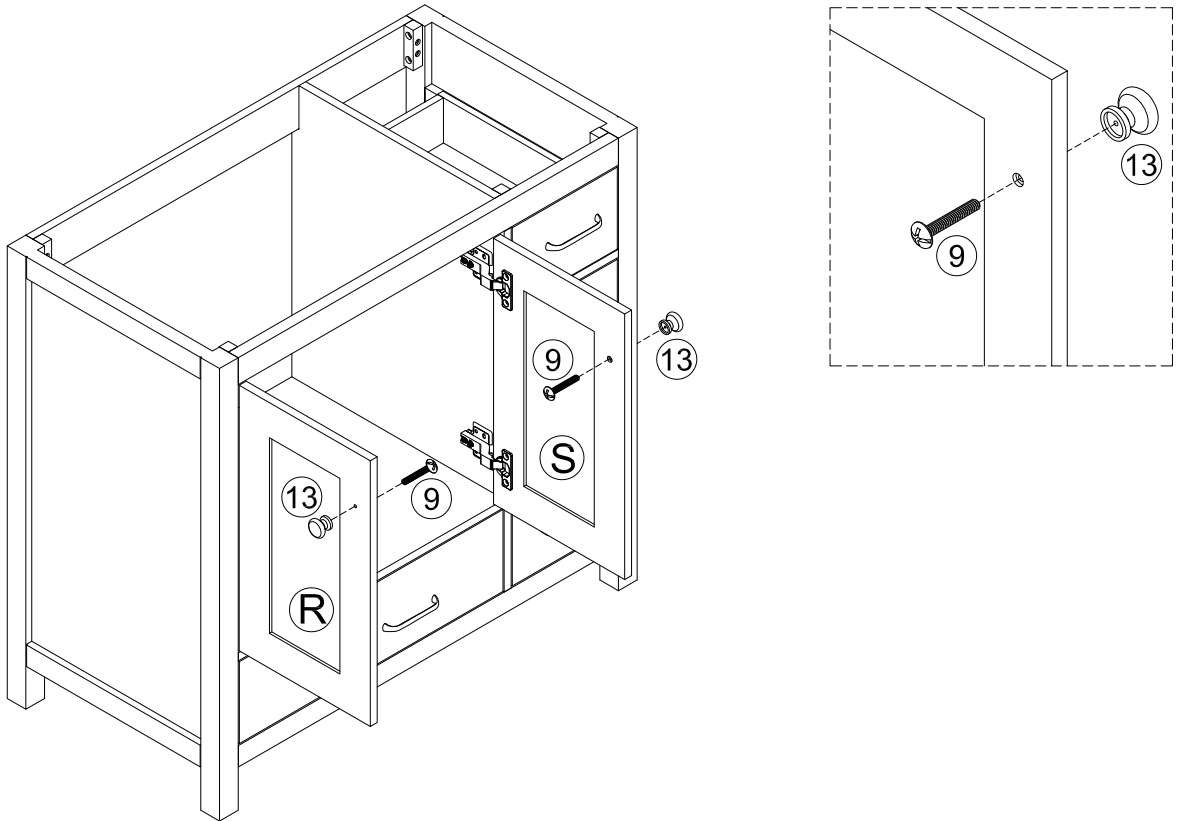
Three-way adjustable hinge for perfectly aligned doors

1. TO ADJUST DOOR FORWARD OR BACKWARD.
2. TO ADJUST DOOR TO RIGHT OR TO LEFT.
3. TO ADJUST DOOR UP OR DOWN.

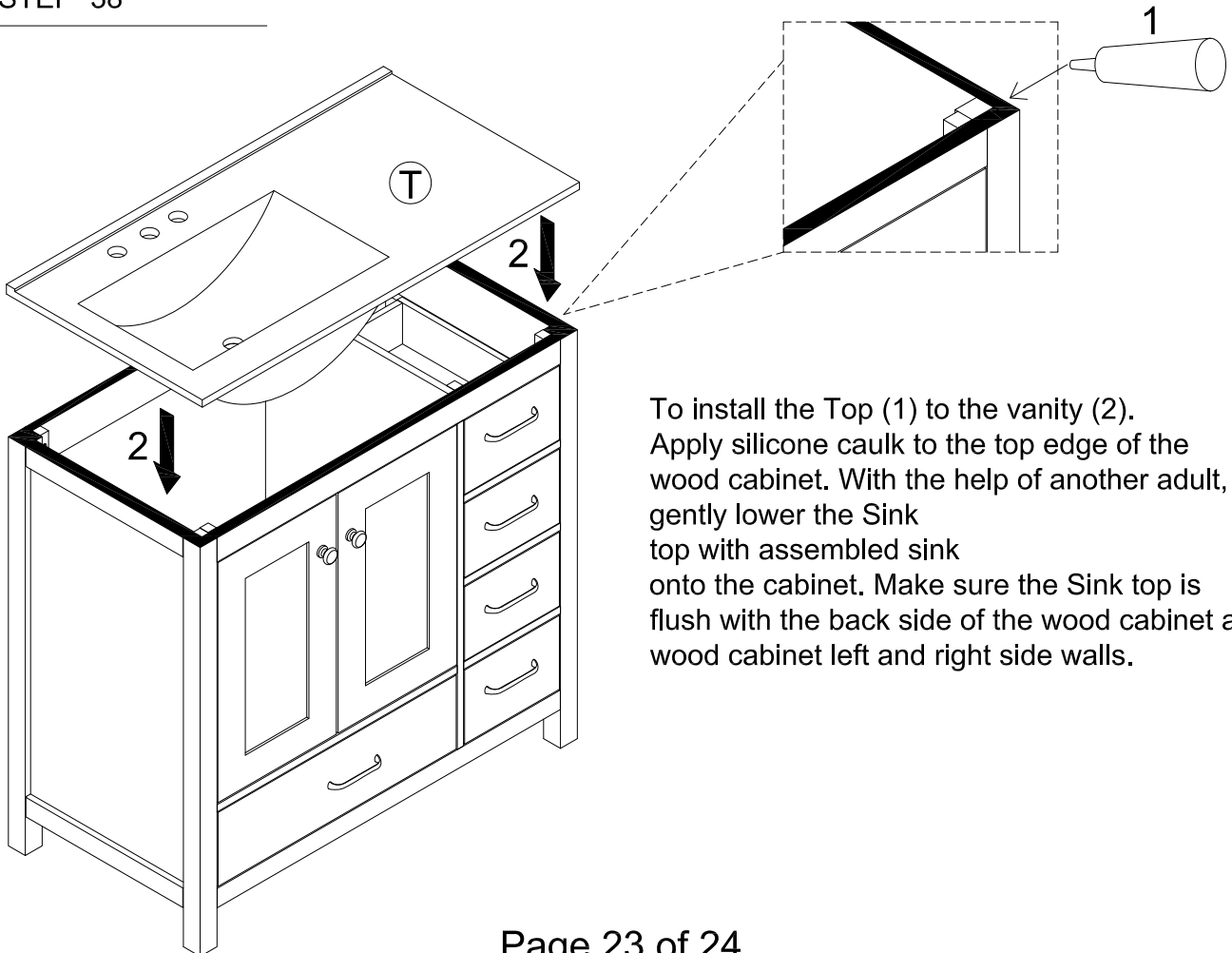


STEP 37

- ⑨ 5/32"x18mm 2pcs ⑬ 2pcs



STEP 38



To install the Top (1) to the vanity (2). Apply silicone caulk to the top edge of the wood cabinet. With the help of another adult, gently lower the Sink top with assembled sink onto the cabinet. Make sure the Sink top is flush with the back side of the wood cabinet and the wood cabinet left and right side walls.

