

## Assembly Instructions

Please take a moment to read through the entire instruction booklet before assembly to familiarize yourself with this product. Once you feel ready to start, follow the instructions step by step and this should make this process as easy as we could make it for you.

# IMPORTANT SAFETY INFORMATION!



## WARNING



- **Read all instructions before using this heater!**
- This heater is hot **when in use**. To avoid burns, **DO NOT** let bare skin touch hot surfaces. If provided, use handles when moving this heater. Keep **combustible materials**, such as furniture, pillows, bedding, papers, clothes, and curtains at least **3 feet (0.9m)** from the front of **the heater**, and **keep them away from the sides and rear**.
- **Extreme caution** is necessary when any heater is used by or near children or invalids and whenever the heater is left **operating and unattended**.
- **DO NOT** operate any heater with a **damaged cord or plug** or after the **heater malfunctions**, has been **dropped** or **damaged in any manner**, Discard heater, or return to authorized service facility for examination and /or repair.
- **DO NOT** run power cord under carpeting. **DO NOT** cover power cord with throw rugs, runners, or similar coverings. **DO NOT** route power cord under furniture or appliances. Arrange power cord away from **traffic area**, and where it will not be tripped over.



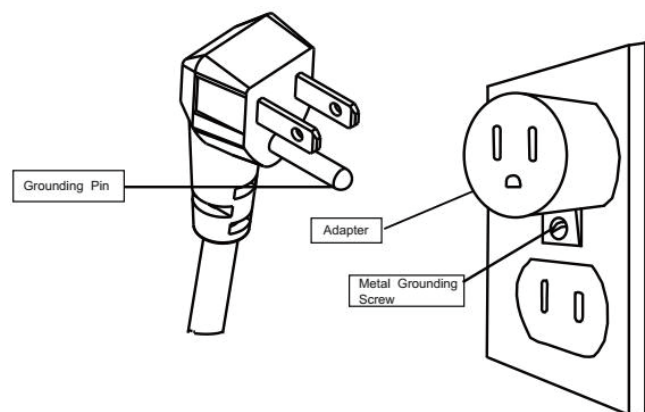
## WARNING



- **Connect to properly grounded outlets ONLY.**
- **DO NOT** insert or allow foreign objects to **enter any ventilation or exhaust openings**, as this may cause **electric shock** or **fire**, or **damage the heater**.
- To prevent a possible fire, **DO NOT** block air intakes or exhaust in any manner. Doing so could cause a fire. **DO NOT** use on soft surfaces, like a bed, where openings may become blocked.
- A heater has **hot and arcing or sparking parts inside**. **DO NOT** use it in areas where **gasoline, paint, or flammable liquids** are used or stored.
- **Use this heater only as described in this manual. Any other use not recommended by the manufacturer may cause fire, electric shock, or injury to persons.**
- **ALWAYS** plug heaters directly into a wall outlet/receptacle. **Never use with an extension cord or relocatable power tap (outlet/power strip).**
- **DO NOT** place the heater near a bed because objects such as pillows or blankets can fall off the bed and be ignited by the heater.
- **NEVER** use this heater in **bathrooms, laundry rooms**, or any other location where the heater could fall into a **bathtub** or **pool**, **become damp** or **come in contact with water**.

- **AVOID FIRE!** Regularly inspect all air vents to make sure they are free from dust, lint, or other Blockage. **Unplug the unit** and clean with a **vacuum ONLY**. **DO NOT** rinse or get wet.
- **ALWAYS** mount to wall bracket before use. **DO NOT** set on the floor, or other surface, to use.
- **NEVER** use a wall mount bracket from another manufacturer.
- This product is **not intended** to be a **primary heat source**. It is for **supplemental heat only**.
- **INDOOR use only!** **NEVER** use this heater **outdoors!** Doing so may result in **electric shock!**
- **Risk of electric shock! DO NOT OPEN!** No user-serviceable parts inside!
- **ALWAYS** turn this heater off before unplugging it from the outlet.
- **ALWAYS disconnect** this unit from the **power supply before** performing any assembly or cleaning, or before relocating the electric fireplace.
- **NEVER** leave this heater unattended. **ALWAYS** unplug this heater when not in use.
- **ALWAYS** store this heater in a dry location. **NEVER** use the fireplace if it has become wet.
- **NEVER** plug this heater into an outlet that is **old, cracked,** or has any **loose wires or connections**. Plugging this heater into a faulty outlet could result in **electric arcing** within the outlet that could cause the **outlet to overheat or catch fire**.
- **ALWAYS** check your heater cord and plug connections with **each use!**
  - i) **MAKE SURE** the plug fits tight in the outlet! Faulty wall outlet connections or loose plugs can cause the outlet to overheat.
  - ii) **Heaters draw more current** than small appliances. **Overheating** may occur even if it has not occurred with the use of other appliances.
  - iii) During use **check frequently** to see if the **plug outlet or face plate is HOT!**
  - iv) If the outlet or face plate is **HOT, discontinue use immediately** and have a qualified electrician inspect and/or replace the faulty outlets.

- The power cord supplied with the heater has a plug with two flat blades (live and neutral) and one round pin (ground). If a 3-slot receptacle is not available, an adapter **MUST** be used. The adapter **MUST** be **properly grounded** to the outlet box (see figure at right). (Note: Adapter NOT INCLUDED.)





## DANGER: ELECTRICAL CORDS CAN BE HAZARDOUS

Misuse Can Result in FIRE or DEATH by ELECTRICAL SHOCK.  
Please read carefully and Follow All Directions.

### BEFORE USE:

- A Cord Set Not to be Marked For Outdoor Use is To Be Used Indoors Only.
- Inspect Thoroughly Before Each Use.
- **DO NOT USE IF DAMAGED.**
- Look for the **NUMBER OF WATTS** On Appliances To Be Plugged Into Cord.
- See PRODUCT or LABEL Markings for SPECIFIC WATTAGE.
- Do Not Plug More Than the **SPECIFIED NUMBER OF WATTS** Into This Cord.
- Do Not Run Through Doorways, Holes in Ceilings, Walls or Floors.
- Make sure Appliance is OFF Before Connecting Cord into Outlet.
- **FULLY INSERT** Plug into Outlet.
- Do Not Remove, Bend or Modify Any Metal Prongs or Pins of Cord.
- Do Not Use Excessive Force to Make Connections.
- Do Not Connect a Three-Prong Plug to a Two-Hole Cord.

### DURING USE:

- Keep Away From Water
- **DO NOT USE WHEN WET.**
- Keep Children and Pets Away from Cord.
- Do Not Plug One Extension Cord into Another
- **AVOID OVERHEATING.** Uncoil Cord and Do Not Cover It with Any Material.
- Do Not Drive, Drag or Place Objects Over Cord.
- Do Not Walk On Cord.

### AFTER USE:

- GRASP PLUG to Remove from Outlet.
- Always Store Cord INDOORS.
- Always Unplug When Not In Use.
- Do Not Unplug By Pulling on Cord.

TECHNICAL SPECIFICATION	
Voltage	120V
Frequency	60Hz
Watts	1400 Watts

# PREPARATION



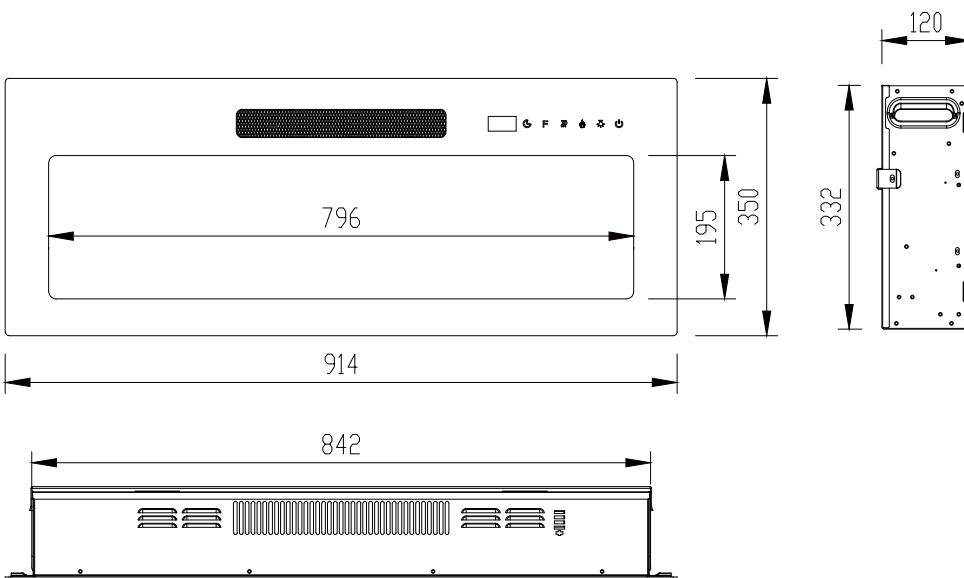
This product includes a **GLASS** panel! Always use **extreme caution** when handling **glass**. Failure to do so could result in **personal injury or property damage**.

Remove all parts and hardware from the carton and place them on a clean, soft, dry surface. Parts and assembly steps are grounded for wall-hanging or recessing use. Check the parts list to make sure nothing is missing. Dispose of packaging materials properly. Please recycle whenever possible. You will need the following tools (not included): Phillips screwdriver; stud finder; level; tape measure; electric drill; 1/4" wood drill bit, hammer.

# PARTS & HARDWARE

<p>a. Fireplace</p>	<p>Crystal</p>	<p>b. Wood Screws 9+2 pcs</p>	<p>c. Drywall anchors 9+2 pcs</p>
	<p>Remote Control</p>	<p>Wall Bracket ( fixed on back of firebox)</p>	

# Specification and Dimension



# Installation and Assembly

Your appliance is a wall-mounted, recessed and /or mantel installed appliance. Select a suitable location that is not susceptible to moisture and is away from drapes, furniture and high traffic areas.

**NOTE: Follow all National and local electrical codes.**

## MINIMUM CLEARANCE TO COMBUSTIBLES

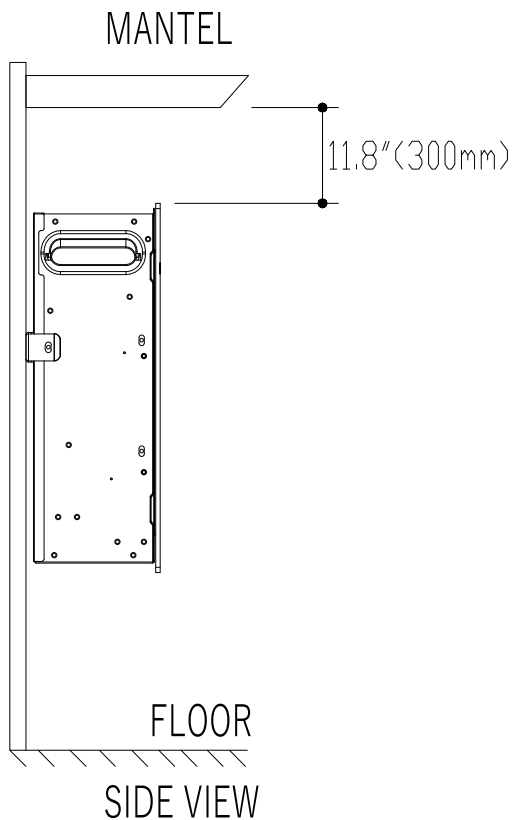
Measurements are taken from the glass front.

<b>Bottom</b>	<b>0"</b>	<b>Top</b>	<b>11.8"(300mm) to mantel</b>
<b>Sides</b>	<b>0"</b>	<b>Top</b>	<b>11.8"(300mm) to ceiling</b>
<b>Back</b>	<b>0"</b>		

## MINIMUM MANTEL CLEARANCES

### WARNING

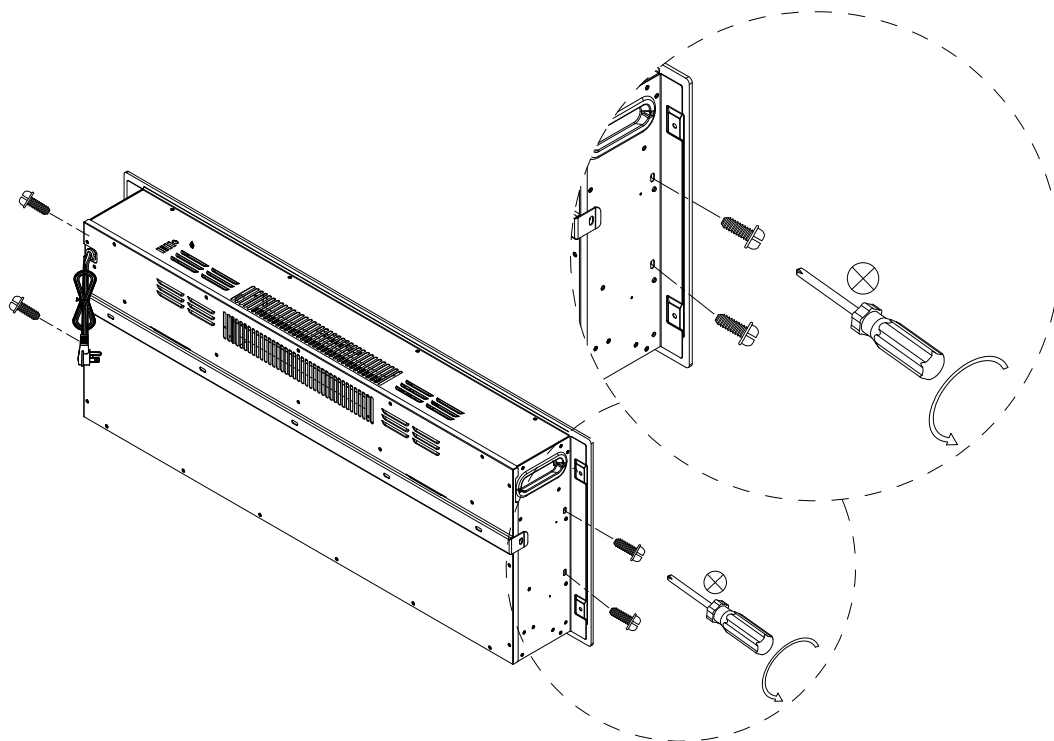
WHEN USING PAINT OR LACQUER TO FINISH THE MANTEL, THE PAINT OR LACQUER MUST BE HEAT RESISTANT TO PREVENT DISCOLOURATION



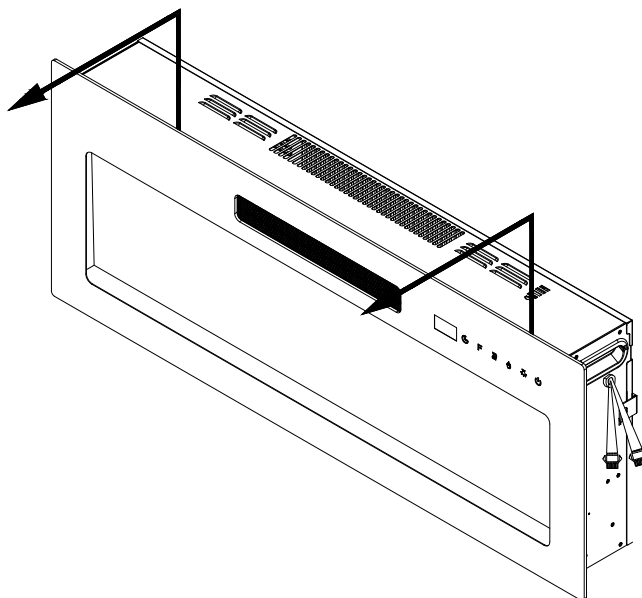
## RECESSED TO WALL INSTALLATION

## Recessed Installation

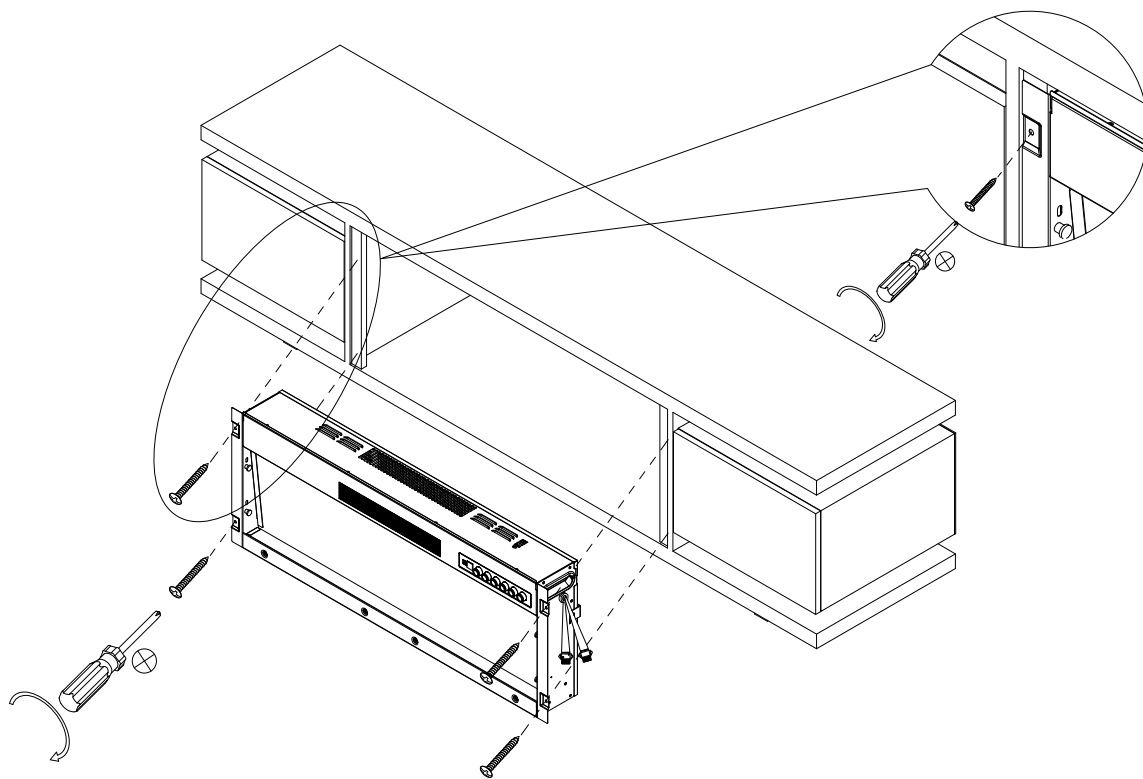
A. Remove four pcs screws at both sides.



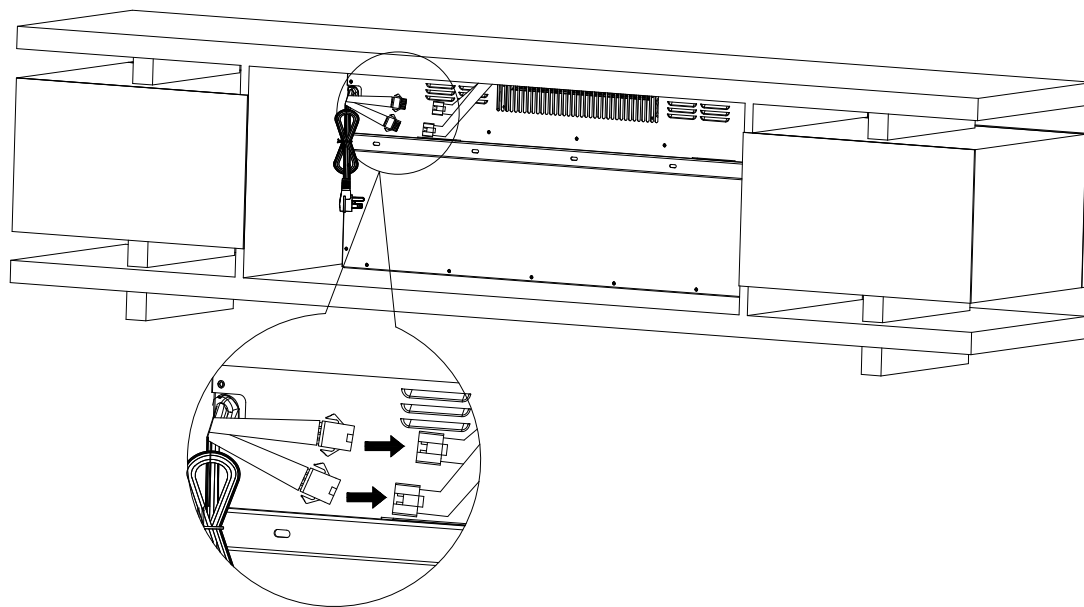
B. Lift the glass combination up and take it out



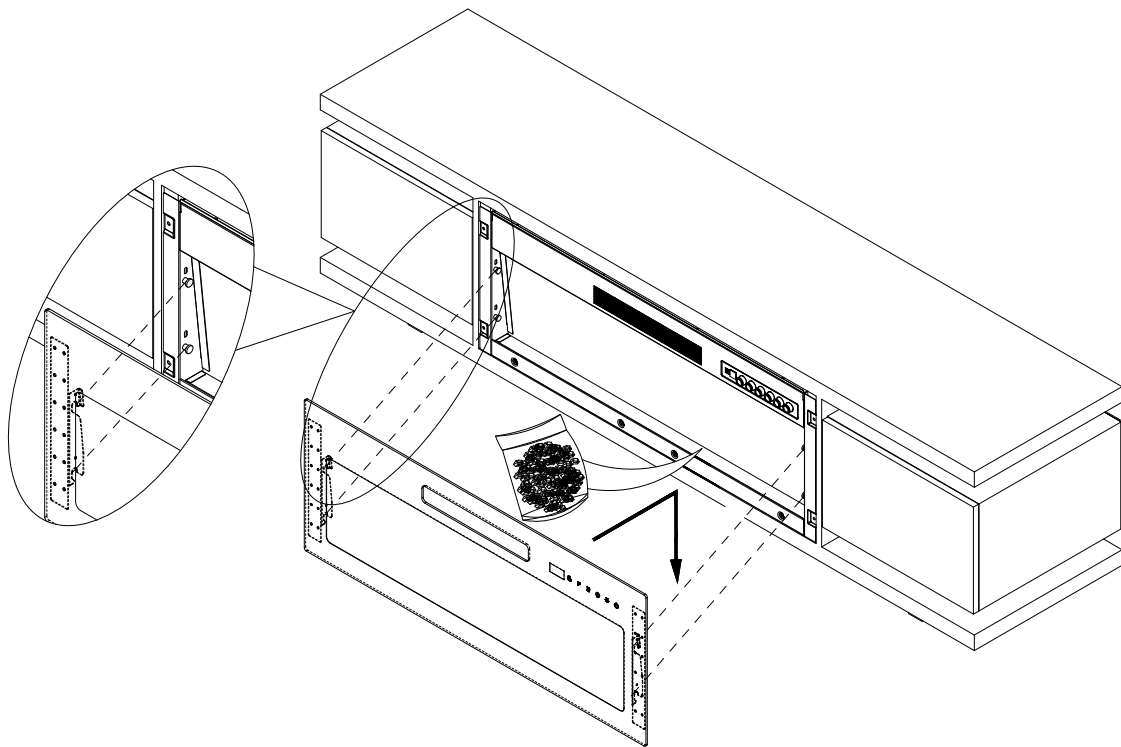
C. Place the electric fireplace in the wooden cabinet from front to back and fix the electric fireplace to the wooden cabinet with 4 screws.



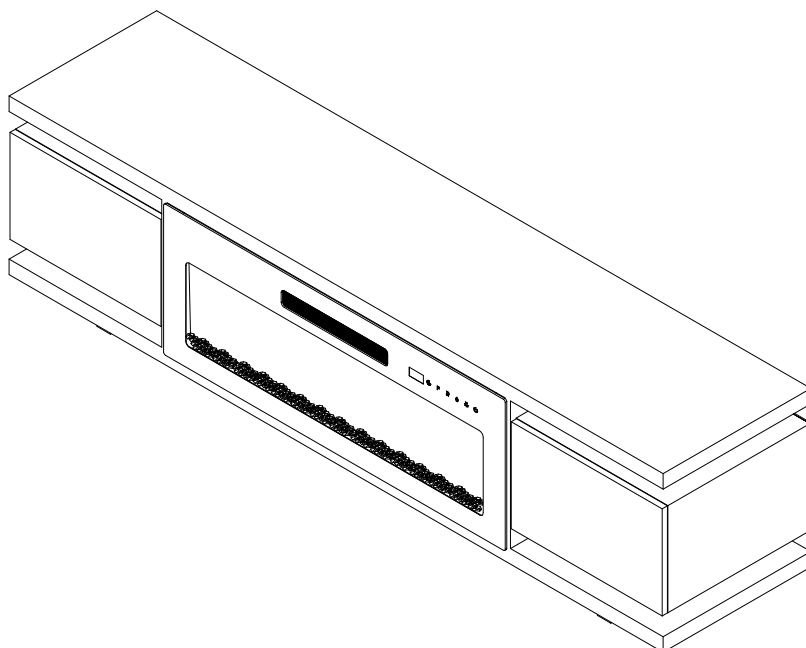
D. Connect the backgroundlights.



E. Put the crystal on the tray and put the front glass assembly in the electric fireplace.

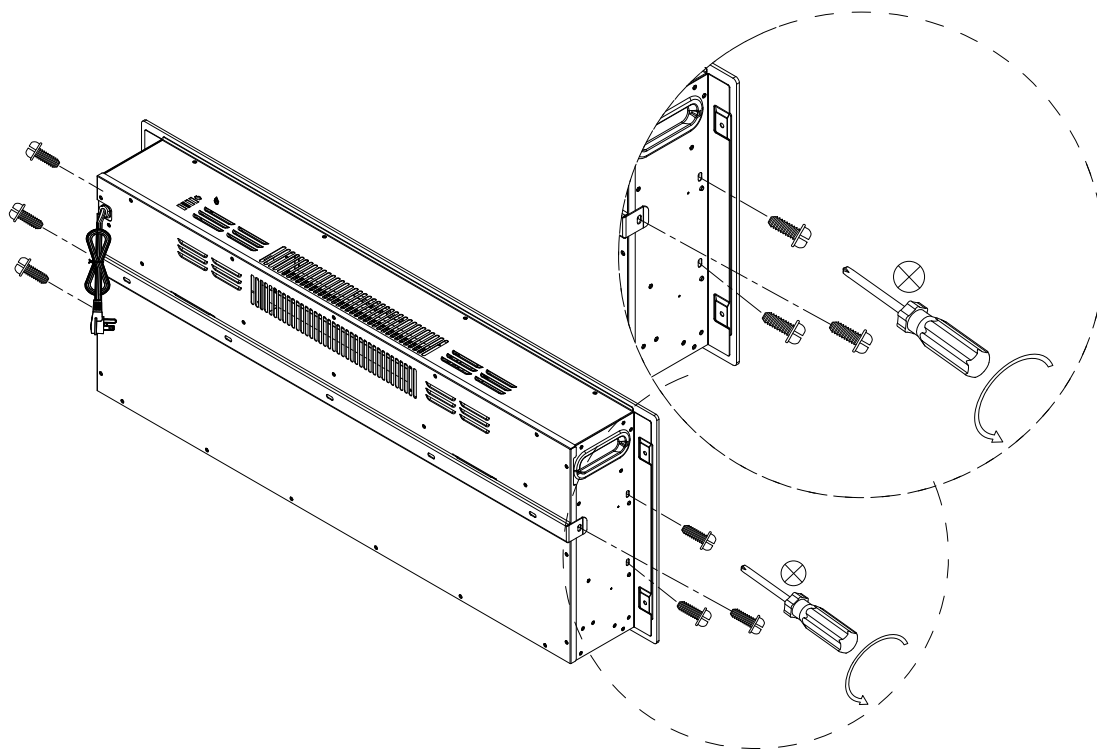


F. Done!

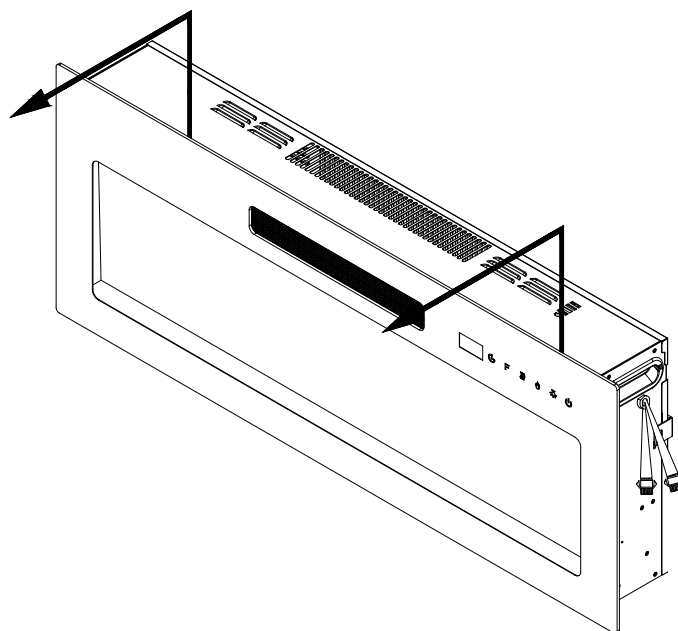


## Wall Mount Instructions

A. Remove the 6 cushioned self-tapping screws holding the glass assembly and rear pylon



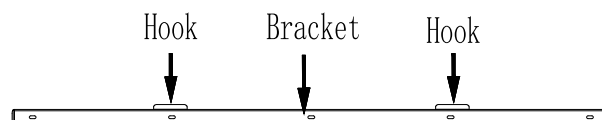
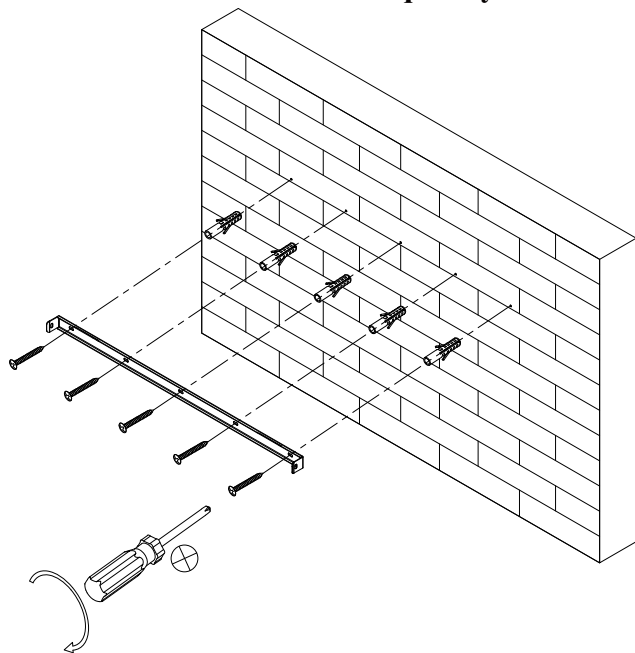
B. Remove the glass assembly and place it as shown for installation



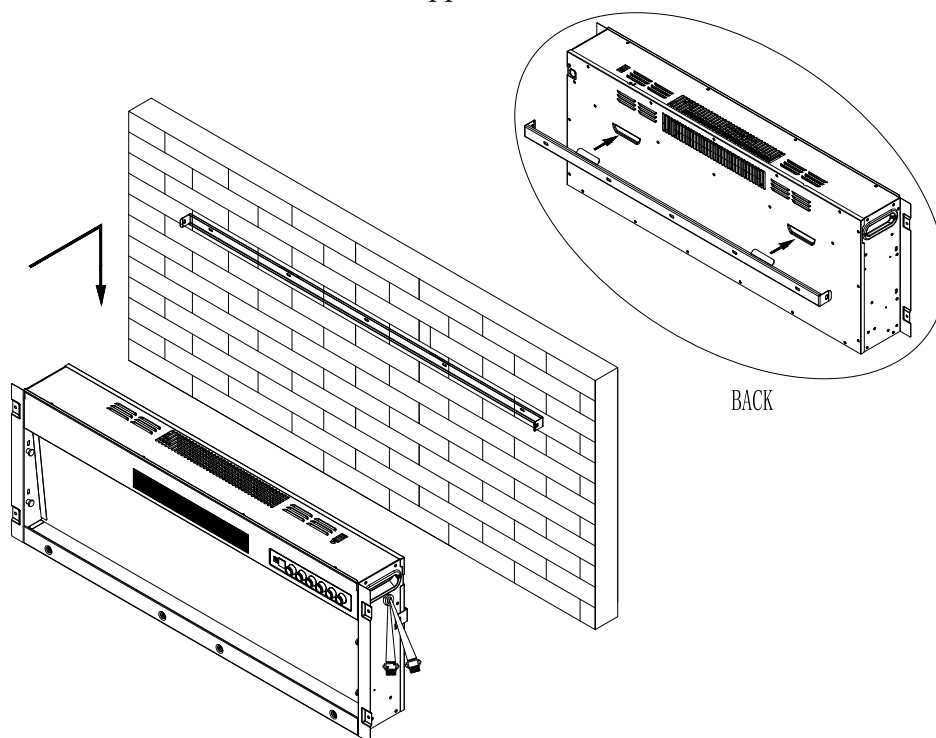
C..Mark out location, then mount the bracket(s) onto the wall using the supplied screws. This bracket **MUST** have the hooks facing upward and be level.

**NOTE: It is strongly Recommended that the mounting bracket(d) be screwed into the wall studs where possible.**

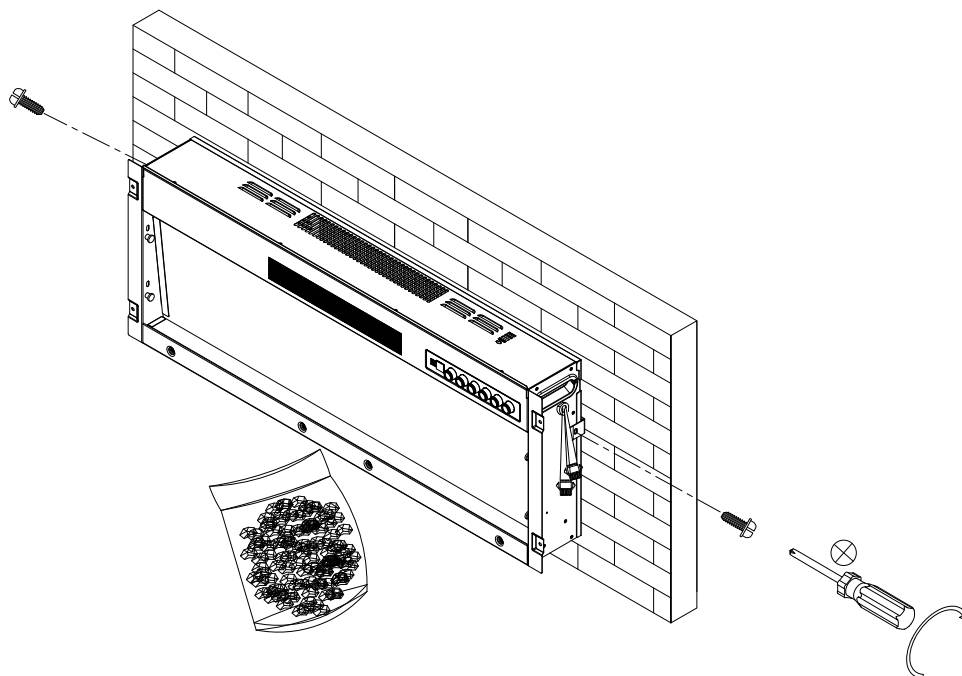
**If the wall studs cannot be used, ensure that the supplied plastic anchors are used to affix the bracket to the wall and the bracket is adequately secured.**



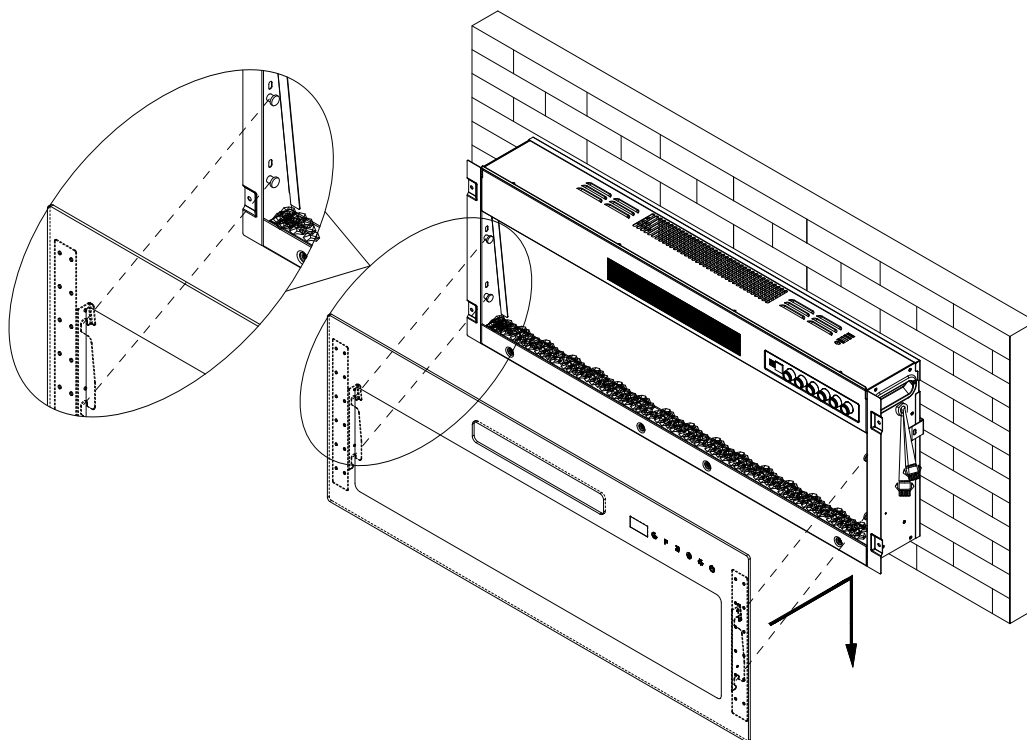
D.With the wall mounting bracket installed have two people lift the appliance up and insert the two hooks on the bracket into the two slots on the back of the appliance



E. Use original screws to fasten wall bracket, Install the crystal.



F. Put the front glass assembly into the electric fireplace.  
Done!



# WARNING



Read and understand this entire owner's manual, including all safety information, before plugging in or using this product. Failure do to so could result in electric shock, fire, serious injury, or death.

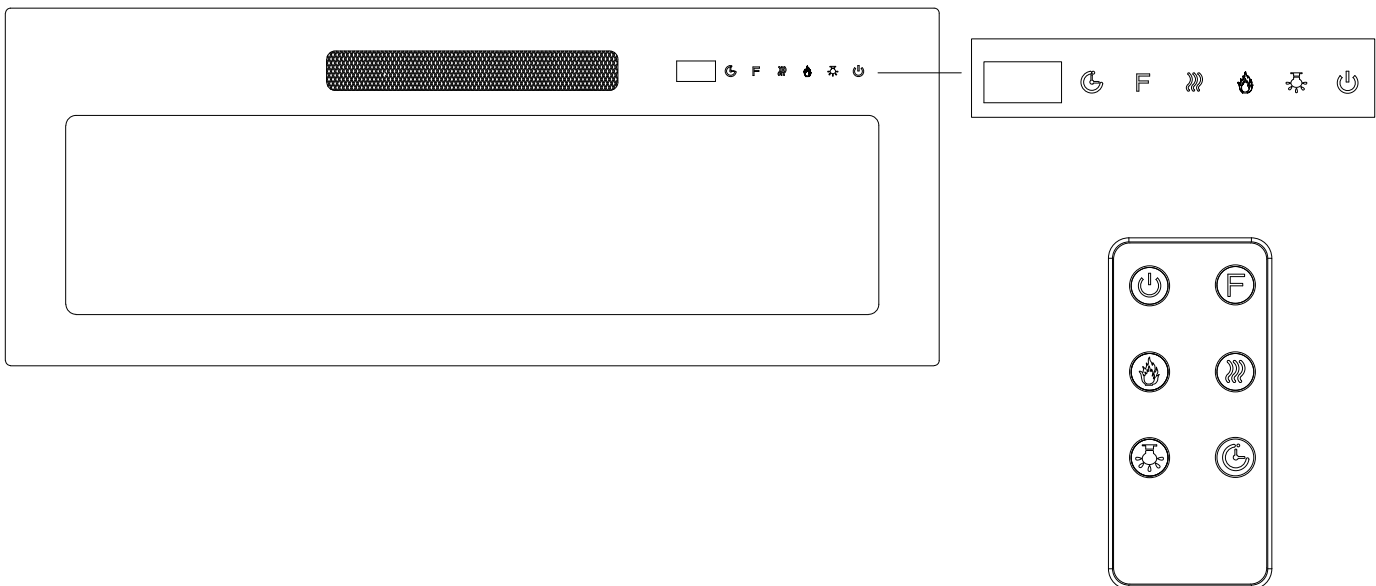
## Power

Plug the power cord into a 110-120V Volt 12 Amp grounded outlet (see IMPORTANT SAFETY INFORMATION on Pages 2 and 3). Make sure the outlet is in good condition and that the plug is not loose. NEVER exceed the maximum amperage for the circuit. DO NOT plug other appliances into the same circuit.







## Methods of Operation

This electric fireplace can be operated by the TOUCH PANEL, located on the TOP right side glass panel of the fireplace, or by the battery-powered REMOTE CONTROL. The operation and functions of the two methods are the same.

Before operating, please review the IMPORTANT SAFETY INFORMATION on Pages 2 and 3, and heed all warnings.



## Touch panel/Remote control Operation

 <b>POWER</b>	<p>ON: Enables control panel functions and remote control. Turn on flame effect.</p> <p>OFF: Disables control panel functions and remote control. Turn off flame effect.</p>	<ol style="list-style-type: none"> <li>1. Press once. Indicator light turns on. Power turns on. All functions enabled.</li> <li>2. Press again. Indicator light turns off. Power turns on. All functions will off.</li> </ol>
 <b>COLOR</b>	<p>Flame + Background lights: Makes the color flame effect changing.</p>	<ol style="list-style-type: none"> <li>1. Press once. Flame color effect gets changing.</li> <li>2. Press again until desired setting is reached</li> <li>3. Press the button for 2 seconds to turn off/on the Background lights</li> </ol>
 <b>FLAME</b>	<p>FLAME button: Makes flame effect dimmer and brighter and speed.</p>	<ol style="list-style-type: none"> <li>1. Press once. Flame brightness effect gets changing.</li> <li>2. Press again. Until desired setting is reached.</li> <li>3. Press the button 4 seconds to adjust the flame speed</li> </ol>
 <b>HEATER</b>	<p>HEATER button: Turn heater on and off.</p> <p>NOTE: To prevent overheating, the heater fan will blow out cool air for 30 seconds after the heater turn off.</p>	<ol style="list-style-type: none"> <li>1. Press once. Indicator lights up. 750W heater turns on and blows warm air.</li> <li>2. Press again. Indicator lights up. 1500W heaters turns on and blows hot air.</li> <li>3. Press again. Heaters turn off. The fan blows cool air for 30 seconds to allow heater to cool down, then turns off.</li> </ol>
 <b>TEMP.</b>	<p>TEMPERATURE button: Control temperature settings to choose temperature as desired.</p> <p>Setting range from 62F to 82F.</p>	<ol style="list-style-type: none"> <li>1. Press once. Indicator light turn on. Temperature is set to 72F.</li> <li>2. Press again until desired setting is reached. LED display show setting.</li> <li>3. Press the button for 5 seconds to change °F/°C</li> </ol>
 <b>TIMER</b>	<p>TIMER button: Control timer settings to turn off fireplace at selected time.</p> <p>Settings range from 1 hours to 8 hours.</p>	<ol style="list-style-type: none"> <li>1. Press once. Indicator light turn on. Temperature is set to hours.</li> <li>2. Press again until desired setting is reached. LED display show setting.</li> </ol>

### **NOTICE**

When the heater is first turned on, a slight odor may be present. This is normal and should not occur again unless the heater is not used for a long period of time.

### **NOTICE**

To improve operation, aim the remote control at the front of the fireplace. DO NOT press the buttons too quickly. Give the unit time to respond to each command.

### **Temperature Limiting Control**

This heater is equipped with a Temperature Limiting Control. Should the heater reach an unsafe temperature, the heater will automatically turn OFF. To reset:

1. Unplug the power cord from the outlet.
2. Turn the ON/OFF switch on the CONTROL PANEL to OFF. Wait 5 minutes.
3. Inspect the fireplace to make sure no vents are blocked, or clogged with dust or lint. If they are, use a vacuum to clean the vent areas.
4. With the POWER switch in the OFF position, plug the power cord back into the outlet.
5. If the problem continues, have your outlet and wiring inspected by a professional.



**NEVER** dispose of batteries in fire. Failure to observe this precaution may result in an explosion. Dispose of batteries at your local hazardous material processing center.

## CARE AND MAINTENANCE

### Cleaning



**ALWAYS** turn the heater **OFF** and **unplug the power cord from the outlet** before cleaning, performing maintenance, or moving this fireplace. Failure to do so could result in **electric shock, fire, or personal injury.**



**NEVER** immerse in water or spray with water. Doing so could result in **electric shock, fire, or personal injury.**

#### **Metal:**

- Buff using a soft cloth, slightly dampened with a citrus oil-based product.
- **DO NOT** use brass polish or household cleaners as these products will damage the metal trim.

#### **Glass:**

- Use a good quality glass cleaner and dry thoroughly with a paper towel or lint-free cloth.
- **NEVER** use abrasive cleansers, liquid sprays, or any cleaner that could scratch the surface.

#### **Vents:**

- Use a vacuum or duster to remove dust and dirt from the heater and vent areas.
- Clean the exterior of the fireplace with a slightly damp cloth or duster.

### Maintenance



**Risk of electric shock! DO NOT OPEN! No user-serviceable parts inside!**



**ALWAYS** turn the heater **OFF** and **unplug the power cord from the outlet** before cleaning, performing maintenance, or moving this fireplace. Failure to do so could result in **electric shock, fire, or personal injury.**

#### **Electrical and Moving Parts:**

- The fan motors are lubricated at the factory and will not require lubrication.
- Electrical components are integrated in the fireplace and are not serviceable by the consumer.

#### **Storage:**

- Store heater in a clean dry place when not in use.

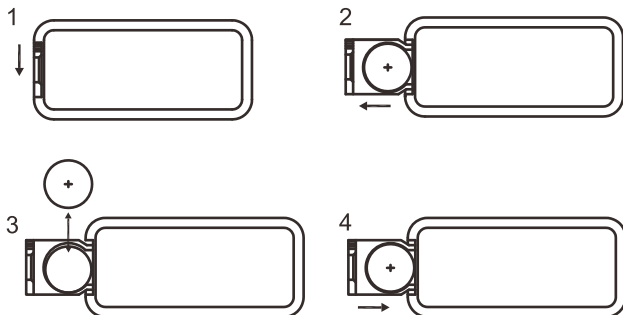


**WARNING!** No other servicing should be performed by the consumer. Do not attempt to service the unit yourself.

## REPLACING THE REMOTE CONTROL BATTERY

When the remote control stops operating or its range seems reduced, it is time to replace the battery with new ones.

3 volt lithium coin cell type 2025.



### NOTE:

Caution for Ingestion.

Do not mix alkaline, standard (carbon-zinc), or rechargeable (ni-cad, ni-mh, etc) batteries.

Battery should be removed if the product is to be left unused for a long time.

Please operate the remote control at a slow measured pace. Press the remote control buttons with an even motion and gentle pressure. Repeatedly pressing buttons in rapid succession may cause the transmitter to malfunction.

## DISPOSING OF USED BATTERIES

The batteries may contain hazardous substances that could endanger the environment and human health.

Used batteries must not be processed with municipal waste. Instead they should be brought to the appropriate collection point for recycling.

By correctly disposing of used batteries, you prevent potential negative consequences for the environment and human health. Recycling used materials also preserves our natural resources.

For more information about collecting and recycling used batteries, please contact your local municipality, your waste disposal service or the store where you purchased this product.



# ⚠️ WARNING

- **INGESTION HAZARD:** This product contains a button cell or coin battery.
- **DEATH** or serious injury can occur if ingested.
- A swallowed button cell or coin battery can cause **Internal Chemical Burns** in as little as 2 hours.
- **KEEP** new and used batteries **OUT OF REACH OF CHILDREN**
- **Seek immediate medical attention** if a battery is suspected to be swallowed or inserted inside any part of the body.



Remove and immediately recycle or dispose of used batteries according to local regulations and keep away from children. Do NOT dispose of batteries in household trash or incinerate.

Even used batteries may cause severe injury or death.

Call a local poison control center for treatment information.

Compatible battery type is CR2032, 3 V

Ensure the batteries are installed correctly with regard to polarity (+ and -).

Do not mix old and new batteries, different brands or types of batteries, such as alkaline, carbon-zinc, or rechargeable batteries

Non-rechargeable batteries are not to be recharged. Exhausted batteries are to be removed from the product.

Do not force discharge, recharge, disassemble, heat above (manufacturer's specified temperature rating) or incinerate. Doing so may result in injury due to venting, leakage or explosion resulting in chemical burns.

Remove and immediately recycle or dispose of batteries from equipment not used for an extended period of time according to local regulations.

Always completely secure the battery compartment. If the battery compartment does not close securely, stop using the product, remove the batteries, and keep them away from children.

 **WARNING INGESTION HAZARD:** This product contains a button cell or coin battery.

# ⚠️ ADVERTENCIA

- **PELIGRO DE INGESTIÓN:** Este producto contiene una batería (pila) en forma de botón o moneda
- Si se ingiere, puede causar la **MUERTE** o lesiones graves
- La ingestión de la batería en forma de botón o moneda puede causar **Quemaduras Químicas Internas** en tan solo 2 horas.
- **MANTENGA** las baterías nuevas y usadas **FUERA DEL ALCANCE DE LOS NIÑOS**
- **Busque atención médica inmediata** si se sospecha que una batería ha sido ingerida o introducida en cualquier parte del cuerpo.



Remueva las baterías (pilas) usadas y recíclelas o deséchelas inmediatamente de acuerdo con los reglamentos locales y manténgalas fuera del alcance de los niños. NO tire las baterías al recipiente de basura doméstica ni las incinere.

Incluso las baterías usadas pueden causar lesiones graves o la muerte.

Llame a un centro de toxicología local para obtener información sobre el tratamiento.

Tipo de batería compatible CR2032, 3 V

Asegúrese que las pilas estén bien colocadas respecto a la polaridad (+ y -).

No mezcle baterías viejas y nuevas, de diferentes marcas o tipos de baterías, tal como las baterías alcalinas, de carbono-zinc, o recargables

Las baterías no-recargables no se deben recargar. Las baterías gastadas se deben sacar del producto.

No fuerce la descarga, no recargue, no desensamble, no caliente por encima de la capacidad de temperatura especificada por el fabricante ni incinere. Hacerlo puede causar lesiones debido al desfogue, fuga o explosión que podrían causar quemaduras químicas.

Remueva y recicle o deseche inmediatamente las baterías de equipos que no se hayan utilizado durante un período prolongado de tiempo, de acuerdo con los reglamentos locales.

Siempre cierre por completo el compartimiento de las baterías. Si el compartimiento de las baterías no está bien cerrado, deje de usar el producto, extraiga las baterías y manténgalas fuera del alcance de los niños.

 **ADVERTENCIA PELIGRO DE INGESTIÓN:** Este producto contiene una batería (pila) en forma de botón o moneda.

# **AVERTISSEMENT**

- **RISQUE D'INGESTION** : Ce produit contient une pile bouton ou de type 'pièce de monnaie'.
- **La MORT** ou des blessures graves peuvent survenir en cas d'ingestion.
- Une pile bouton ou de type 'pièce de monnaie' avalée peut provoquer des **brûlures chimiques internes** en seulement deux heures.
- **GARDER** les piles neuves et usagées **HORS DE PORTÉE DES ENFANTS**
- **Consultez immédiatement un médecin** si vous soupçonnez qu'une pile a été avalée ou insérée dans une partie du corps.



Retirez les piles usagées et recyclez-les ou mettez-les au rebut immédiatement, conformément aux réglementations locales. Gardez-les hors de portée des enfants. Ne PAS jeter les piles dans les ordures ménagères ni les incinérer.

Des piles même usagées peuvent provoquer des blessures graves, voire la mort.

Appelez un centre antipoison local pour obtenir des informations sur le traitement à suivre.

Type de batterie compatible CR2032, 3 V

Correctement en respectant la polarité (+ et -).


Ne pas mélanger des piles usagées et des piles neuves, ni des marques ou types de piles différents, comme des piles alcalines, des piles carbone-zinc ou des piles rechargeables.

Les piles non rechargeables ne doivent pas être rechargées. Les piles épuisées doivent être retirées de l'appareil.

Ne pas décharger de force, recharger, démonter, chauffer au-delà de la température spécifiée par le fabricant, ni incinérer. Cela pourrait entraîner des blessures dues à l'événement, à une fuite ou une explosion, entraînant des brûlures chimiques.

Retirez et recyclez ou éliminez immédiatement les piles des équipements non utilisés pendant une période prolongée, conformément aux réglementations locales.

Sécurisez toujours complètement le compartiment des piles. Si le compartiment des piles ne se ferme pas correctement, cessez toute utilisation du produit, retirez les piles et gardez-les hors de portée des enfants.

 **AVERTISSEMENT RISQUE D'INGESTION** : Ce produit contient une pile bouton ou de type 'pièce de monnaie'.

# WARRANTY CARD

## Your warranty includes

- **30 Days Money Back Guaranty**

Within the first 30 days of your purchase, you are allowed to return your product for a full refund.

- **30 Days to 3 Months(6 Months)**

We will replace the defective unit due to manufacturer fault with a new one. (You will receive extra 3 Months warranty if you register on our website.)

- **3 Months to 24 Months**

Within 24 Months, we will provide timely and effective online after-sales service after your purchase.

## How to return your Products

- We will issue you RMA # and return address for your return.
- Please fill out RMA info, tear off this page and leave it inside your return package.
- We will issue replace / return after receiving your return.

## Return product details

To get your returns processed as quickly as possible, please fill this form and include it in your return package.

Purchase Name	
Order Number	
Date of Purchase	
Your Email Address	
Where did you buy it	

\* If your product is purchased for your return within 30 days of purchase.