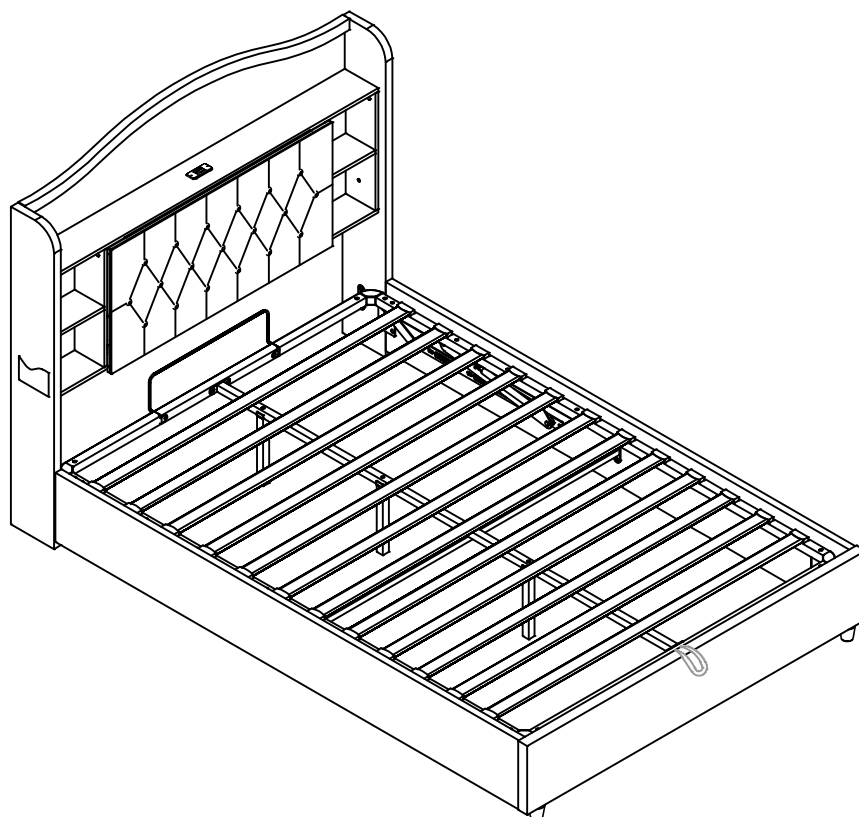


Montageanleitung | Instructions de montage Assembly Instructions | Instrucciones de montaje

N652P351062/N652P351063



CE



UK
CA

GB This set comes in 2 boxes. If you do not receive a full set of 2 boxes, please contact our customer service.

DE Dieses Set wird in 2 Schachteln geliefert. Wenn Sie nicht ein komplettes Set von 2 Boxen erhalten, kontaktieren Sie bitte unseren Kundenservice.

FR Ce set est livré en 2 boîtes. Si vous ne recevez pas un jeu complet de 2 boîtes, veuillez contacter notre service clientèle.

English

IMPORTANT FOR GAS LIFT BEDS&MAINTAINANCE

- Please place the mattress on top of the bed frame.
- Please do not pull on the strap handles.
- Please press heavily to release the compressed gas.
- Periodically check all screw & fixings to ensure they are secure.
- When moving your product, carefully lift into place.
- Wipe clean with a slightly damp cloth- please do not use abrasive chemicals or bleach.
- Do NOT allow children to operate the lift mechanism.
- Do NOT allow children near the lift base when operating the mechanism.
- Do NOT stand inside the bed or the internal storage base.
- Do NOT overload the internal storage base.
- DO NOT jump on the product or any of its parts.

Deutsch

WICHTIG FÜR GASLIFT-BETTEN&WARTUNG

- Bitte legen Sie die Matratze oben auf den Bettrahmen.
- Bitte ziehen Sie nicht an den Gurtgriffen.
- Bitte drücken Sie kräftig, um das komprimierte Gas freizusetzen.
- Überprüfen Sie regelmäßig alle Schrauben und Befestigungen, um sicherzustellen, dass sie sicher sind.
- Wenn Sie Ihr Produkt bewegen, heben Sie es vorsichtig an seinen Platz.
- Mit einem leicht feuchten Tuch abwischen - bitte keine scheuernden Chemikalien oder Bleichmittel verwenden.
- Erlauben Sie Kindern NICHT, den Hebemechanismus zu bedienen.
- Lassen Sie Kinder NICHT in die Nähe des Liftsockels, wenn Sie den Mechanismus bedienen.
- Stellen Sie sich NICHT in das Bett oder in die Innenablage.
- Überlasten Sie den internen Liftsockel NICHT.
- Springen Sie NICHT auf das Produkt oder eines seiner Teile.

Français

IMPORTANT POUR LES LITS À RELEVAGE DE GAZ&MAINTENANCE

- Veuillez placer le matelas sur le dessus du cadre de lit.
- Ne tirez pas sur les poignées de la sangle.
- Appuyez fortement pour libérer le gaz comprimé.
- Vérifiez régulièrement que toutes les vis et fixations sont bien en place.
- Lorsque vous déplacez votre produit, soulevez-le avec précaution pour le mettre en place.
- Nettoyez avec un chiffon légèrement humide - n'utilisez pas de produits chimiques abrasifs ou d'eau de Javel.
- Ne laissez pas les enfants utiliser le mécanisme de levage.
- Ne laissez pas les enfants s'approcher de la base de levage lorsqu'ils actionnent le mécanisme.
- Ne vous tenez PAS à l'intérieur du lit ou de la base de stockage interne.
- Ne surchargez pas la base de stockage interne.
- Ne pas sauter sur le produit ou l'une de ses parties.

Italiano

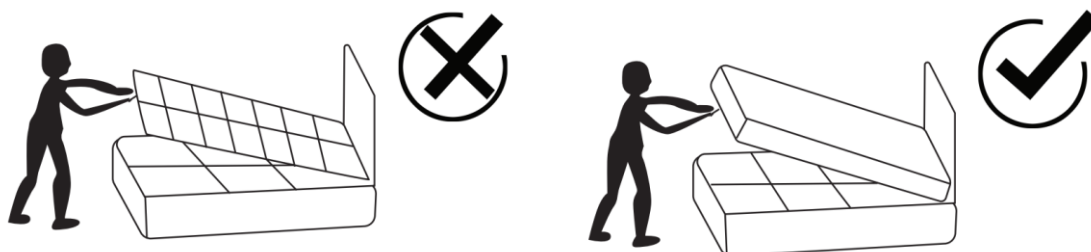
IMPORTANTE PER I LETTI CON SOLLEVAMENTO A GAS E LA MANUTENZIONE

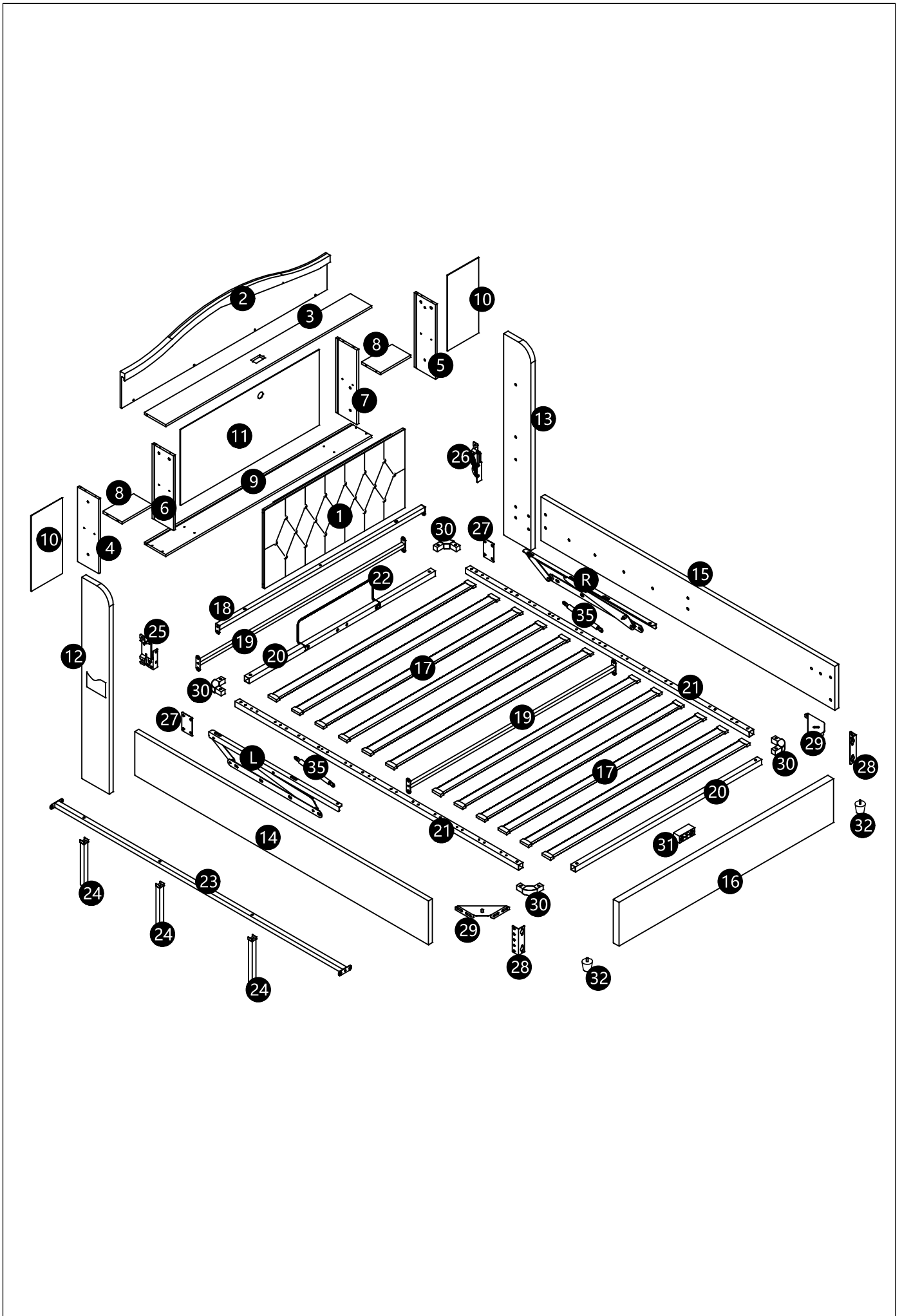
- Posizionare il materasso sopra la struttura del letto.
- Non tirare le maniglie della cinghia.
- Premere con forza per rilasciare il gas compresso.
- Controllare periodicamente tutte le viti e i fissaggi per assicurarsi che siano saldi.
- Quando si sposta il prodotto, sollevarlo con cautela.
- Pulire con un panno leggermente umido, senza usare prodotti chimici abrasivi o candeggina.
- NON permettere ai bambini di azionare il meccanismo di sollevamento.
- NON permettere ai bambini di avvicinarsi alla base di sollevamento quando si aziona il meccanismo.
- NON sostare all'interno del letto o della base di contenimento interna.
- NON sovraccaricare la base di contenimento interna.
- NON saltare sul prodotto o sulle sue parti.

Español

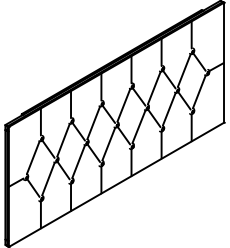


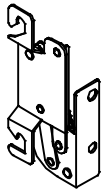


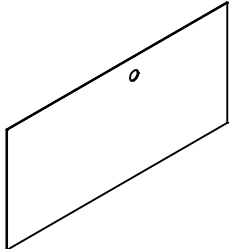
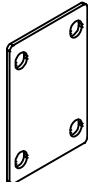

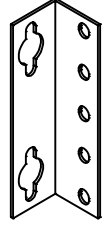

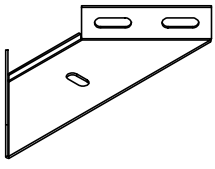
IMPORTANTE PARA LAS CAMAS ELEVADORAS DE GAS&MANTENIMIENTO

- Coloque el colchón sobre el somier.
- No tire de las asas de la correa.
- Presione con fuerza para liberar el gas comprimido.
- Compruebe periódicamente que todos los tornillos y fijaciones estén bien sujetos.
- Al mover el producto, levántelo con cuidado para colocarlo en su sitio.
- Limpie con un paño ligeramente humedecido; no utilice productos químicos abrasivos ni lejía.
- NO permita que los niños accionen el mecanismo de elevación.
- NO permita que los niños se acerquen a la base elevadora cuando accionen el mecanismo.
- NO se ponga de pie dentro de la cama o de la base de almacenamiento interna.
- NO sobrecargue el somier.
- NO salte sobre el producto ni sobre ninguna de sus piezas.

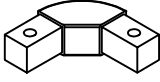

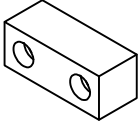
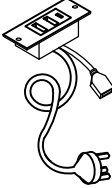
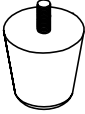
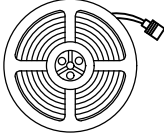
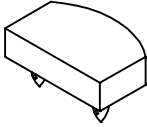
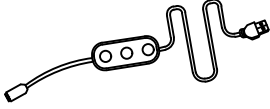
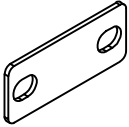

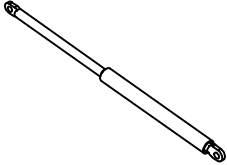
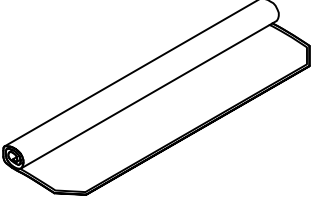




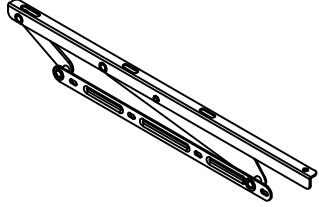
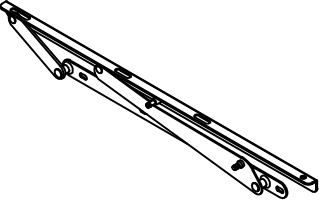
N652P351062

<p>1</p>		<p>X1</p>	<p>24</p>		<p>X3</p>
<p>2</p>		<p>X1</p>	<p>25</p>		<p>X1</p>
<p>10</p>		<p>X2</p>	<p>26</p>		<p>X1</p>
<p>11</p>		<p>X1</p>	<p>27</p>		<p>X2</p>
<p>12</p>		<p>X1</p>	<p>28</p>		<p>X2</p>
<p>13</p>		<p>X1</p>	<p>29</p>		<p>X2</p>

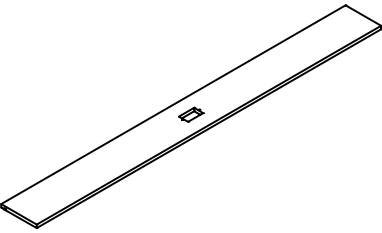
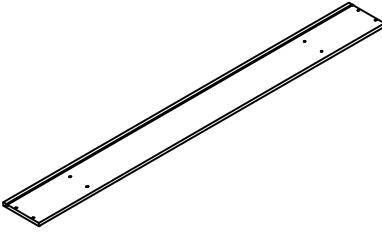
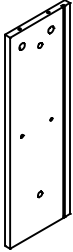
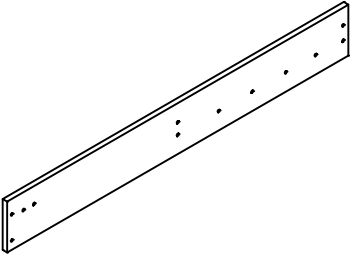
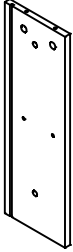
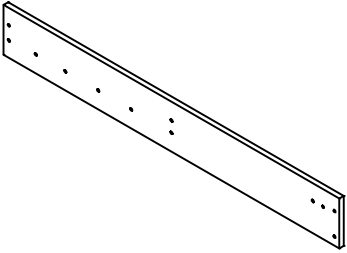
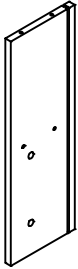
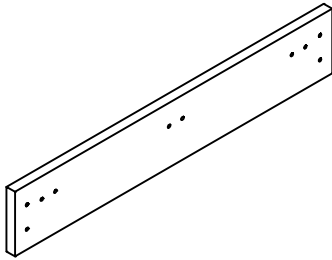
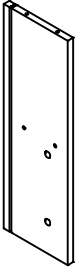
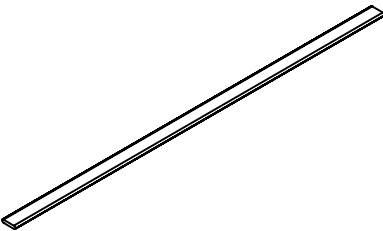
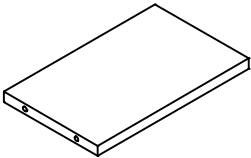
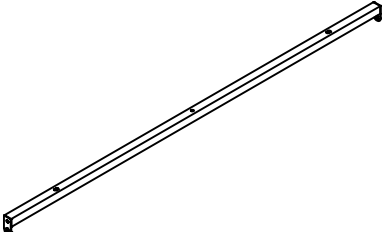
N652P351062

<p>30</p>		<p>X4</p>	<p>36</p>		<p>X1</p>
<p>31</p>		<p>X1</p>	<p>37</p>		<p>X1</p>
<p>32</p>		<p>X2</p>	<p>38</p>	 <p>Light strip</p>	<p>X1</p>
<p>33</p>		<p>X24</p>	<p>40</p>	 <p>Power cord</p>	<p>X1</p>
<p>34</p>		<p>X2</p>	<p>41</p>	 <p>Magic tape</p>	<p>X3</p>
<p>35</p>		<p>X2</p>	<p>42</p>		<p>X1</p>

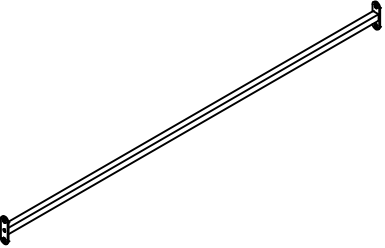
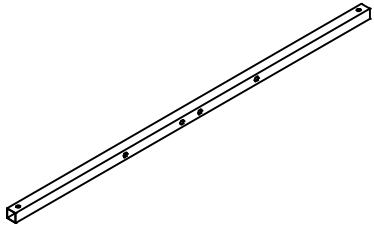
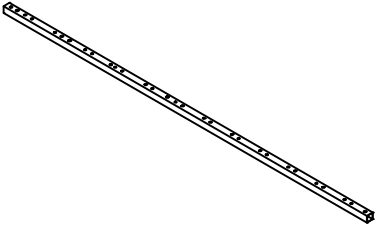
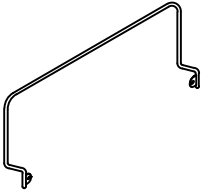
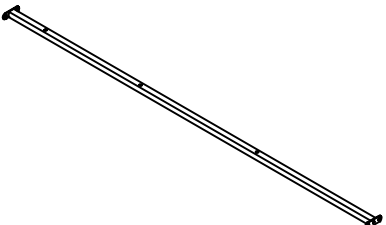
N652P351062

L		X1			
R		X1			

N652P351063

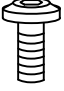
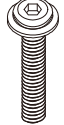

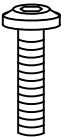
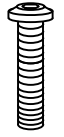
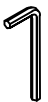






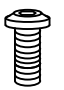
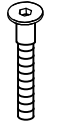
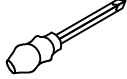
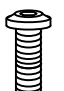


<p>3</p>		<p>X1</p>	<p>9</p>		<p>X1</p>
<p>4</p>		<p>X1</p>	<p>14</p>		<p>X1</p>
<p>5</p>		<p>X1</p>	<p>15</p>		<p>X1</p>
<p>6</p>		<p>X1</p>	<p>16</p>		<p>X1</p>
<p>7</p>		<p>X1</p>	<p>17</p>		<p>X12</p>
<p>8</p>		<p>X2</p>	<p>18</p>		<p>X1</p>

N652P351063

19		X2			
20		X2			
21		X2			
22		X1			
23		X1			



Hardware List-Hardware-Liste-Liste du matériel

N652P351062

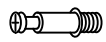
A	 M6*15	X4+1	G	 M8*35	X7+1	N	 X8+2
B	 M6*34	X3+1	H	 M8*45	X10+1	O	 M5 X1
C	 M8*10	X4+1	J	 M8 X12+1	X12+1	P	 M6 X1
D	 M8*12	X8+1	K	 M3*12 X2+1	X2+1	Q	 M8 X1
E	 M8*15	X4+1	L	 M5*35 X20+2	X20+2	R	 X1
F	 M8*20	X48+2	M	 X8+2	X8+2	S	 M8 X1

Hardware List-Hardware-Liste-Liste du matériel

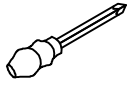
N652P351062

		X4+1						
	Silent sticker							

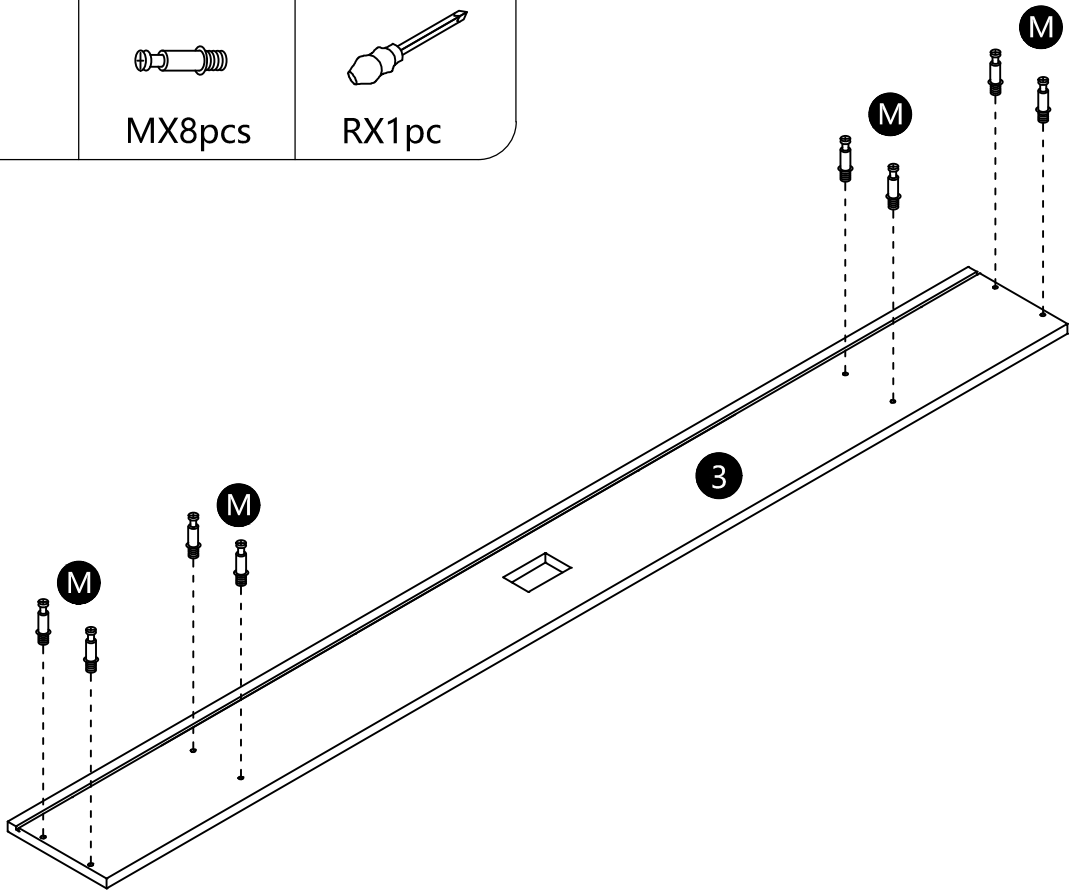
1



MX8pcs



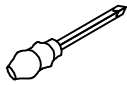
RX1pc



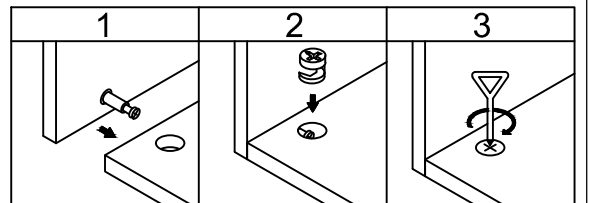
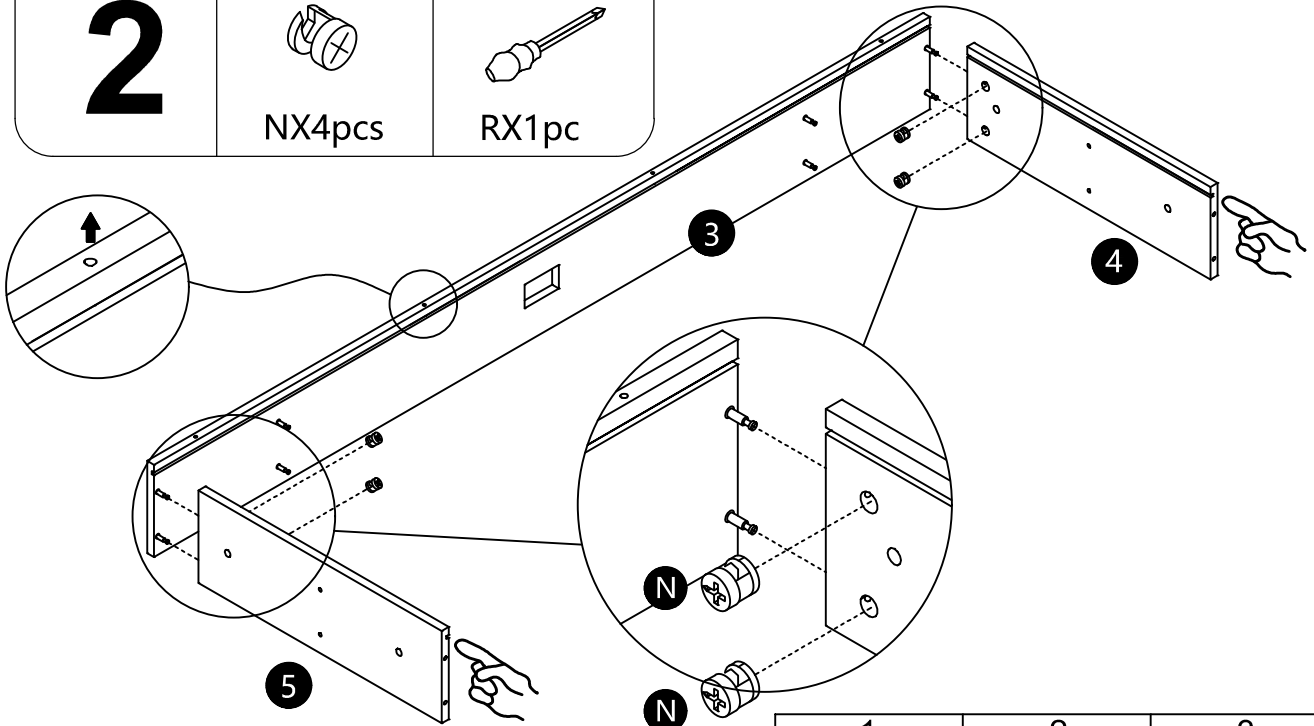
2



NX4pcs



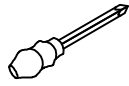
RX1pc



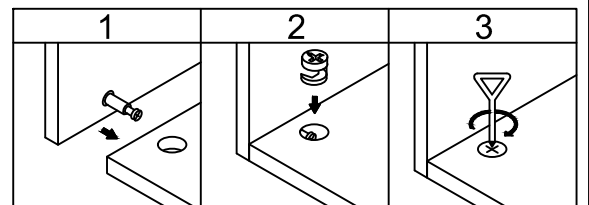
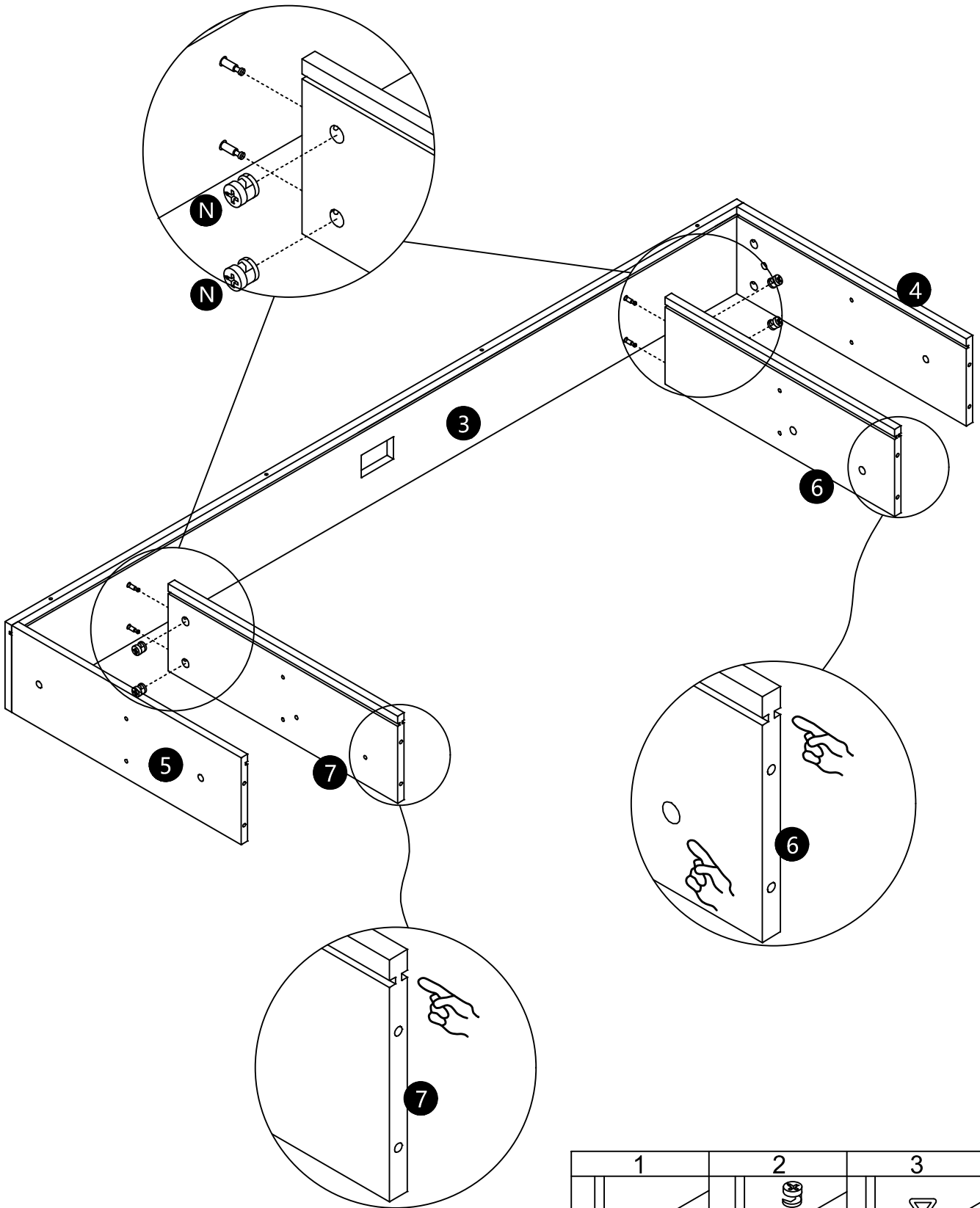
3



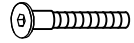
NX4pcs



RX1pc



4

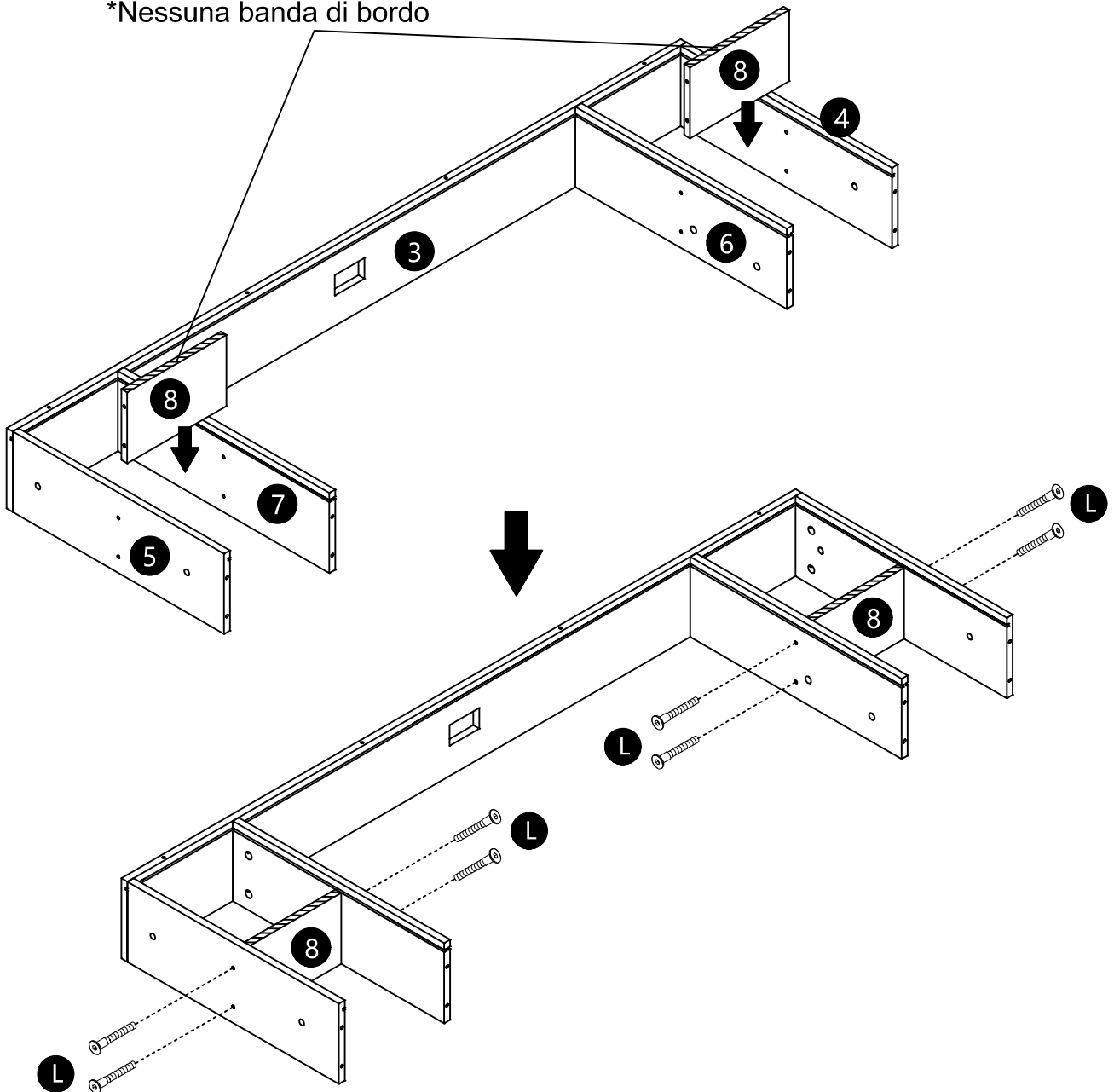


M5*35
LX8pcs

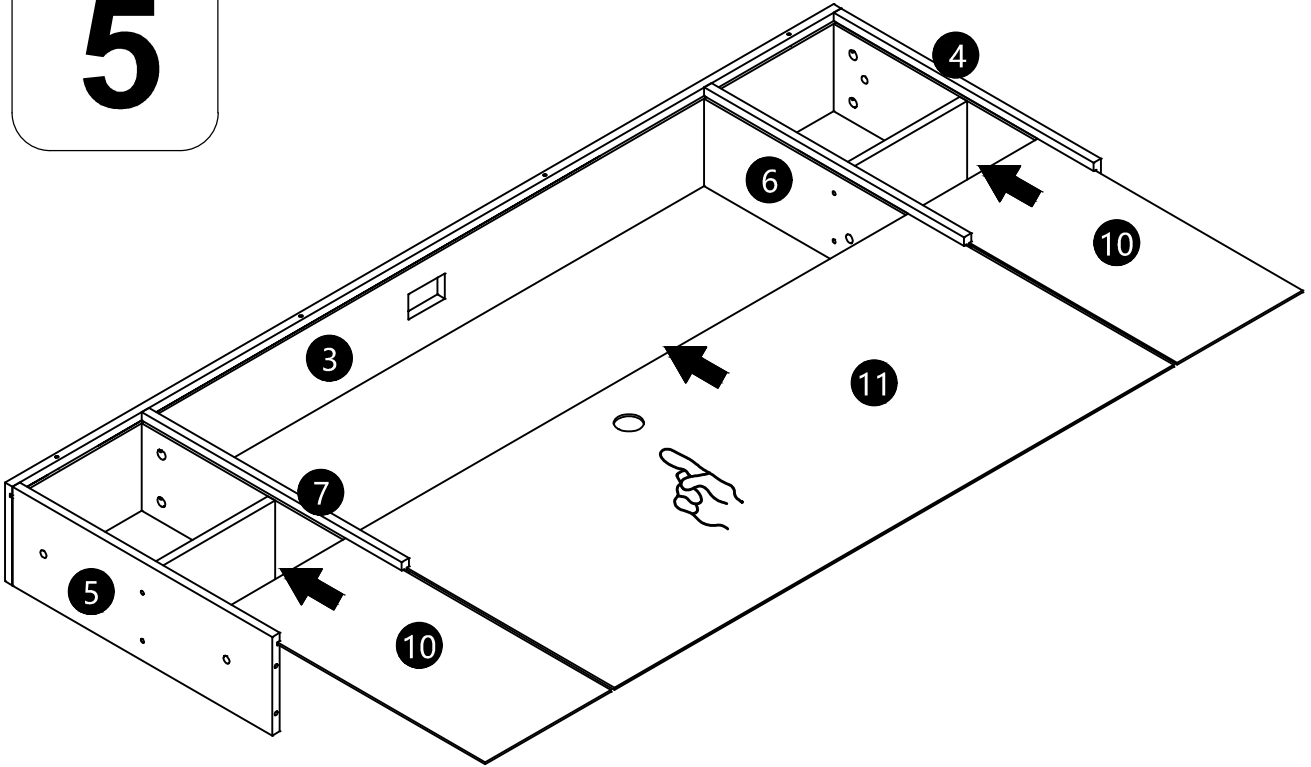


M5
OX1pc

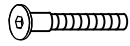
- *No edge banding
- *Kein Randbanding
- *Pas de bande de bord
- *Sin banda de borde
- *Nessuna banda di bordo



5



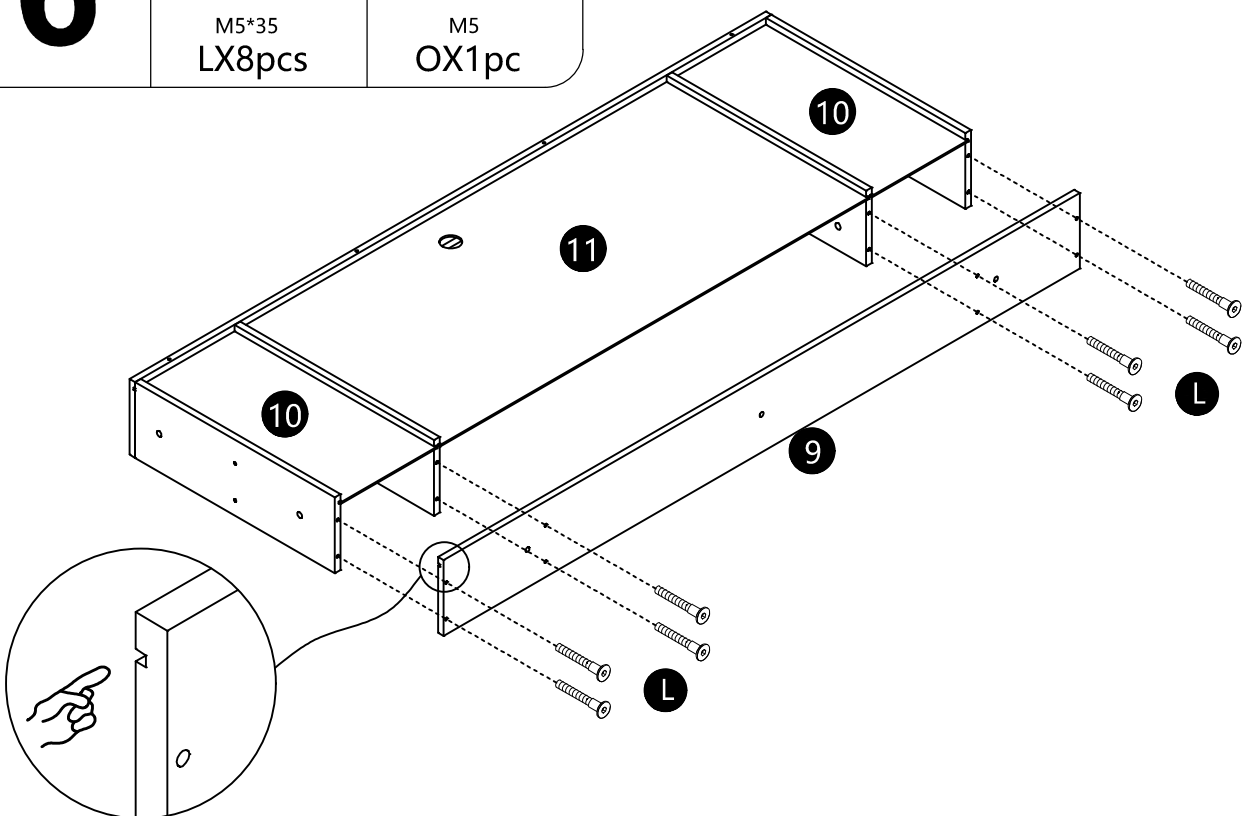
6



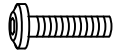
M5*35
LX8pcs



M5
OX1pc



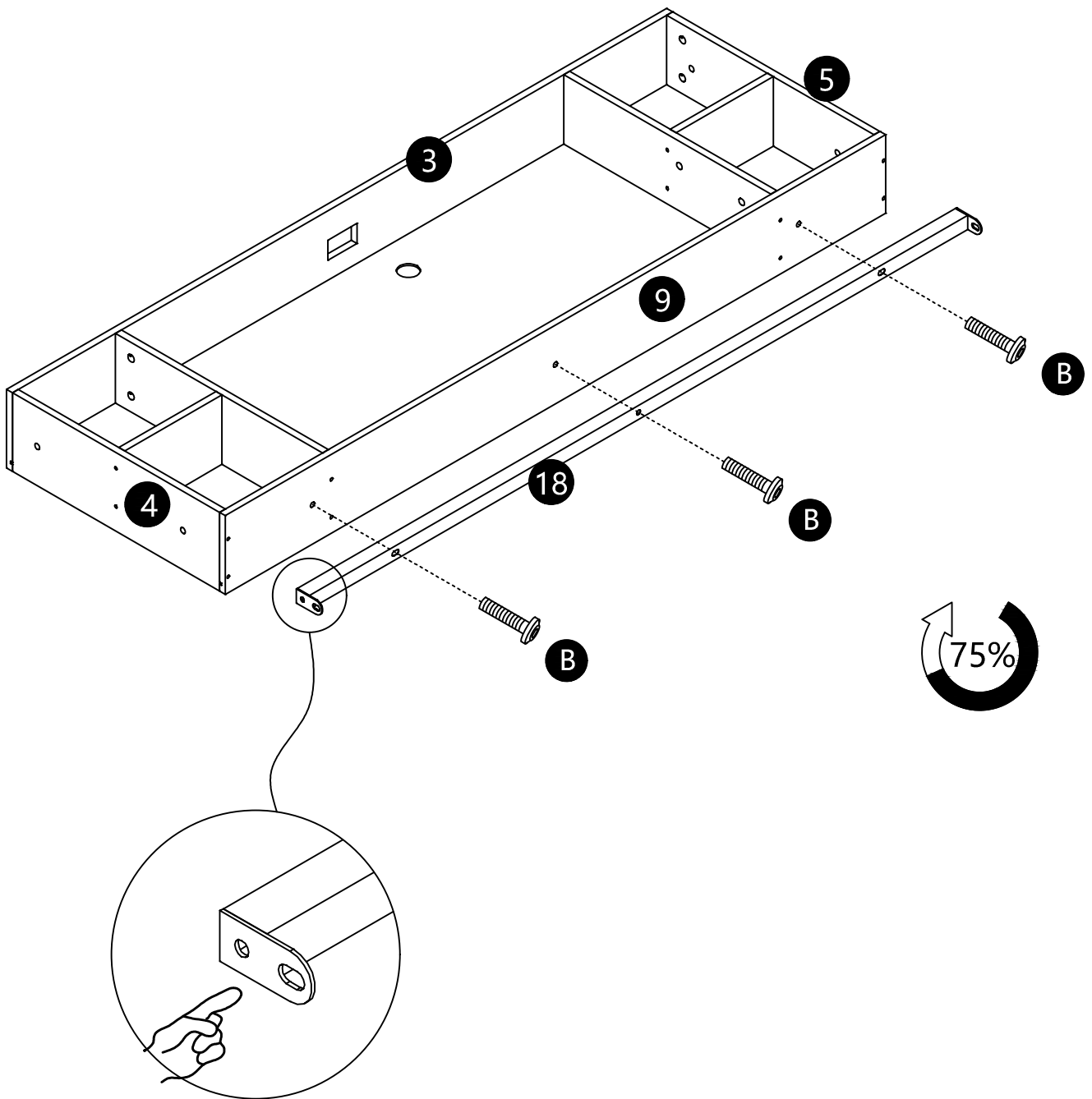
7



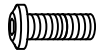
M6*34
BX3pcs



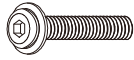
M6
PX1pc



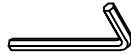
8



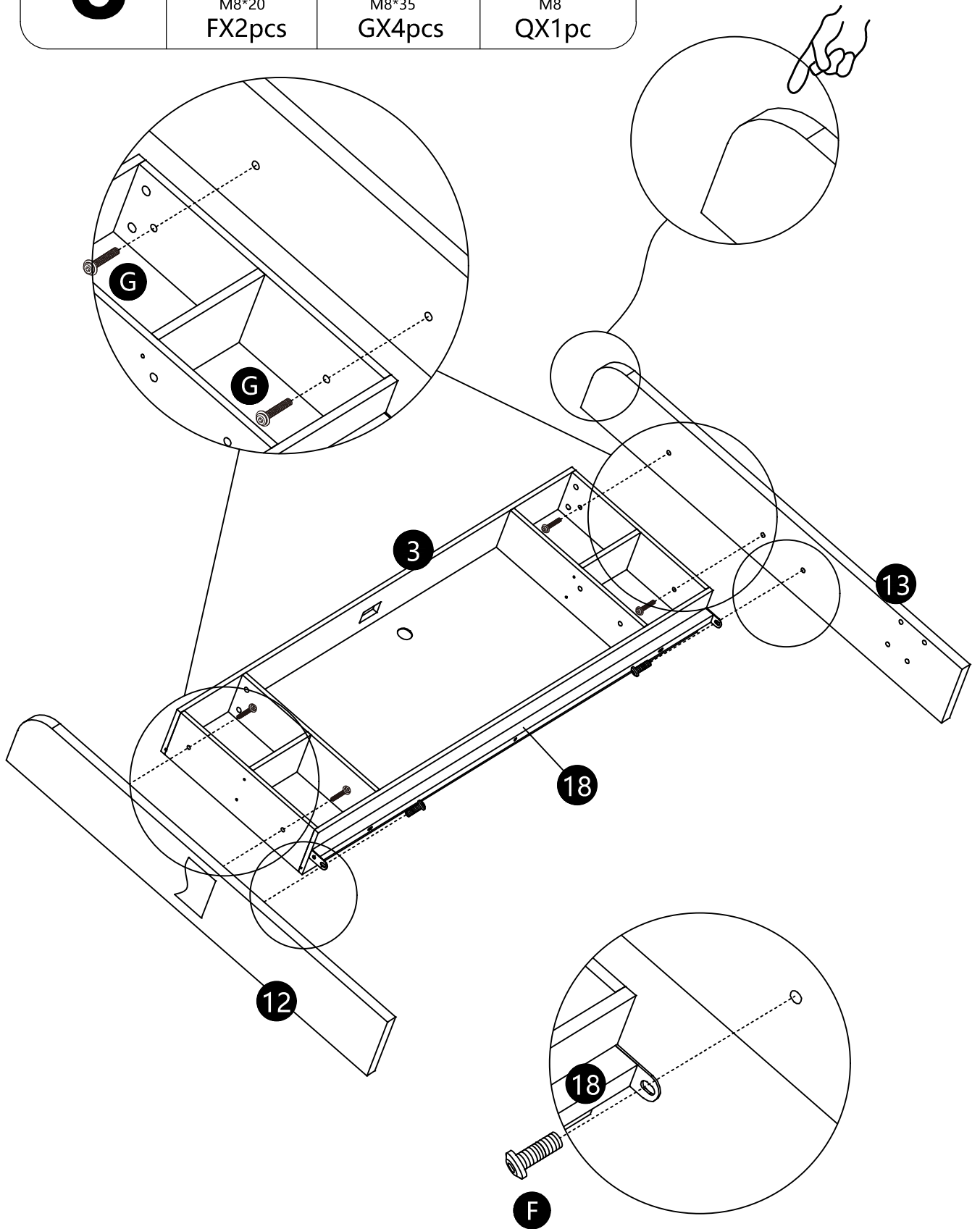
M8*20
FX2pcs



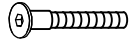
M8*35
GX4pcs



M8
QX1pc



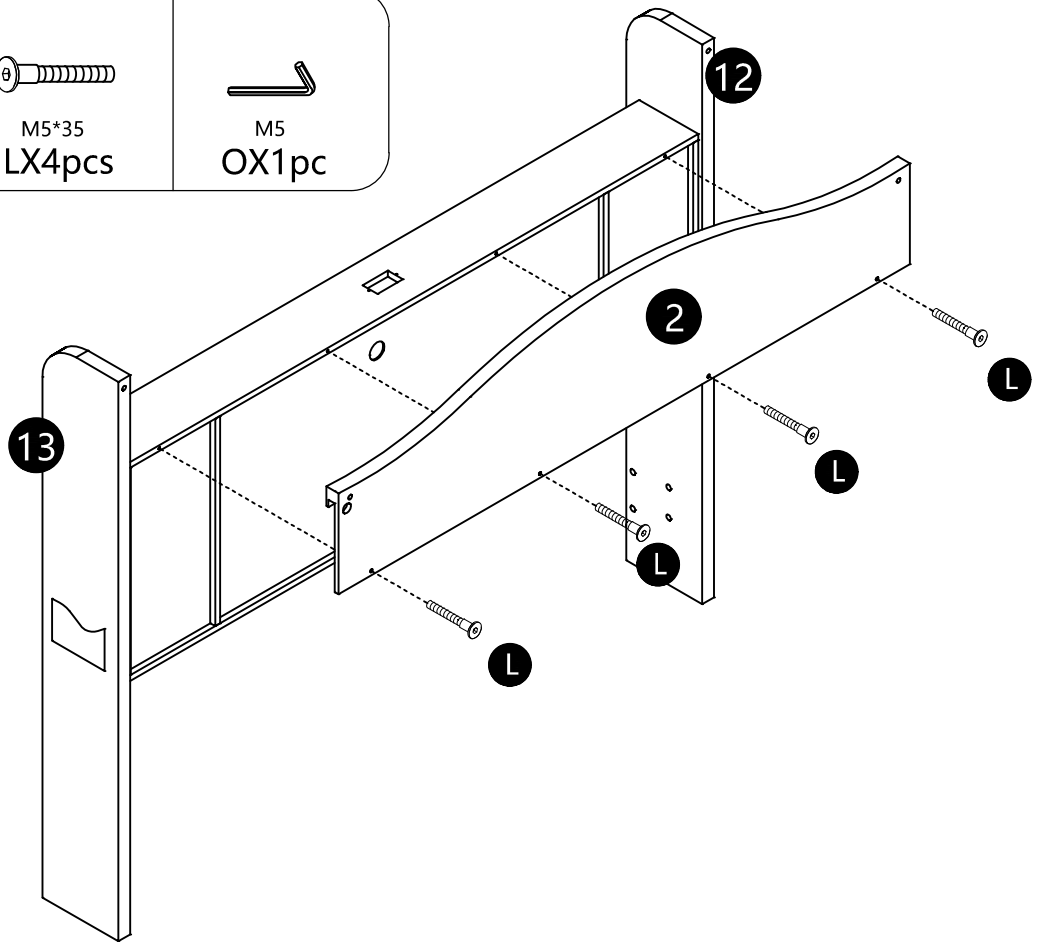
9



M5*35
LX4pcs



M5
OX1pc



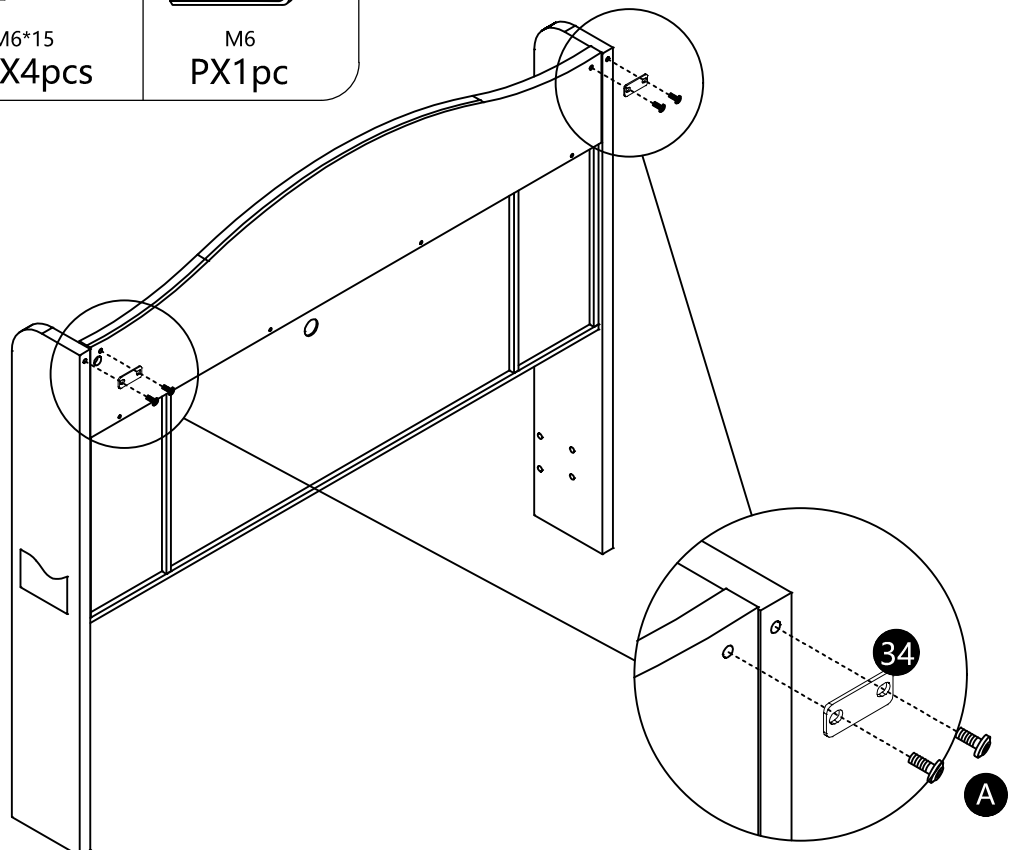
10



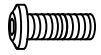
M6*15
AX4pcs



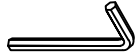
M6
PX1pc



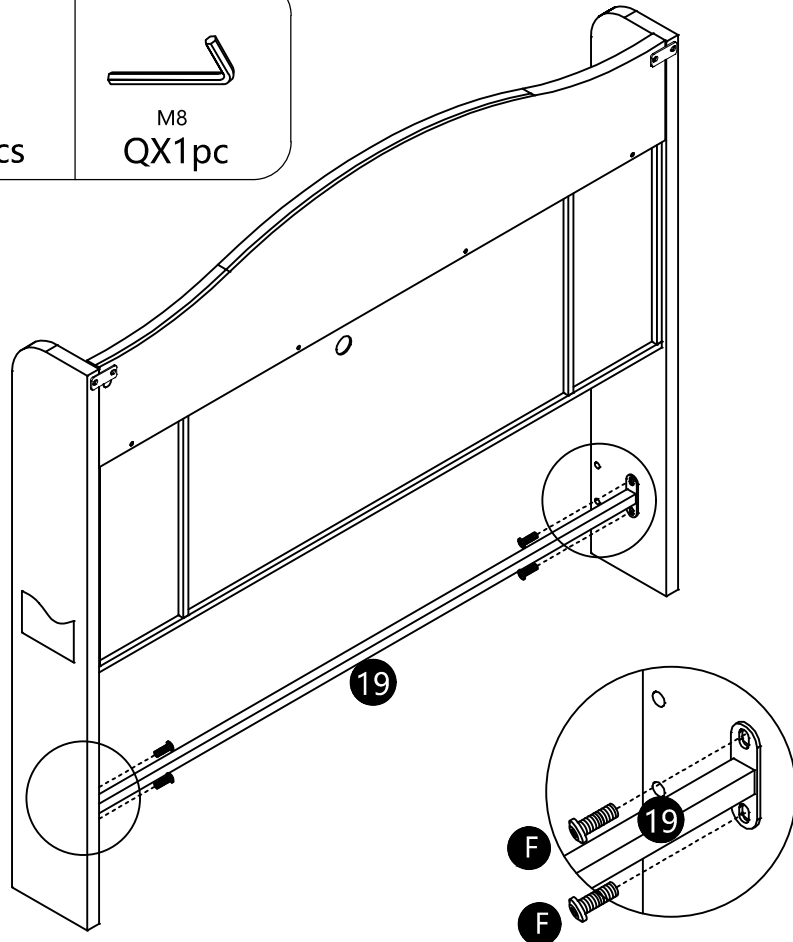
11



M8*20
FX4pcs



M8
QX1pc



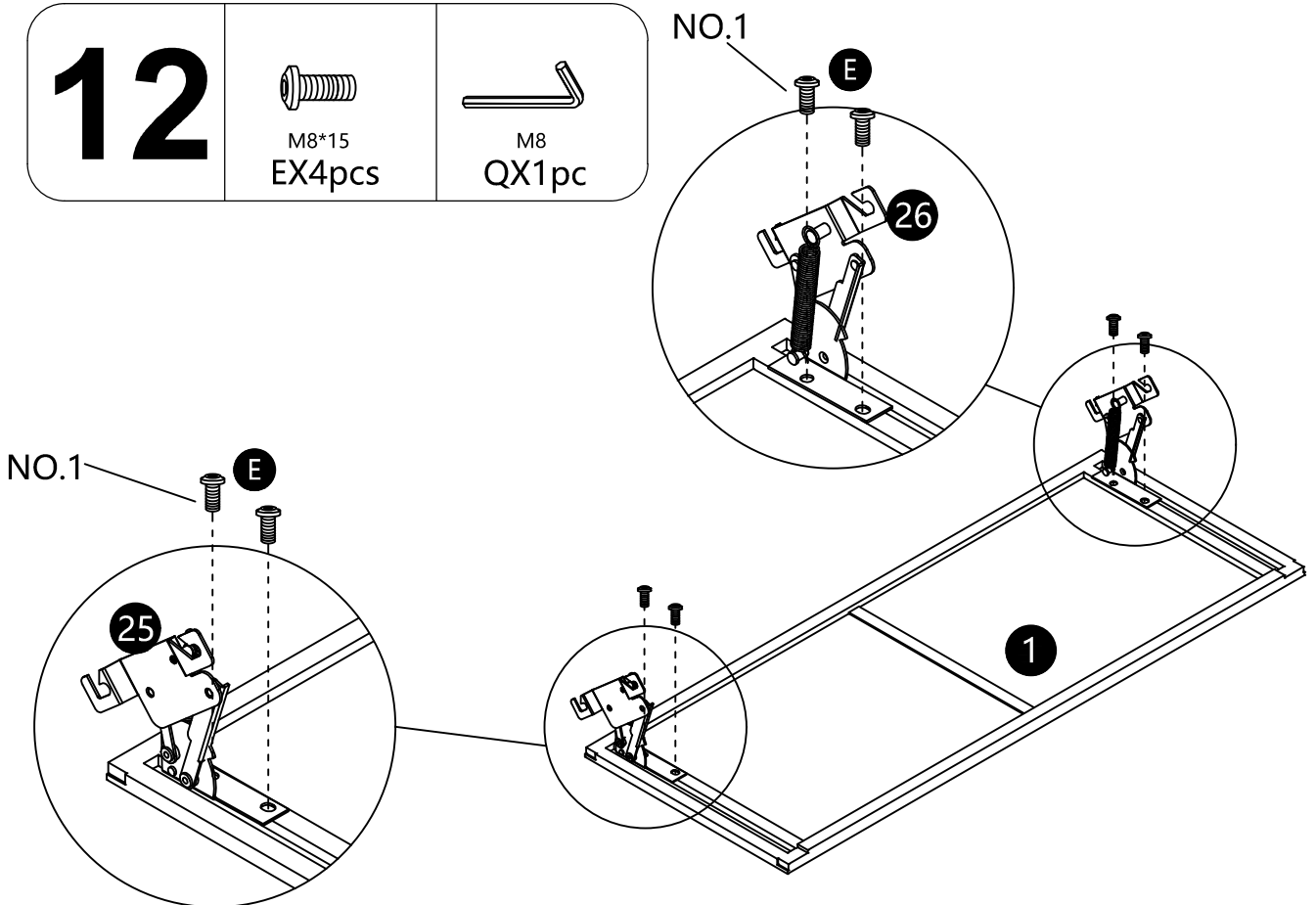
12



M8*15
EX4pcs



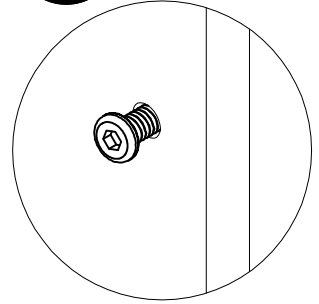
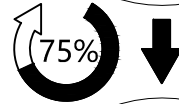
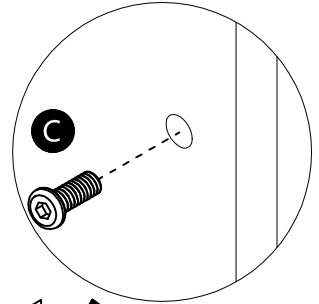
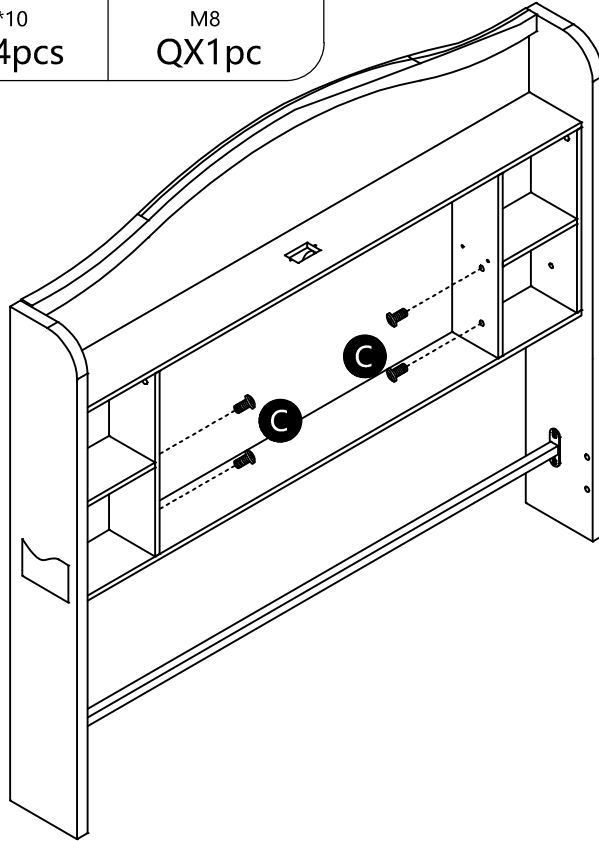
M8
QX1pc



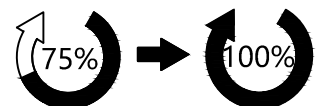
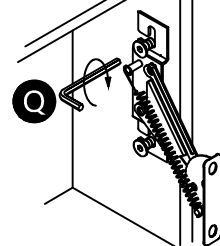
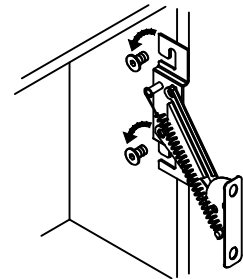
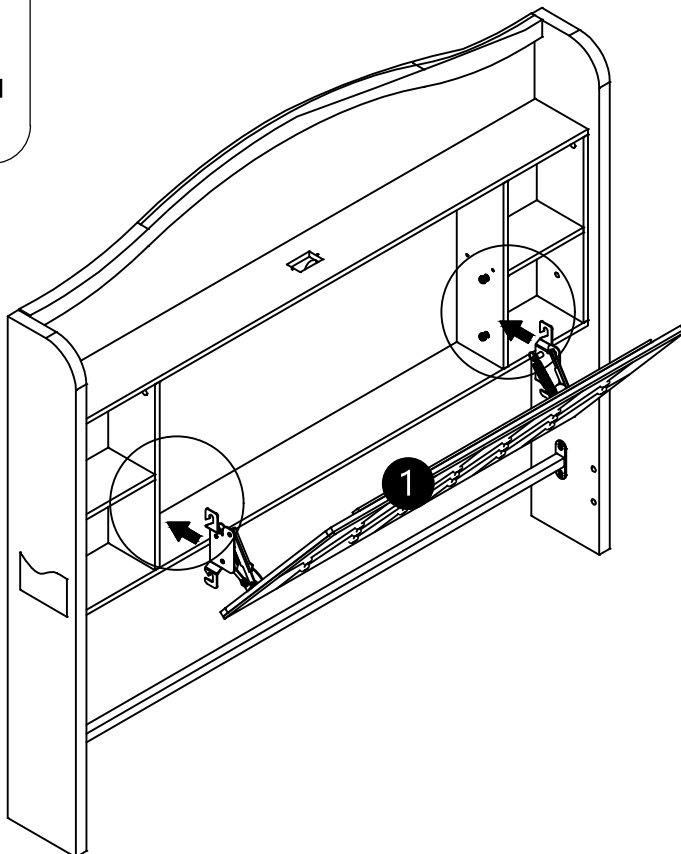
13

M8*10
CX4pcs

M8
QX1pc



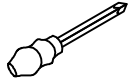
14



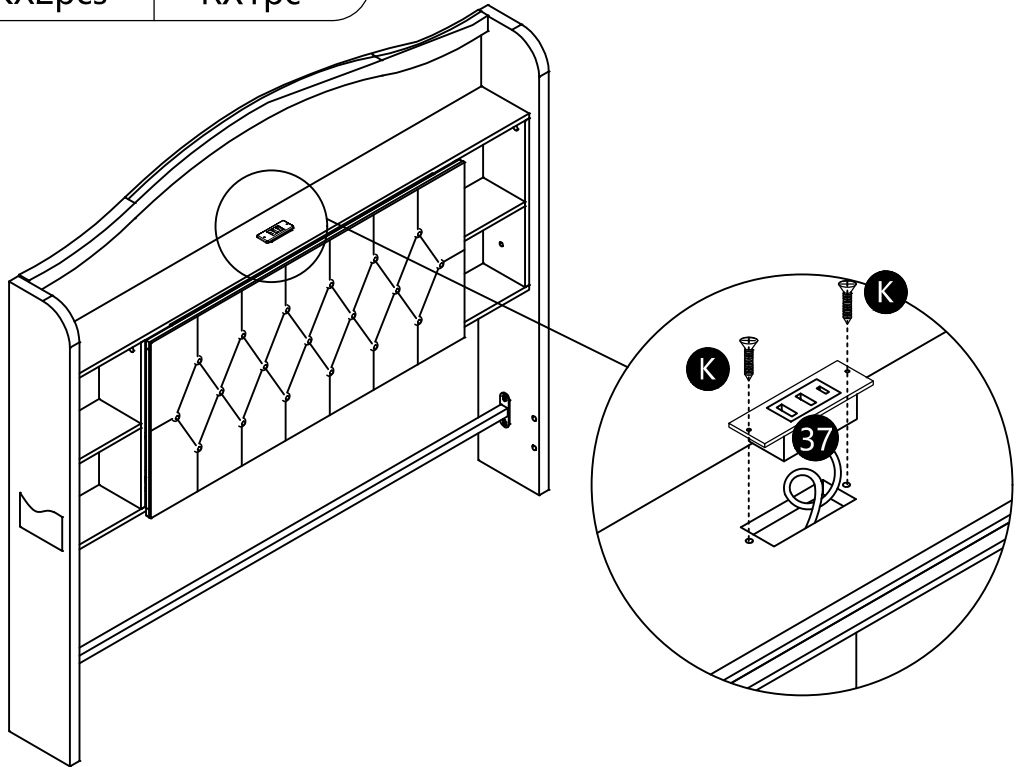
15



M3*12
KX2pcs



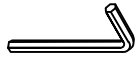
RX1pc



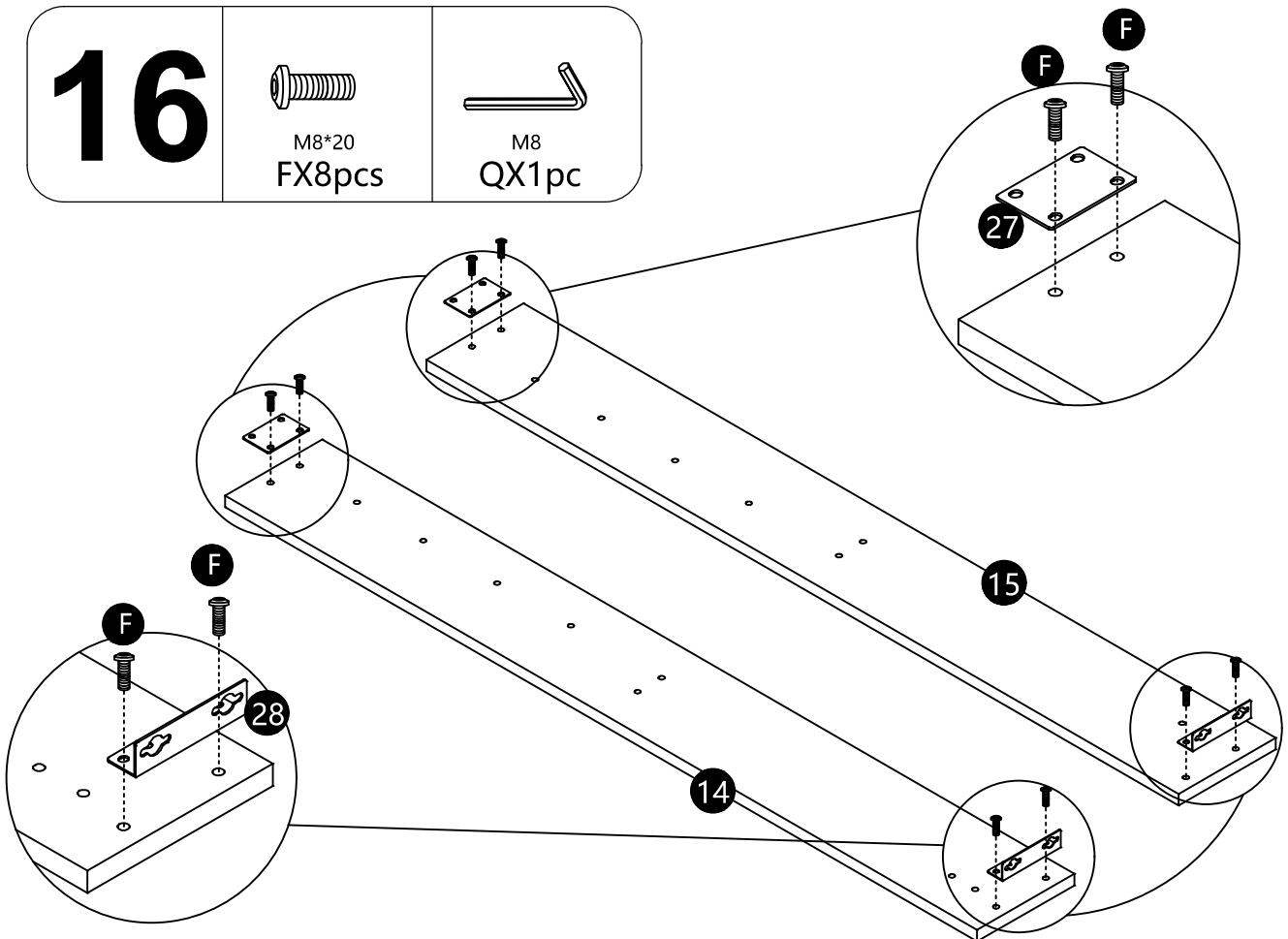
16



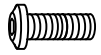
M8*20
FX8pcs



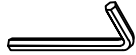
M8
QX1pc



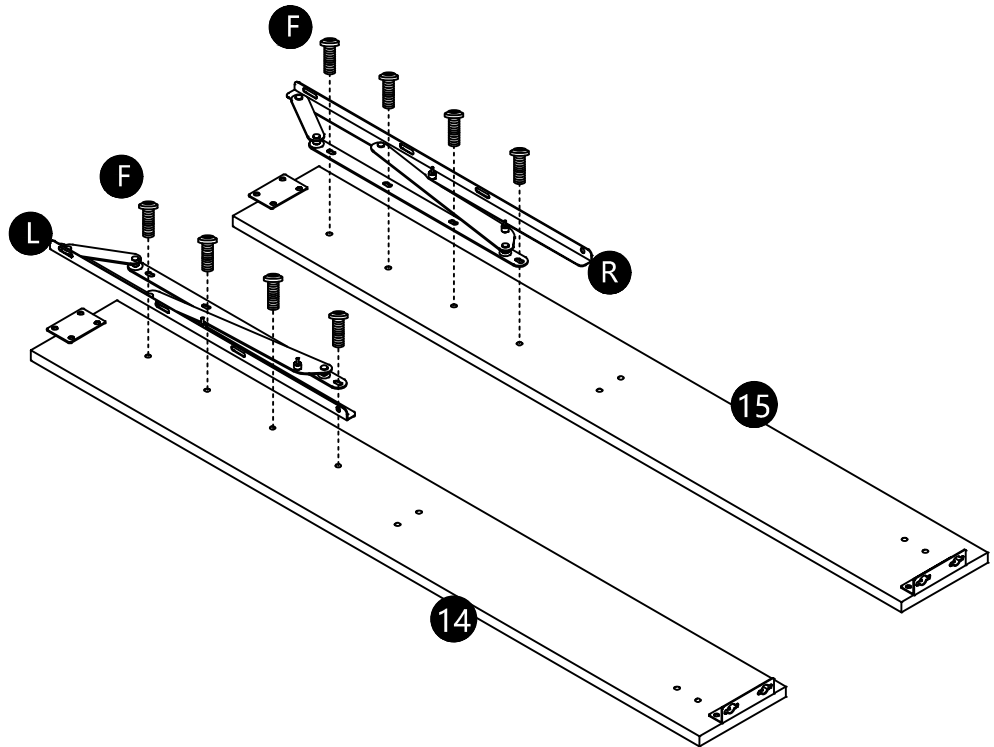
17



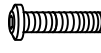
M8*20
FX8pcs



M8
QX1pc



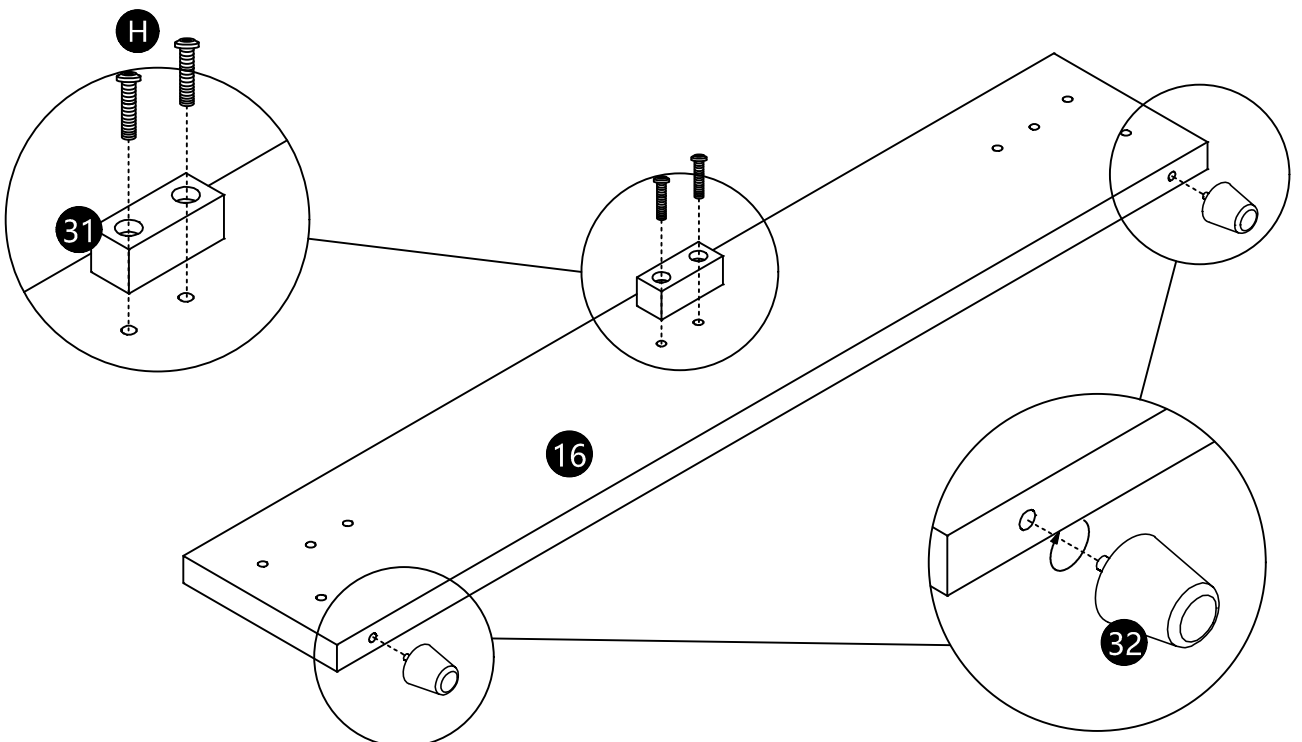
18



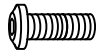
M8*45
HX2pcs



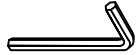
M8
QX1pc



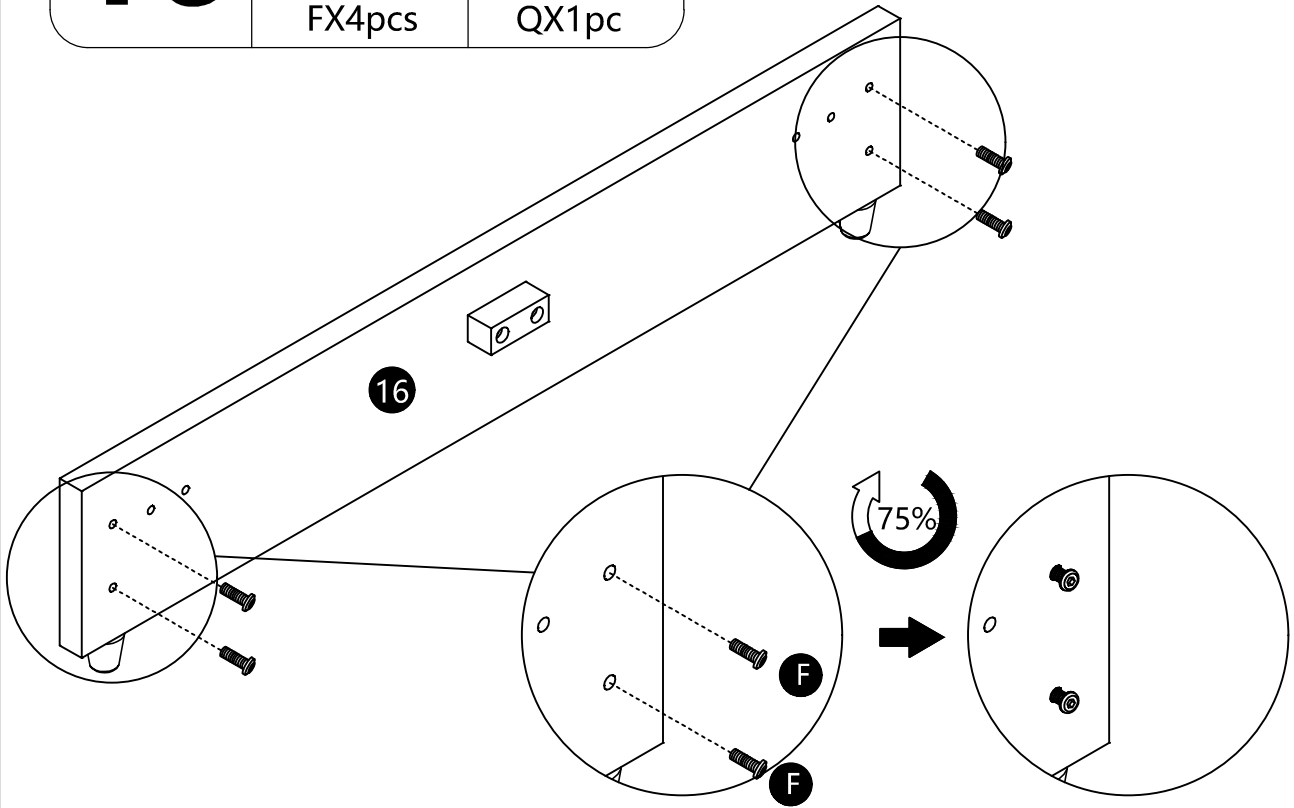
19



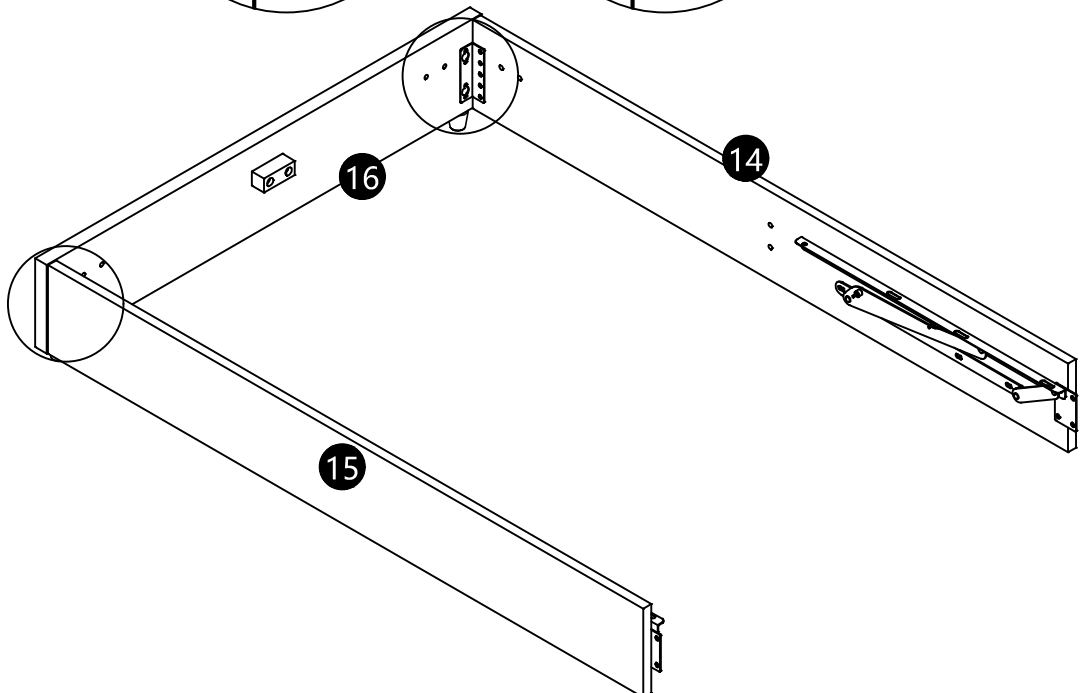
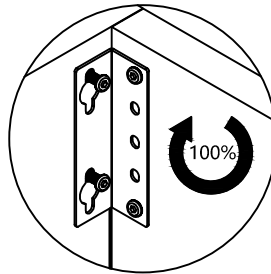
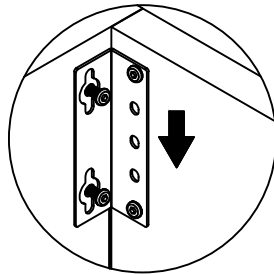
M8*20
FX4pcs



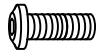
M8
QX1pc



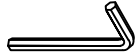
20



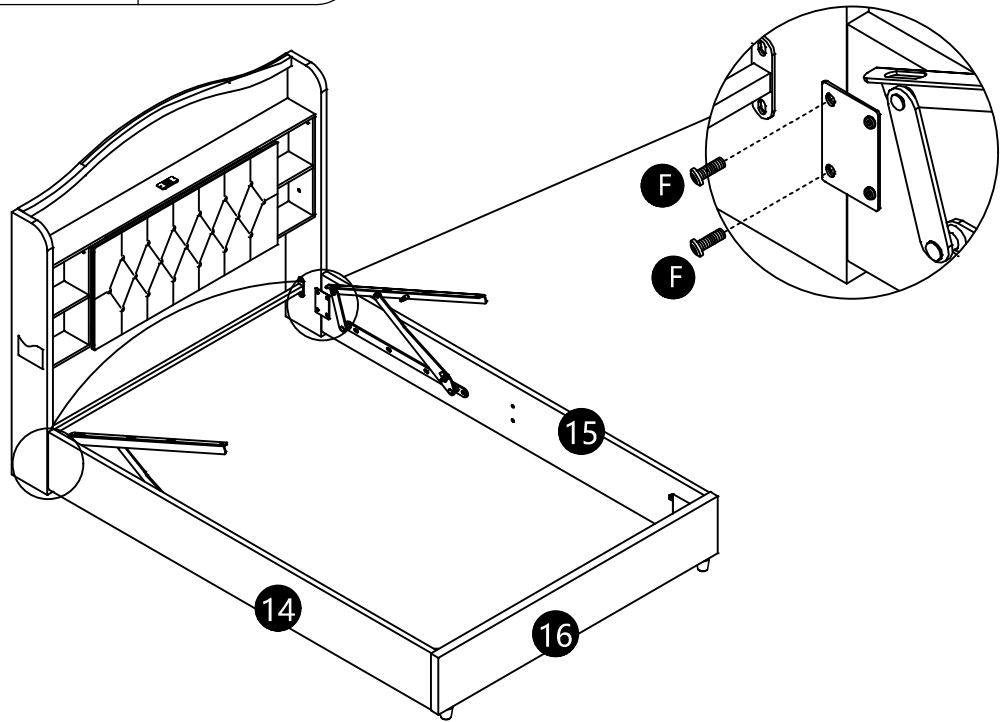
21



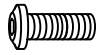
M8*20
FX4pcs



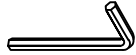
M8
QX1pc



22



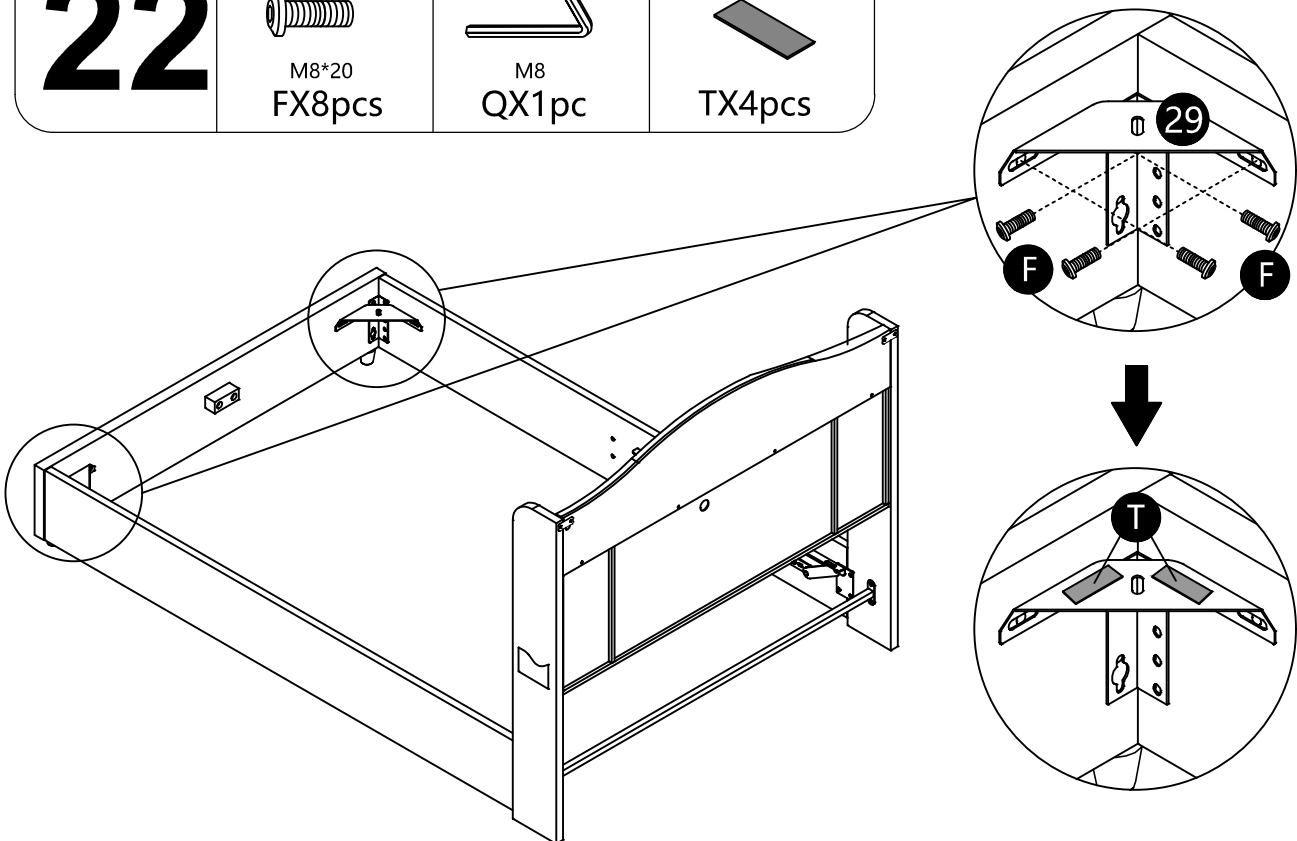
M8*20
FX8pcs



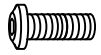
M8
QX1pc



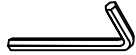
TX4pcs



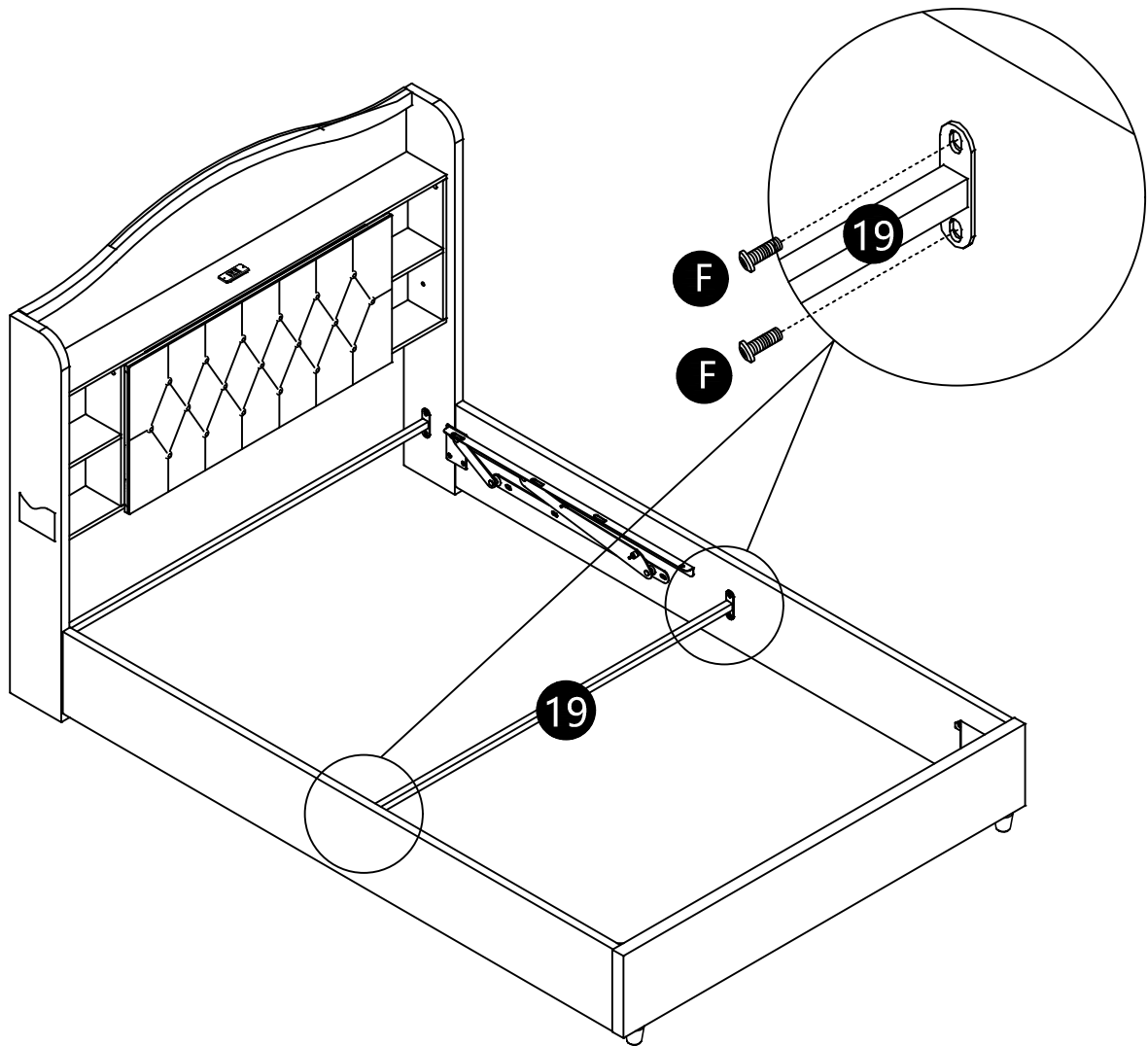
23



M8*20
FX4pcs



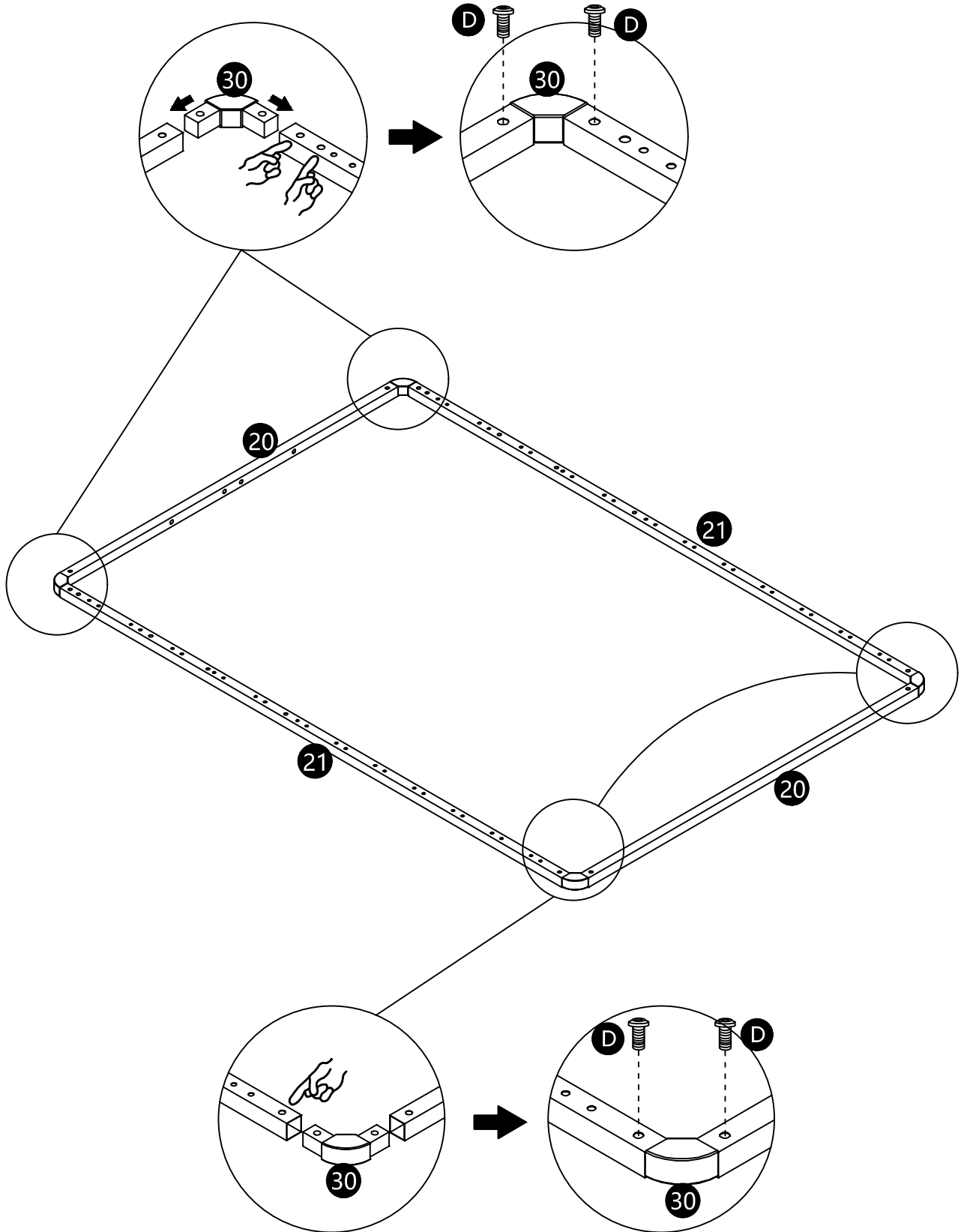
M8
QX1pc



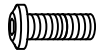
24

M8*12
DX8pcs

M8
QX1pc



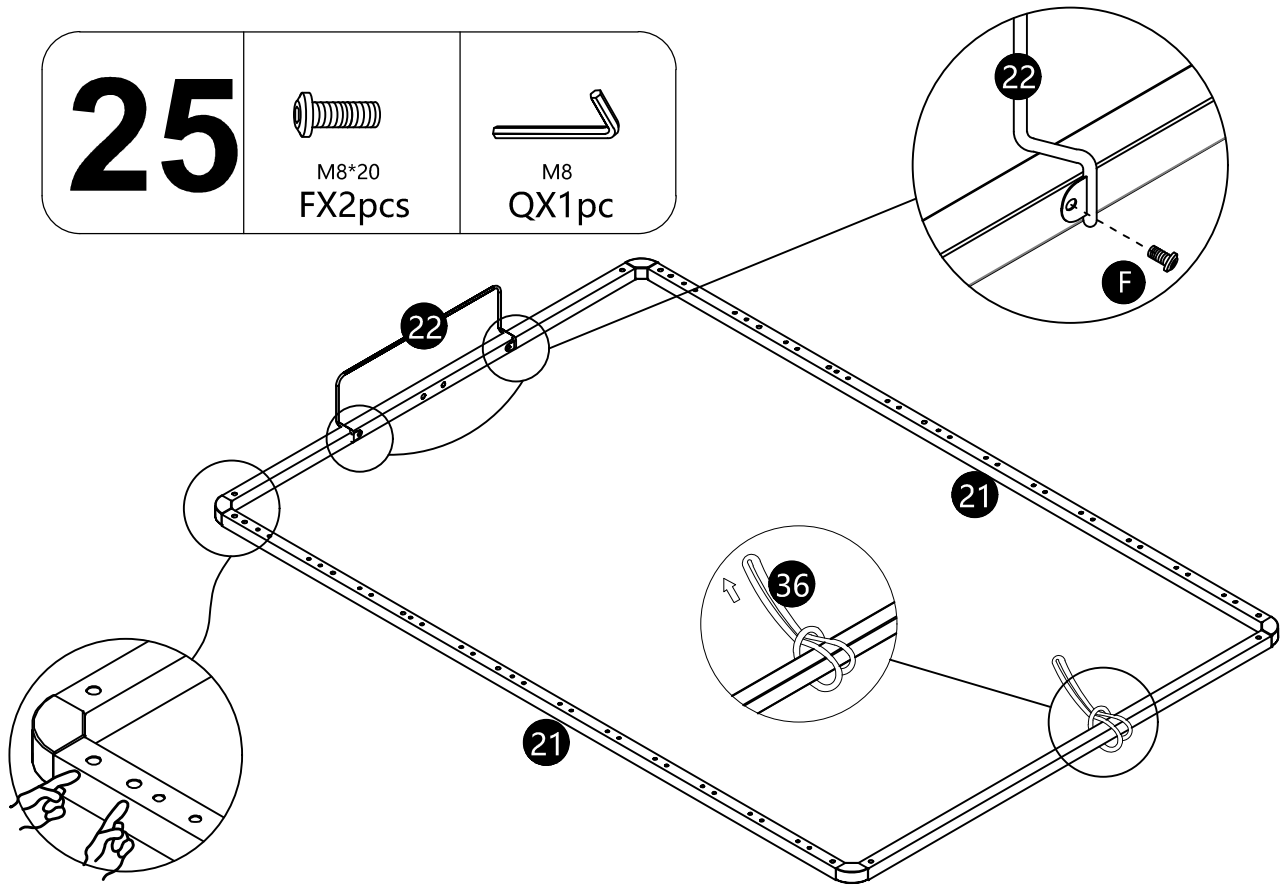
25



M8*20
FX2pcs



M8
QX1pc



26



M8X45
HX8pcs



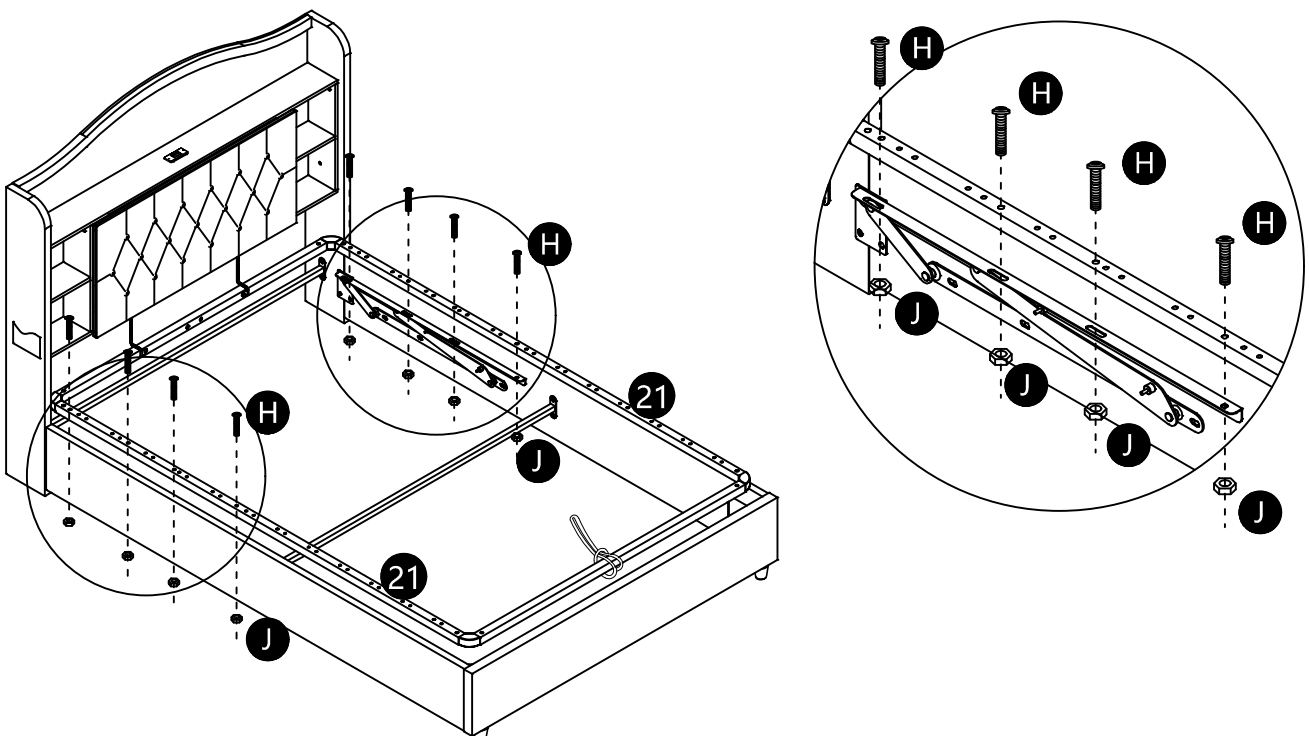
M8
QX1pc



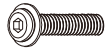
M8
JX8pcs



SX1pc



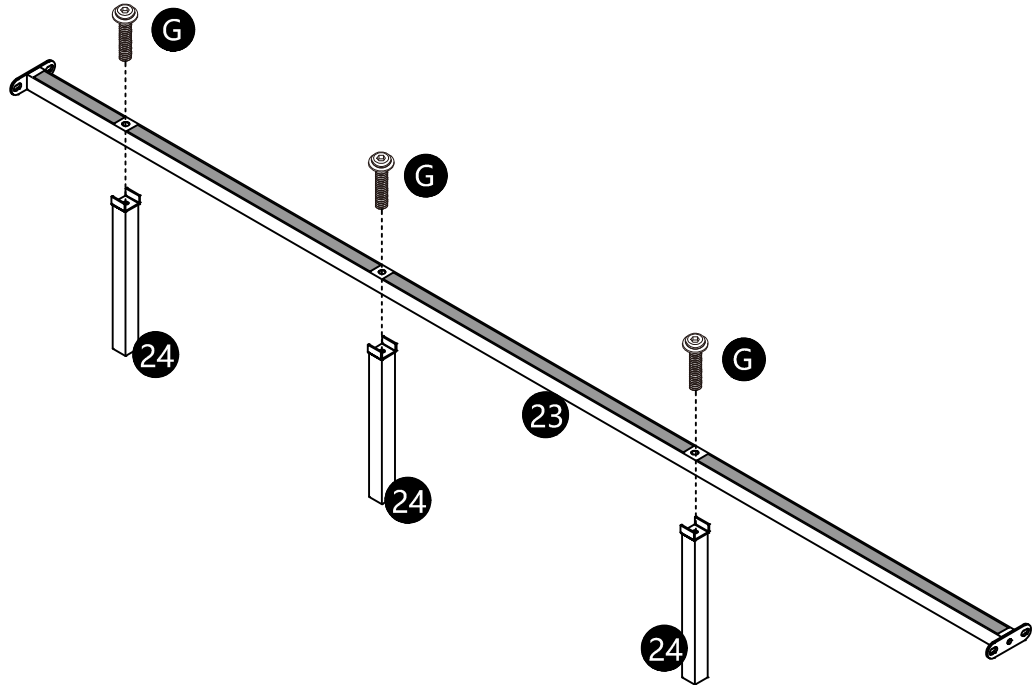
27



M8*35
GX3pcs



M8
QX1pc



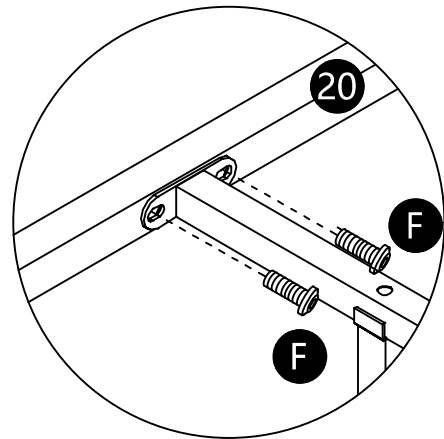
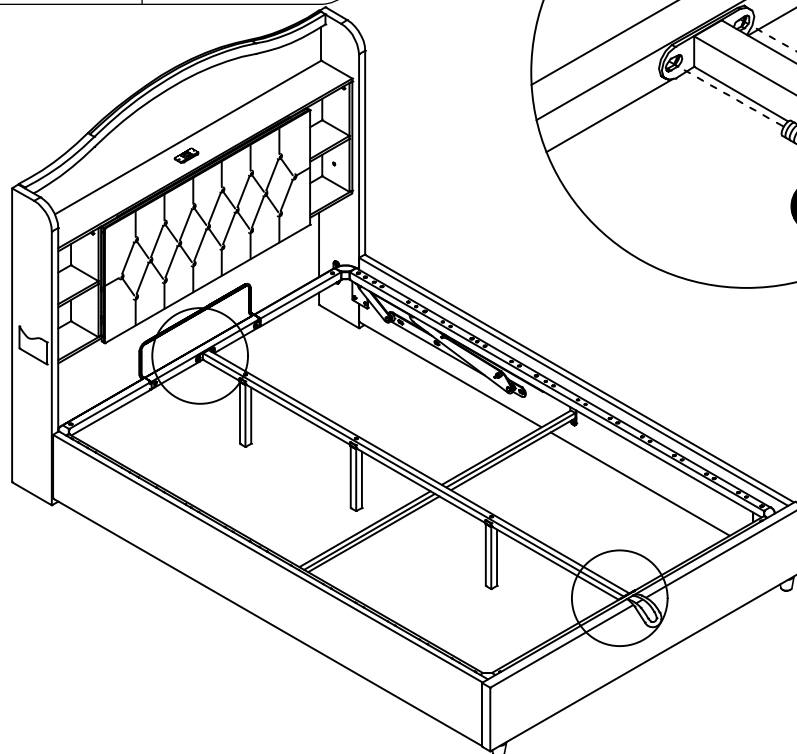
28



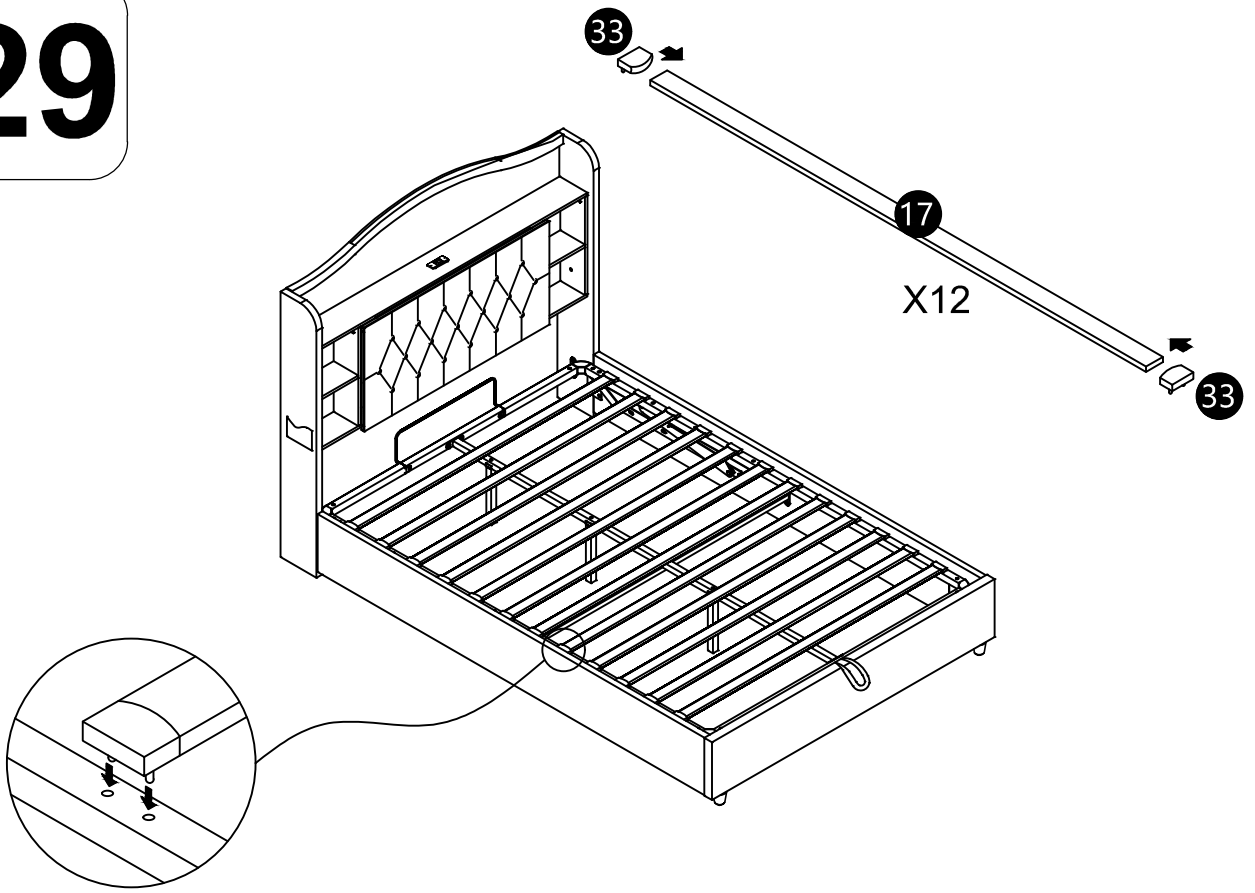
M8*20
FX4pcs





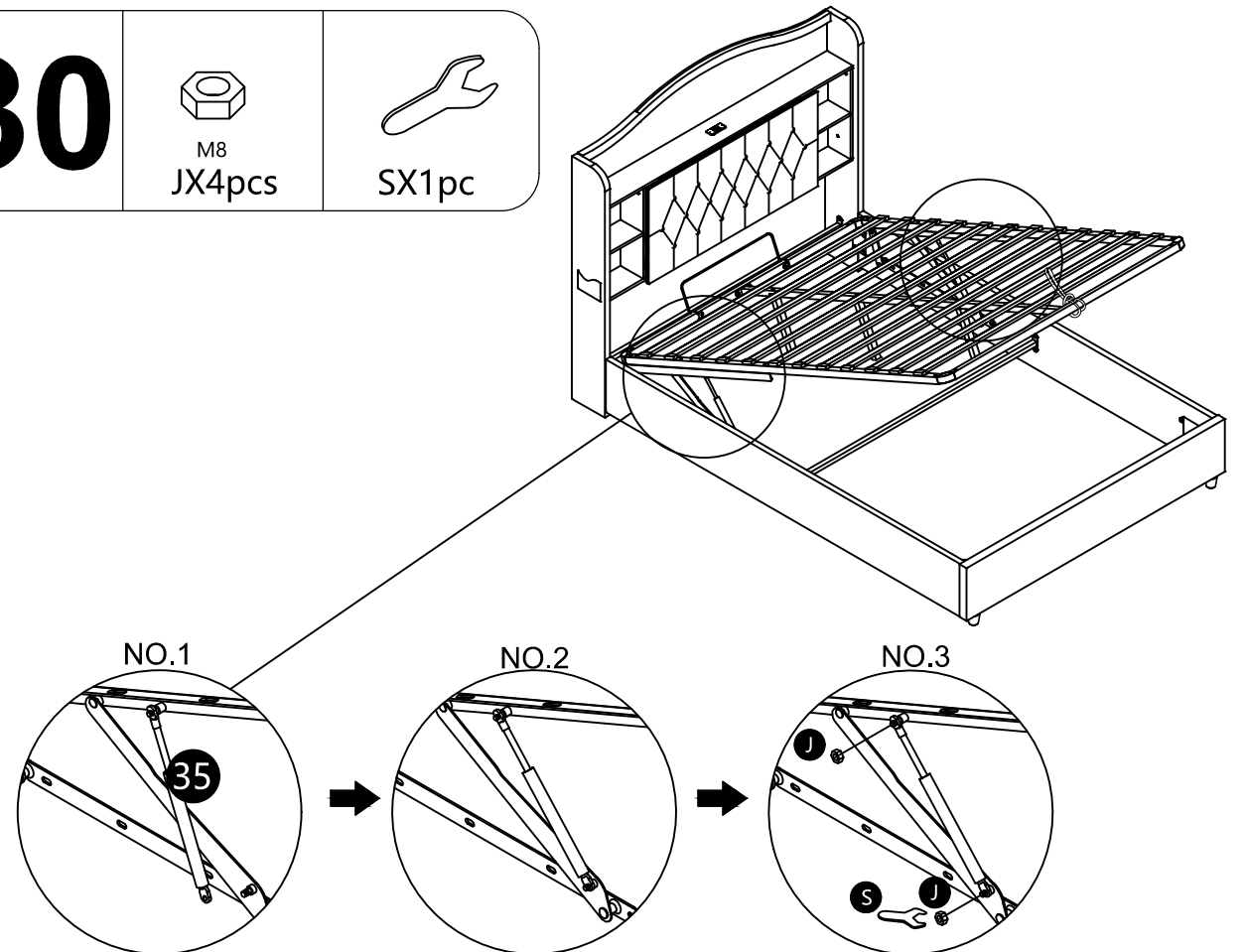
M8
QX1pc



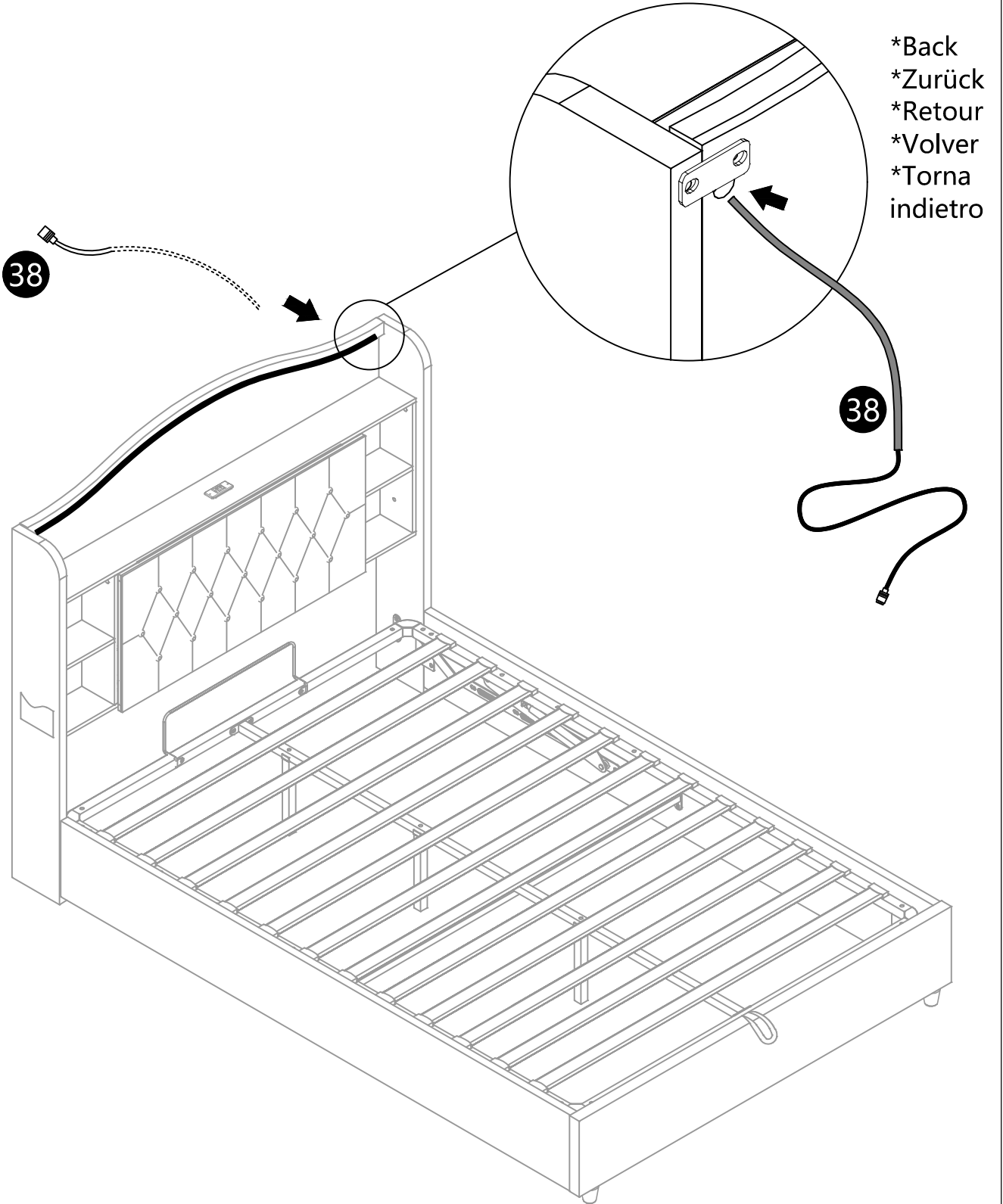
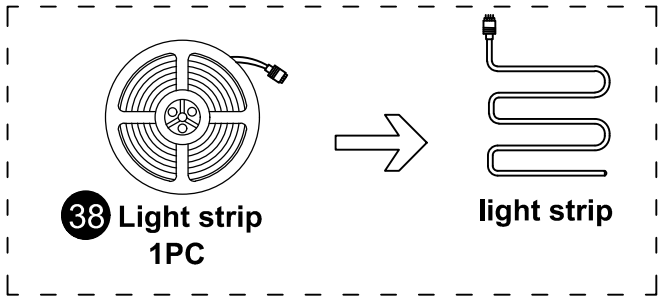
29



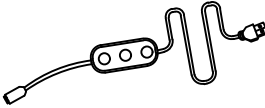
<h1>30</h1>	 <p>M8 JX4pcs</p>	 <p>SX1pc</p>
-------------	--	--

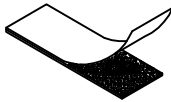


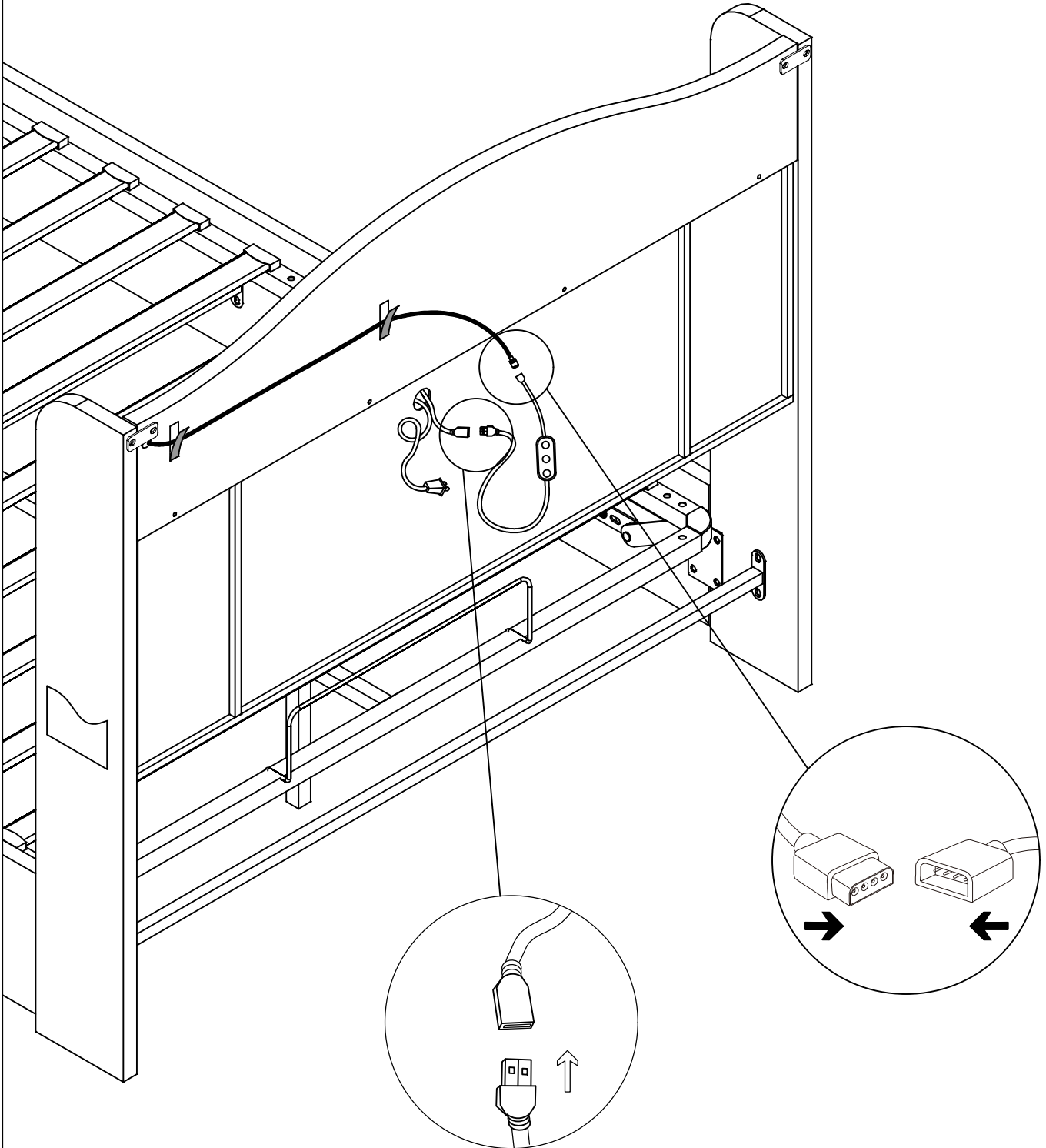
31



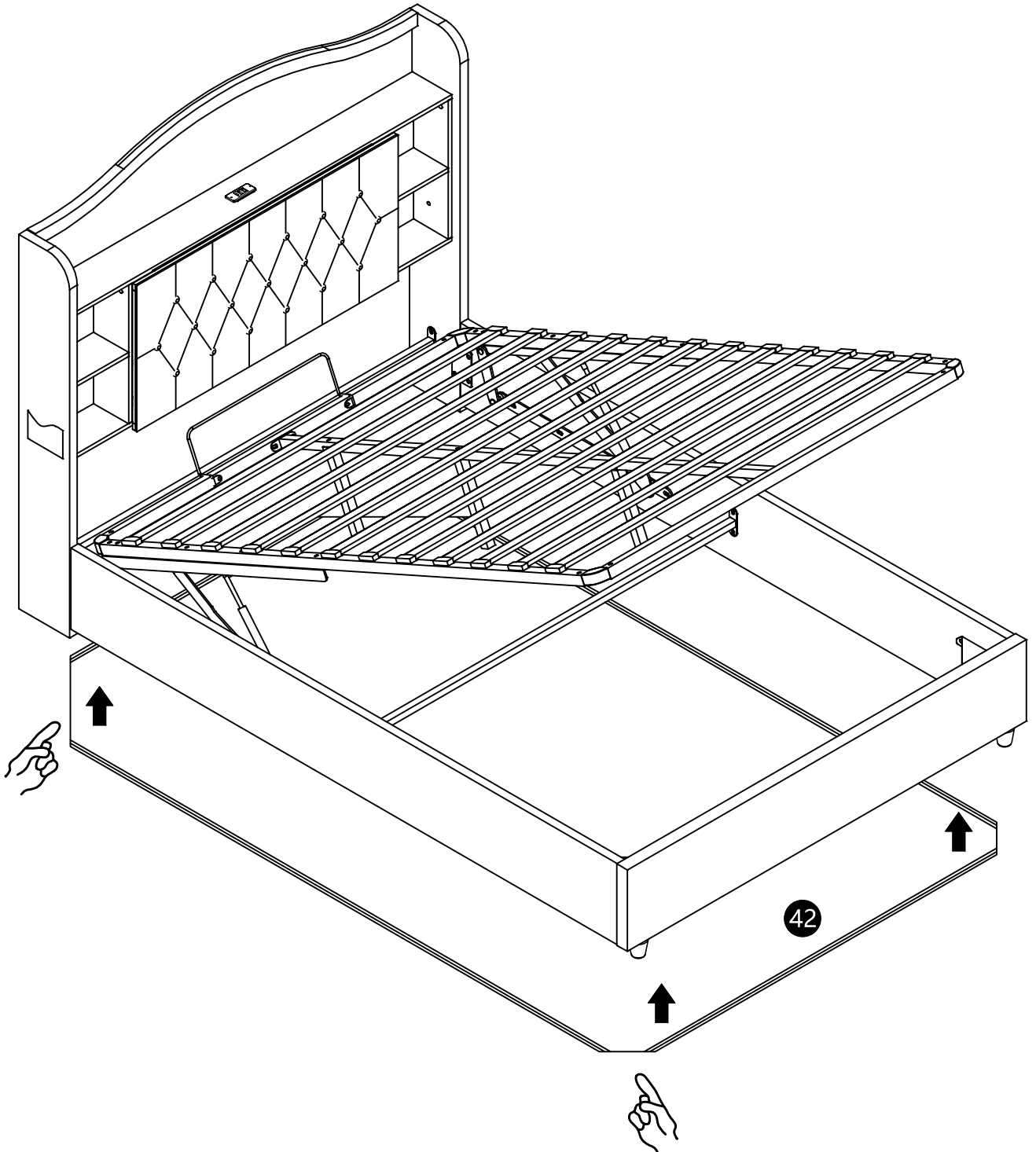
32

 **Power cord**
40 1PC

 **Magic tape**
41 2PCS



33



Reference No. : WTN23N07163435E
Applicant : Guangdong Zhangong Electrical Technology Co., LTD
Address : 701, Building 29, Zhifu Garden, Xingtan Town, Shunde District, Foshan City
Manufacturer : Same as applicant
Address : Same as applicant
Product : Furniture Power Distribution Units
Model No. : ZG-JJY-1UK to -8UK, others see attachment
Technical data : 250 Vac, 50 - 60 Hz, 13 A, USB: 5 Vdc, 2 A

Test Standards:

BS EN IEC 55015:2019+A11:2020
BS EN 61547:2009
BS EN IEC 61000-3-2:2019+A1:2021
BS EN 61000-3-3:2013+A1:2019+A2:2021


The above product has been tested by us with the listed standards and found in compliance with the Electromagnetic Compatibility Regulations 2016 of United Kingdom (S.I. 2016 No.1091). It is possible to use UKCA marking to demonstrate the compliance with the regulations.

BS EN IEC 55015: Limits and methods of measurement of radio disturbance characteristics of electrical lighting and similar equipment
BS EN 61547: Equipment for general lighting purposes — EMC immunity requirements
BS EN IEC 61000-3-2: Electromagnetic compatibility (EMC) Part 3-2: Limits — Limits for harmonic current emissions (equipment input current ≤ 16 A per phase)
BS EN 61000-3-3: Electromagnetic compatibility (EMC) Part 3-3: Limits - Limitation of voltage changes, voltage fluctuations and flicker in public low-voltage supply systems, for equipment with rated current ≤ 16 A per phase and not subject to conditional connection

The referred test report(s) show that the product complies with standard(s) recognized as giving presumption of compliance with the essential requirements in the above mentioned UK regulations. Other relevant UK regulations have to be observed.

After preparation of the necessary technical documentation as well as the declaration of conformity, the UKCA marking as shown below can be affixed on the equipment under the sole responsibility of the manufacturer.

**UK
CA**


Manager: Jianzhong Mao
Date: 2023-09-05

The statement is based on a single evaluation of the sample of above mentioned product. It does not imply an assessment of the whole production.

Waltek Testing Group (Ningbo) Co., Ltd.

Hotline: 400-840-2288 E-mail: nb@waltek.com.cn
Http://www.waltek.com.cn

Ver.10.22, WALTEK is registered trademark. Utilisation and application requires prior approval.

Attachment

Model list



Reference No.: WTN23N07163435E

No.	Model	Rated Input	Max Current	Max Output	Note
1.	ZG-JJY-1	250 Vac, 50 - 60 Hz	13 A	USB: 5 Vdc, 2 A	/
2.	ZG-JJY-1UK	250 Vac, 50 - 60 Hz	13 A	USB: 5 Vdc, 2 A	/
3.	ZG-JJY-2	250 Vac, 50 - 60 Hz	13 A	USB: 5 Vdc, 2 A	/
4.	ZG-JJY-2UK	250 Vac, 50 - 60 Hz	13 A	USB: 5 Vdc, 2 A	/
5.	ZG-JJY-3	250 Vac, 50 - 60 Hz	13 A	USB: 5 Vdc, 2 A	/
6.	ZG-JJY-3UK	250 Vac, 50 - 60 Hz	13 A	USB: 5 Vdc, 2 A	/
7.	ZG-JJY-4	250 Vac, 50 - 60 Hz	13 A	USB: 5 Vdc, 2 A	/
8.	ZG-JJY-4UK	250 Vac, 50 - 60 Hz	13 A	USB: 5 Vdc, 2 A	/
9.	ZG-JJY-5	250 Vac, 50 - 60 Hz	13 A	USB: 5 Vdc, 2 A	/
10.	ZG-JJY-5UK	250 Vac, 50 - 60 Hz	13 A	USB: 5 Vdc, 2 A	/
11.	ZG-JJY-6	250 Vac, 50 - 60 Hz	13 A	USB: 5 Vdc, 2 A	/
12.	ZG-JJY-6UK	250 Vac, 50 - 60 Hz	13 A	USB: 5 Vdc, 2 A	/
13.	ZG-JJY-7	250 Vac, 50 - 60 Hz	13 A	USB: 5 Vdc, 2 A	/
14.	ZG-JJY-7UK	250 Vac, 50 - 60 Hz	13 A	USB: 5 Vdc, 2 A	/
15.	ZG-JJY-8	250 Vac, 50 - 60 Hz	13 A	USB: 5 Vdc, 2 A	/
16.	ZG-JJY-8UK	250 Vac, 50 - 60 Hz	13 A	USB: 5 Vdc, 2 A	/



Shenzhen ZKT Technology Co., Ltd.
 1/F, No. 101, Building B, No. 6, Tangwei Community Industrial Avenue,
 Fuhai Street, Bao'an District, Shenzhen, China



Certificate of Compliance

Certificate Number: ZKT-25070215184C

Certificate's Holder : Dongguan Yihong Hardware Electronics Co., Ltd
 Room 1106, No.2, Shangheng Road, Chang' an Town,
 Dongguan

Manufacturer : Dongguan Yihong Hardware Electronics Co., Ltd
 Room 1106, No.2, Shangheng Road, Chang' an Town,
 Dongguan

Trade Mark : N/A

Product : LED controller

Model(s) : YH-6183
 YH-252, YH-284, YH-290, YH-287, YH-358, YH-360, YH-6180,
 YH-6184

Requirement	Standard	Report No.
Art.3.1(a) Safety	BS EN IEC 62368-1:2024+A11:2024	ZKT-25070215185S
Art.3.1(a) Health	BS EN IEC 62311:2020 BS EN 50665:2017	ZKT-25070215184E-1
Art.3.1(b) EMC	ETSI EN 301 489-1 V2.2.3 (2019-11) ETSI EN 301 489-17 V3.3.0 (2024-07)	ZKT-25070215184E-2
Art.3.2 Radio	ETSI EN 300 328 V2.2.2 (2019-07)	ZKT-25070215184E-3

This Attestation of Compliance is issued on a voluntary basis for electrical equipment below the voltage limits of Radio Equipment Directive (RED) 2014/53/EU. The essential requirement are fulfilled accordingly based on the technical specifications applicable at the time of issuance.



This Certificate of Conformity is based on single evaluation of the submitted sample(s) of the above mentioned product. It does not imply an assessment of the whole product and relevant Directives to be observed.

Attestation of Compliance

Declaration No.:	MK23110141P01-E01
Name and address of Applicant:	Shenzhen Hongzhengyu Technology Co., LTD Shenzhen baoan district rock street industrial science and technology industrial park of 2 Haitian lanyu 3 5 floor of A
Name and address of Manufacturer:	Shenzhen Hongzhengyu Technology Co., LTD Shenzhen baoan district rock street industrial science and technology industrial park of 2 Haitian lanyu 3 5 floor of A
Product name:	RGB package
Rated:	DC5V
Product model(s):	HZY-5050RGB-30D-90R-DC5V, HZY-5050RGB-30D-30R-DC5V, HZY-5050RGB-60D-60R-DC5V, HZY-5050RGB-60D-180R-DC5V, HZY-5050RGB-18D-18R-DC5V
Product trademark:	N/A

This Attestation of Compliance confirms that the product meets the requirements of the following standard.

BS EN IEC 55015:2019+A11:2020
IEC 61547:2020
BS EN IEC 61000-3-2:2019
BS EN 61000-3-3:2013/A2:2021

The Attestation of Compliance has been carried out in accordance with individual rules and conditions agreed with the applicant. Evaluation has been carried out in accordance with:

Test report(s) No.:	MK23110141P01-E01
Test conducted by:	TMC Testing Services (Shenzhen) Co., Ltd.
Declaration issue date:	December 5, 2023

Notes:

This Attestation of Compliance is issued according to the Great Britain legislation Electromagnetic Compatibility Regulations 2016(SI 2016 No. 1091). It confirms that the listed products complies with all essential requirements of the Regulations and applies only to the sample and its technical documentation to TMC Testing Services (Shenzhen) Co., Ltd. for testing.

After preparation of the necessary technical documentation (which must be kept for up 10 years after the product is placed on the GB market) as well as the UK Declaration of Conformity, the required UKCA marking can be affixed on the product. Other relevant Regulations have to be observed.

TMC Testing Services (Shenzhen) Co., Ltd.

t:86-755-86642861 cert@tmc-lab.com www.tmc-lab.com

1st Floor, Block A1, Zone A, Xinshidai Gongrong Industrial Park, No. 2, Shihuan Road, Shiyuan Street, Baoan District, Shenzhen, China



Vivian Jiang
Lab Director
Vivian Jiang

**UK
CA**



Attestation of Compliance

Attestation No. : LCSA11254142E

Approval Holder : Dongguan Yihong Hardware Electronics Co., Ltd

Address : Room 1106, No.2, Shangheng Road, Chang'an Town, Dongguan

Manufacturer : Dongguan Yihong Hardware Electronics Co., Ltd

Address : Room 1106, No.2, Shangheng Road, Chang'an Town, Dongguan

Brand Name : N/A

Product : LED controller

Type/Model Name : YH-6183, YH-252, YH-284, YH-290, YH-287, YH-358, YH-360, YH-6180, YH-6184

H/S Version : HW: /
SW: /

Attestation of the technical design of the radio equipment according to the following essential requirements set out in CHAPTER 1 of the Radio Equipment Regulations 2017: UK Radio Equipment Regulations (S.I. 2017 NO. 1206)

6.1a: Health and Safety Conform

6.1b: Electromagnetic Compatibility Conform

6.2: Effective Use of the Radio Spectrum Conform

CE-marking

UKCA-marking

**UK
CA**

This attestation is issued in accordance with the Directive 2014/53/EU of the European Parliament and of the Council of 16 April 2014 on the harmonisation of the laws of the Member States relating to the making available on the market of radio equipment.

December 16, 2024

Date of issue



Manager



Shenzhen LCS Compliance Testing Laboratory Ltd.
Room 101, 201, Building A and Room 301, Building C, Juji Industrial Park, Yabianxueziwei, Shajing Street,
Bao'an District, Shenzhen, Guangdong, China
Tel: (86)0755-82591330 Fax: (86)0755-82591332
Http://www.lcs-cert.com Email: webmaster@lcs-cert.com

Annex



Applied Standards and Test Reports

Standard	Laboratory	Test Report Number
ETSI EN 301 489-1 V2.2.3 (2019-11) ETSI EN 301 489-17 V3.3.1 (2024-09) EN 55032:2015/A11:2020 EN 55035:2017/A11:2020	Shenzhen LCS Compliance Testing Laboratory Ltd.	LCSA11254142EA
ETSI EN 300 328 V2.2.2 (2019-07)	Shenzhen LCS Compliance Testing Laboratory Ltd.	LCSA11254142EB LCSA11254142EC
EN IEC 62311:2020	Shenzhen LCS Compliance Testing Laboratory Ltd.	LCSA11254142ED
BS EN IEC 62368-1:2020+A11:2020	Shenzhen LCS Compliance Testing Laboratory Ltd.	LCSA11254141S

General Remarks:

1. This conformity assessment is limited to the essential requirements of the RED Directive. Only products fulfilling all essential requirements of all applicable new approach directives may be placed on the market and put into service.
2. Products in compliance with all provisions of the applicable directives providing for the CE marking must bear this marking.
3. The manufacturer shall take all measures necessary so that the manufacturing process and its monitoring ensure conformity of the manufactured radio equipment with the approved type described in the Attestation of Compliance and with the requirements of Directive 2014/53/EU that apply to it.
4. This device also contains frequency bands that are not operational in EU member states. Only the frequency bands used in European Union have been assessed for this attestation.
5. The manufacturer shall draw up a written EU declaration of conformity for each radio equipment type and keep it at the disposal of the national authorities for 10 years after the radio equipment has been placed on the market. The EU declaration of conformity shall identify the radio equipment type for which it has been drawn up. A copy of the EU declaration of conformity shall be made available to the relevant authorities upon request.



**UK
CA**



Importer	COMHARBOR LIMITED		
Add	Unit C,Swit Point,Cosford Lane,Rugby,CV211PY,GB		
Email/URL	harborcomhar@gmail.com		
Manufacturer	Dongguan Yihong Hardware Electronics Co.. Ltd		
Add	Room 1106.No.2,Shangheng Road, Chang an Town		
Email/URL	414564409@qq.com		
Product identification	202508		
Made in	China		
Produt Name: LED Controller Model:YH-252			
Rated voltage: 5 V Rated frequency:50/60Hz Power:15W			
<table border="1"><tr><td>UK</td><td>REP</td></tr></table>	UK	REP	COMHARBOR LIMITED Unit C,Swit Point,Cosford Lane,Rugby,CV211PY,GB harborcomhar@gmail.com
UK	REP		

**UK
CA**



Importer	COMHARBOR LIMITED		
Add	Unit C,Swit Point,Cosford Lane,Rugby,CV211PY,GB		
Email/URL	harborcomhar@gmail.com		
Manufacturer	Foshan Xinwang Intelligent Technology Co., Ltd.		
Add	The fifth floor of Building 3, Haitian Lanyu Science and Technology Industrial Park, No. 5, Industrial 2nd Road, Shilongzi Community, Shiyan Street, Bao'an District, Shenzhen		
Email/URL	610488898@qq.com		
Product identification	202508		
Made in	China		
Produt Name: LED soft light strip Model:HZY-5050RGB-60D-5V			
Rated voltage: 5 V Rated frequency:50/60Hz Power:4.5W/M			
<table border="1"><tr><td>UK</td><td>REP</td></tr></table>	UK	REP	COMHARBOR LIMITED Unit C,Swit Point,Cosford Lane,Rugby,CV211PY,GB harborcomhar@gmail.com
UK	REP		

**UK
CA**



Importer	COMHARBOR LIMITED		
Add	Unit C,Swit Point,Cosford Lane,Rugby,CV211PY,GB		
Email/URL	harborcomhar@gmail.com		
Manufacturer	Guangdong Zhangong Eledtrical Technology Co. LTD		
Add	701,Building 29, hifu Garden, Xingtan Town, ShundeDistrict, Foshan City		
Email/URL	info@waltek.com.cn		
Product identification	202508		
Made in	China		
<table border="1"><tr><td>UK</td><td>REP</td></tr></table>	UK	REP	COMHARBOR LIMITED Unit C,Swit Point,Cosford Lane,Rugby,CV211PY,GB harborcomhar@gmail.com
UK	REP		