

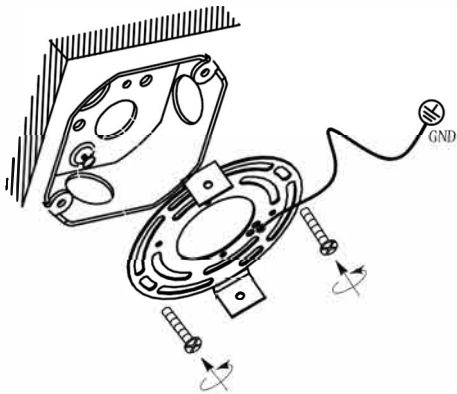
# Wall Sconce

## NOTE:

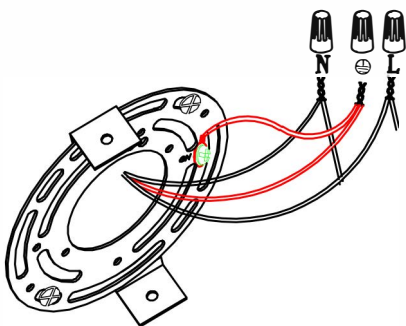
- \* Make sure **POWER** is **COMPLETELY OFF** at the fuse box
- \* Have your fixture installed by a qualified licensed electrician
- \* Prepare everything in a clear area
- \* Wear gloves at all time during this installation
- \* Read instructions carefully before you start assembly
- \* Keep this installation sheet for future reference

## Installation: Hard-wired connection

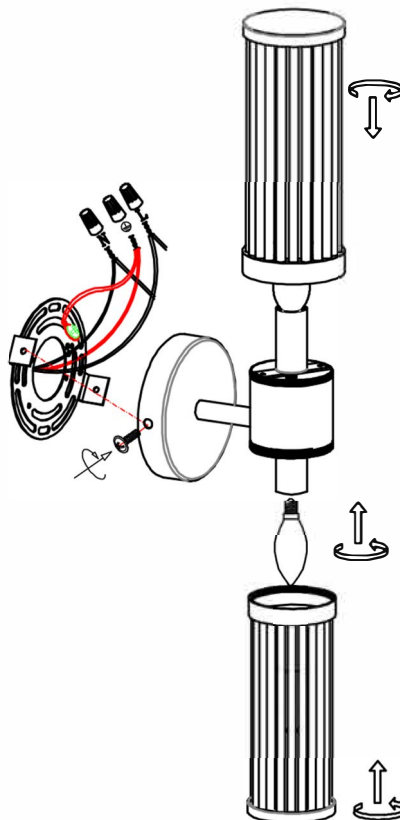
1. Remove fixture from its original package and separate mounting palate from fixture body.
2. Attach mounting plate to electrical junction box using screws provided in hardware package (Refer to point a. )
3. Make proper electrical connections (black to hot "L", white to neutral "N", ground to "GND") with wire nuts provided in hardware package(Refer to point b. )
4. Inserting E12 bulbs (Not included ) and fix the glass shades (Refer to point c. )



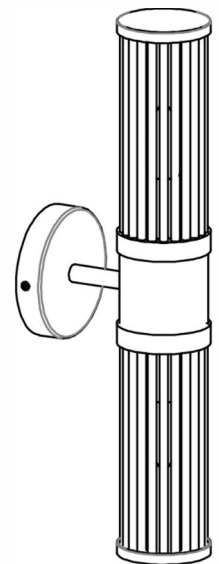
a.



b.



c.



d.