

DAY BED

ASSEMBLY INSTRUCTION



ASSEMBLY INSTRUCTIONS

ASSEMBLY TIPS:

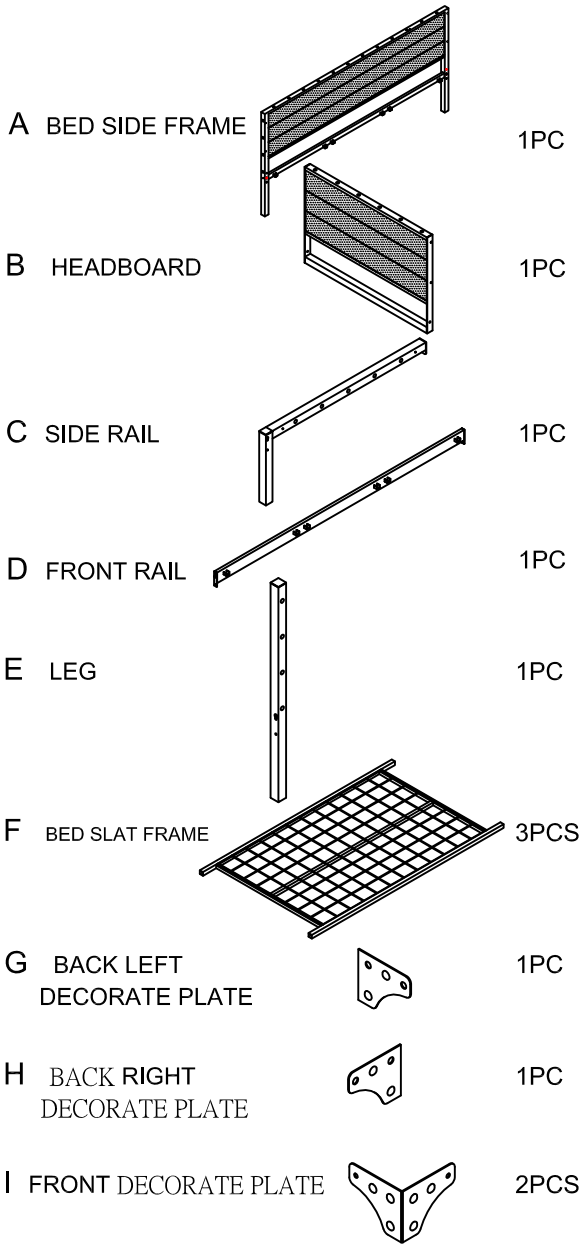
1. Remove hardware from box and sort by size.
2. Please check to see that all hardware and parts are present prior to start of assembly.
3. Please follow attached instructions in the same sequence as numbered to assure fast & easy assembly.



Warning !

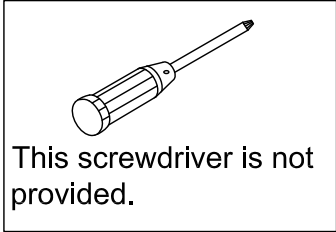
1. Don't attempt to repair or modify parts that are broken or defective . Please contact the store immediately.
2. This product is for home use only and not intended for commercial establishment.

PARTS IDENTIFICATION

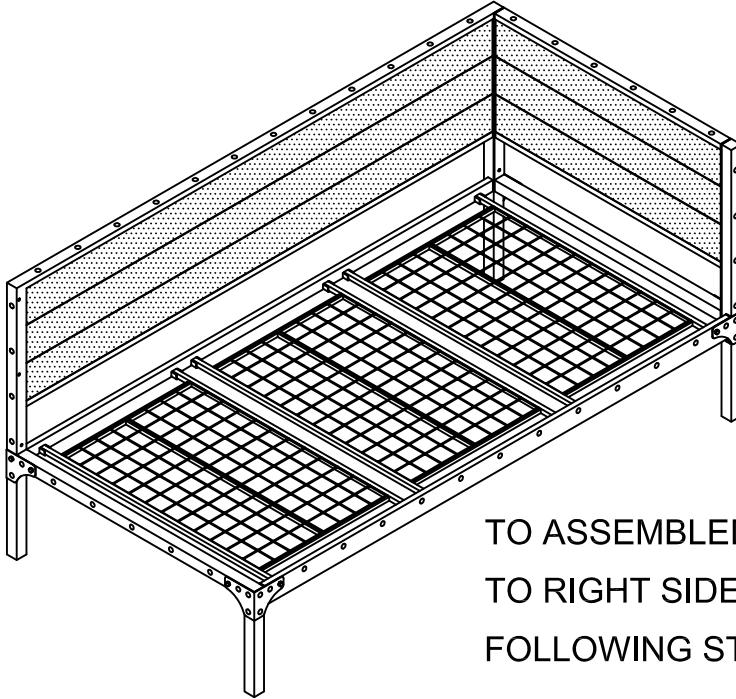


HARDWARE PACKAGE

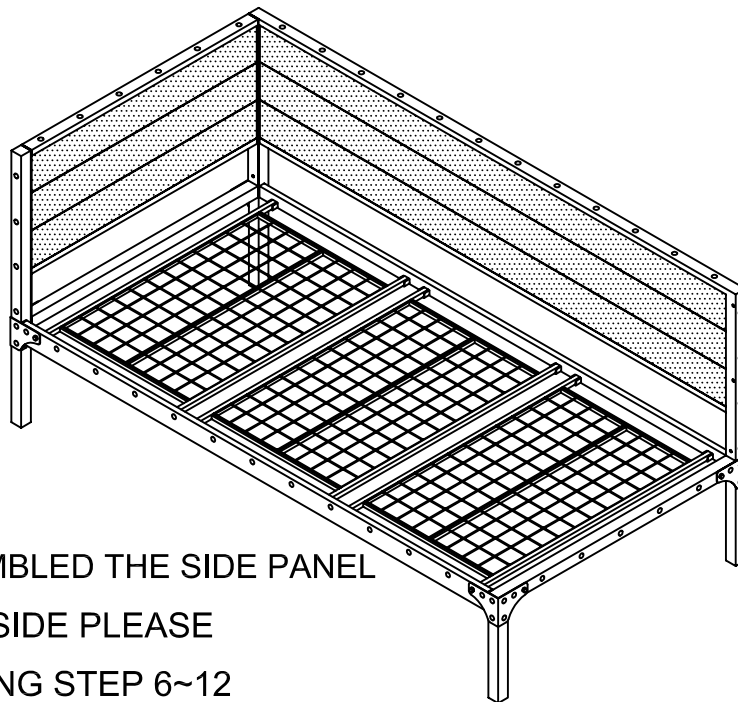
NO	DESCRIPTION	FIGURE	QTY
1	BOLT 1/4"x5/8"		21PCS
2	BOLT 1/4"x2"		1PC
3	BOLT 5/16"x1/2"		8PCS
4	METAL WASHER		22PCS
5	ALLEN WRENCH		1PC
6	WRENCH (14mm)		1PC



THE SIDE PANEL CAN BE ASSEMBLED ON EITHER SIDE



TO ASSEMBLED THE SIDE PANEL
TO RIGHT SIDE PLEASE
FOLLOWING STEP 1~5







TO ASSEMBLED THE SIDE PANEL
TO LEFT SIDE PLEASE
FOLLOWING STEP 6~12

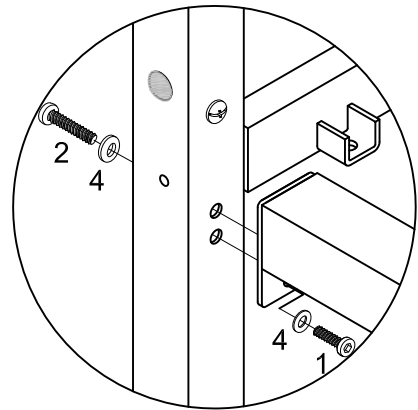
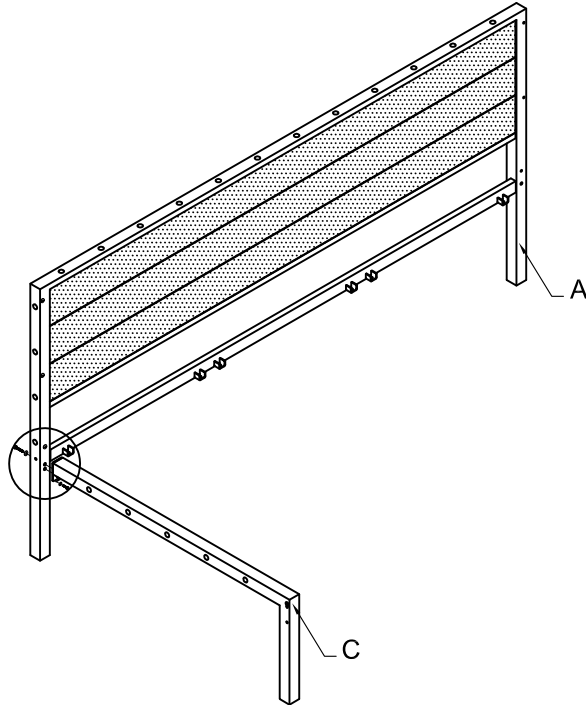
ASSEMBLY INSTRUCTION

ASSEMBLY




Do not fully tighten all bolts until assembly is complete. This will help all parts to assemble properly.

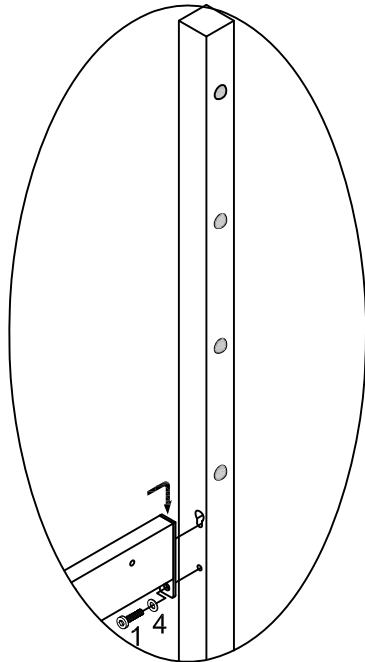
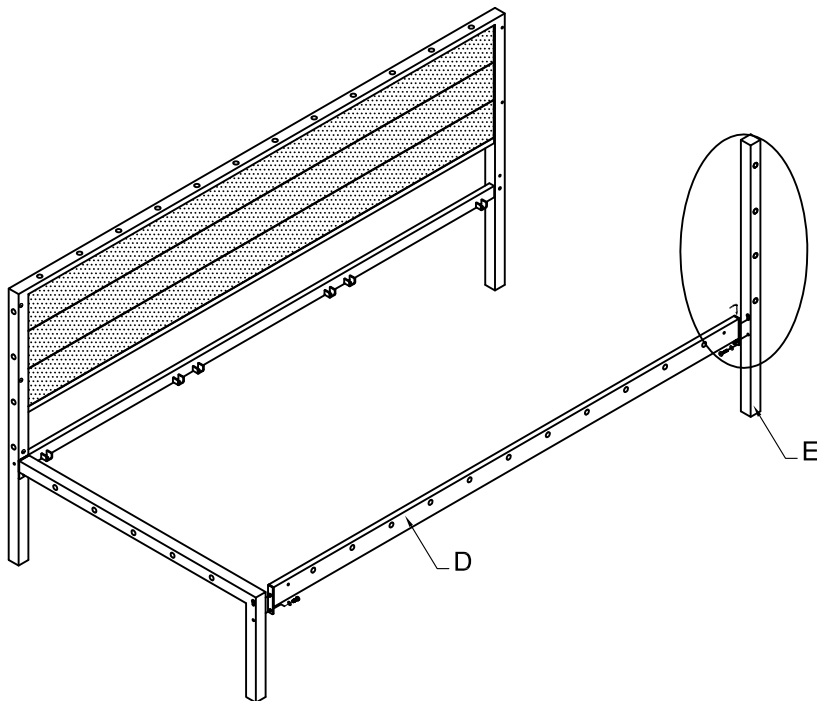
Step 1:

1		1PC
2		1PC
4		2PCS
5		






Step 2:

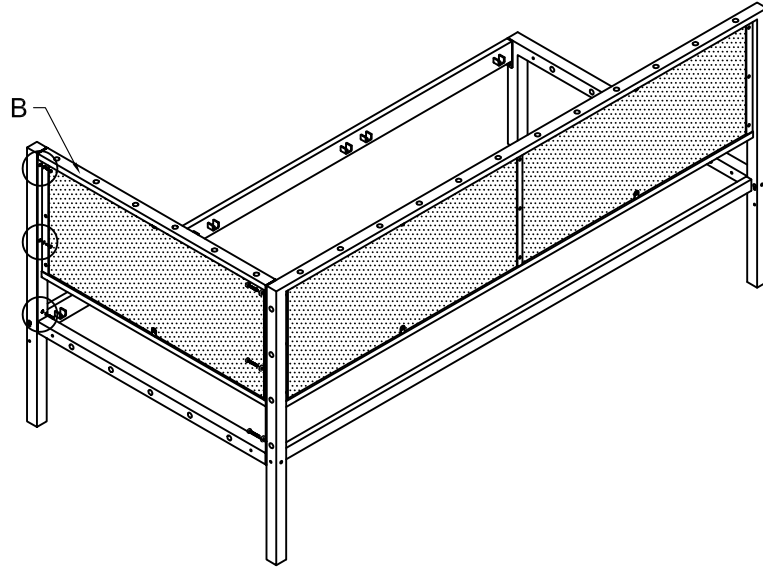
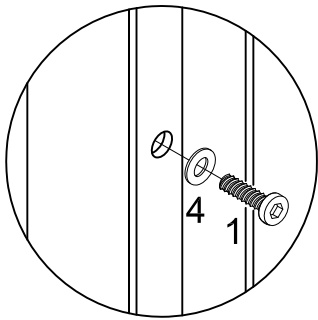
1		2PCS
4		2PCS
5		




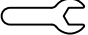
ASSEMBLY INSTRUCTION

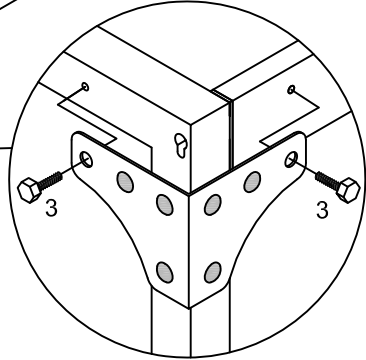
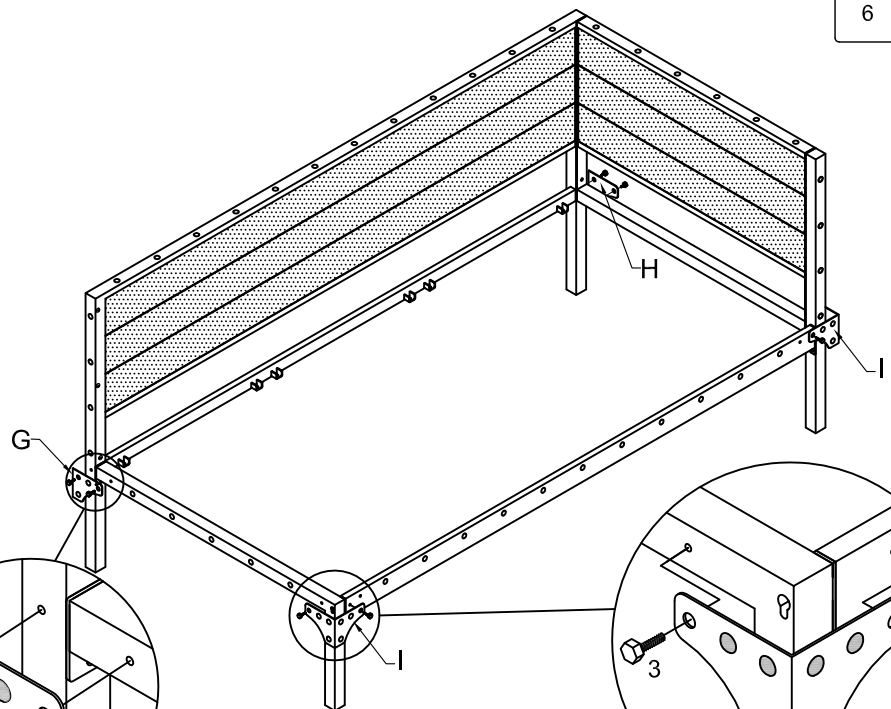
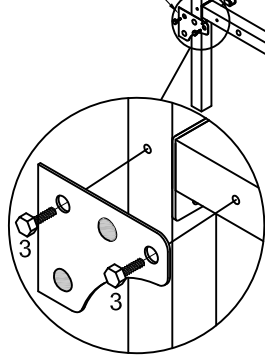
Step 3:

1		6PCS
4		6PCS
5		






Step 4:

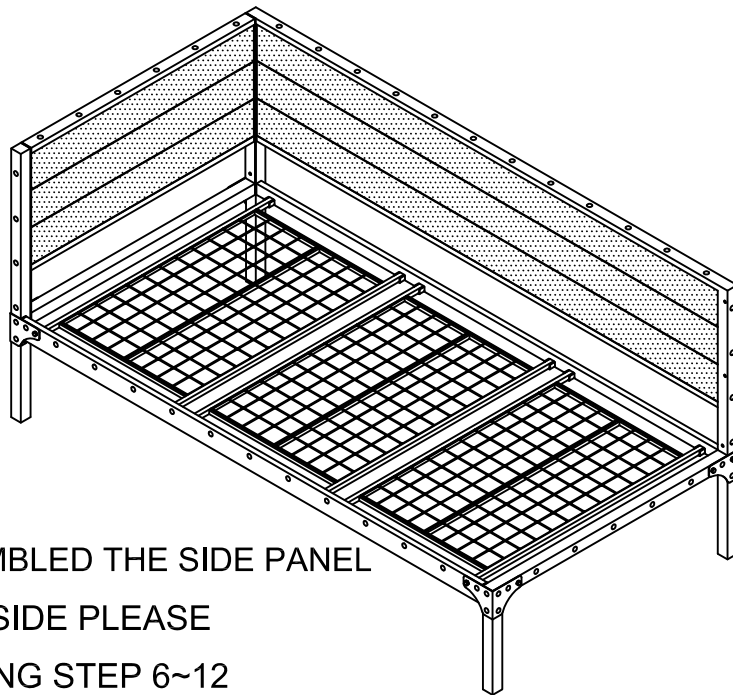
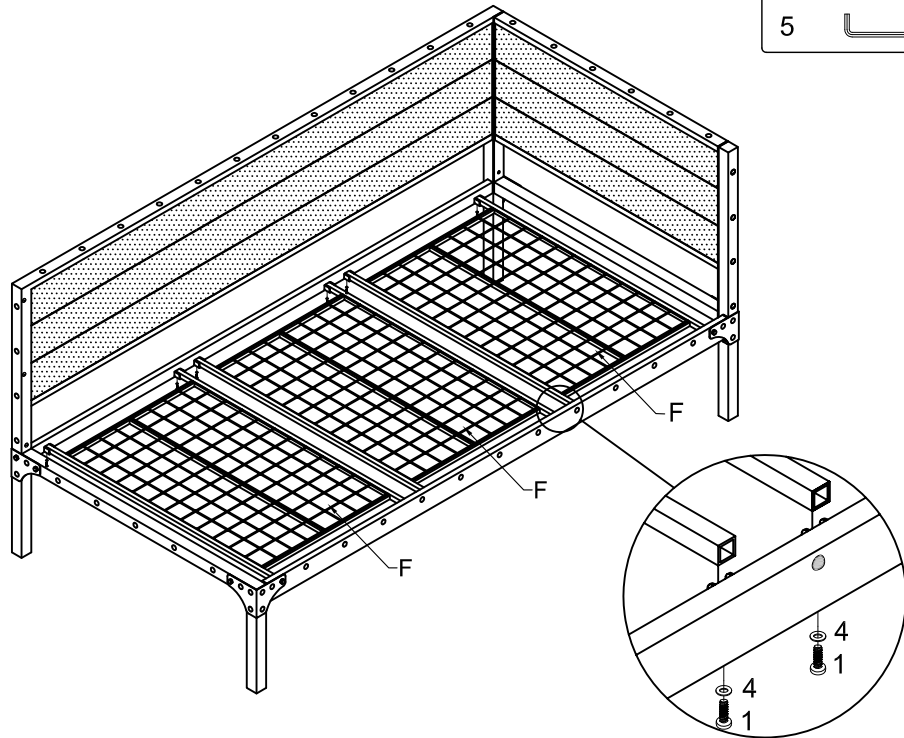
3		8PCS
6		



ASSEMBLY INSTRUCTION

Step 5:

1		12PCS
4		12PCS
5		







TO ASSEMBLED THE SIDE PANEL
TO LEFT SIDE PLEASE
FOLLOWING STEP 6~12

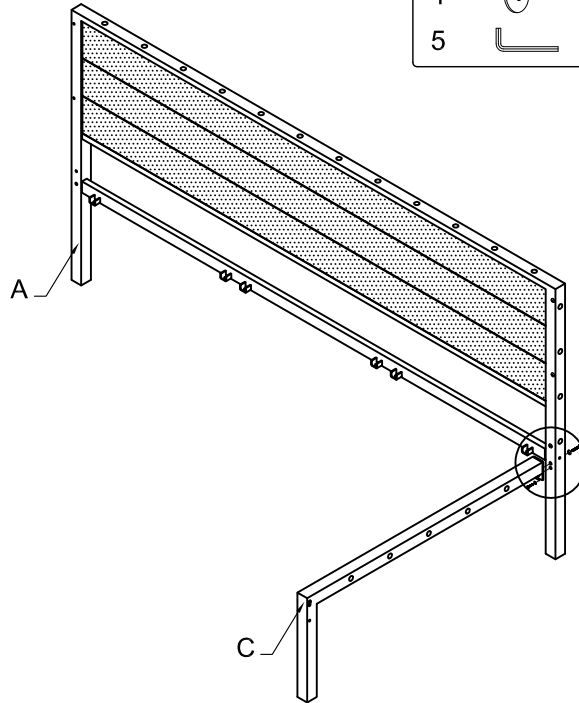
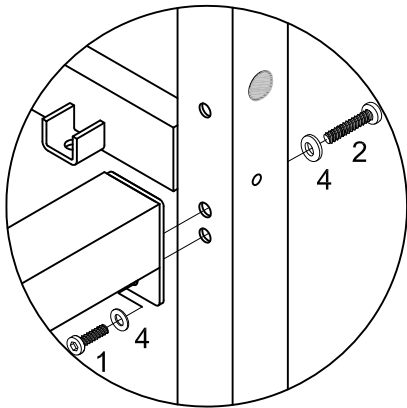
ASSEMBLY INSTRUCTION

ASSEMBLY




Do not fully tighten all bolts until assembly is complete. This will help all parts to assemble properly.

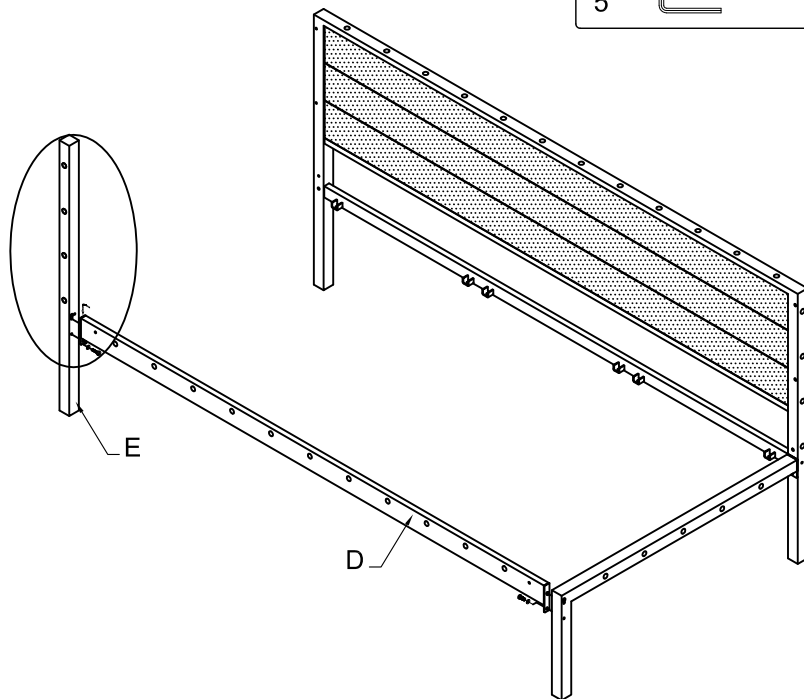
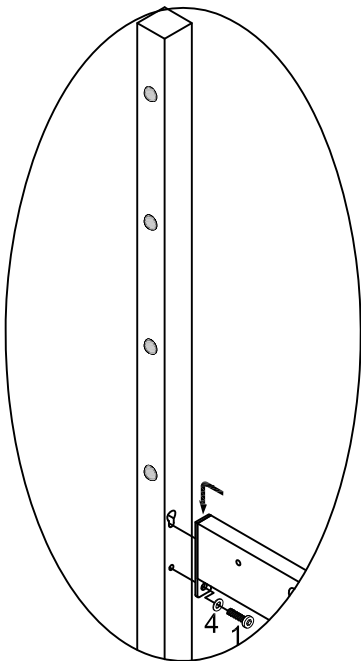
Step 6:

1		1PC
2		1PC
4		2PCS
5		



Step 7:

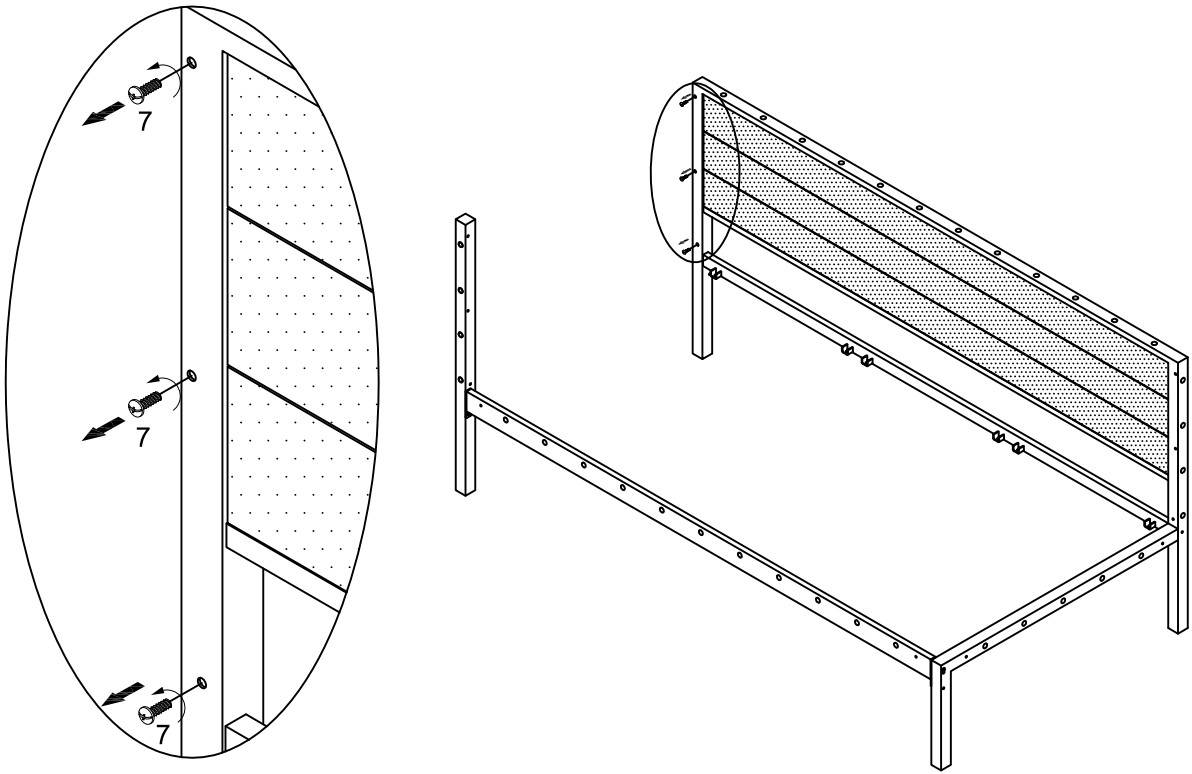
1		2PCS
4		2PCS
5		



ASSEMBLY INSTRUCTION

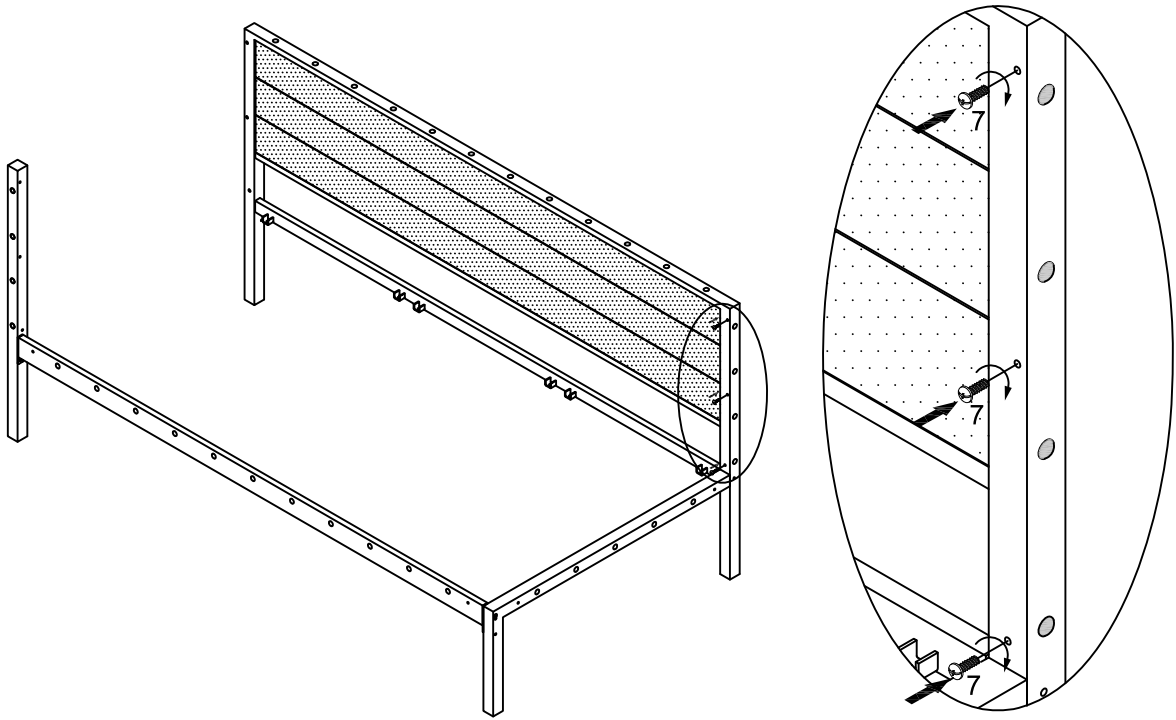
Step 8:

7  3PCS






Step 9:

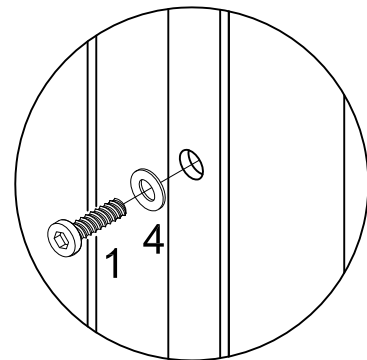
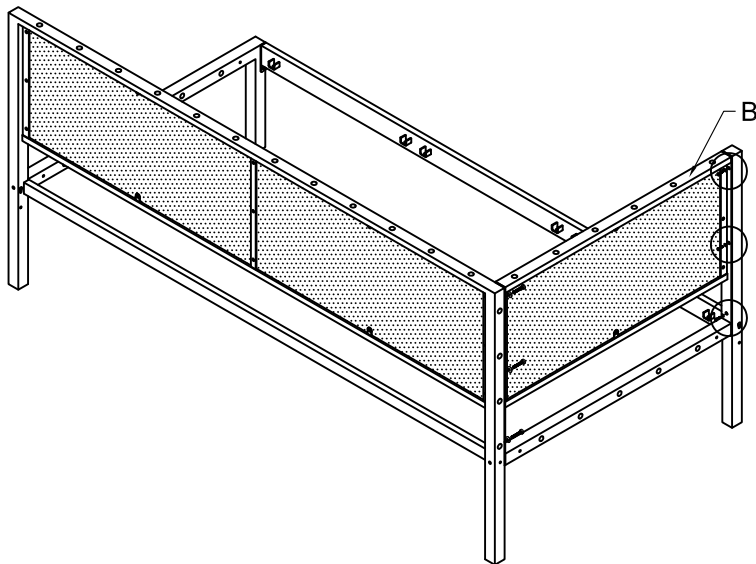
7  3PCS




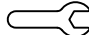
ASSEMBLY INSTRUCTION

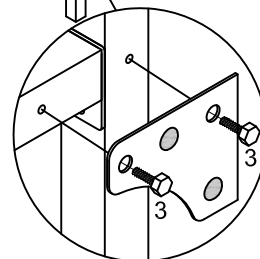
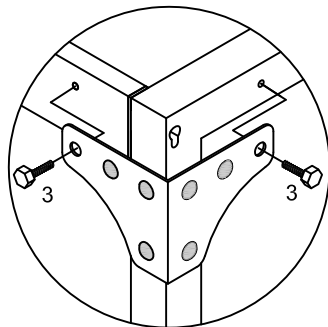
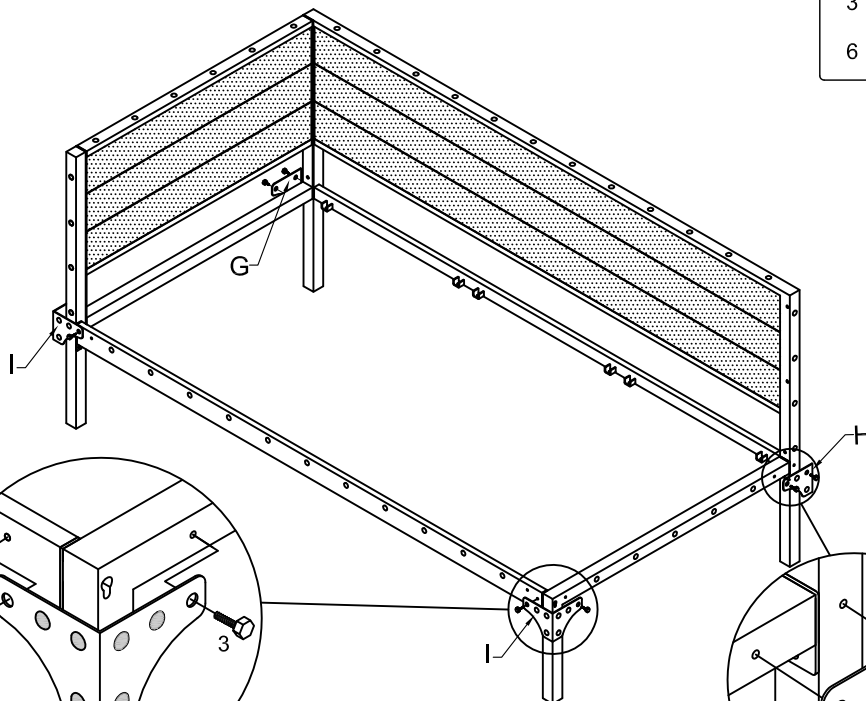
Step 10:

1		6PCS
4		6PCS
5		






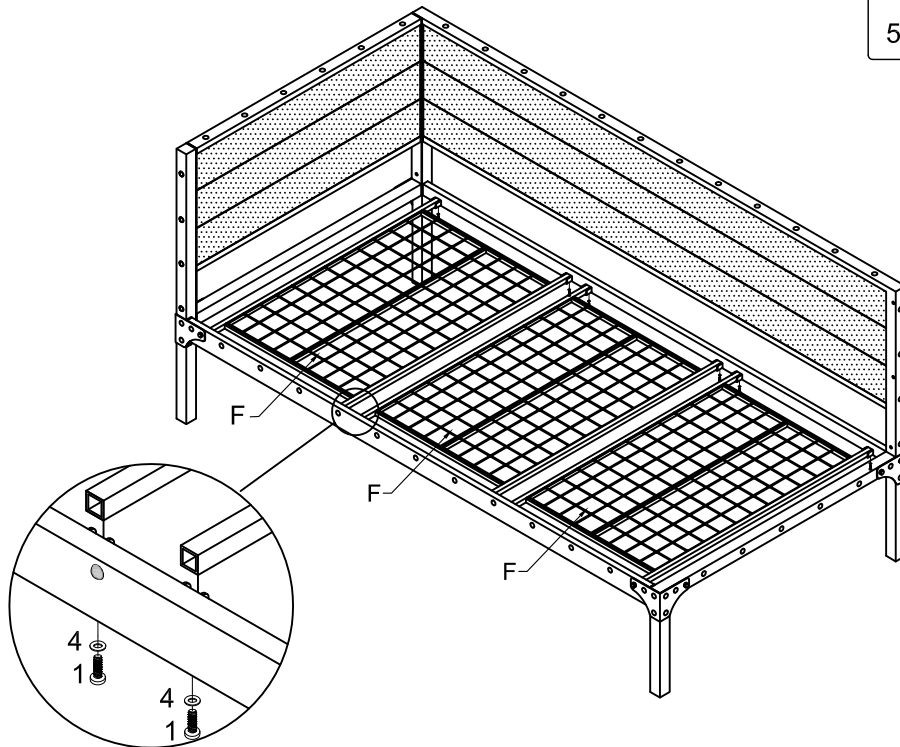
Step 11:

3		8PCS
6		



Step 12:

1		12PCS
4		12PCS
5		



WARNINGS:

- Use only mattress which is 74"-75" long and 37 $\frac{1}{2}$ "- 38 $\frac{1}{2}$ " wide.
- Do not allow horseplay or under the bed and prohibit jumping on the bed.
- Periodically check and ensure that all the components are in their proper position, free from damage, and that all connectors are tight.
- Do not use substitute parts, Contact the store for replacement part.
- Maximum total weight is not to exceed 400 lbs.
- **Keep these instructions for your future reference.**