










Assembly Instructions

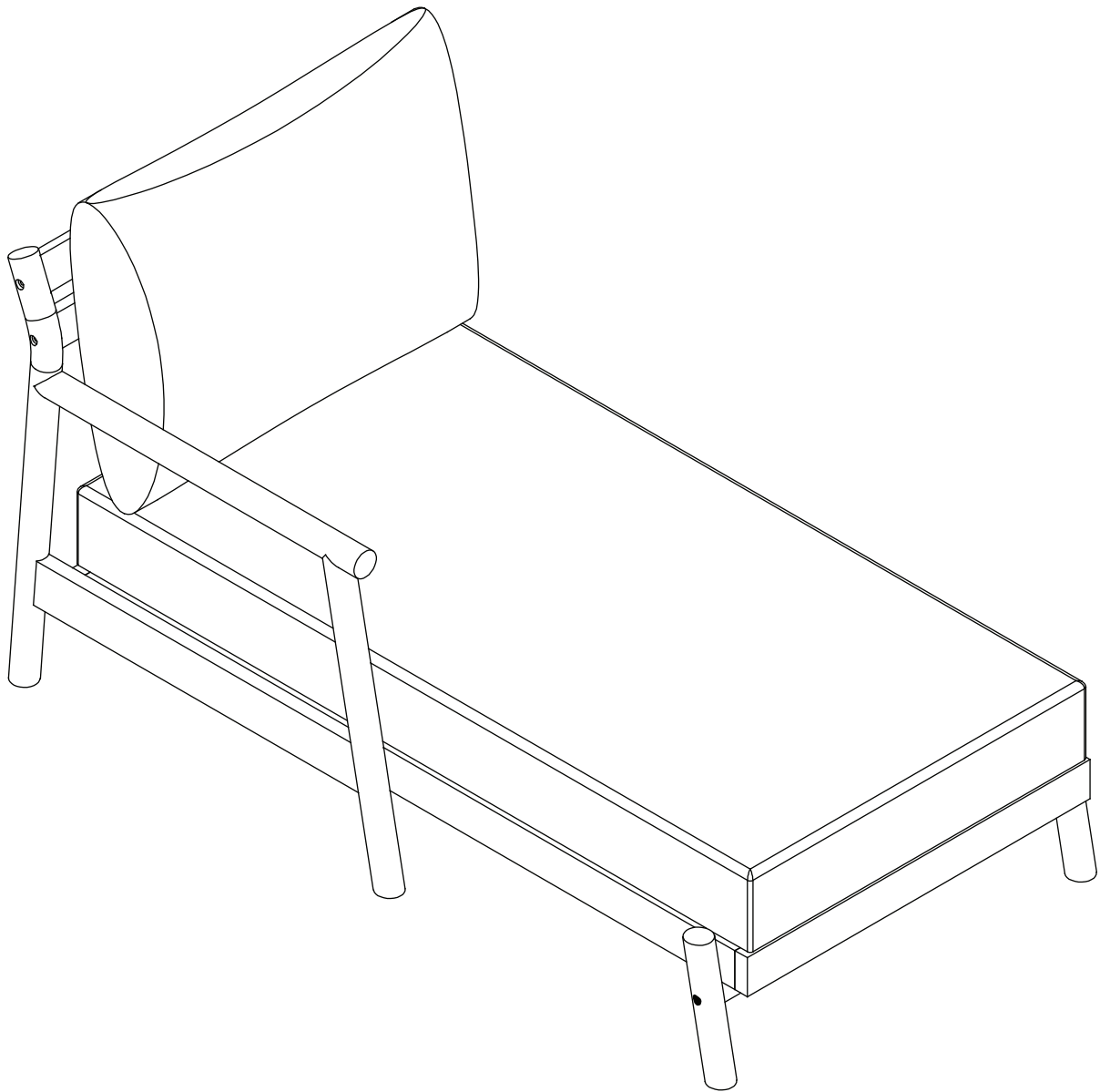
CAUTION: You must read these Assembly Instructions before you proceed.

Care & Maintenance

- ⊘  • Not for commercial use. For residential use only.
- ⊘  • Do not put hot items directly on furniture surface.
- ⊘  • Do not clean furniture with harsh cleansers or polish.
- ✓  • To obtain the longest lifespan of your outdoor products, minimizing exposure to direct sunlight is recommended.
- ⊘  • Children should not climb or jump on the furniture.
- ⊘  • Do not write on furniture without a padded barrier to protect the surface.
- ⊘  • To obtain the longest lifespan of your outdoor products, avoid extended and lengthy exposure to rain, snow, and direct sunshine. Whenever possible cover the product and /or place under patio or awnings.
- ⊘  • Stains may be removed with mild soap solution and damp cloth.
- ✓  • Dust and pick-up spills using a clean, non-colored, lint-free cloth.





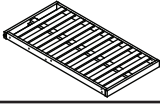
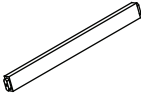
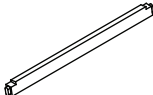
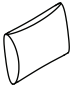
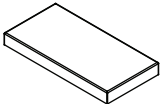
Please look under the Seat Panel for hardware pack.

Lounger



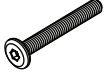



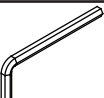


CAUTION: This Lounger is NOT a TOY
Keep your child/children at bay during the assembly process.
Whenever moving/lifting the Left Arm Loveseat and to prevent damage to the
Left Arm Loveseat, two adults are needed to execute these actions.

Parts List

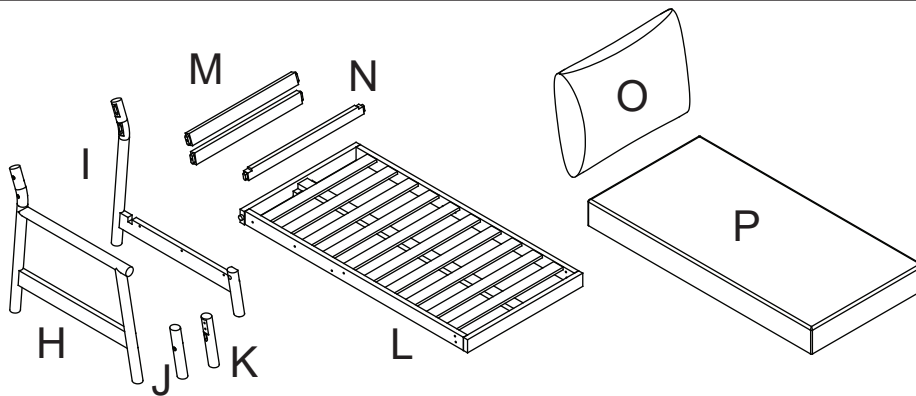
| Label | Picture | Description | QTY |
|-------|---|-----------------|-----|
| H |  | Left Leg Panel | 1 |
| I |  | Right Leg Panel | 1 |
| J |  | Left Leg | 1 |
| K |  | Right Leg | 1 |
| L |  | Seat Panel | 1 |
| M |  | Backrest Bar | 2 |
| N |  | Support Leg Bar | 1 |
| O |  | Back Cushion | 1 |
| P |  | Seat Cushion | 1 |

Hardware

| Label | Picture | Description | QTY |
|-------|---|-----------------|-----|
| ⑧ |  | Bolt (M6x40mm) | 9 |
| ⑨ |  | Bolt (M6x35mm) | 4 |
| ⑩ |  | Bolt (M6x45mm) | 2 |
| ⑪ |  | Screw (M7x80mm) | 7 |
| ⑫ |  | Thick Washer | 2 |
| ⑬ |  | Thin Washer | 3 |
| ⑭ |  | Allen Wrench | 2 |

Assembly Preparation

Before Beginning Assembly:



| | | |
|----|--|----|
| 8 | | x9 |
| 9 | | x4 |
| 10 | | x2 |
| 11 | | x7 |
| 12 | | x2 |
| 13 | | x3 |
| 14 | | x2 |



● Read instructions, cover to cover.



● Have 2 adults on hand for assembly.



● Do not assemble on flooring or carpet.



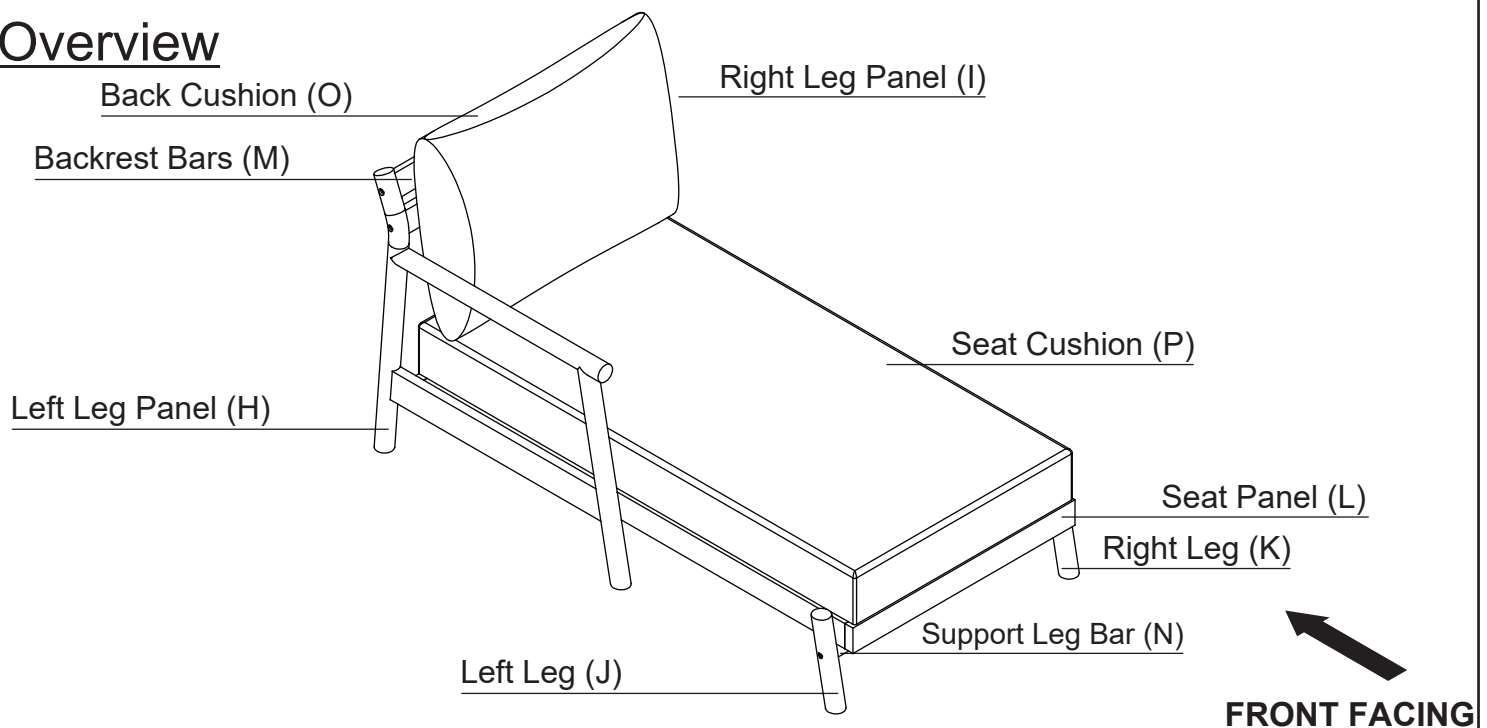
● Assemble on a clean non-marring surface (packing foam).



● Save all packaging until finished.

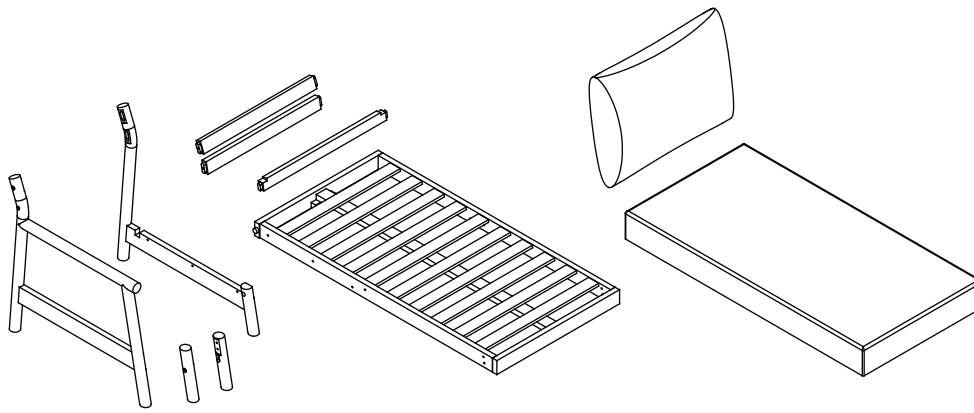
Assembly Steps

Overview



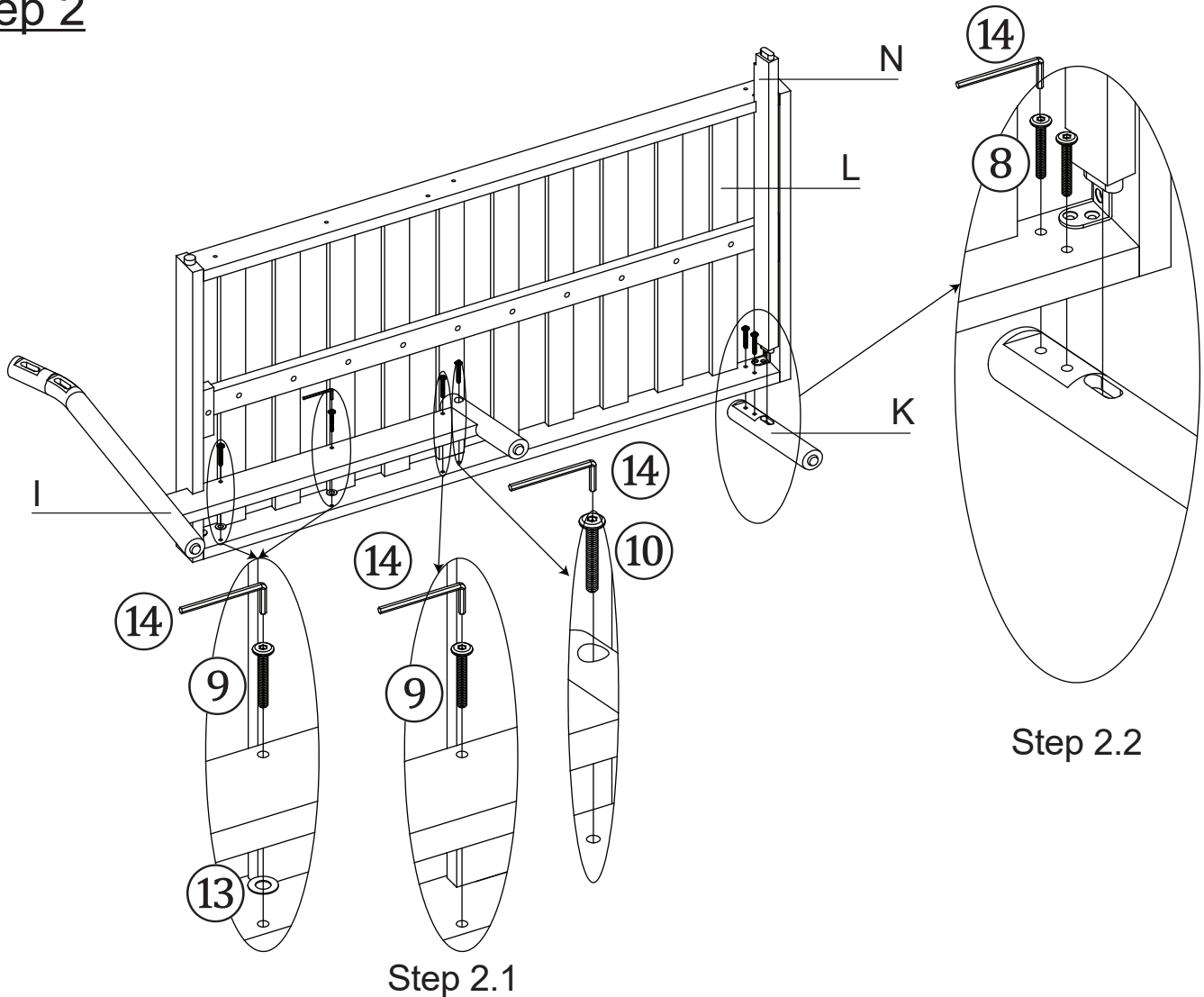
This Lounger has multiple parts and may require up to 30 minutes to assemble. To give you an overview of the Lounger parts, the above picture is to help you put the various parts into perspective. Please read through the instructions below to familiarise yourself with the parts and steps before assembly.

Step 1



Unpack and place all parts on a clean, non-marring surface.

Step 2



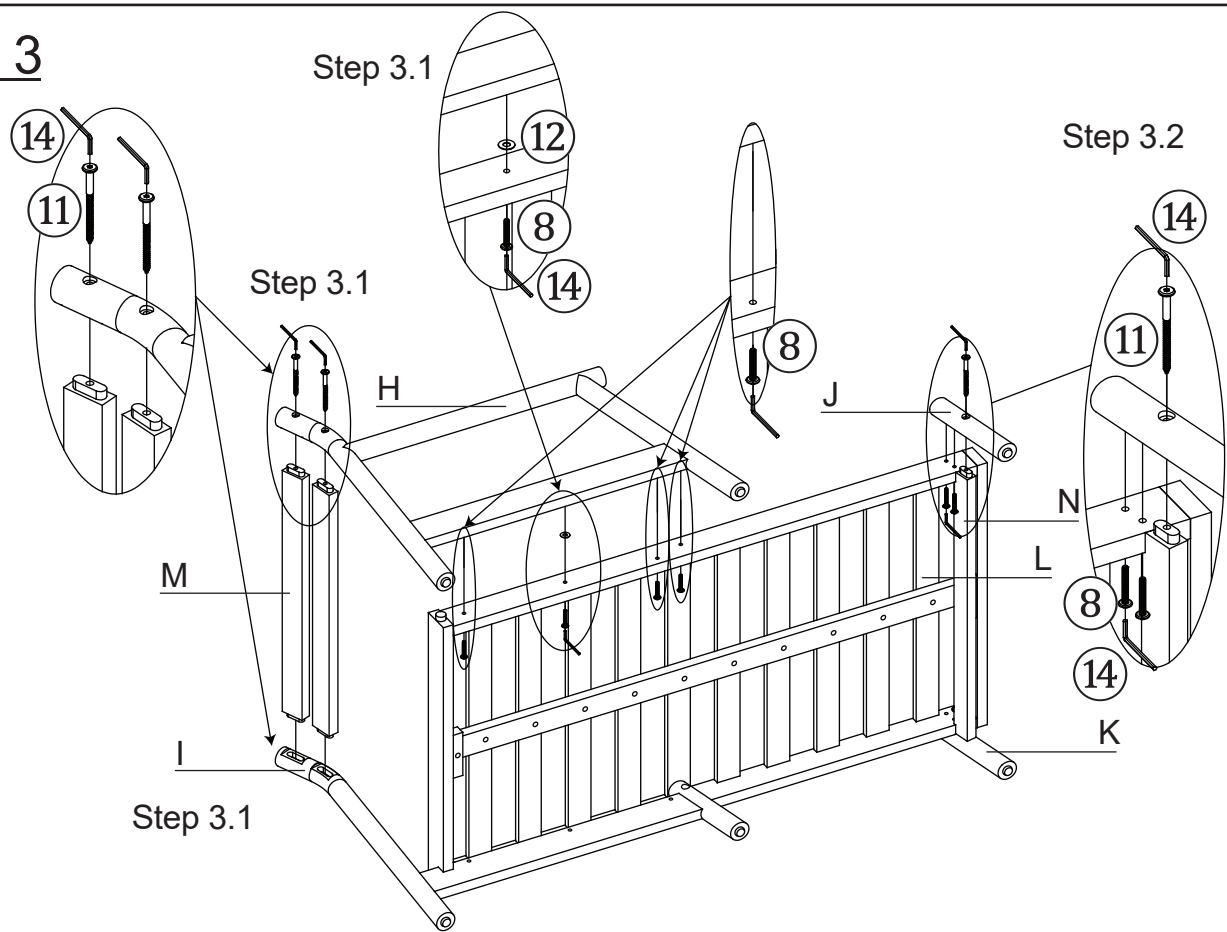
Place the Right Leg Panel (I) facedown on a clean, non-marring surface as shown above. With assistance from your adult partner:

2.1. Attach the Seat Panel (L) to the Right Leg Panel (I) using Bolts (9), Bolts (10), Thin Washer (13) with the Allen Wrench (14) as shown above.

2.2. Attach the Right Leg (K), Support Leg Bar (N) to the Seat Panel (L) using Bolts (8) with the Allen Wrench (14) as shown above.

Do not fully tighten the Bolts.

Step 3

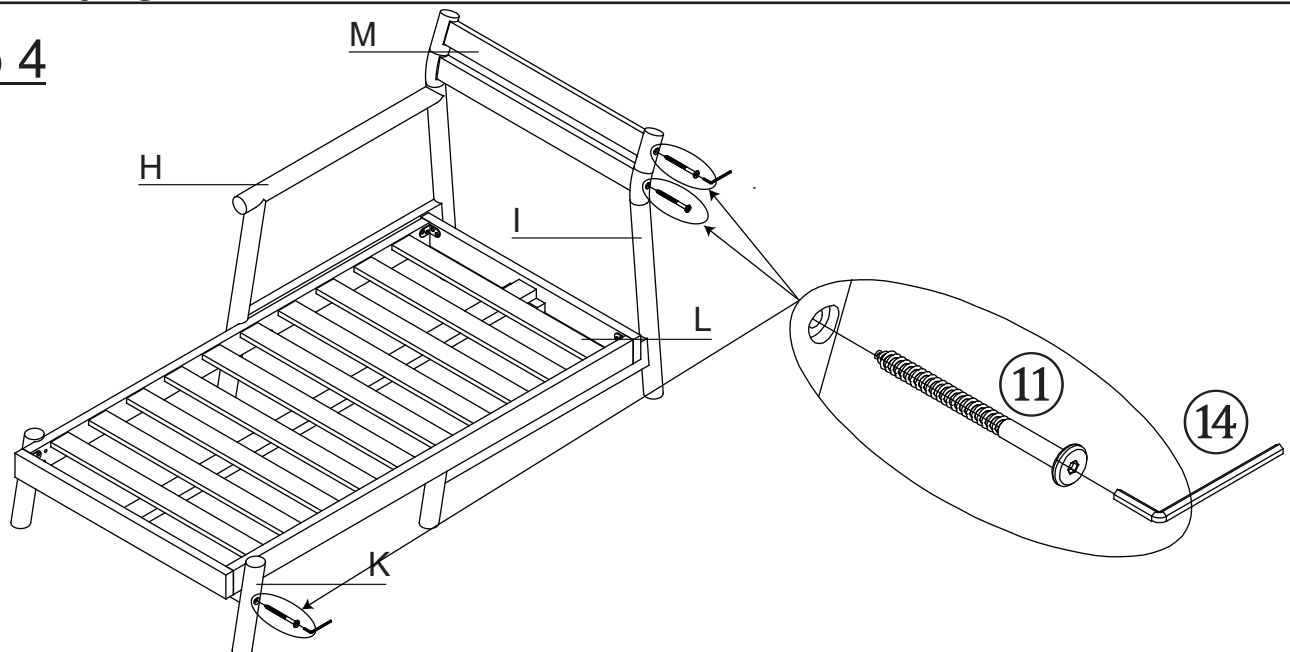


3.1. Attach the Left Leg Panel (H), Backrest Bars (M) to the Seat Panel (L), Right Leg Panel (I) using Bolts (8), Screw (11), Thick Washer (12) with the Allen Wrench (14) as shown above.

3.2 Attach the Left Leg (J) to the Seat Panel (L), Support Leg Bar (N) using Bolts (8), Screw (11) with the Allen Wrench (14) as shown above.

Do not fully tighten the Bolts and Screws.

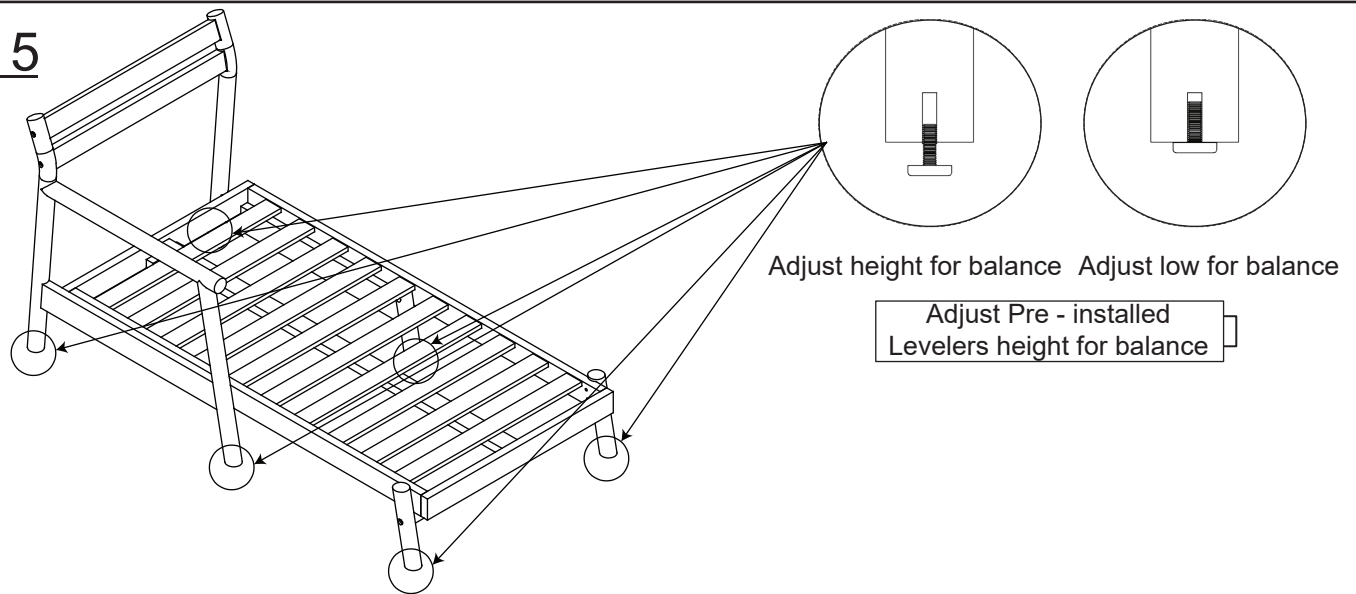
Step 4



Turn the Lounger right side up. Secure the Backrest Bars (M), Right Leg Panel (I), Right Leg (K) using Screw (11) with the Allen Wrench (14) as shown above.

Do not fully tighten the Screws.

Step 5



Turn the Lounger right side up.

Place the Lounger on a **LEVEL SURFACE**.

Inspect it and make sure all parts are adequately connected.

Press on the Lounger with both hands and apply pressure towards the floor.

This would help the Lounger reach full alignment at all joints.

Check for wobbles.

In a sequential manner, proceed to tighten all bolts/screws.

CAUTION: When tightening these bolts/screws, tighten sequentially.

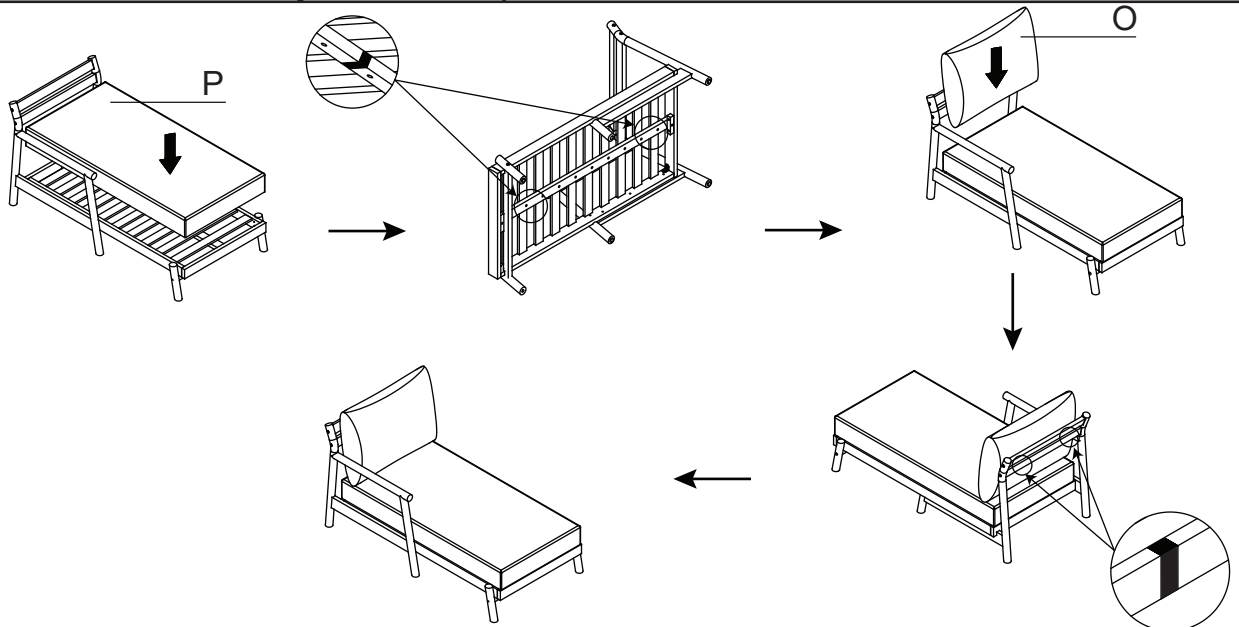
DO NOT tighten any bolts/screws fully and then towards the next one.

This would cause the frame to warp.

If there is still wobbles, loosen the bolts/screws and execute this same process.

Ensure all bolts/screws are fully locked into position.

Step 6



Place the Seat Cushion (P) onto the Lounger and affix the magic tape straps around the Lounger as shown above.

Then place the Back Cushion (O) onto the Lounger and affix the magic tape straps around the Lounger as shown above.

Your Lounger is ready to be used.

This Lounger can only be used on a flat, level surface.

Questions & Answers about Proposition 65

- What is Proposition 65?

Proposition 65 requires businesses to provide warnings to Californians about significant exposures to chemicals that cause cancer, birth defects or other reproductive harm. These chemicals can be in the products that Californians purchase, in their homes or workplaces, or that are released into the environment. By requiring that this information be provided, Proposition 65 enables Californians to make informed decisions about their exposures to these chemicals. Proposition 65 also prohibits California businesses from knowingly discharging significant amounts of listed chemicals into sources of drinking water.

Proposition 65 requires California to publish a list of chemicals known to cause cancer, birth defects or other reproductive harm. This list, which must be updated at least once a year, has grown to include approximately 900 chemicals since it was first published in 1987.

- What types of chemicals are on the Proposition 65 list?

The list contains a wide range of naturally occurring and synthetic chemicals that include additives or ingredients in pesticides, common household products, food, drugs, dyes, or solvents. Listed chemicals may also be used in manufacturing and construction, or they may be byproducts of chemical processes, such as motor vehicle exhaust.

- What does a warning mean?

If a warning is placed on a product label or posted or distributed at a workplace, a business, or in rental housing, the business issuing the warning is aware or believes that it is exposing individuals to one or more listed chemicals.

By law, a warning must be given for listed chemicals unless the exposure is low enough to pose no significant risk of cancer or is significantly below levels observed to cause birth defects or other reproductive harm.

- Where can I get more information on Proposition 65?

If you have specific questions on the administration or implementation of Proposition 65, you can contact OEHHA's Proposition 65 program at P65.Questions@oehha.ca.gov, or by phone at (916) 445-6900.