

Model 1407

OPERATIONS MANUAL

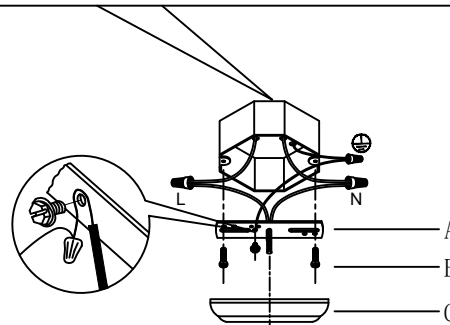


OPERATIONS
MANUAL

Assembly & Installation Instructions

Step 5

5A. Lock the crossbar to the junction box of the ceiling by using 2 pcs of 5/32 screws in the accessories bag.
 5B. Connect the wires. The hot/positive wire (+) has an "L" label on it. The other one is the negative wire (-). And the bare cooper is the ground wire.
 5C. Fix the cross bar to the wall with Crossbar Screws



Step 2

A circle should be wall with Crossbar Screws installed with a long one, a short one, a long one and a short one until it is finished.

Step 4

Lock together

Step 3

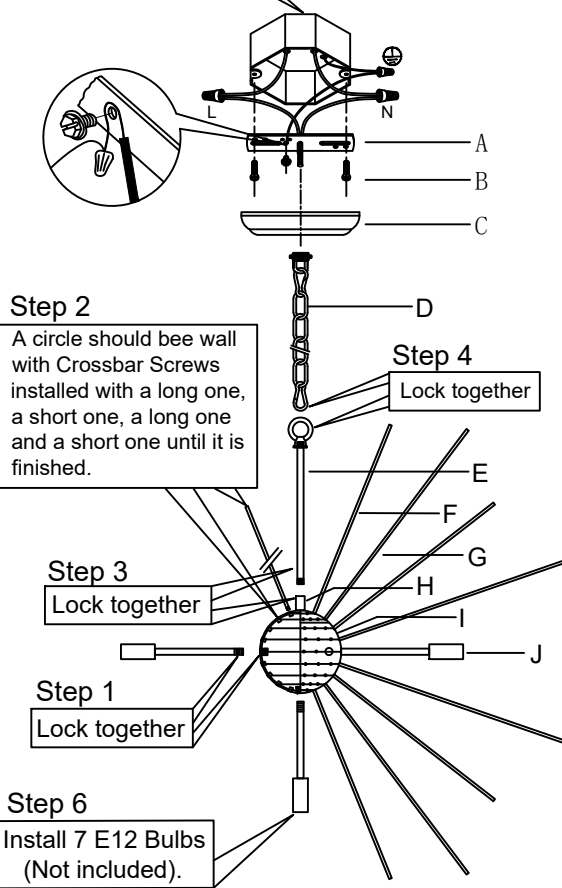
Lock together

Step 1

Lock together

Step 6

Install 7 E12 Bulbs (Not included).



Applicable bulbtype:
 B10、CA10
 (Not included)



(Rated 110V/60Hz, bulb 60W maximum.)

WIRE CONNECTION DIAGRAM

Wires meeting safety standards are required to connect the electrical circuit.

CAUTION: Risk of fire



Please read all instructions carefully. Before you proceed to install, make sure that the power supply is turned off and remains off until installation is completed.

PARTS INCLUDED

Code	Part Description	QTY
A	Mounting Bracket	1PCS
B	Mounting Screw	2PCS
C	Canopy	1PCS
D	Sling Chain	1PCS
E	Sling Rod	1PCS
F	Short Iron Bar	52PCS
G	Long Iron Bar	52PCS
H	Connecting Pipe	1PCS
I	Chandelier Body	1PCS
J	Lamp Holder Group	7PCS

Warning: If any special control devices are used with this fixture, follow the instructions carefully to assure full compliance with N.E.C.requirements. If there are any questions, contact a qualified electric contractor.

Warning: California Residents Proposition 65 This product contains lead, a chemical known to the state of California to cause cancer and birth defects or other reproductive harm. Do not place the product in your mouth. Wash your hands after handling this product.

Caution: It is highly recommended to get an electrician to install this light. Please make sure to turn the electricity off at the main circuit breaker before beginning installation. All glass is fragile. Use care when handling glass component(s) and/or lamp(s).