

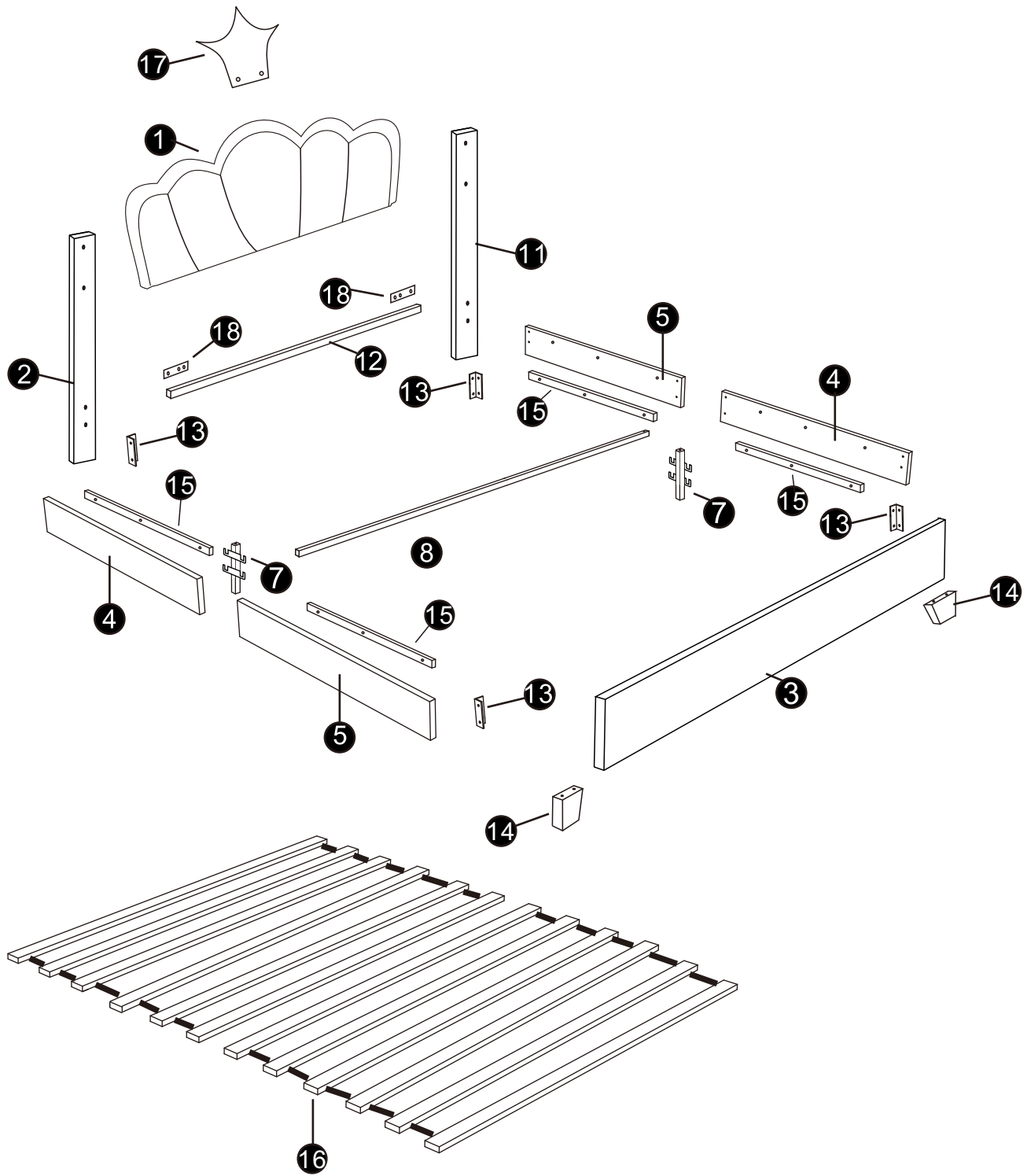
# ASSEMBLY INSTRUCTIONS

# INSTRUCTIONS DE MONTAGE



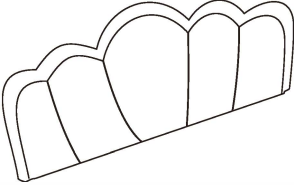

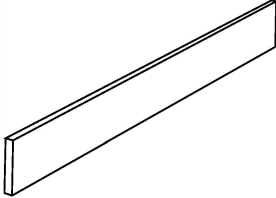
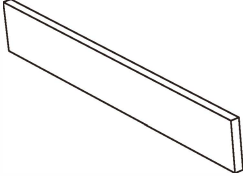
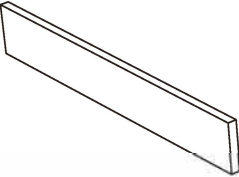



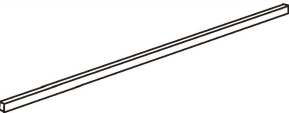

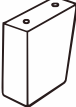
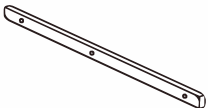
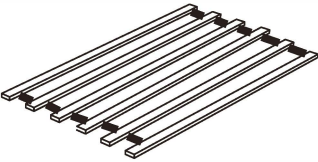

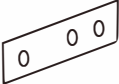
# ASSEMBLY INSTRUCTIONS

# INSTRUCTIONS DE MONTAGE



# ASSEMBLY INSTRUCTIONS INSTRUCTIONS DE MONTAGE

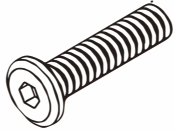
## PARTS LIST LISTE DE PIÈCES

<b>1</b> x1 	<b>2</b> x1 	<b>3</b> x1 	<b>4</b> x2 
<b>5</b> x2 	<b>7</b> x2 	<b>8</b> x1 	<b>11</b> x1 
<b>12</b> x1 	<b>13</b> x4 	<b>14</b> x2 	<b>15</b> x4 
<b>16</b> x2 	<b>17</b> x1 	<b>18</b> x2 	

# ASSEMBLY INSTRUCTIONS INSTRUCTIONS DE MONTAGE

## HARDWARE LIST LISTE DU MATÉRIEL

A:x 20



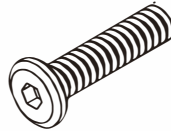
M8\*40mm

B:x 30



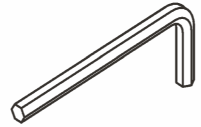
M8\*20mm

C:x 4



M6\*70mm

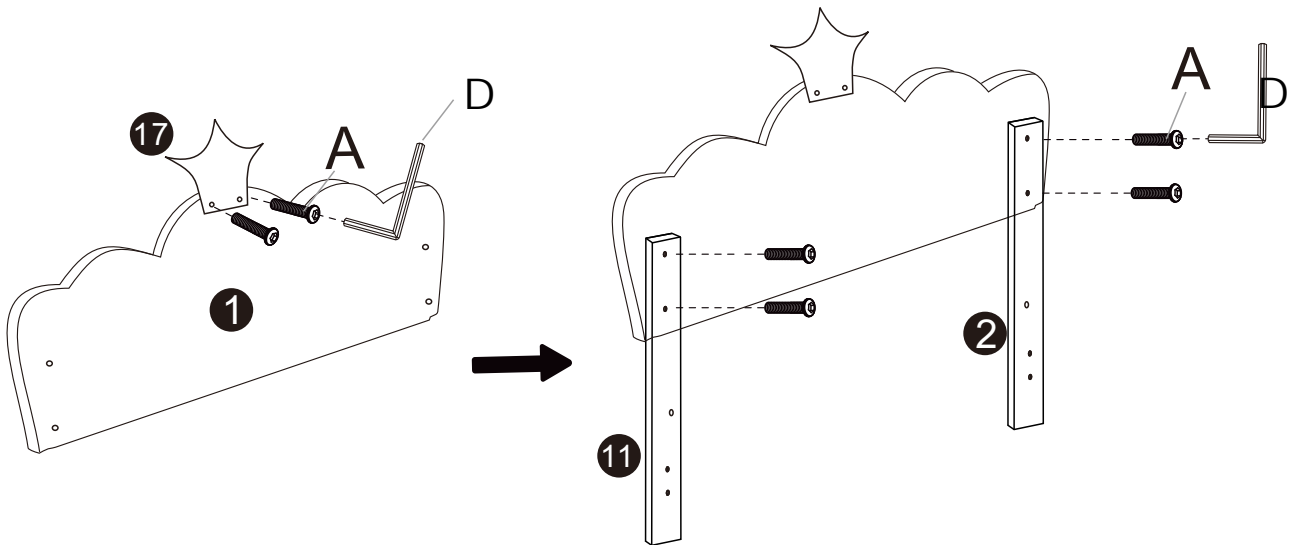
D:x 1



Allen Key

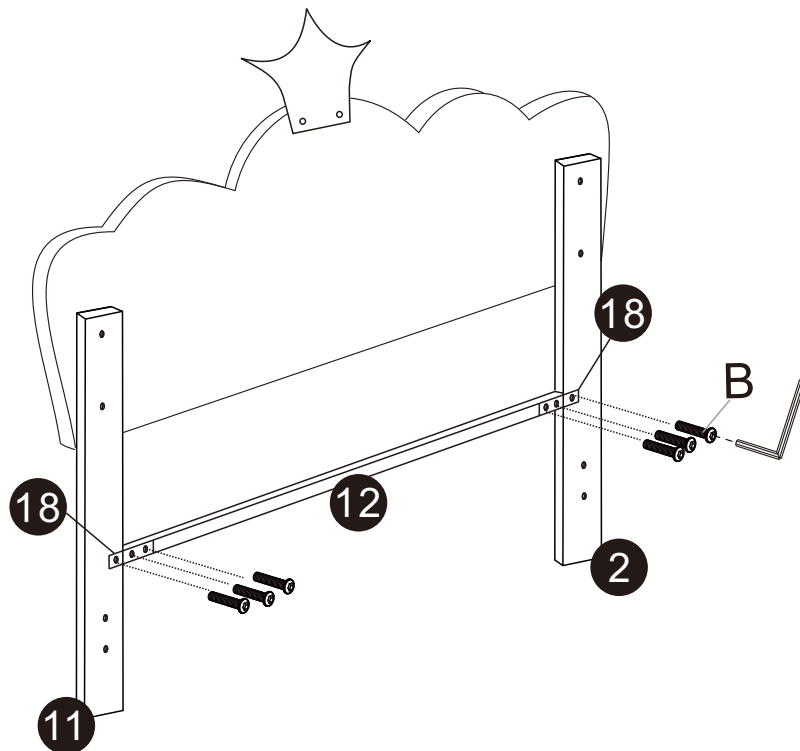
# ASSEMBLY INSTRUCTIONS INSTRUCTIONS DE MONTAGE

## STEP 1 ÉTAPE 1



A  M8\*40mm 6

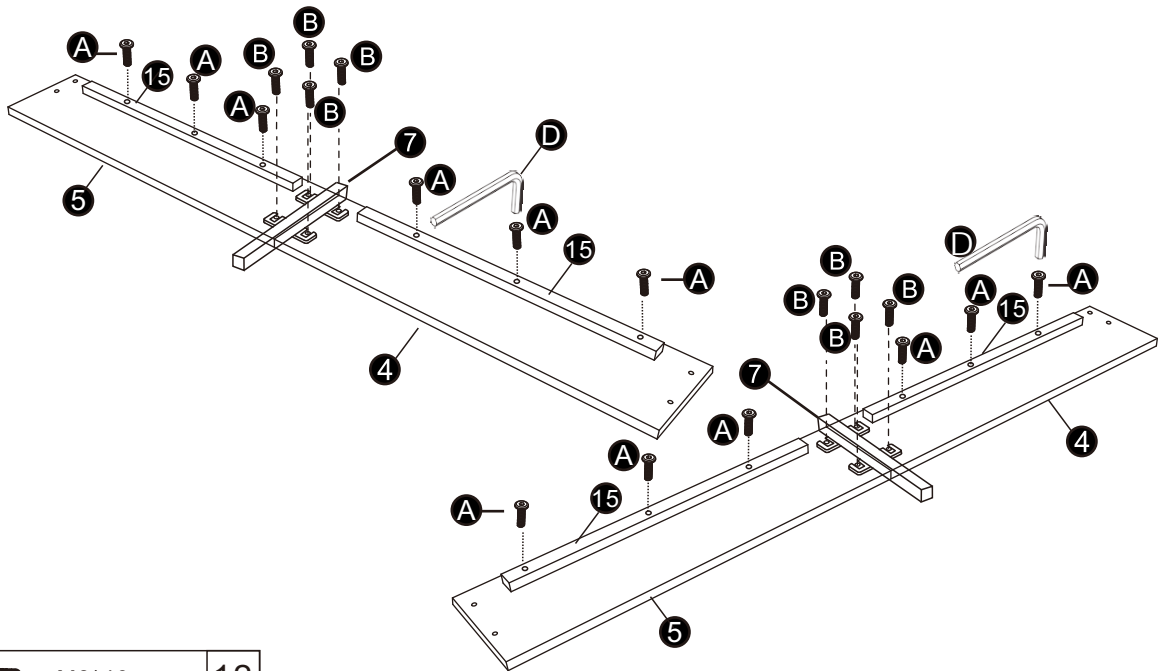
## STEP 2 ÉTAPE 2




B  M8\*20mm 6

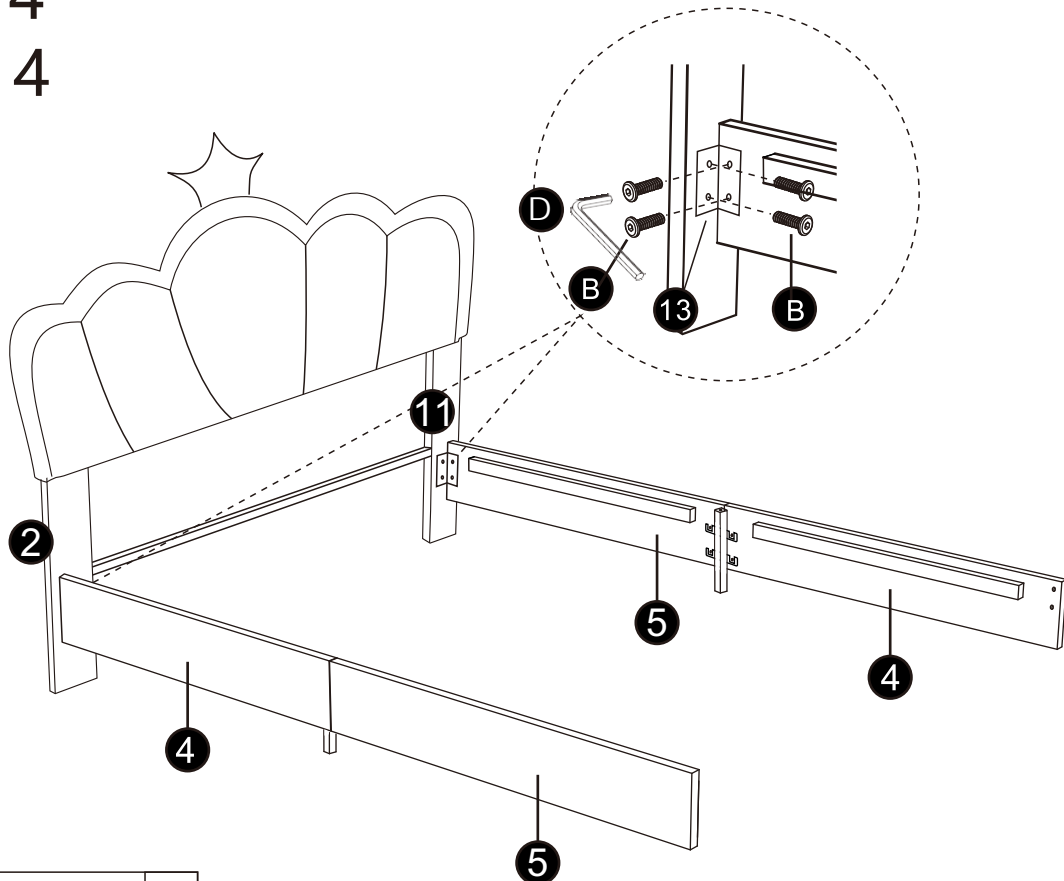
# ASSEMBLY INSTRUCTIONS INSTRUCTIONS DE MONTAGE

## STEP 3 ÉTAPE 3



A		M8*40mm	12
B		M8*20mm	8

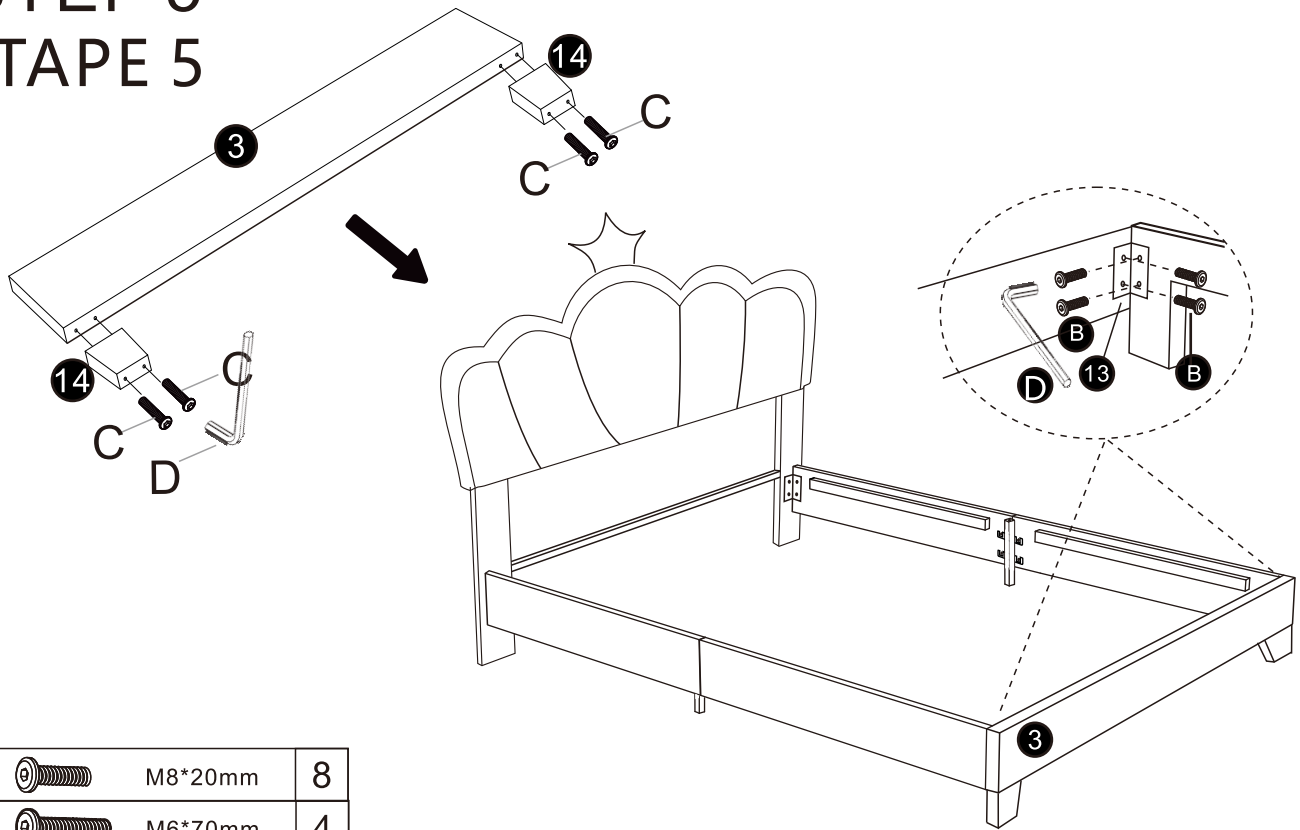
## STEP 4 ÉTAPE 4




B		M8*20mm	8
---	---	---------	---

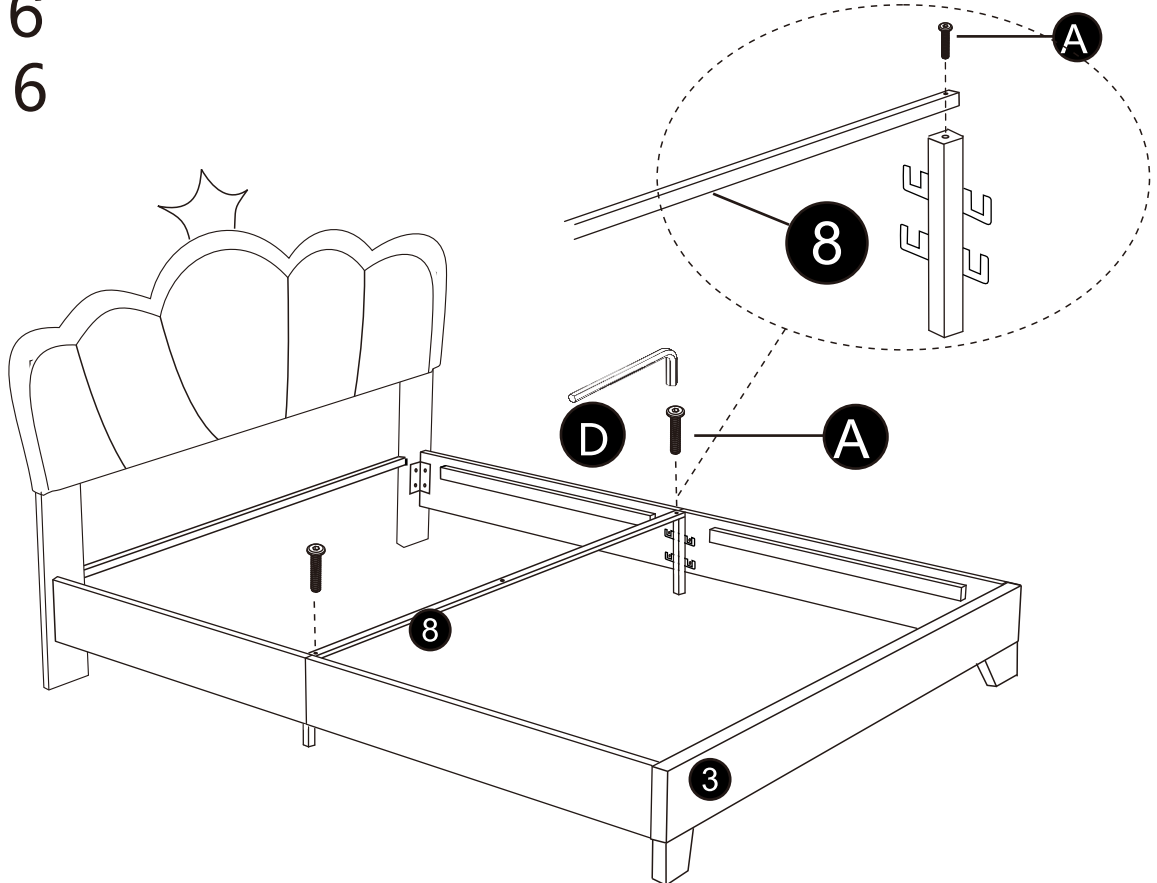
# ASSEMBLY INSTRUCTIONS INSTRUCTIONS DE MONTAGE

## STEP 5 ÉTAPE 5



B		M8*20mm	8
C		M6*70mm	4

## STEP 6 ÉTAPE 6



A		M8*40mm	2
---	---	---------	---

# ASSEMBLY INSTRUCTIONS INSTRUCTIONS DE MONTAGE

## STEP 7 ÉTAPE 7

