

Assembly Instruction

A9120

SAFETY PRECAUTIONS:

- 1.TURN OFF ELECTRICAL POWER BEFORE STARTING INSTALLATION OF LIGHT FIXTURE.DO NOT REMOVE INSULATION FROM FIXTURE
- 2.THIS PRODUCT MUST BE INSTALLED IN ACCORDANCE WITH THE APPLICABLE INSTALLATION CODE BY A PERSON FAMILIAR WITH THE CONSTRUCTION AND OPERATION OF THE PRODUCT AND THE HAZARDS INVOLVED
- 3.CAUTION-RISK OF FIRE.CONSULT A QUALIFIED ELECTRICIAN TO ENSURE CORRECT BRANCH CIRCUIT CONDUCTOR.

NOTE:product May Not Look Exactly As Shown In Figures.

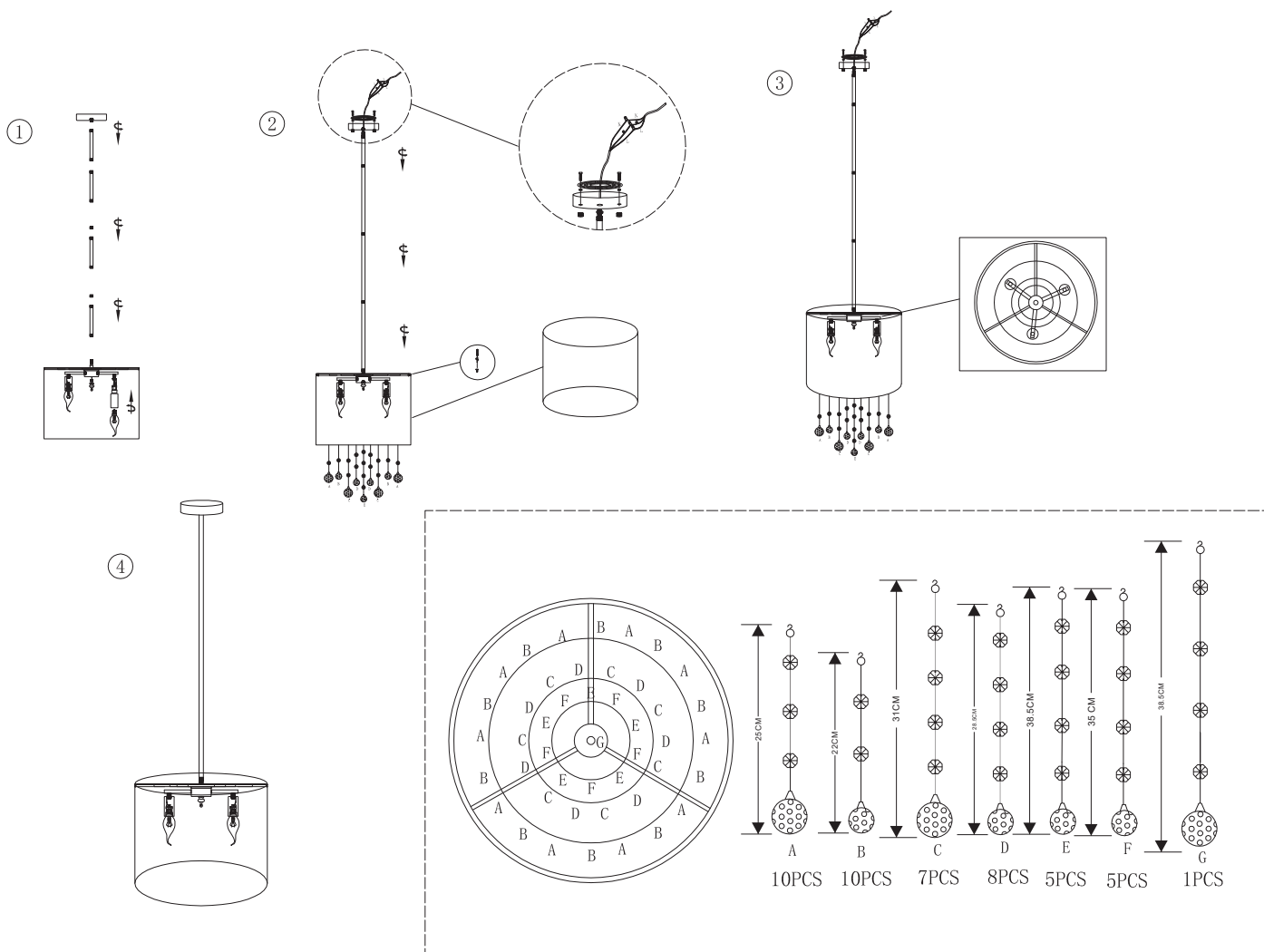


"INSTRUCTIONS PERTAINING TO RISK OF FIRE OR INJURY TO PERSONS"

"READ ALL INSTRUCTIONS"

"IMPORTANT SAFETY INSTRUCTIONS"

"SAVE THESE INSTRUCTIONS"



This lighting chain contains recyclable materials. Do not dispose this product as unsorted municipal waste. Please contact your local municipality for the nearest collection point.