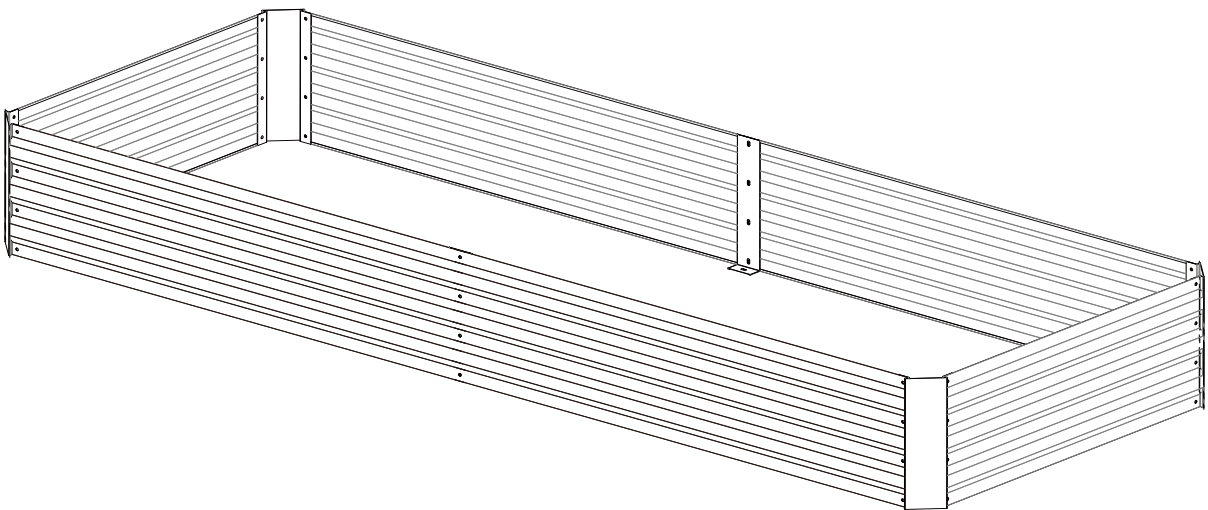
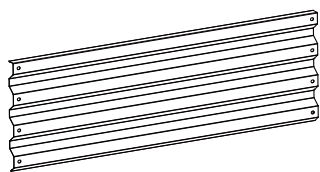


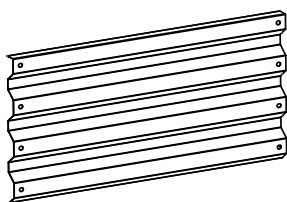
# Installation & Assembly



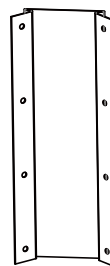
**P1** x 4



**P2** x 2



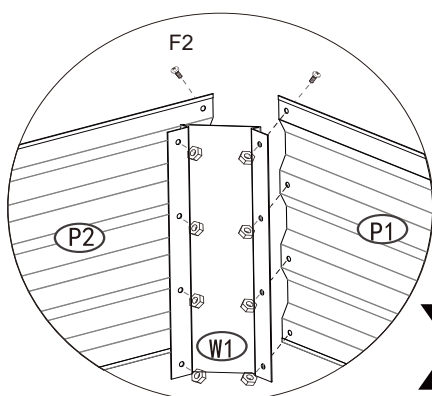
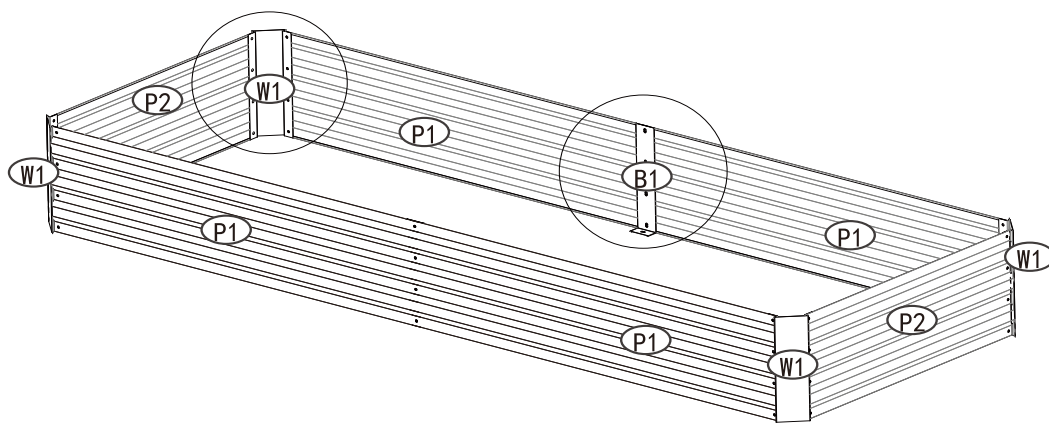
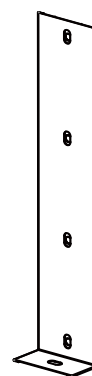
**W1** x 4



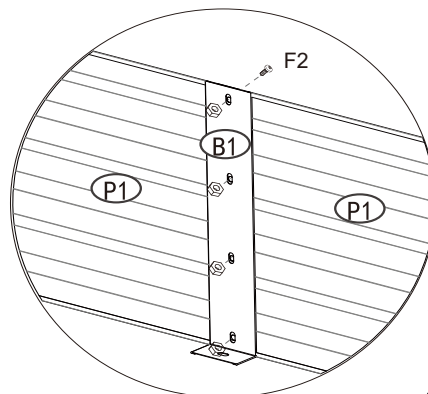
**F2** x 40



**B1** x 2



**x4**



**x2**