

## Trouble shooting:

missing / Wrong / Broken parts and installation issues



Send email with your question, pic and order NO



Respond within 24 hours

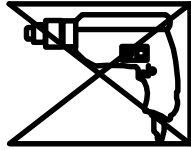
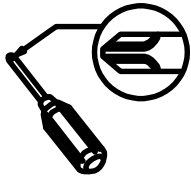


Issue resolved

## YOU NEED

### 1. Tools required

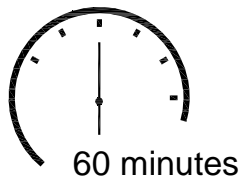
A Phillips head screw driver is required for the assembly of this product. (not included)  
Electric tool should not be used to assemble this product.



### 2. Two people are needed



### 3. Installation takes 60 minutes



## Tips!



1. Check all the components & screws are intact before assembling .
2. If you notice any pieces are missing or damaged please do not assemble and contact us immediately .
3. **Please send an email with you order number and issues, we will respond within 24 hours.**

## IMPORTANT SAFETY INFORMATION

- Please carefully read the following instructions and caution warnings before assembling the product.
- Following this guide will ensure that you install, use and maintain the product properly.
- Please keep this installation and user manual/instructions for future reference in case you need to disassemble the product.
- Never allow children to climb onto the product. Ensure that you have special safety measures when children are around on their own.
- Be sure to check that all parts of the product are intact after you open the package.
- Do not assemble if you notice serious damage such as cracks or bends.
- During installation, please use work gloves for hand safety.
- Please assemble the unit on carpeted floor or the flat cardboard box to avoid scratching the surface or your floor while assembling on the floor.
- To assemble, please use the complimentary installation tools (Phillips screwdriver). Pay more attention to the direction of components at each steps.
- It is recommended that two people work together to assemble the product.

## RETURN POLICY

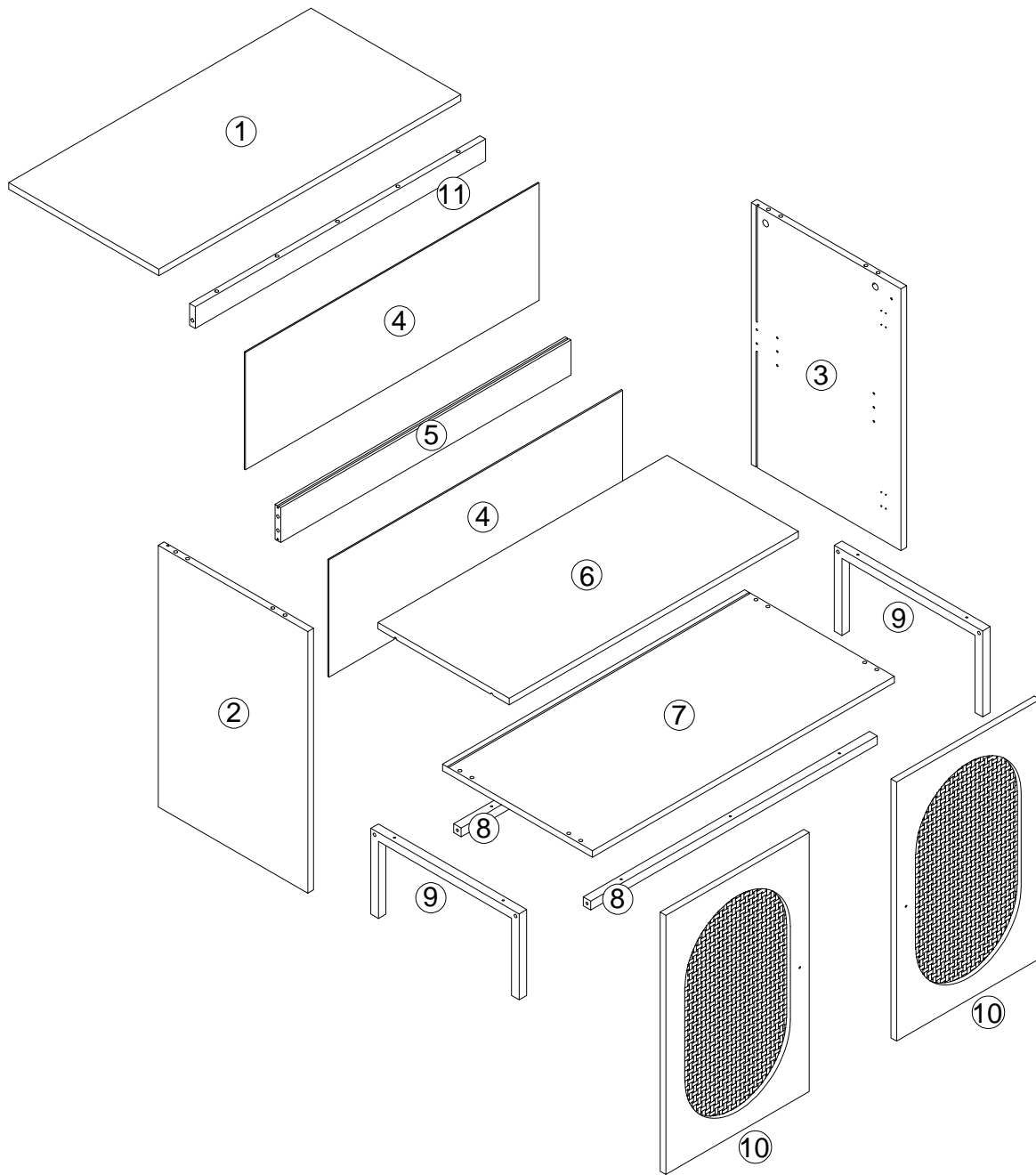
- Please contact us directly within 30 days after receiving.
- Ensure the product is in a good condition with the original box and all original certificates of purchase, manuals, and accessories attached.

## HOW TO MAINTAIN YOUR PRODUCT

- Check the screws of the product are not loose from regular use.
- Do not use sharp instruments, rubbing alcohol, corrosive chemicals, or abrasive cleaners to clean the item.


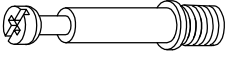
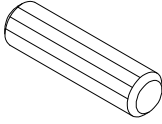

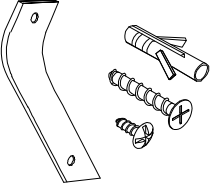

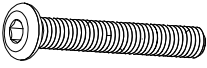
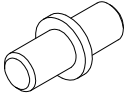
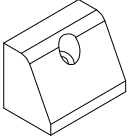

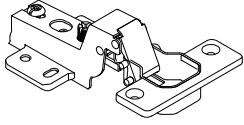

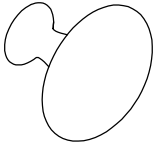
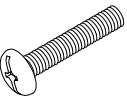
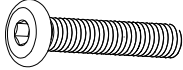

## COMPONENT PARTS

Please check that you have all the parts listed below



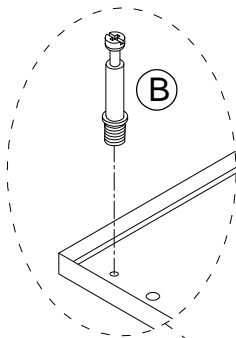
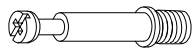
1	Top panel	X1	7	Bottom panel	X1
2	Left outer wall	X1	8	Bottom frame front/back rail	X2
3	Right outer wall	X1	9	Leg	X2
4	Back Board	X2	10	Door panel	X2
5	Rear stiffener plate	X1	11	Front tie	X1
6	Shelf panel	X1			

Please check that you have all the parts listed below

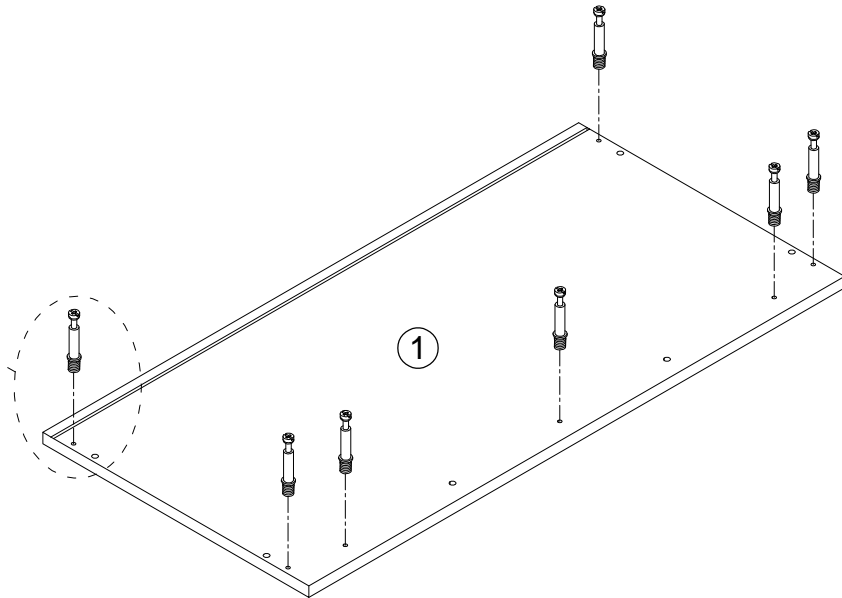
<p>Ⓐ x 13+2pcs</p> 	<p>Ⓑ x 13+2pcs</p> 	<p>Ⓒ x 10+2pcs</p> 	<p>Ⓓ x 4+1pc</p>  <p>Ø7*38mm</p>
<p>Ⓔ x 2pcs</p> 	<p>Ⓕ x 1pc</p> 	<p>Ⓖ x 4+1pc</p>  <p>M6*50mm</p>	<p>Ⓗ x 4+1pc</p> 
<p>Ⓙ x 8+2pcs</p> 	<p>Ⓚ x 8+2pcs</p>  <p>Ø6*Ø3*16mm</p>	<p>Ⓛ x 4pcs</p> 	<p>Ⓜ x 24+2pcs</p>  <p>Ø8*Ø4*14mm</p>
<p>Ⓝ x 2pcs</p> 	<p>Ⓞ x 2pcs</p>  <p>20mm</p>	<p>Ⓟ x 10+2pcs</p>  <p>M6*30mm</p>	<p>Ⓠ x 1pc</p> 

1

(B) x 7pcs

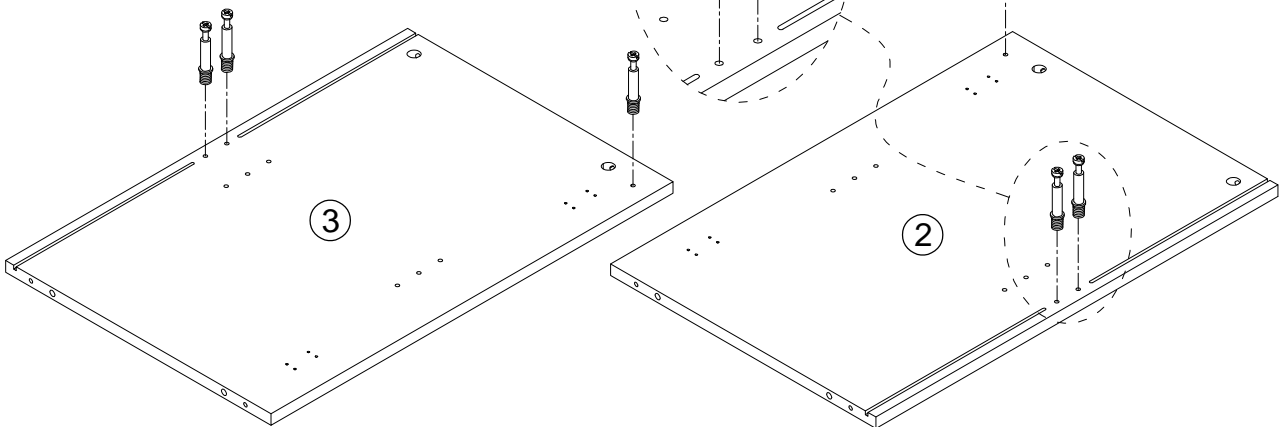
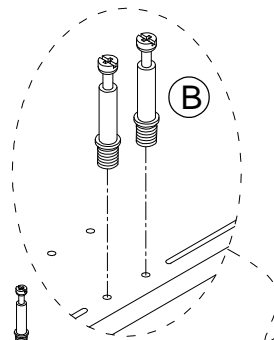
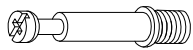


Insert the screw (B) into the board (1) as shown.



2

(B) x 6pcs



Insert the screw (B) into the board (2)(3) as shown.

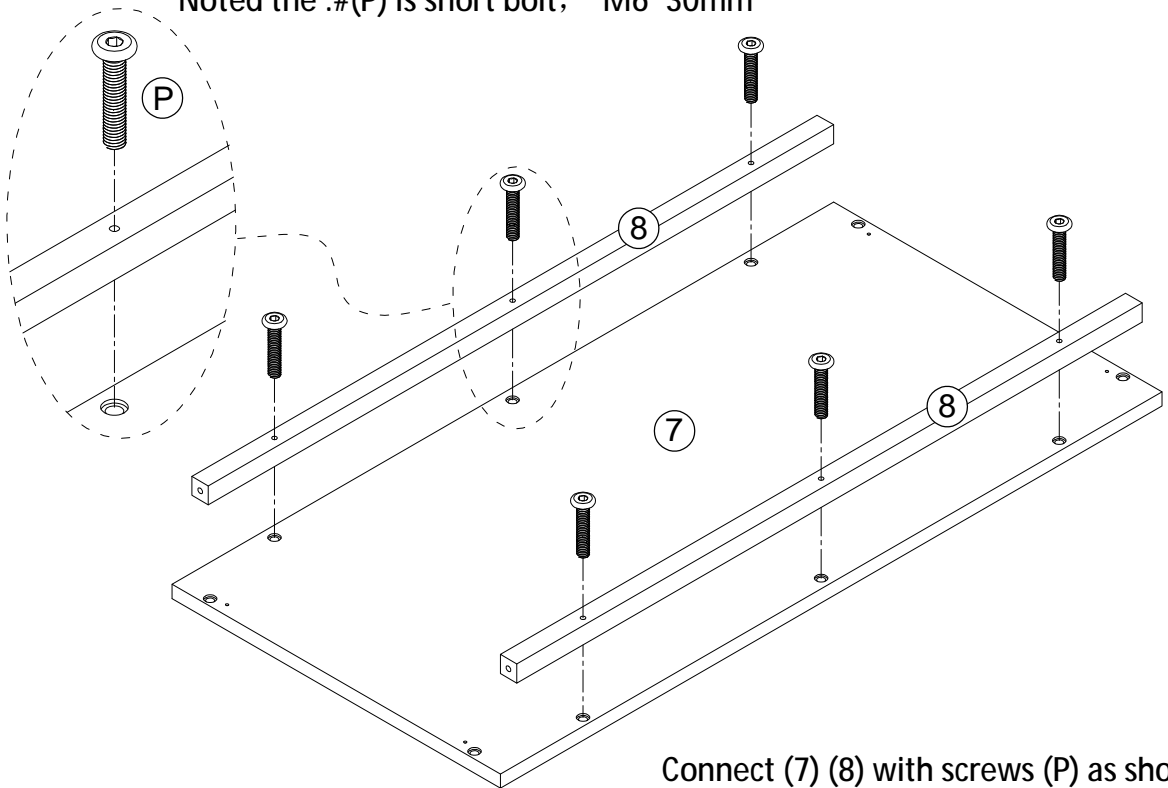
3

(P) x 6pcs



M6\*30mm

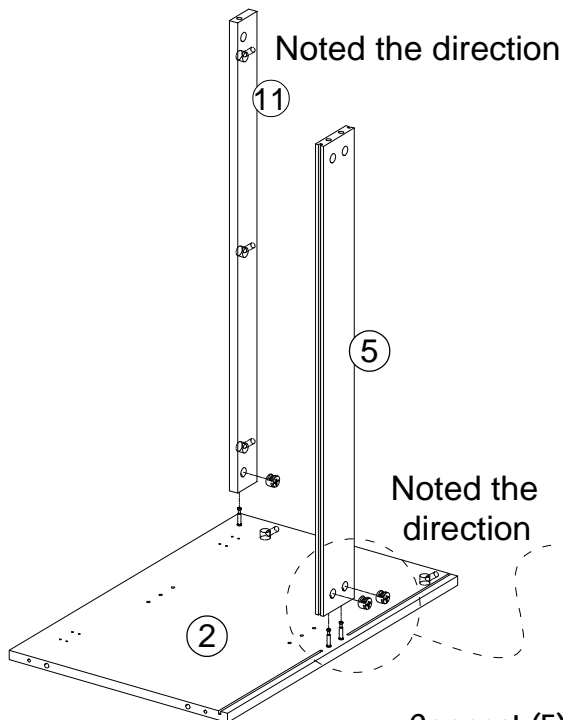
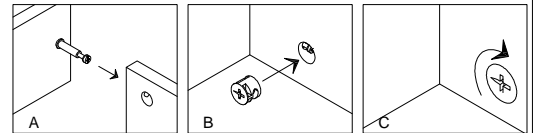
Noted the :#(P) is short bolt, M6\*30mm



Connect (7) (8) with screws (P) as shown.

4

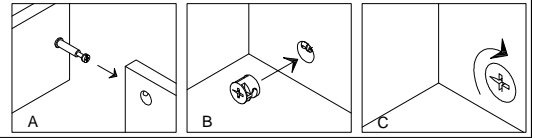
(A) x 3pcs



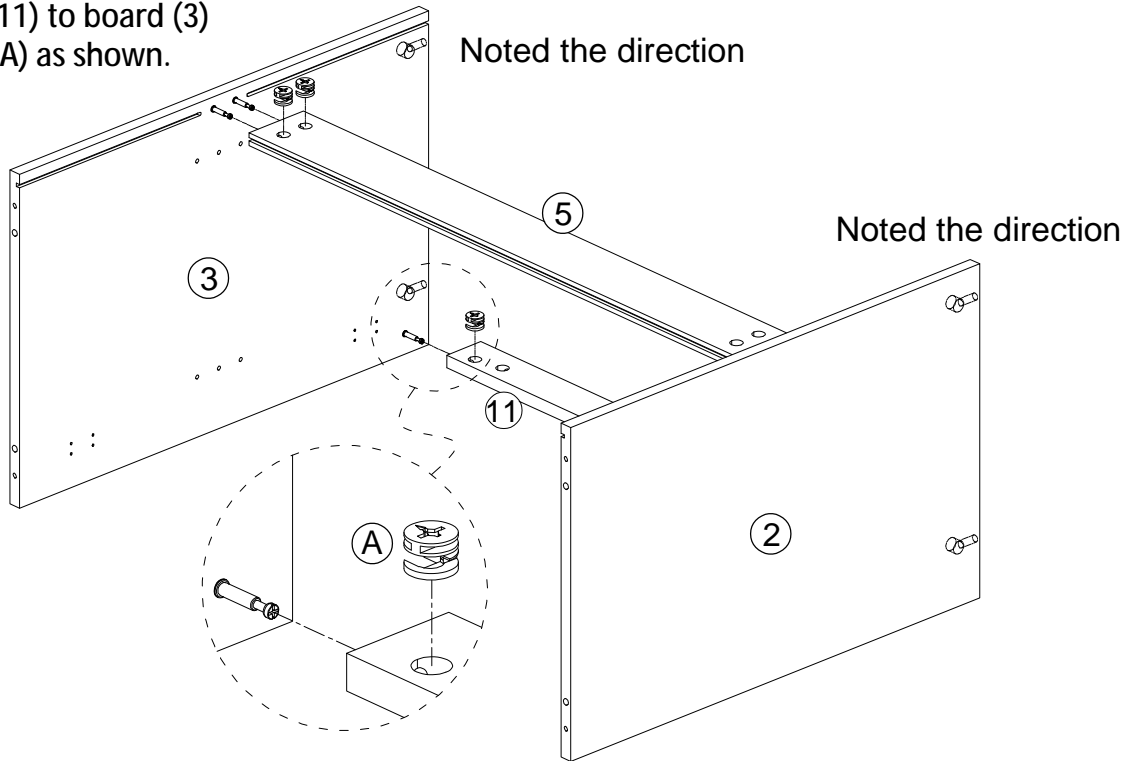
Connect (5) (11) to board (2) with screws (A) as shown.

5

(A) x 3pcs

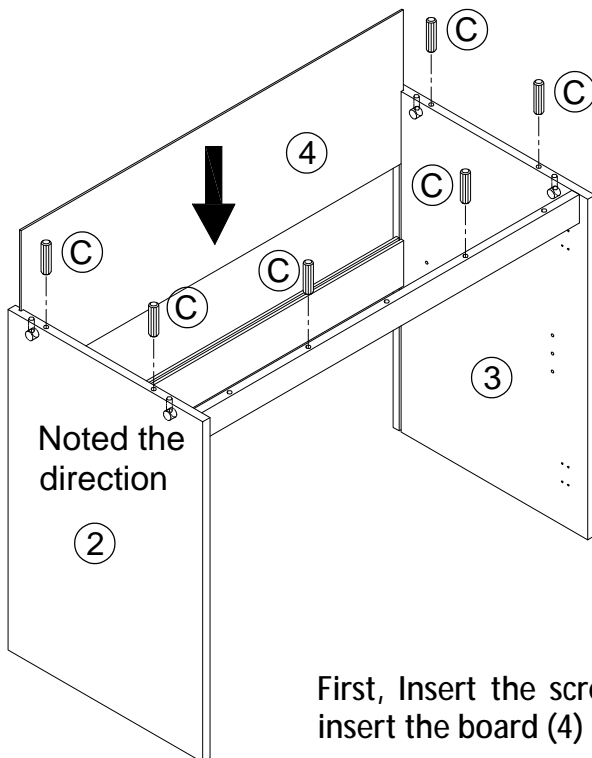


Connect (5) (11) to board (3) with screws (A) as shown.



6

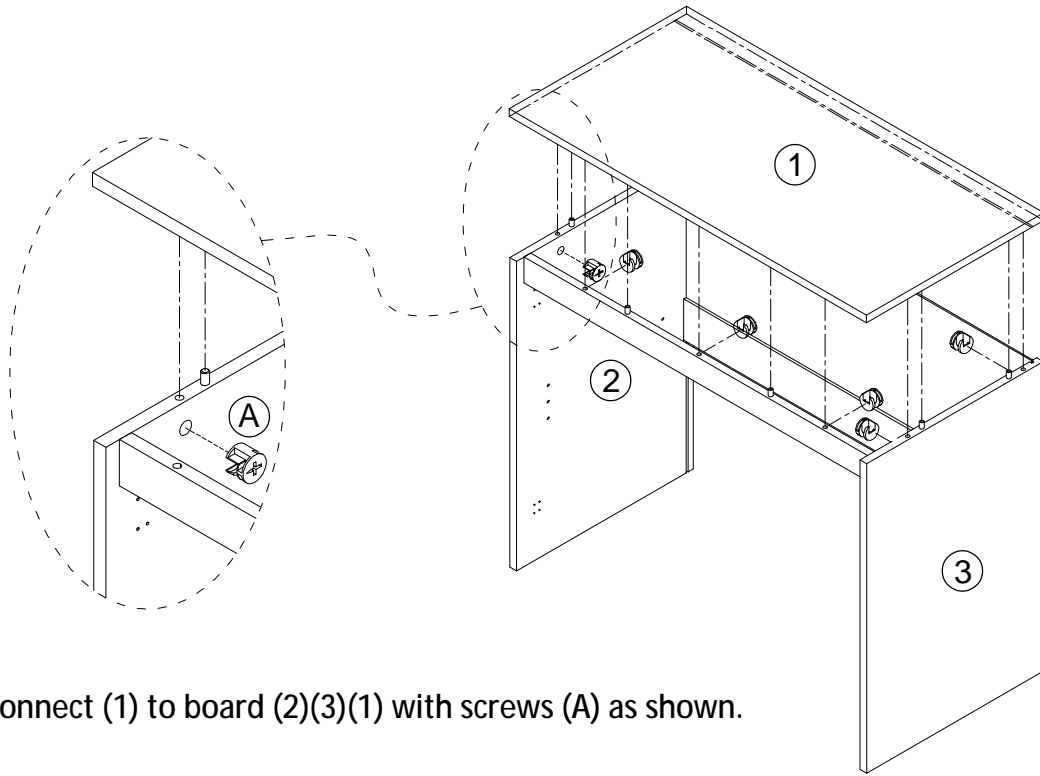
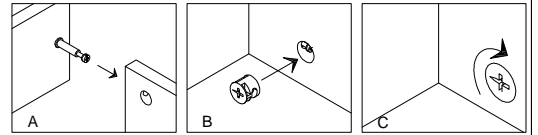
(C) x 6pcs



First, Insert the screw (C) into the board (2)(3)(11), then insert the board (4) into the (2) (3) (5) as shown.

7

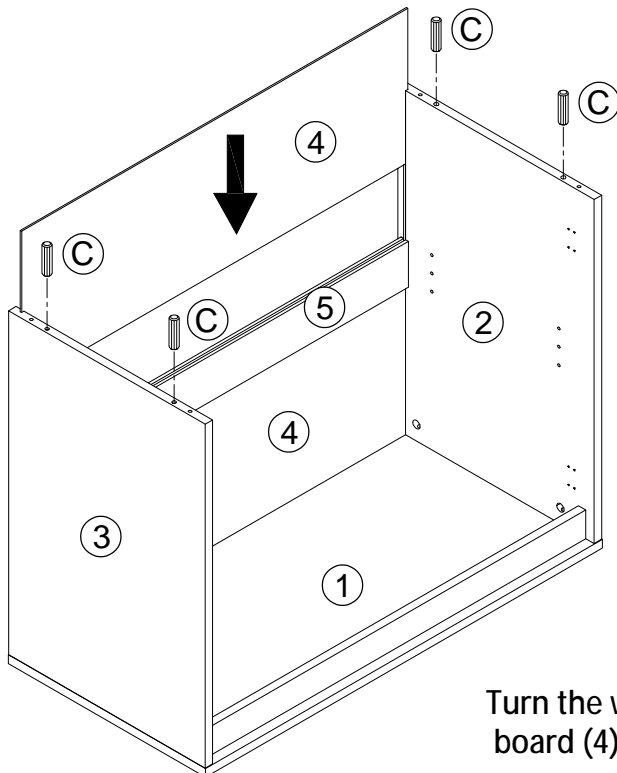
(A) x 7pcs



Connect (1) to board (2)(3)(1) with screws (A) as shown.

8

(C) x 4pcs



Turn the whole upside down and insert the other board (4) into the board (2) (3) (5) as shown.

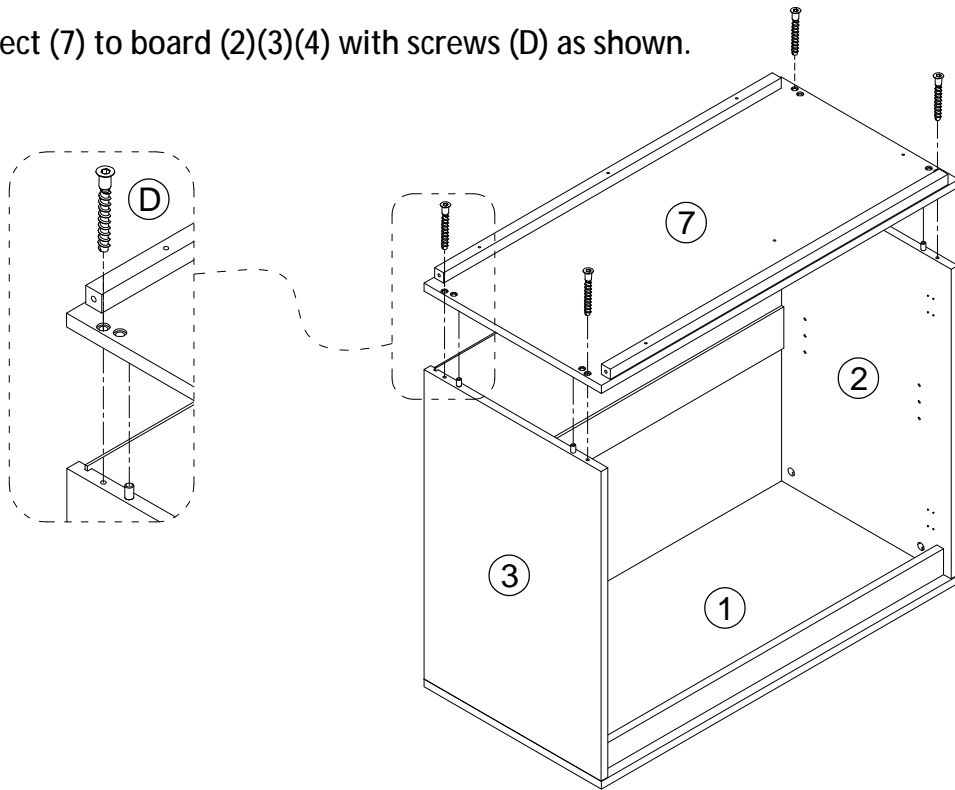
9

(D) x 4pcs



Ø7\*38mm

Connect (7) to board (2)(3)(4) with screws (D) as shown.



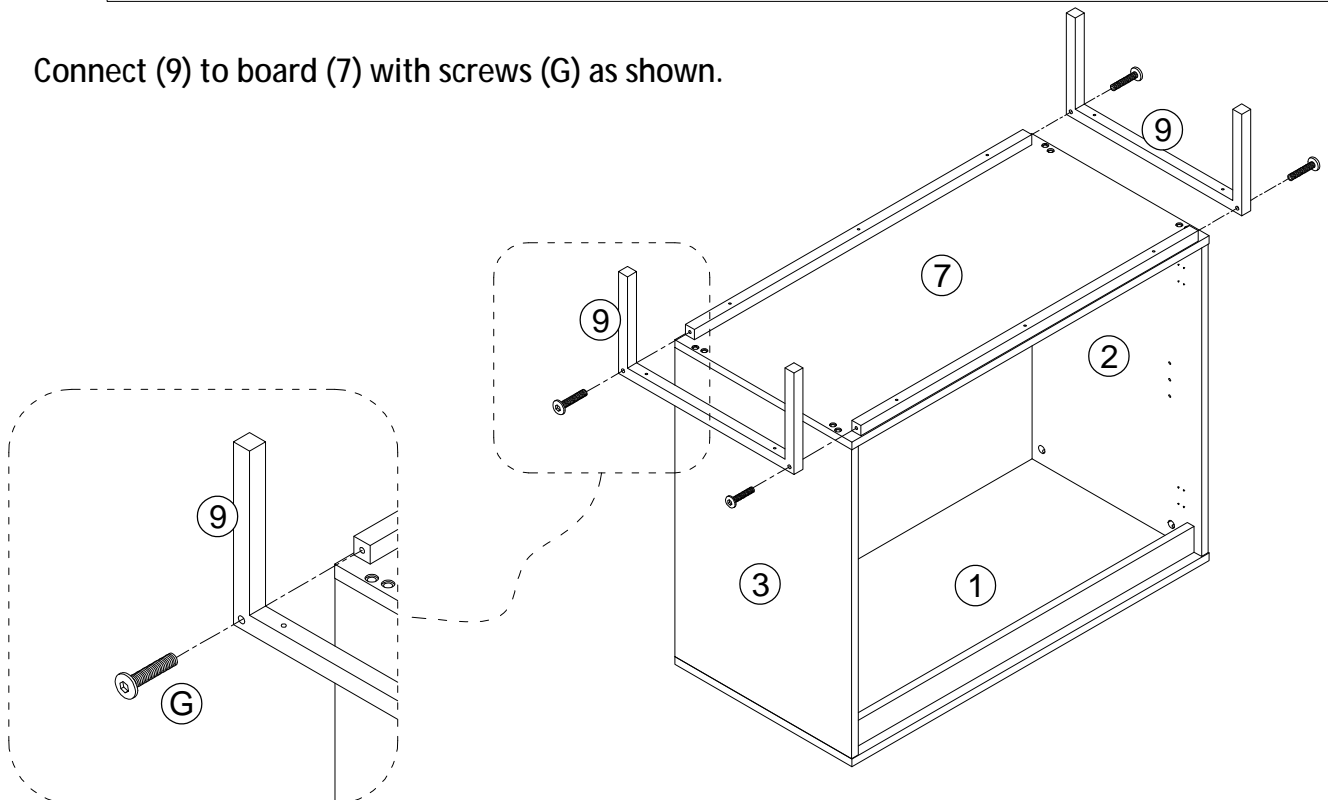
10

(G) x 4pcs



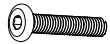
M6\*50mm

Connect (9) to board (7) with screws (G) as shown.



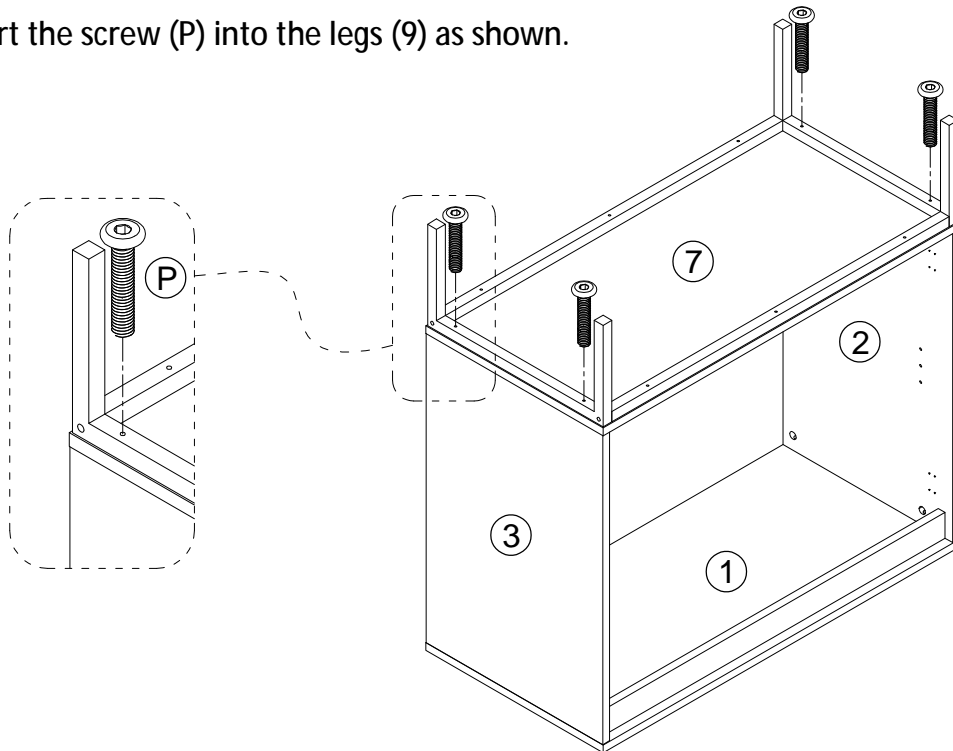
11

(P) x 4pcs



M6\*30mm

Insert the screw (P) into the legs (9) as shown.



12

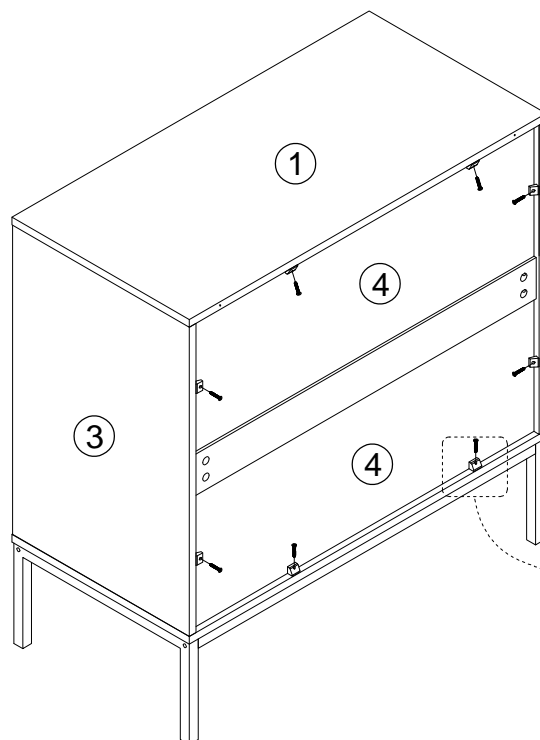
(J) x 8pcs



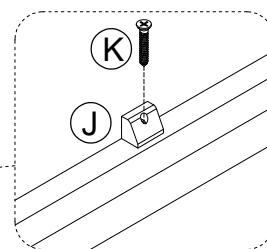
(K) x 8pcs



Ø6\*Ø3\*16mm

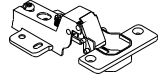


Noted the hardware #J and #K need to assembled, otherwise the table will unstably.



# 13

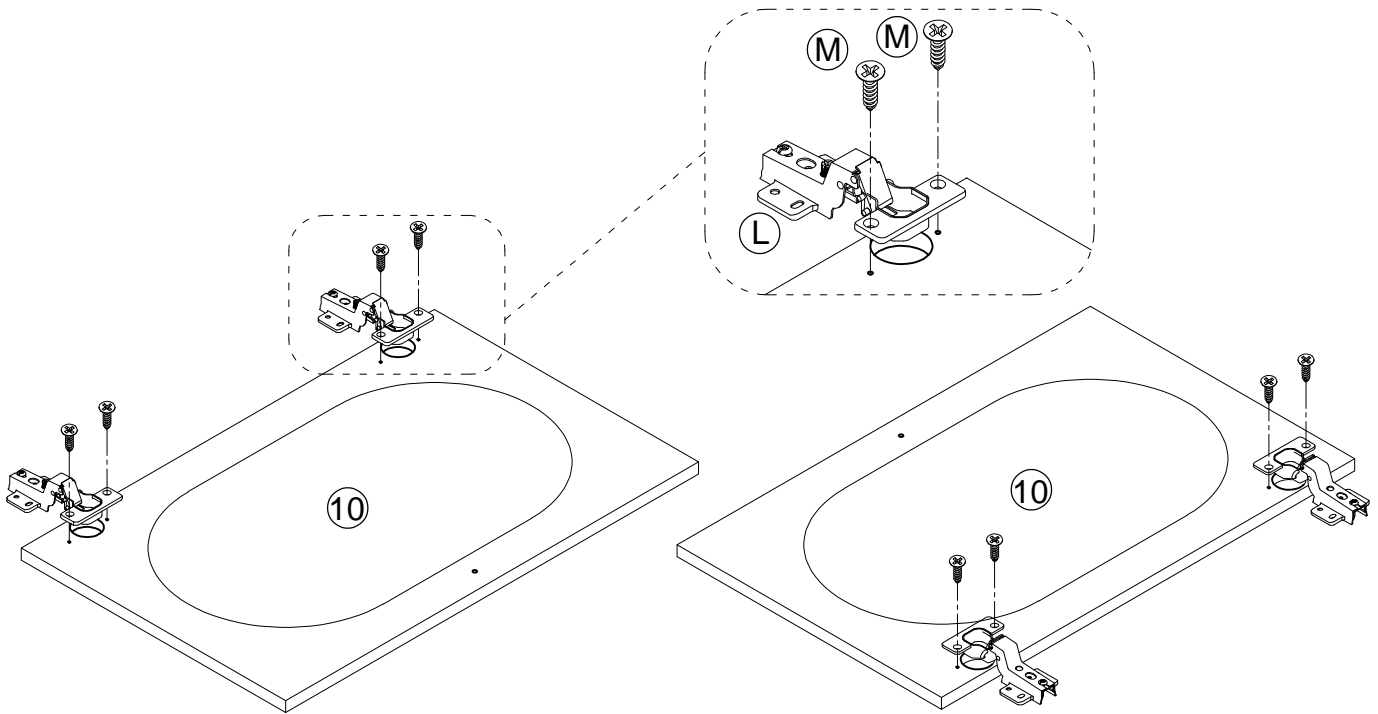
(L) x 4pcs



(M) x 8pcs



Ø8\*Ø4\*14mm



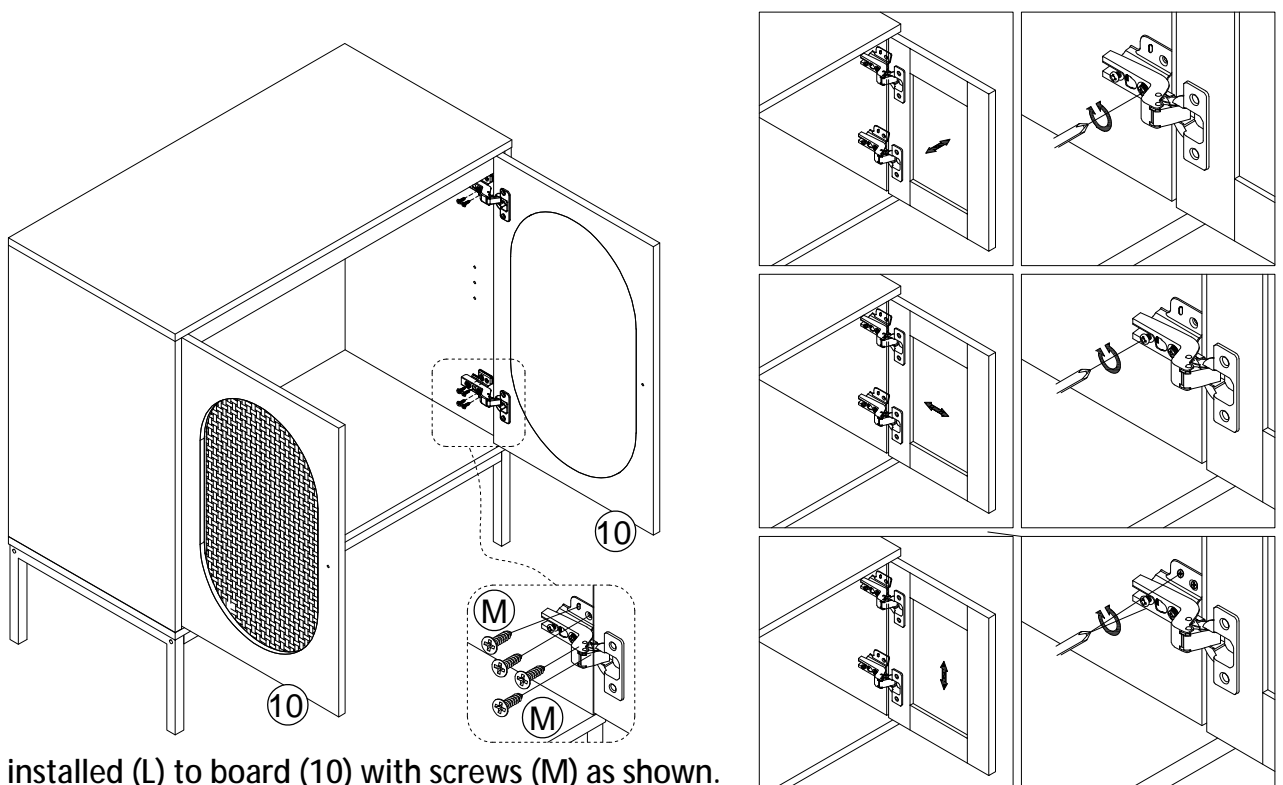
Connect (L) to board (10) with screws (M) as shown.

# 14

(M) x 16pcs



Ø8\*Ø4\*14mm



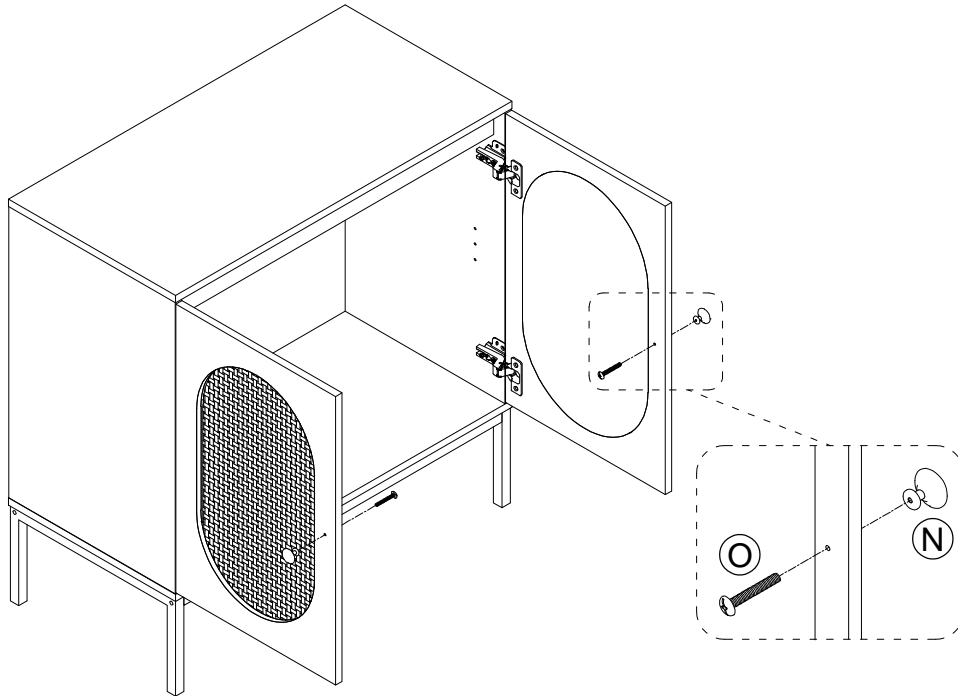
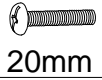
Connect installed (L) to board (10) with screws (M) as shown.

# 15

(N) x 2pcs



(O) x 2pcs

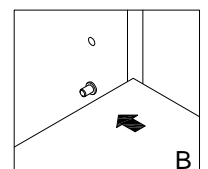
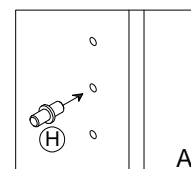
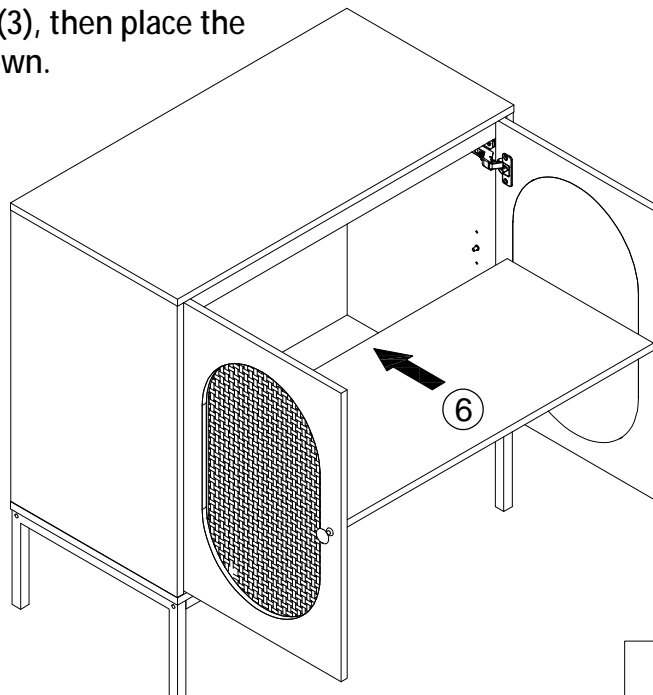


# 16

(H) x 4pcs

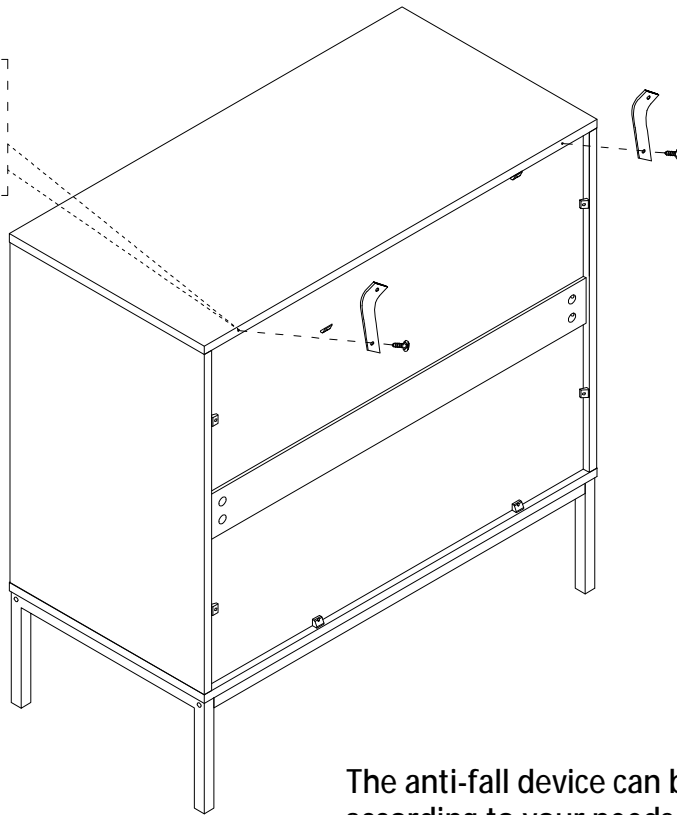
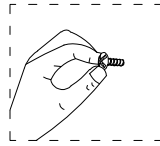
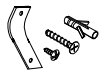


First, install (H) into (2)(3), then place the board (6) on (H) as shown.



17

ⓔ x 2pcs



The anti-fall device can be installed or not according to your needs.

