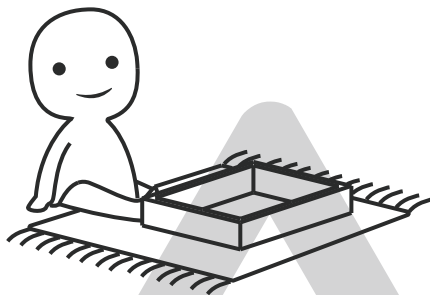
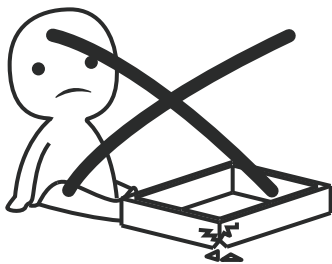


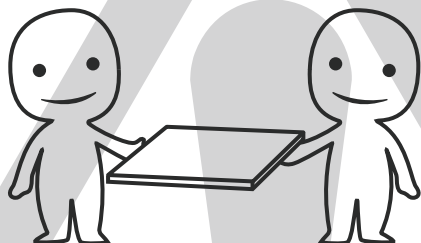
IMPORTANT INFORMATION!

please read the entire manual before starting to assemble and/or using this product. follow the manual thoroughly and keep it for further reference.



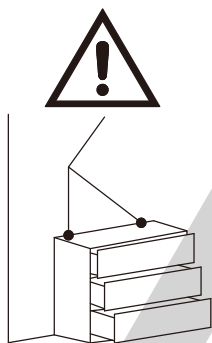
AVOID SCRATCHES!

In order to avoid scratching this furniture should be assembled on a soft layer- could be a rug.



IMPROVE EFFICIENCY !

Try to find a partner to install with you, which can speed up the installation efficiency and shorten the time.



ANTI-TOPPLE WARNING !

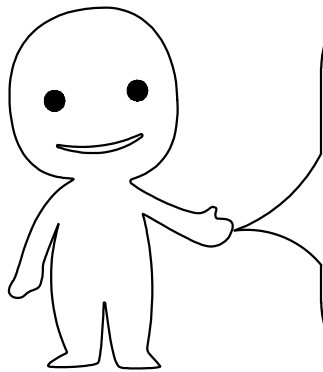
Overturnd furniture can cause serious or fatal crush injuries. To prevent tipping over, be sure to use the wall attachment, if not included with this product. Please purchase the wall attachment that fit your wall. If unsure, seek professional advice. Please read and follow each step of the instructions carefully.

IMPORTANT !

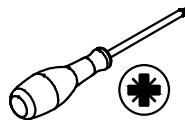
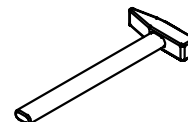
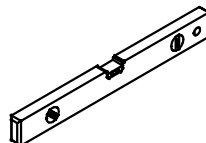
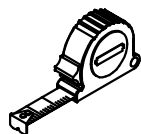
It is important that any product which is assembled using any kind of screw is re-tightened 2 weeks after assembly, and once every 3 months - in order to assure stability through-out the lifespan of the product.

For regular maintenance and cleaning of the product, for the frame, please use a rag dipped in neutral detergent to fully wipe it, and then dry it with a clean rag. For glass materials, wipe with a rag dampened with water glass cleaner, and then dry with a dry rag.



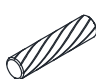
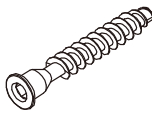
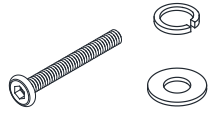
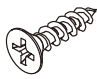
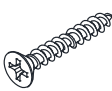





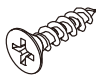

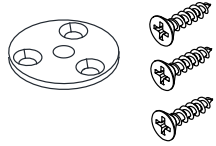

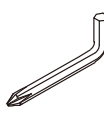
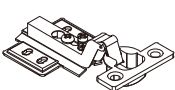
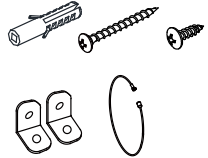

Do not use an electric screwdriver, and do not use too much force when installing, because the board is easy to break.

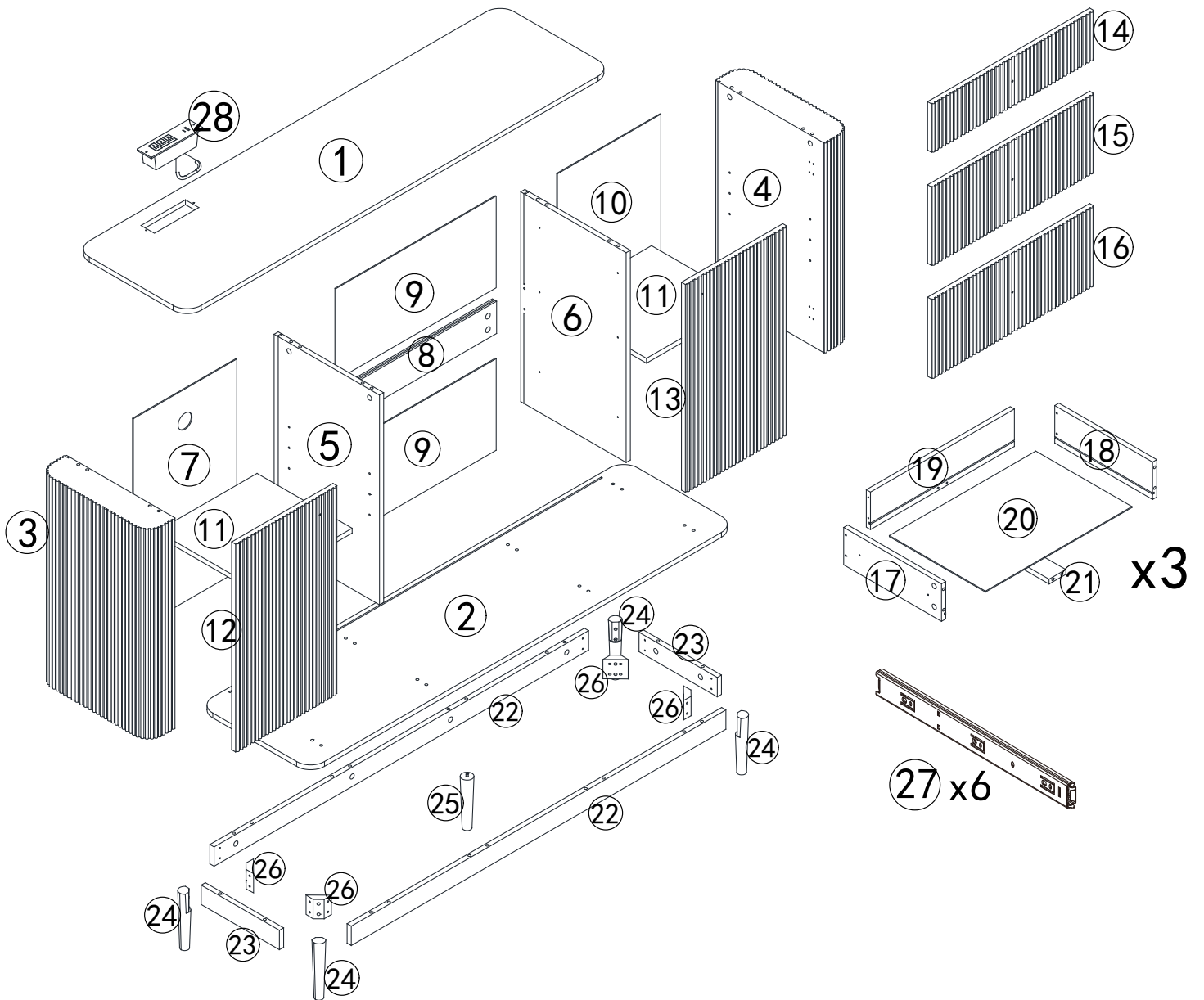


Please prepare the following tools



When installing, please carefully confirm whether each screw corresponds to the manual, accessories with similar shapes can be distinguished by size

<p>Ax42</p>  <p>ø6x35mm</p>	<p>Bx42</p>  <p>ø15x12mm</p>	<p>Cx24</p>  <p>ø8x30mm</p>	<p>Dx8</p>  <p>M7x38mm</p>	<p>Ex8</p>  <p>M6x45mm</p>
<p>Fx32</p>  <p>ø3.5x12mm</p>	<p>Gx18</p>  <p>ø4x30mm</p>	<p>Hx24</p>  <p>ø3x14mm</p>	<p>Ix24</p> 	<p>Jx8</p> 
<p>Kx5</p>  <p>M4x20mm</p>	<p>Lx5</p> 	<p>Mx24</p>  <p>ø4x14mm</p>	<p>Nx16</p>  <p>ø4x25mm</p>	<p>Ox1</p> 
<p>Px1</p>  <p>M6</p>	<p>Qx1</p>  <p>M4</p>	<p>Rx4</p> 	<p>Sx2</p> 	<p>Tx4</p> 



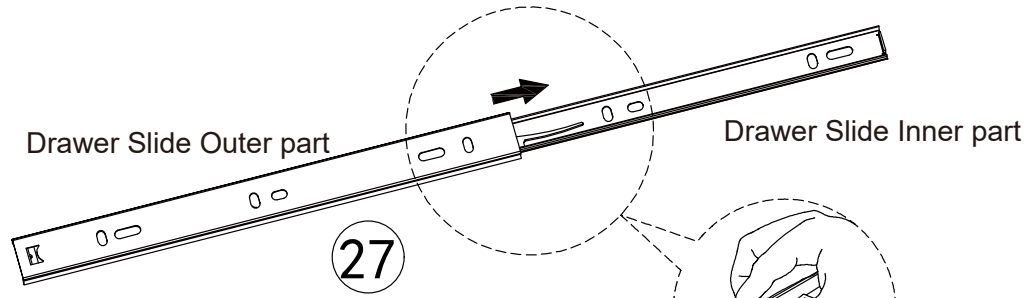



Children have died from furniture tipover. To reduce the risk of furniture tipover:

- ALWAYS instal tipover restraint provided.
- NEVER put a TV on this product.
- NEVER allow children to stand, climb or hang on drawers, doors, or shelves.
- NEVER open more than one drawer at a time.
- Place heaviest items in the lowest drawers.

This is a permanent label.
Do not remove!

1

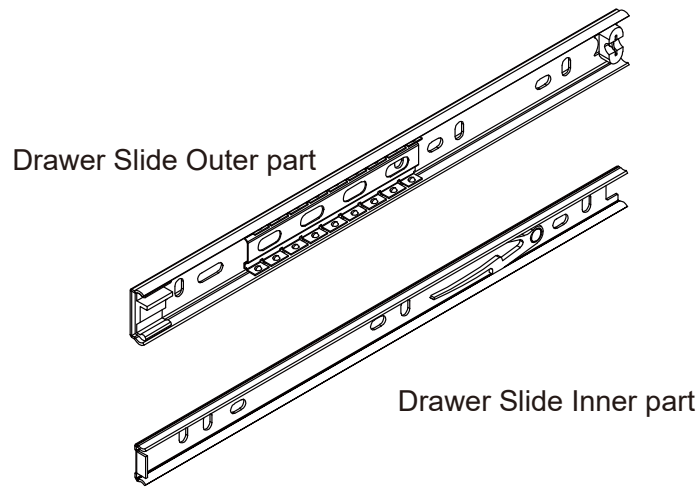


Drawer Slide Outer part

Drawer Slide Inner part

27

Release Tabs

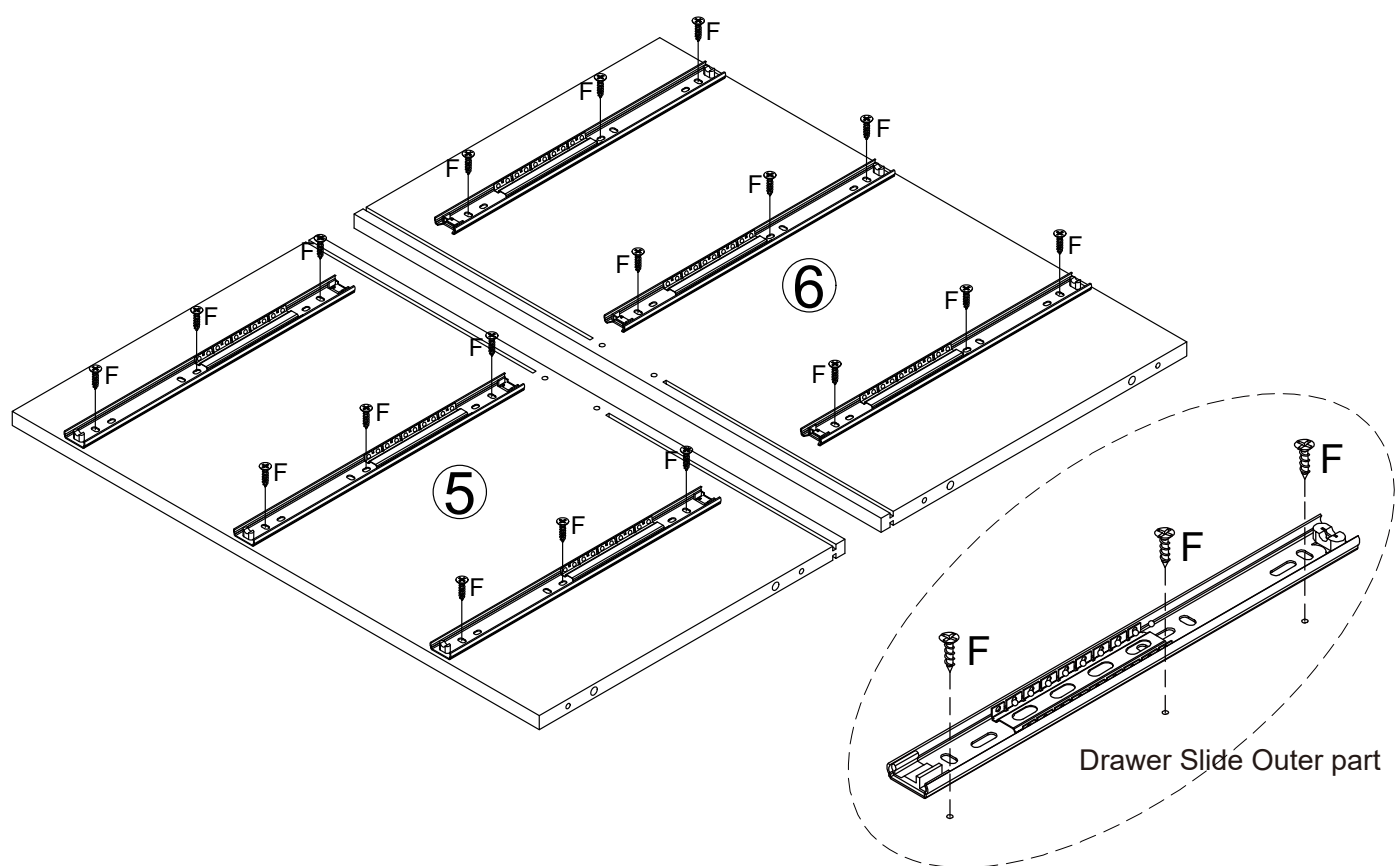
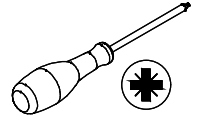


Drawer Slide Outer part

Drawer Slide Inner part

2

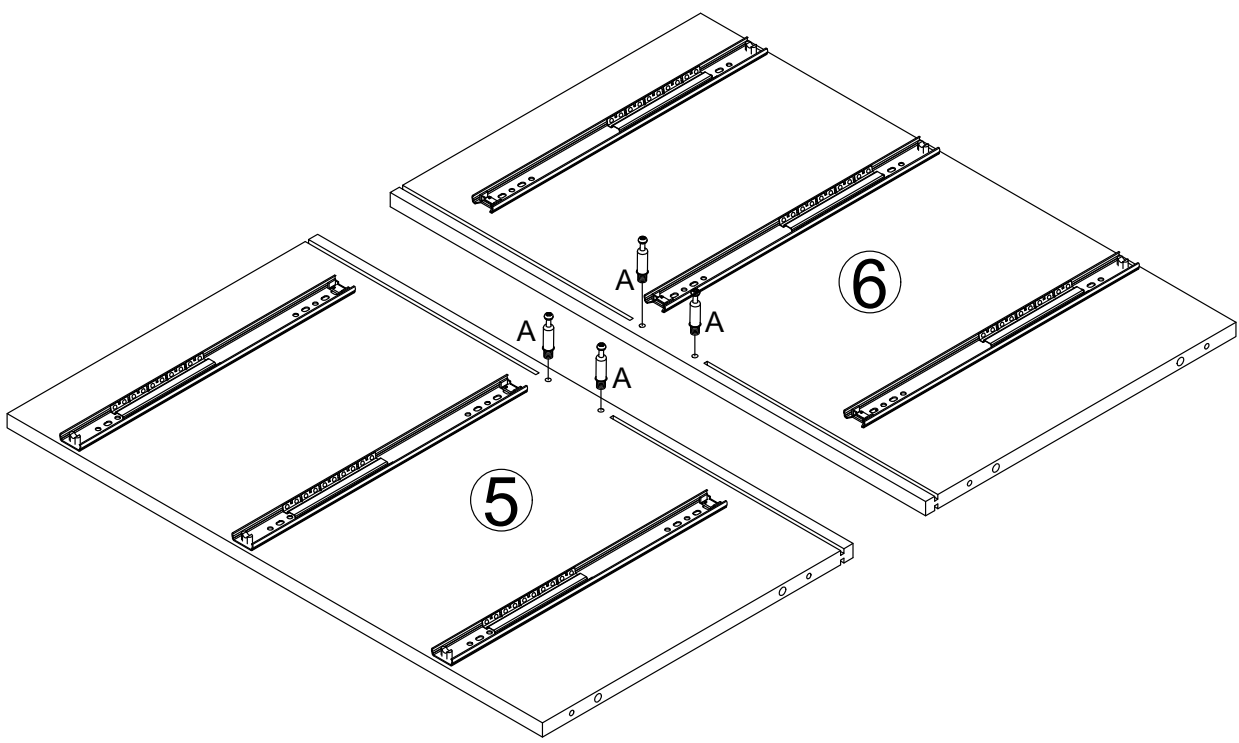
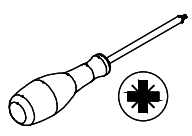
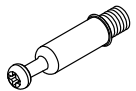
F X 18



Drawer Slide Outer part

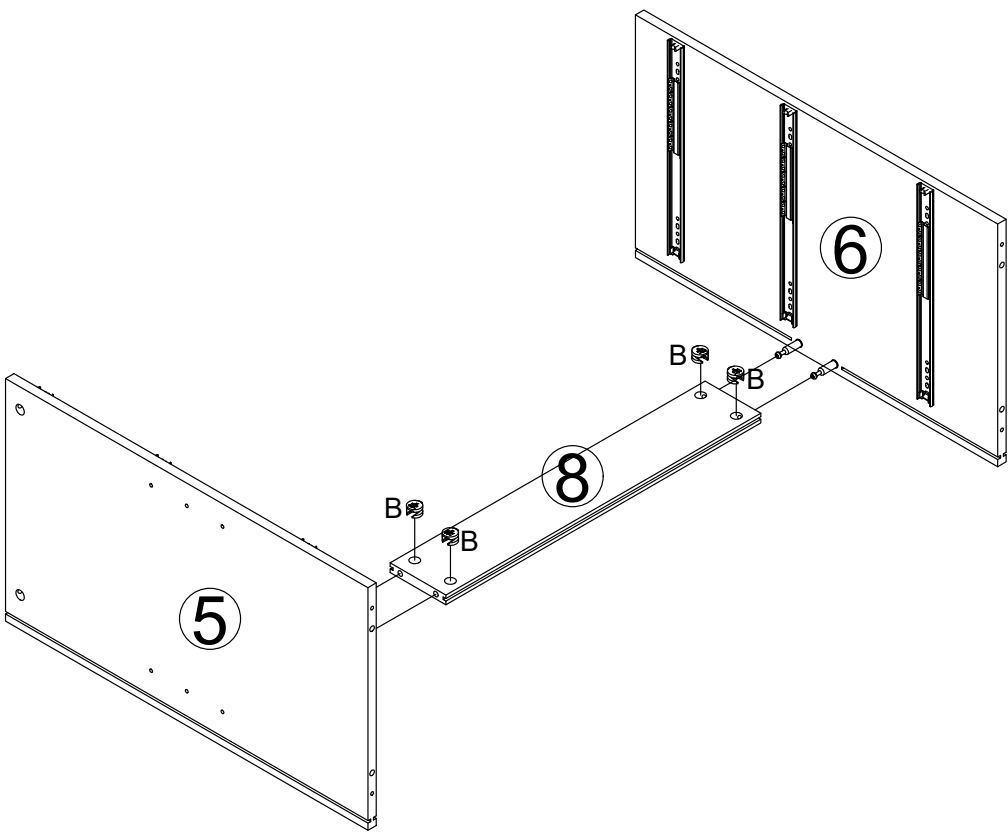
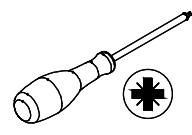
3

AX 4

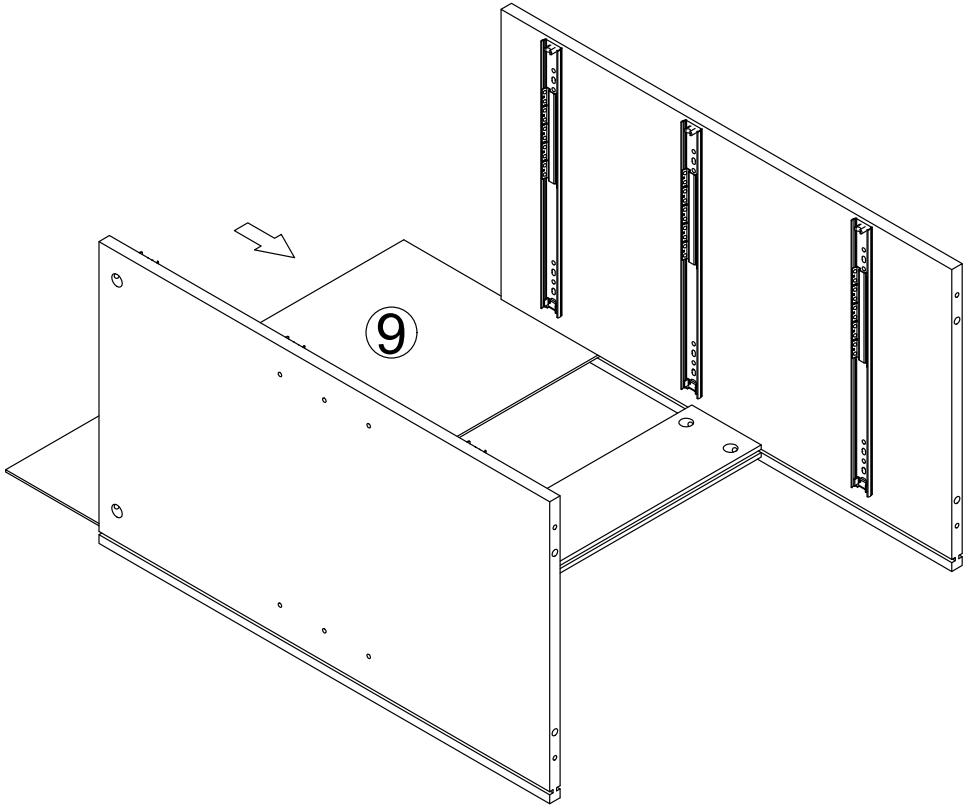


4

B X 4

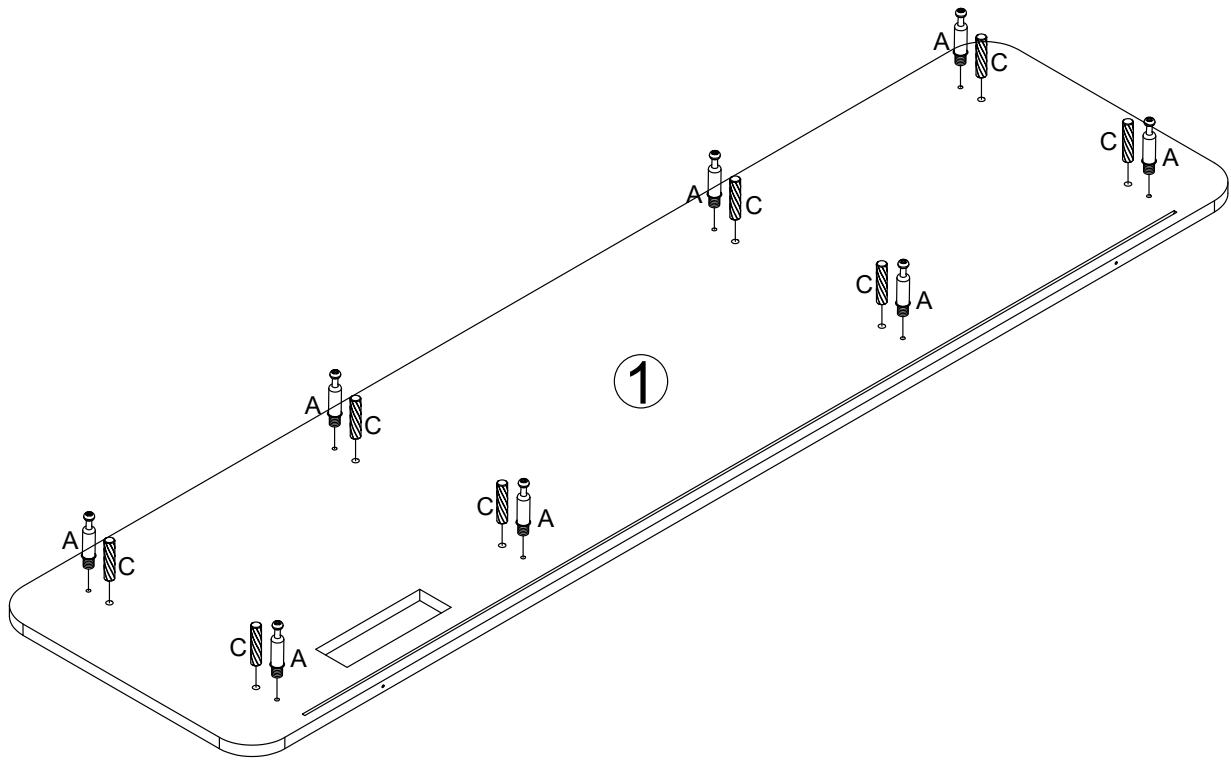


5



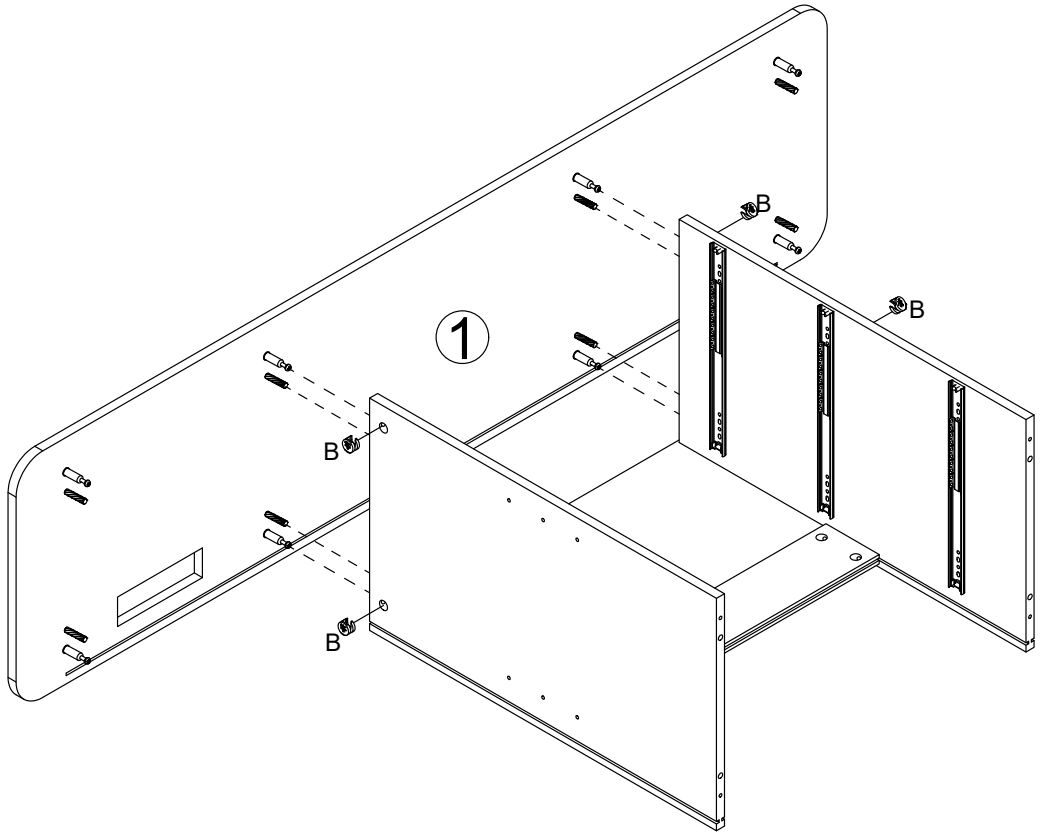
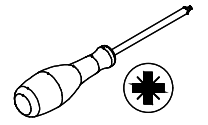
6

<p>AX8</p> 	<p>CX8</p> 	
--	--	---



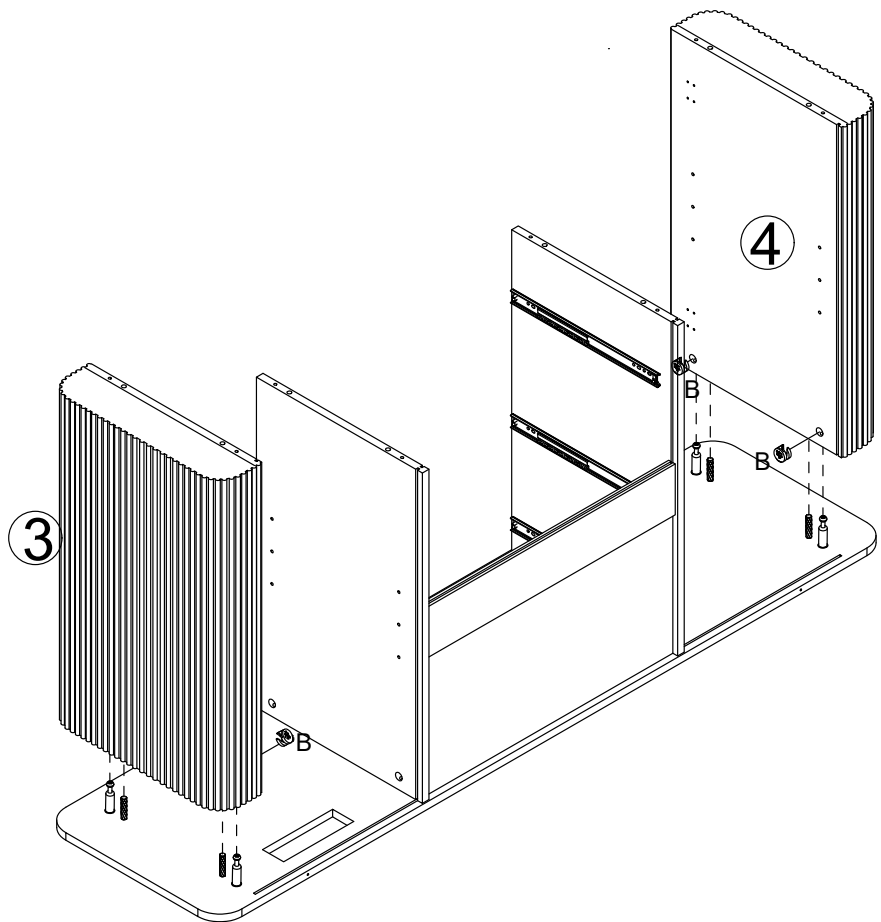
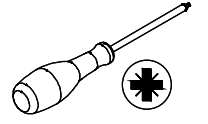
7

B X 4

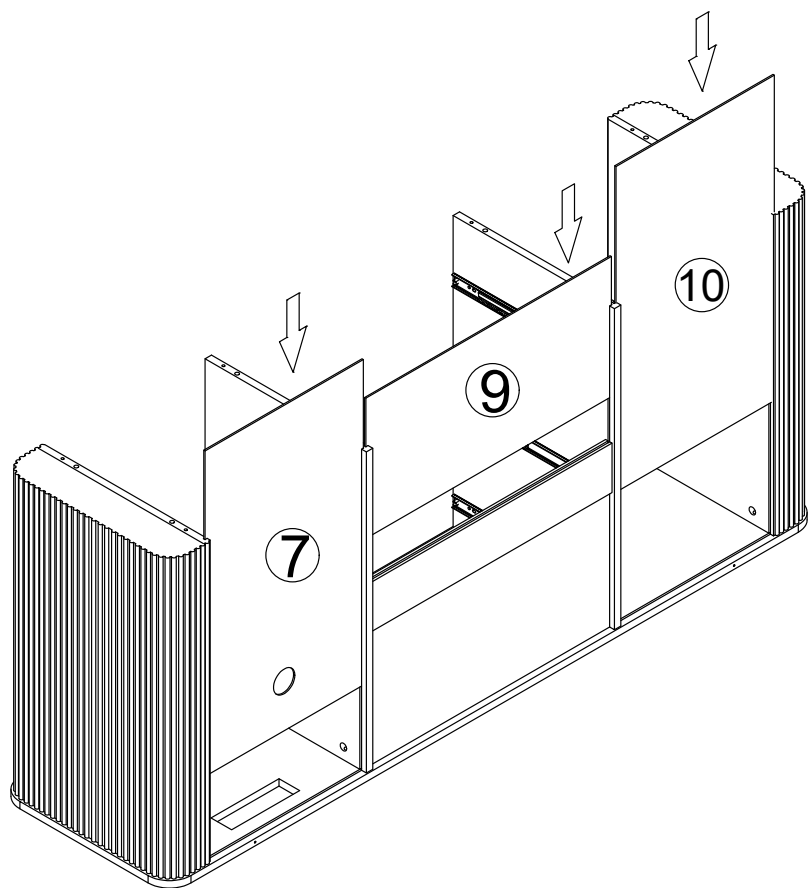


8

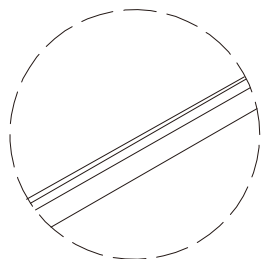
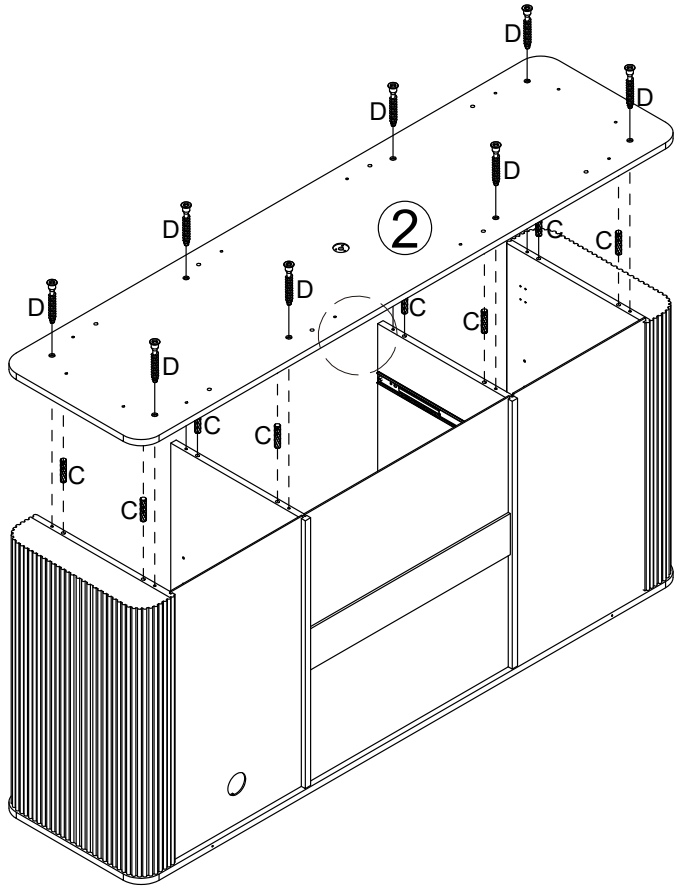
B X 4



9

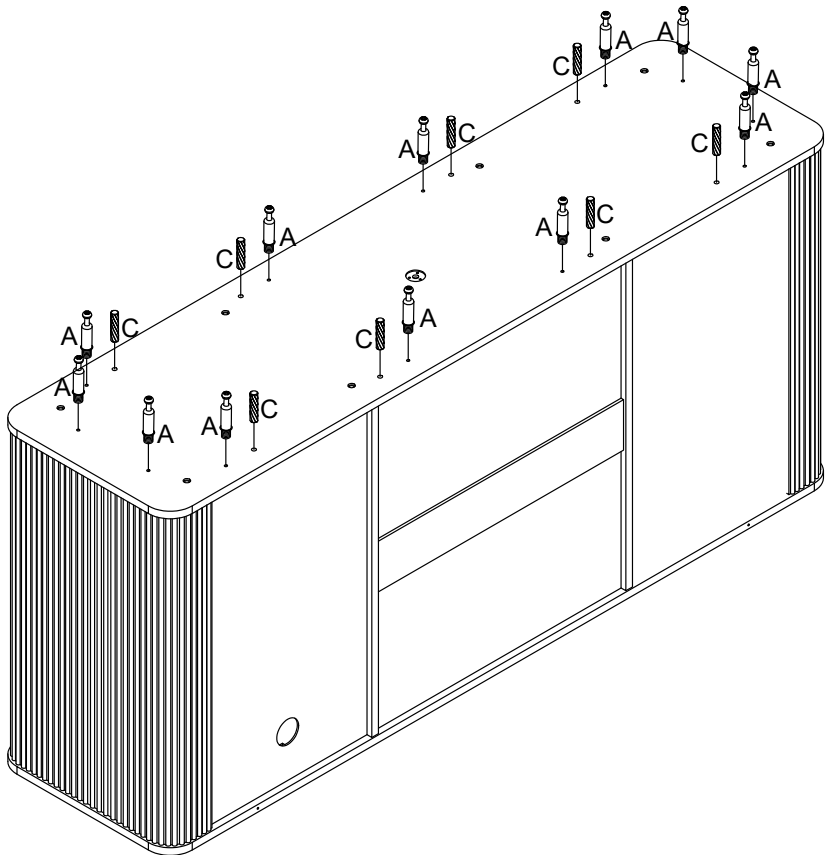
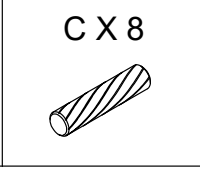
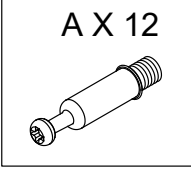


10

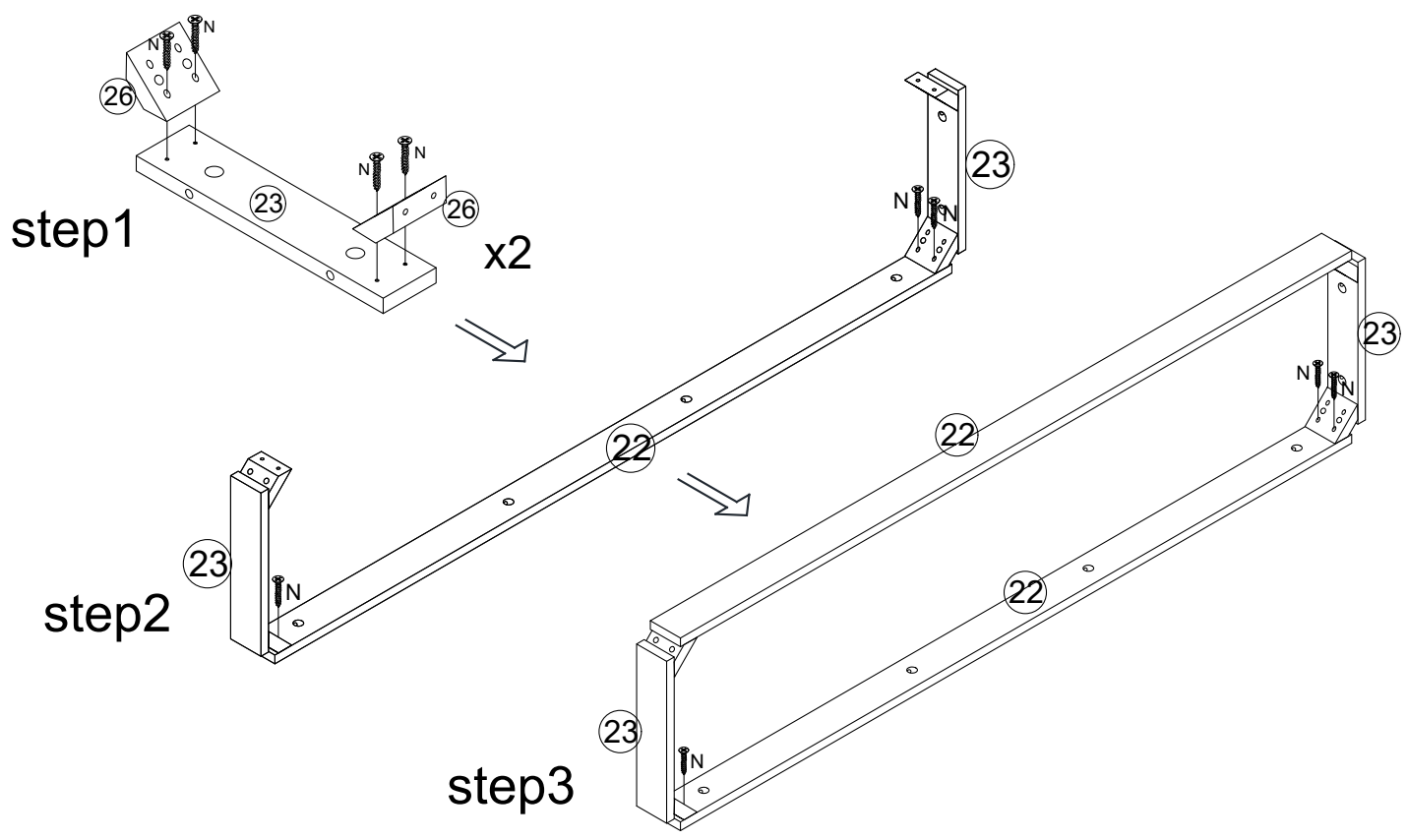
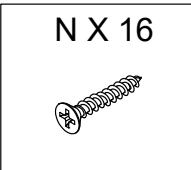


Note the direction of the backplane slot

11

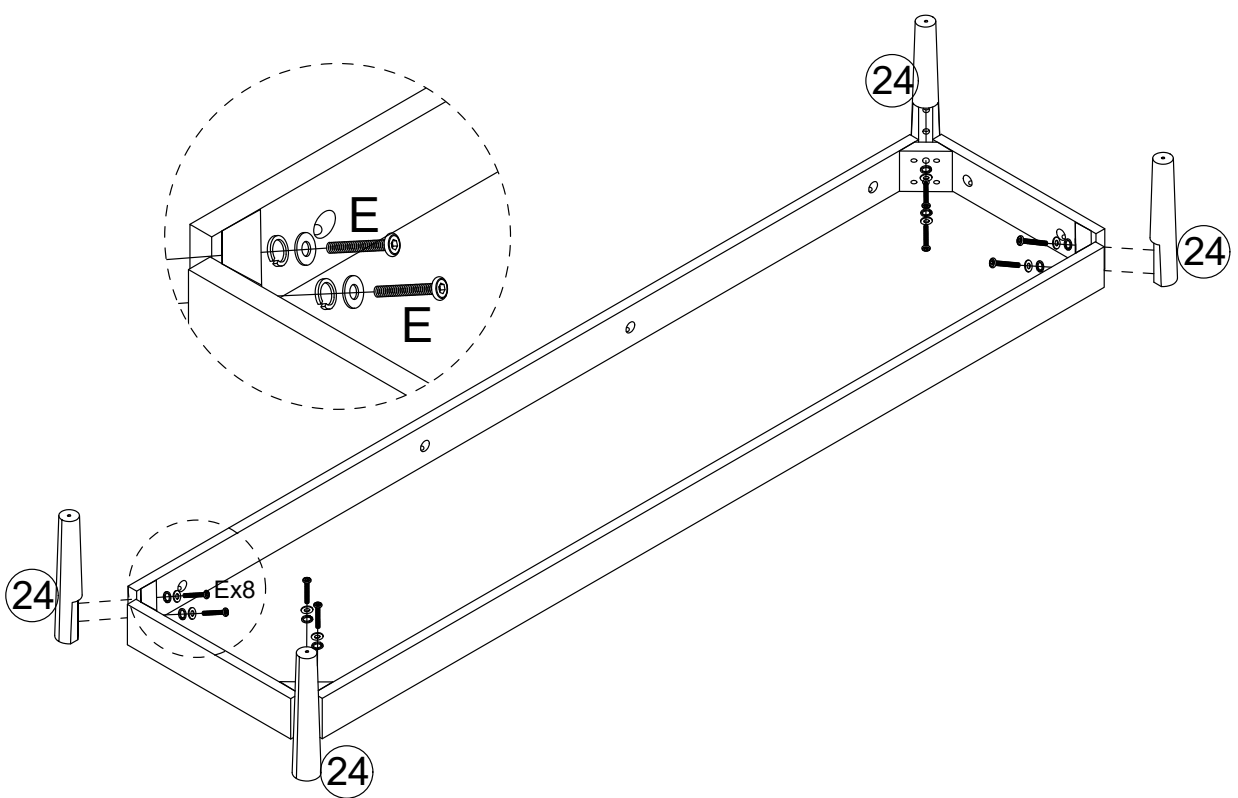
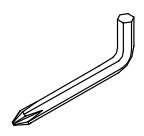
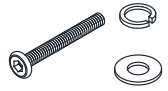


12



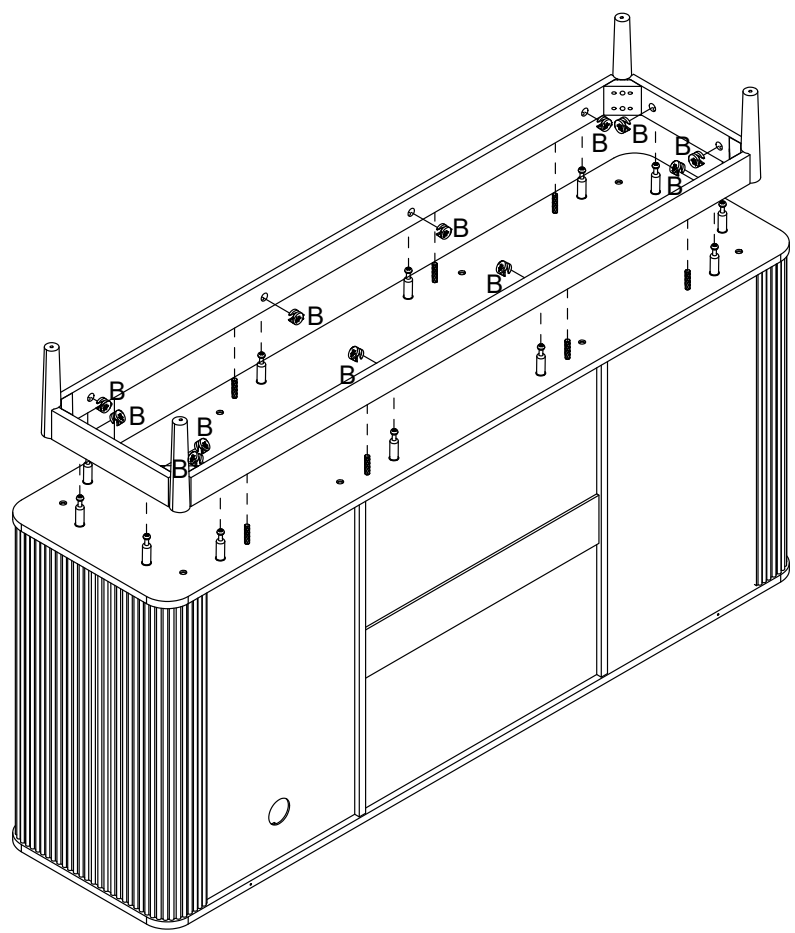
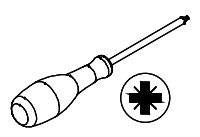
13

EX 8

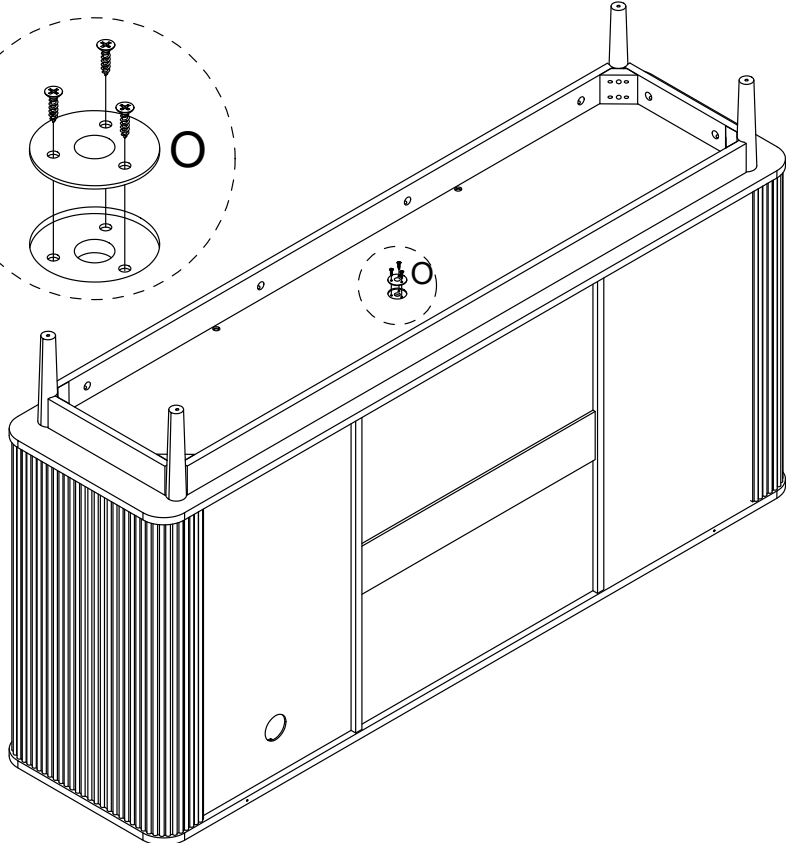
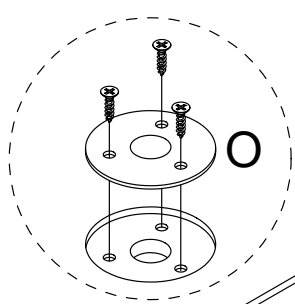
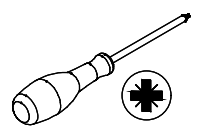
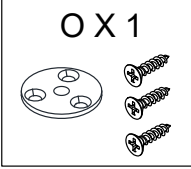


14

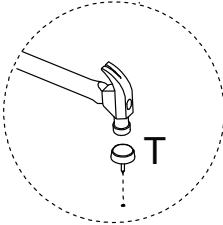
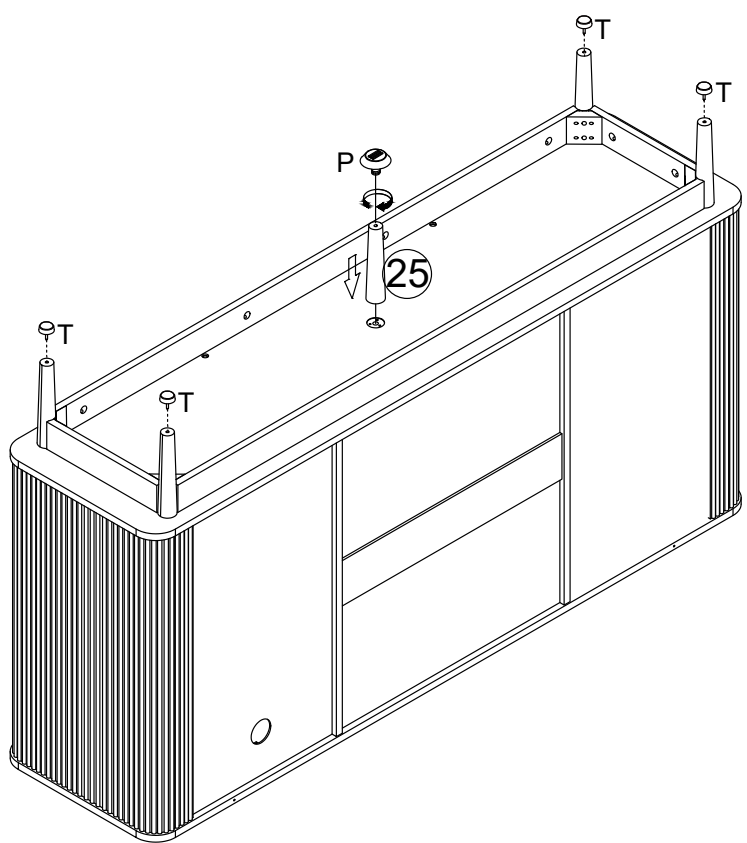
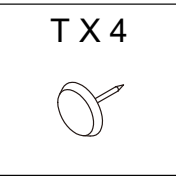
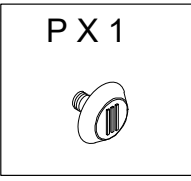
B X 12



15





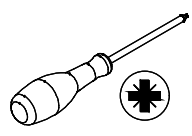


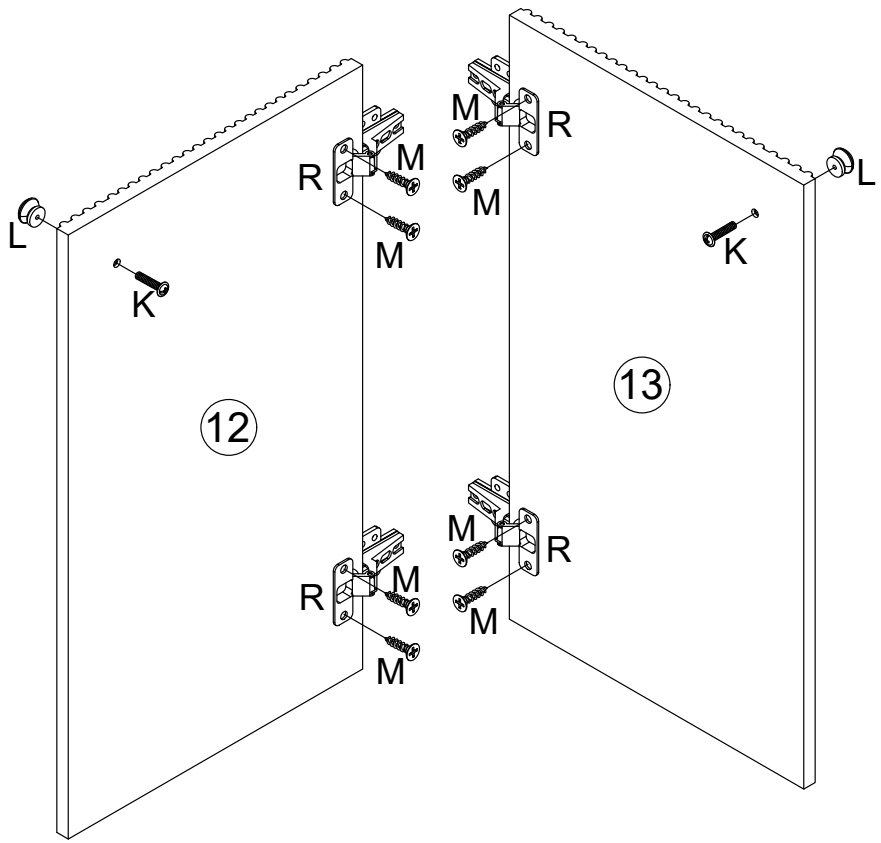
16




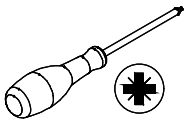
Caution! Tap lightly

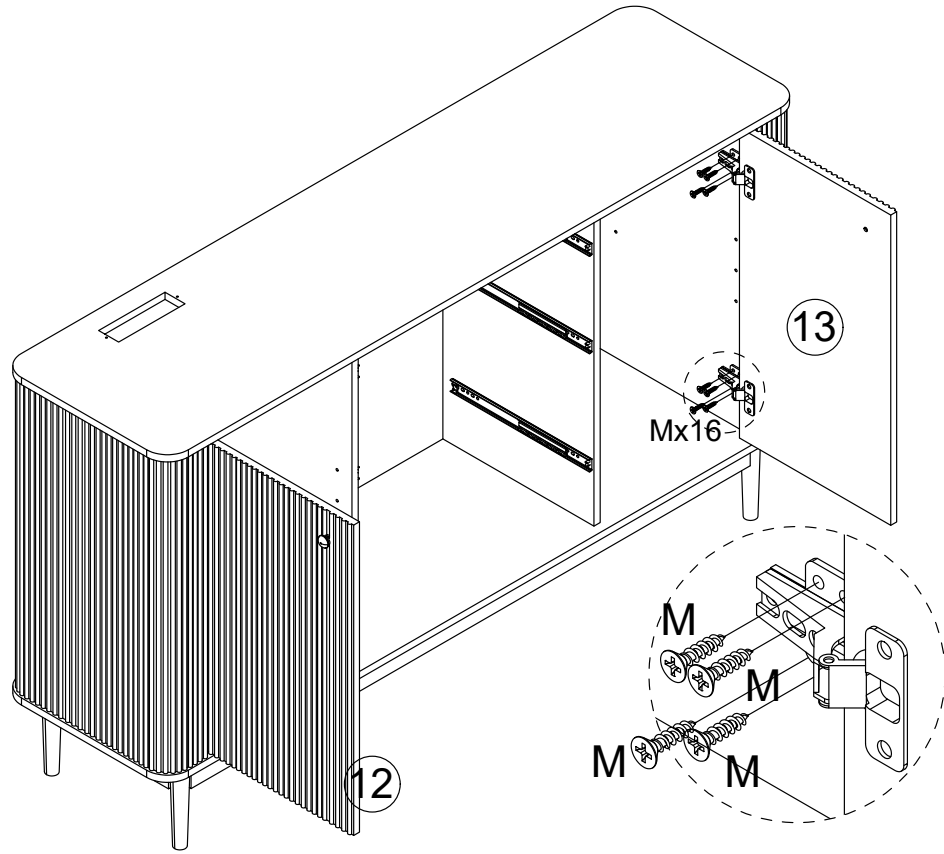
17

<p>K X 2</p> 	<p>L X 2</p> 	<p>M X 8</p> 	<p>R X 4</p> 	
---	---	--	---	--



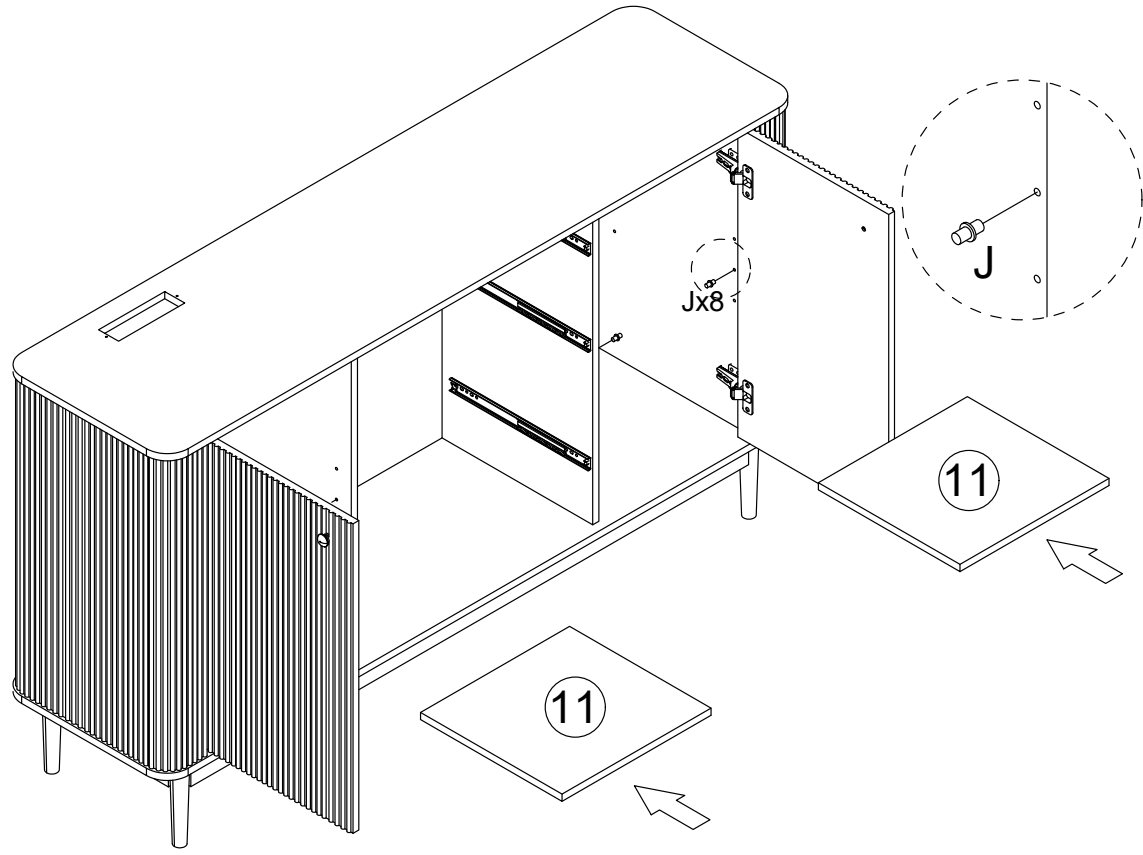
18

<p>M X 16</p> 	
---	---



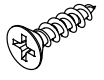
19

J X 8

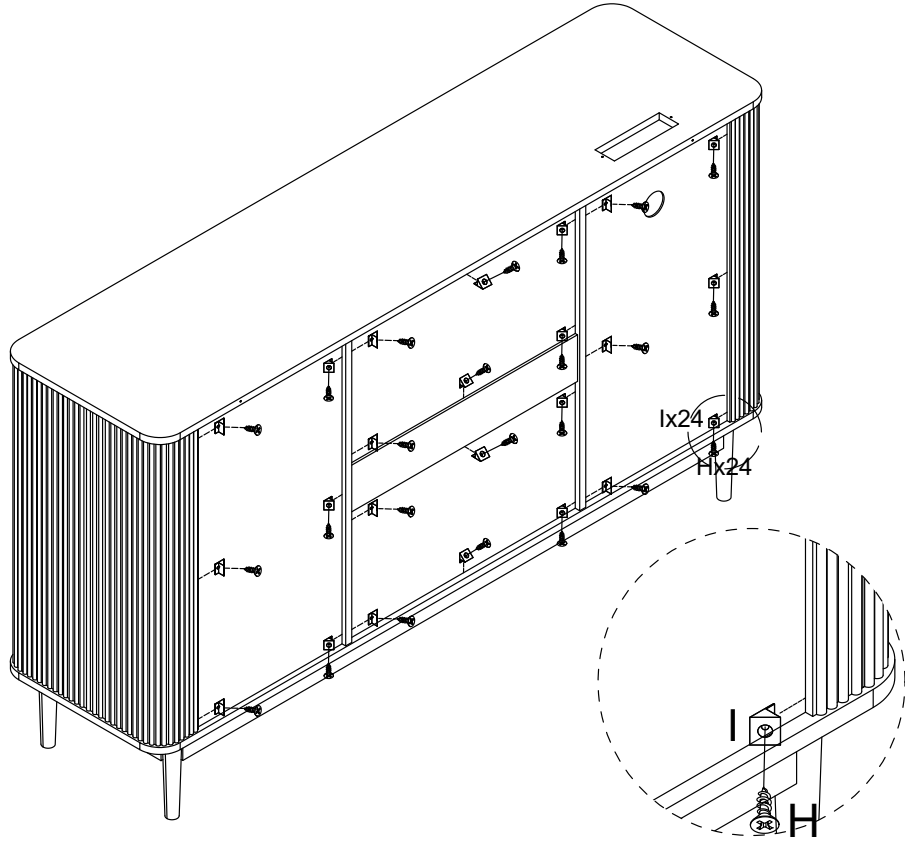
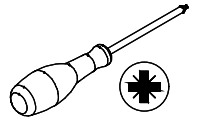


20

H X 24

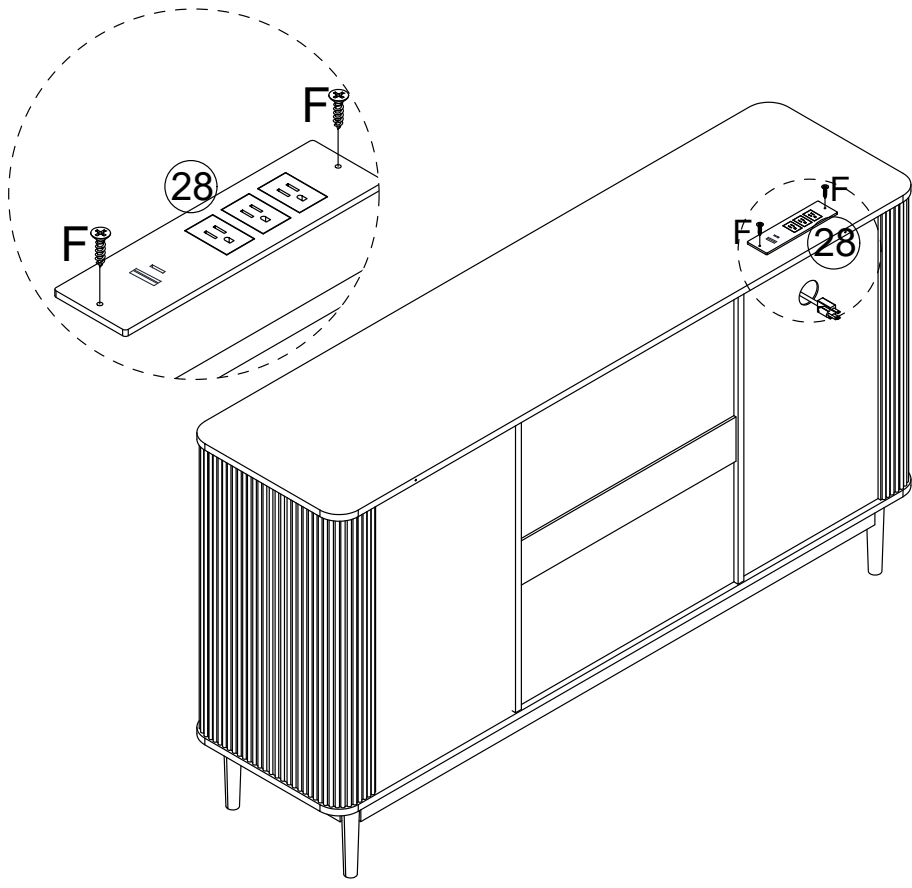
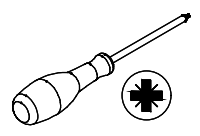
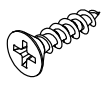


I X 24



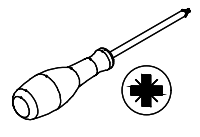
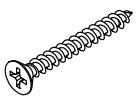
21

FX 2

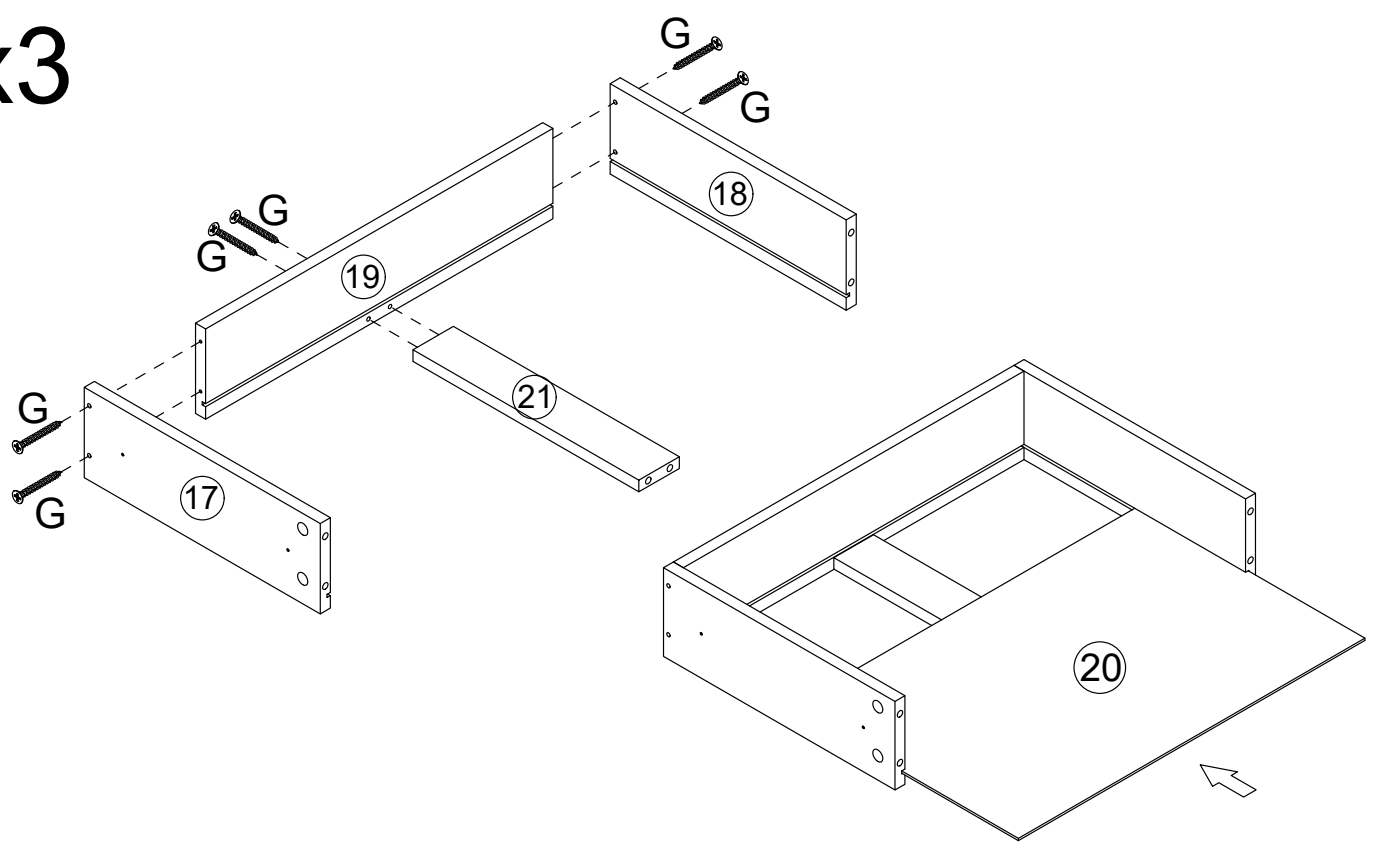


22

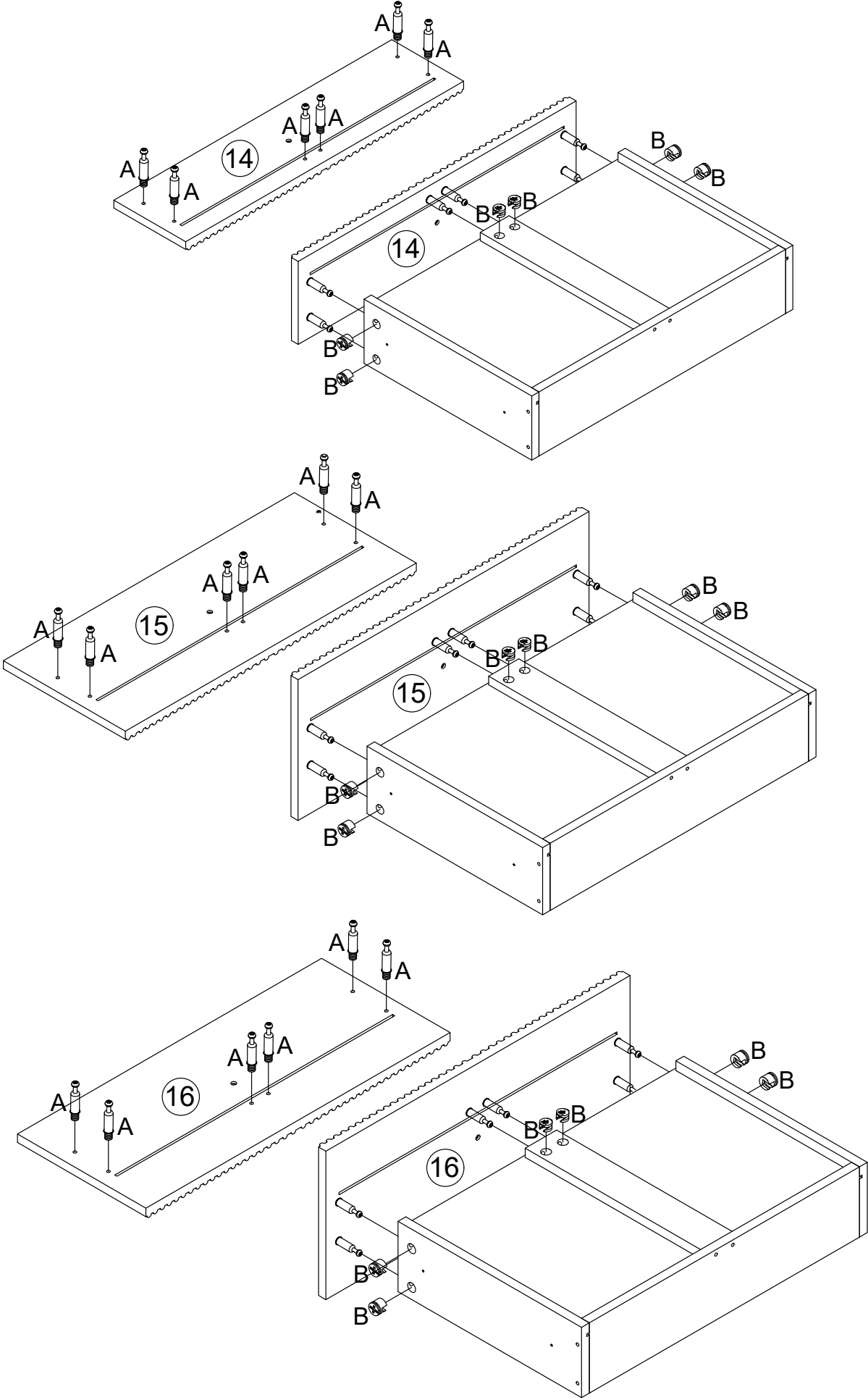
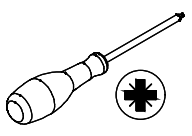
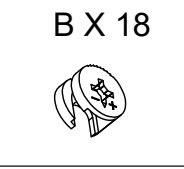
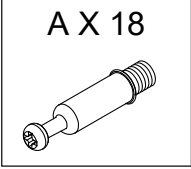
G X 18



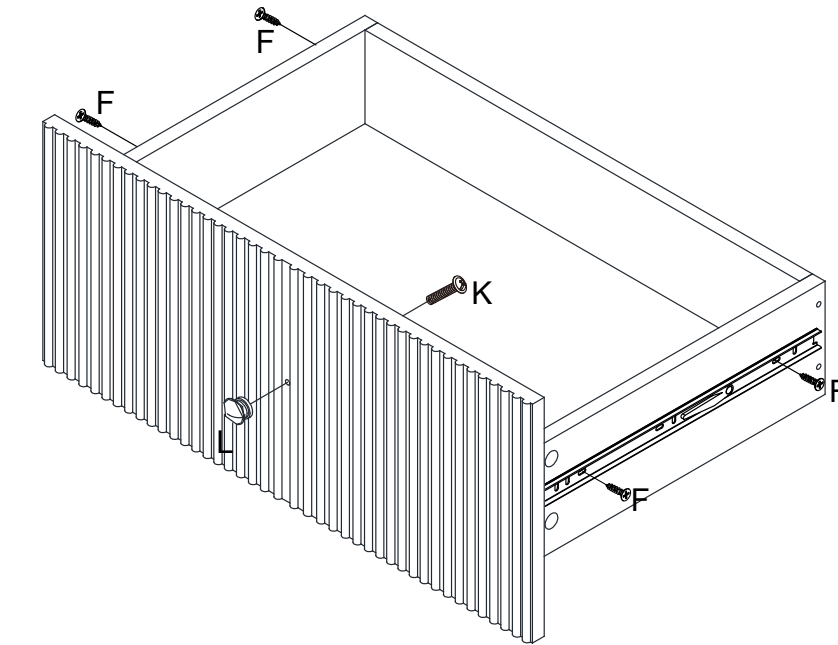
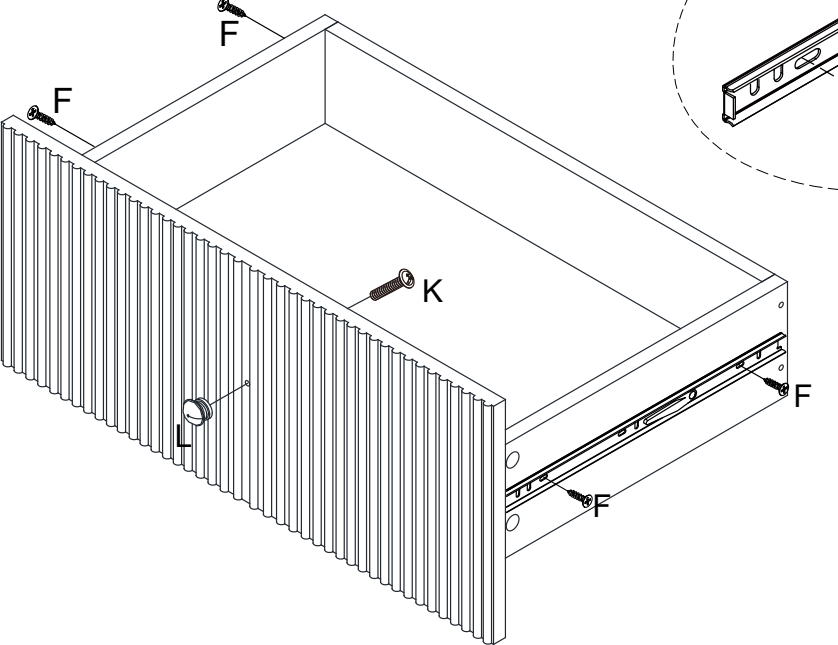
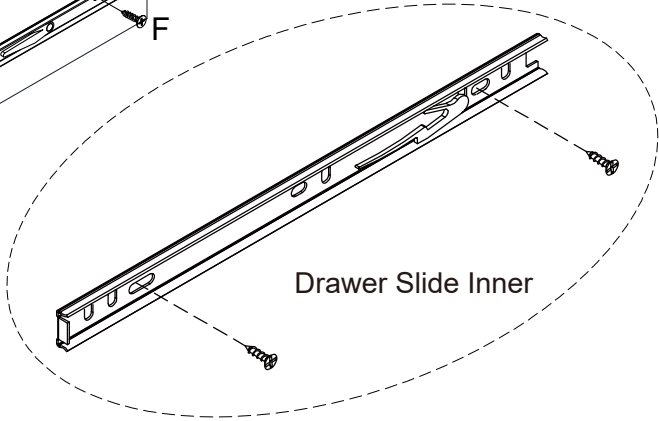
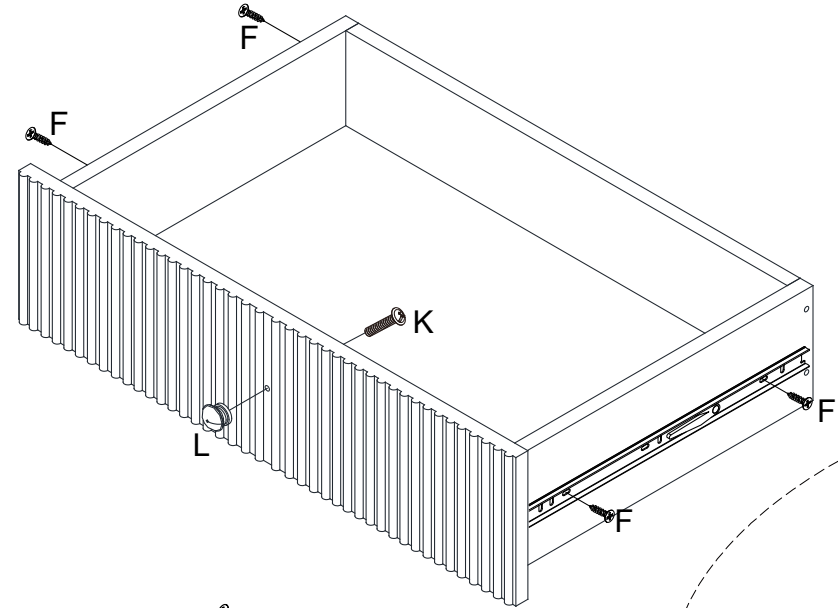
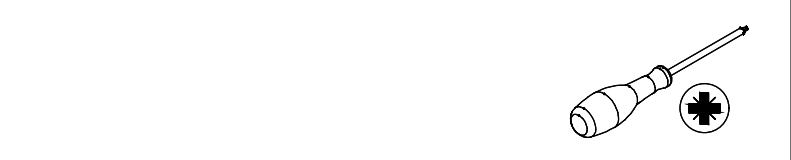
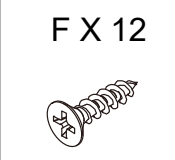
x3



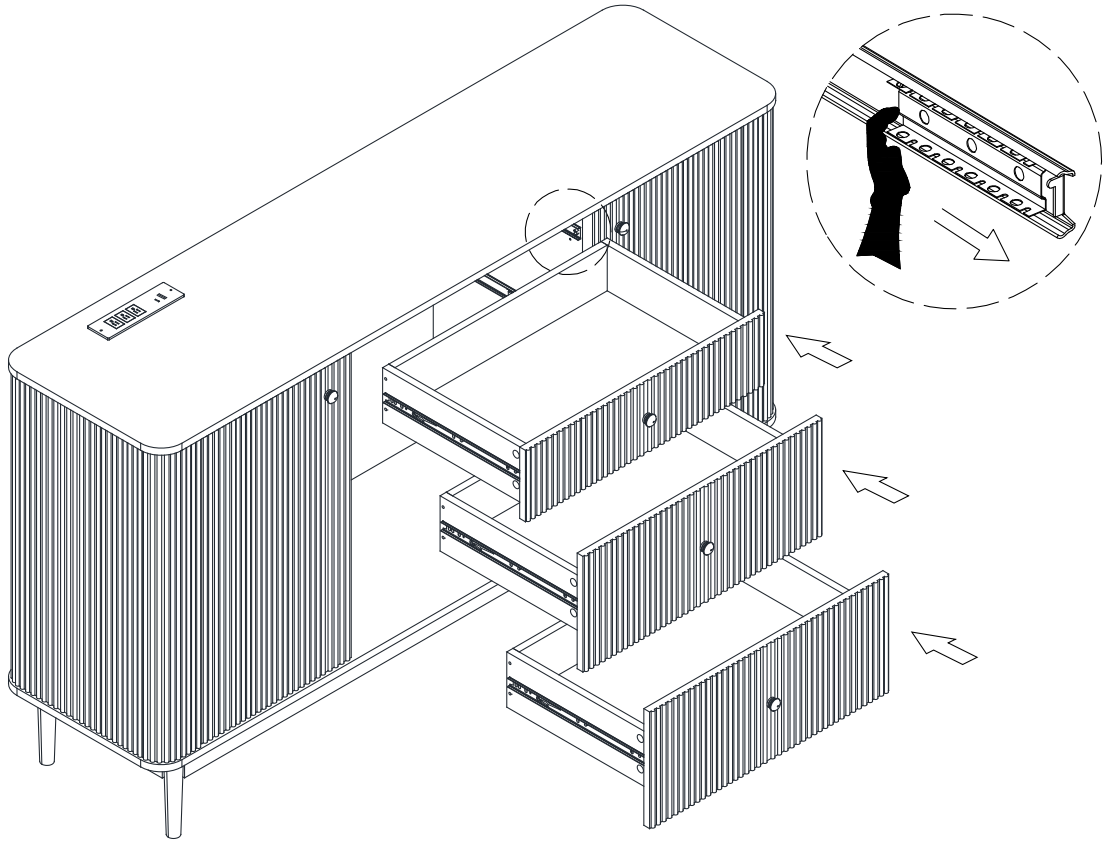
23



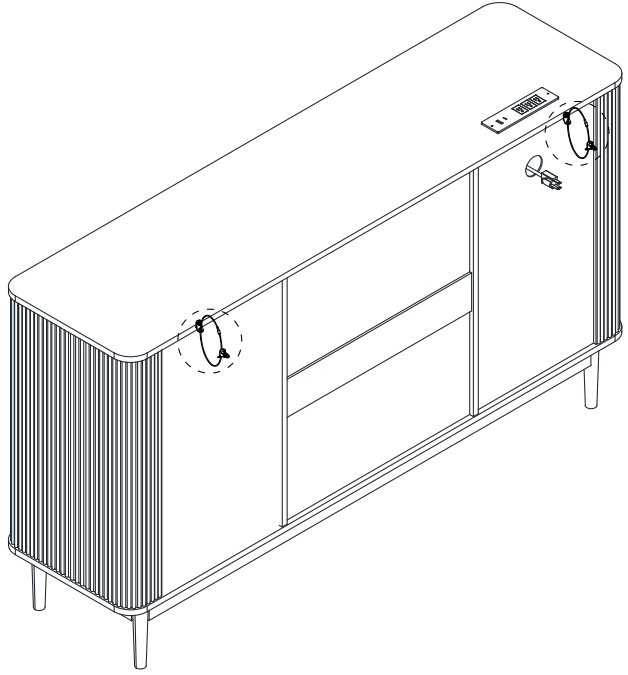
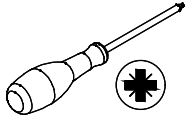
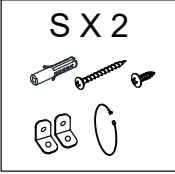
24



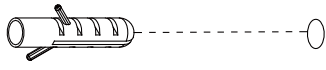
25



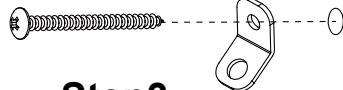
26



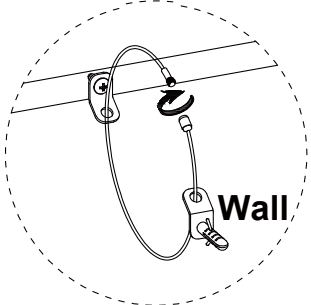
Step1 Wall



Step2

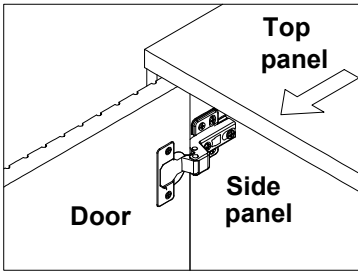


Step3



Step 1

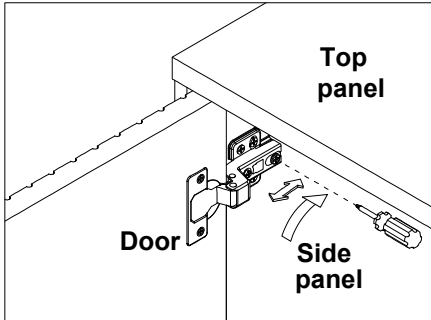
Open the door.



ADJUST YOUR DOORS TO MAKE THE GAPS MORE EVEN (OPTIONAL).

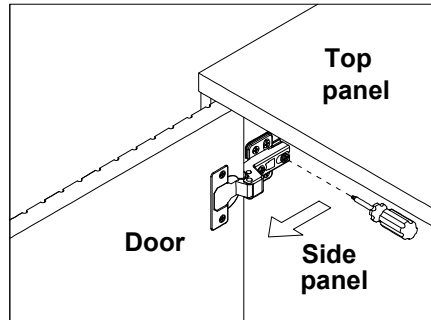
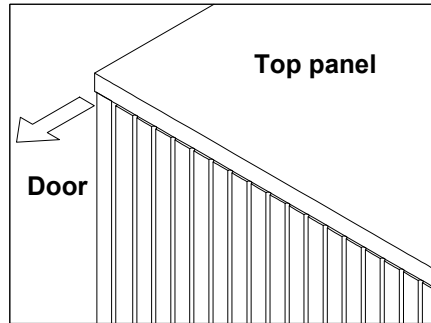
Step 2

Adjust the door panel to be flush with side panel and top panel edge.



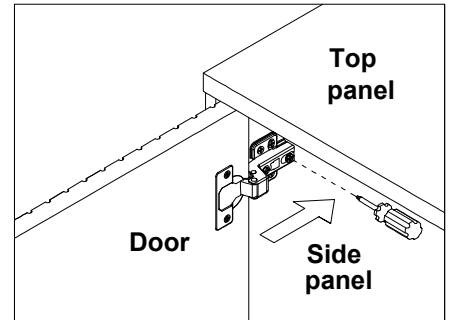
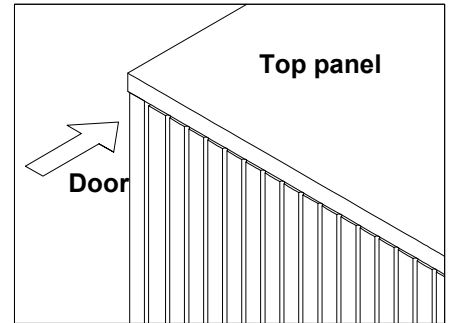
Loosen the screw indicated a little, adjust the hinge to the right position (see step 2a & 2b), then tighten the screw.

Step 2a MOVE DOOR OUT



Pull the hinge forward a little.

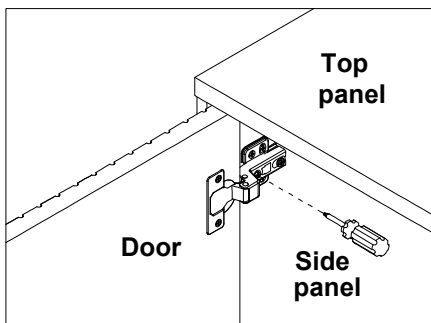
Step 2b MOVE DOOR IN



Push the hinge back a little.

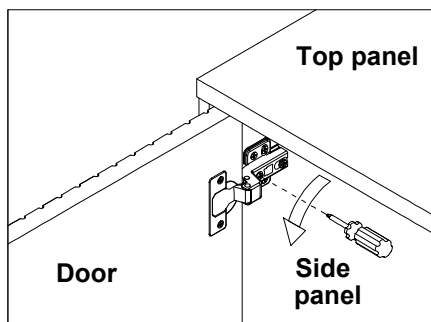
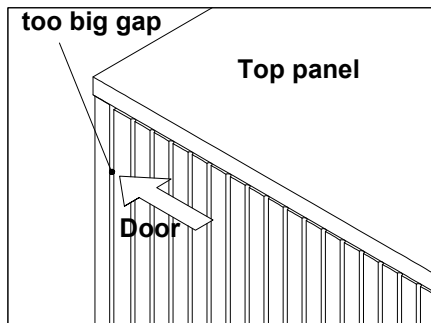
Step 3

Adjust the gap between the door panel and the side panel.



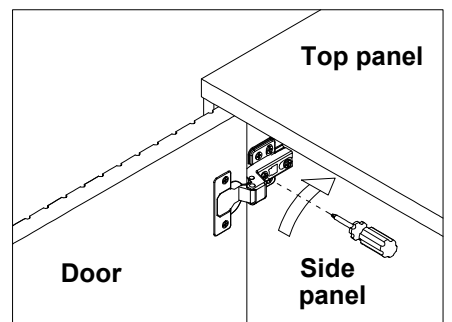
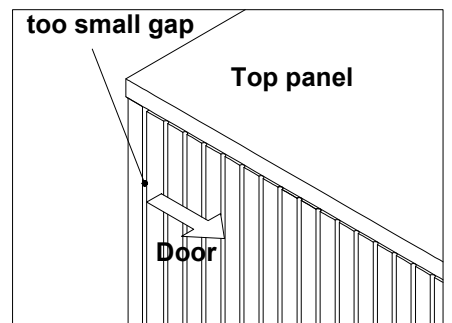
Loosen or tighten the screw indicated a little to adjust the gap between the door panels, adjust the hinge to the right position (see step 3a & 3b).

Step 3a MOVE DOOR LEFT



Turn the screw clockwise a little as shown to make the gap smaller

Step 3b MOVE DOOR RIGHT



Turn the screw counterclockwise a little as shown to make the gap bigger

A Guide to Wall Mounting & Fixings

Important note:

If plastic wall plugs (rawl plugs) are supplied with your product, e.g.:



- these are only suitable for use in masonry walls.

If you are in any doubt about the correct wall plugs for your wall, seek professional advice.


Failure of the product due to using the incorrect fixings is the responsibility of the installer.



Important: when drilling into walls always check that there are no hidden wires or pipes etc.

Make sure that the screws and wall plugs being used are suitable for supporting your unit. Consult a qualified tradesperson if you are unsure.

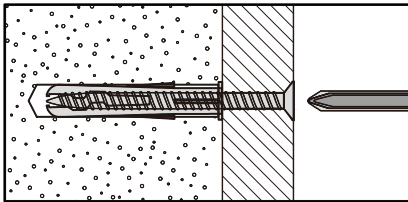
Hints:

- 1: General rule:  always use a larger screw and wall plug if you are not sure.
- 2: Ensure you use the recommended drill bit to match the wall plug and hole size.
- 3: Ensure you drill the hole horizontally; do not force the drill or enlarge the hole.
- 4: Take extra care when drilling high walls, ceilings and ceramic tiles. Ensure wall plugs are inserted beyond the thickness of the ceramic tiles to avoid the tiles splitting or cracking.
- 5: Ensure wall plugs are well fitted and are a tight fit in the drilled hole.

Types of walls

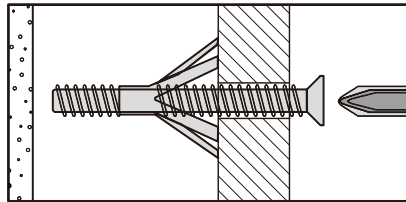
You can use one of the following types of wall plug if your walls are made of brick, breeze block, concrete, stone or wood.

No.1 "General Purpose" wall plug



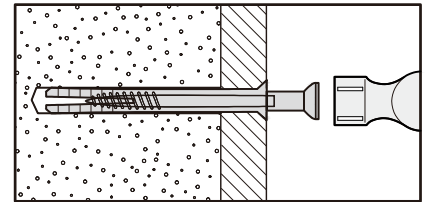
Generally aerated blocks should not be used to support heavy loads, use a specialist fitting in this case. For light loads, general purpose wall plugs can be used.

No.3 "Cavity Fixing" wall plug



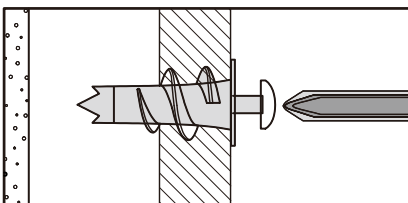
For use with plasterboard partitions or hollow wooden doors.

No.5 "Hammer Fixing" wall plug



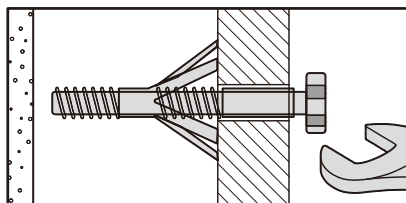
For use with walls stuck with plasterboard. The hammer fixing allows it to be fixed to the wall rather than the plasterboard. Always check the fixing is secure to the retaining wall.

No.2 "Plasterboard" wall plug



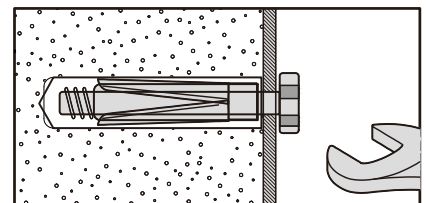
For use when attaching light loads onto plasterboard partitions.

No.4 "Cavity Fixing - Heavy Duty" wall plug



For use when fitting or supporting heavy loads such as shelving, wall cabinets and coat racks.

No.6 "Shield Anchor" wall plug - heavy loads



For use with heavier loads such as TV and HiFi speakers and satellite dishes etc.



Care & Maintenance

Safety: always check the fitting and location to ensure your safety in and around the home.

Fitting: from time to time check the fitting to ensure the wall plugs or screws do not become loose.