

ASSEMBLY INSTRUCTIONS

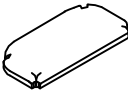





Important safety instructions:

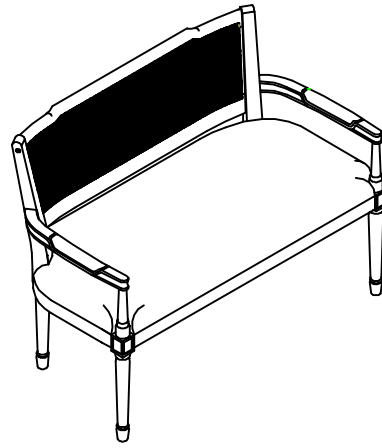
- Please carefully read all instructions before assembling.
- For your safety and ease, assembly by two or more adults is recommended.
- Keep instructions for future use.

Pre-assembly:








- Do not discard any contents until after assembly is complete to avoid accidentally discarding small parts or hardware.
- Remove all parts and hardware from box along with any plastic protective packaging.

Parts List

Item	Description	QTY
P1	Settee Seat 	1
P2	Back Left Leg  (P2)	1
P3	Back Right Leg  (P3)	1
P4	Front Left Leg with Arm  (P4)	1
P5	Front Right Leg with Arm  (P5)	1
P6	Settee Back 	1





Hardware List

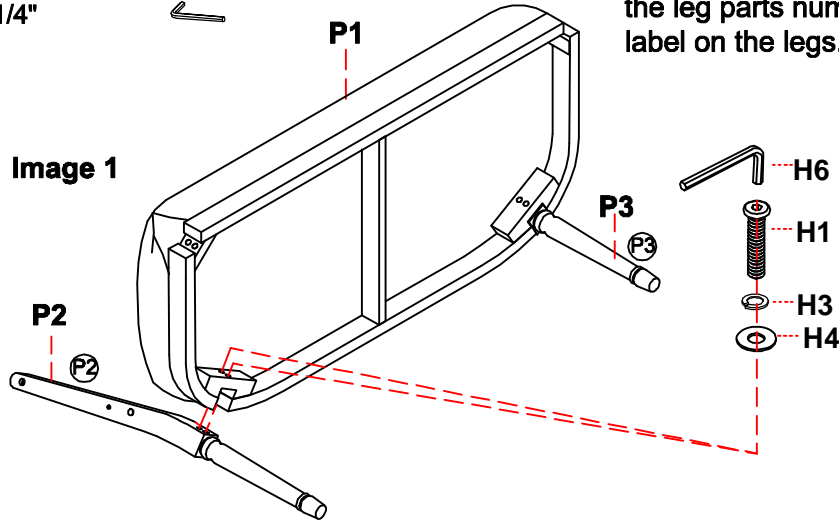
Item	Description	QTY
H1	Long Bolts $\phi 1/4'' \times 2-1/4'' L$ 	8
H2	Short Bolts $\phi 1/4'' \times 1-3/4'' L$ 	6
H3	Lock Washers 1/4" 	14
H4	Big Flat Washers 1/4" 	8
H5	Small Flat Washers 1/4" 	6
H6	Allen Wrench 1/4" 	1
H7	Wooden Plugs 	4

Assembly Procedures:

Step 1. Assemble the settee on a flat, soft surface such as a carpet or cloth to prevent scratching the finish. Loosely attach the back left leg (P2) and the back right leg (P3) to the bottom of settee seat (P1) as shown below image 1.

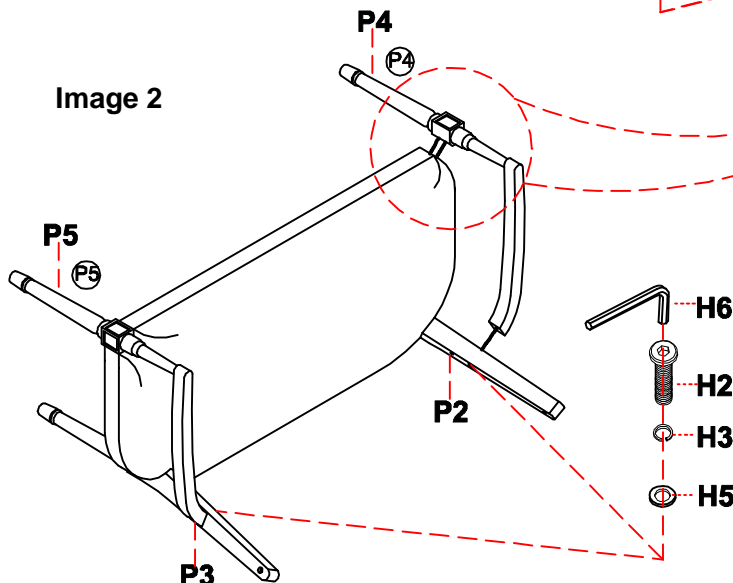
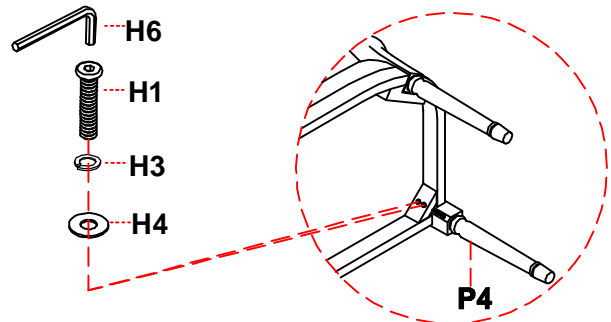
- (H1)x4 Long Bolts $\varnothing 1/4'' \times 2-1/4'' L$ 
- (H3)x4 Lock Washers 1/4" 
- (H4)x4 Big Flat Washers 1/4" 
- (H6)x1 Allen Wrench 1/4" 

Note: Please follow the leg parts number label on the legs.



Step 2. Loosely attach the front left leg with arm (P4) and the front right leg with arm (P5) to the settee seat (P1), the back left leg (P2) and the back right leg (P3) as shown below image 2.

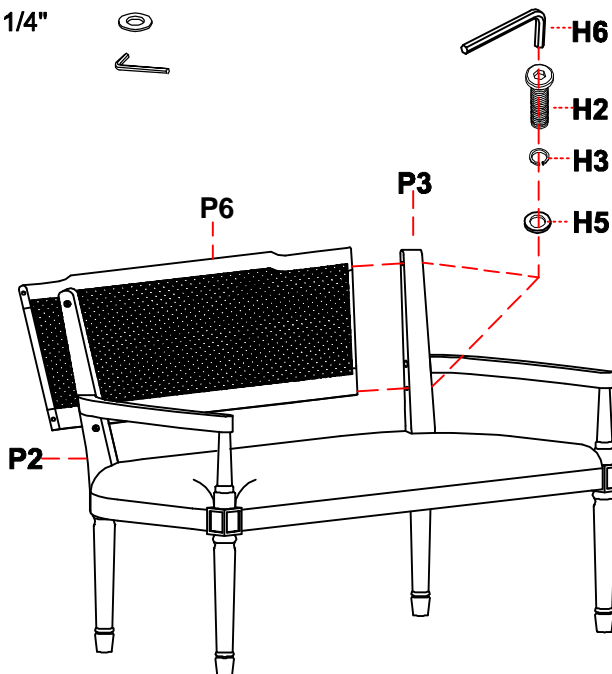
- (H1)x4 Long Bolts $\varnothing 1/4'' \times 2-1/4'' L$ 
- (H2)x2 Short Bolts $\varnothing 1/4'' \times 1-3/4'' L$ 
- (H3)x6 Lock Washers 1/4" 
- (H4)x4 Big Flat Washers 1/4" 
- (H5)x2 Small Flat Washers 1/4" 
- (H6)x1 Allen Wrench 1/4" 



Step 3. Securely tighten the bolts to arms by Allen wrench (H6). With one person for help, attach the settee back (P6) to the assembled back left leg (P2) and the back right leg (P3) as shown below image 3.

- (H2)x4 Short Bolts $\varnothing 1/4'' \times 1-3/4'' L$ 
- (H3)x4 Lock Washers 1/4" 
- (H5)x4 Small Flat Washers 1/4" 
- (H6)x1 Allen Wrench 1/4" 

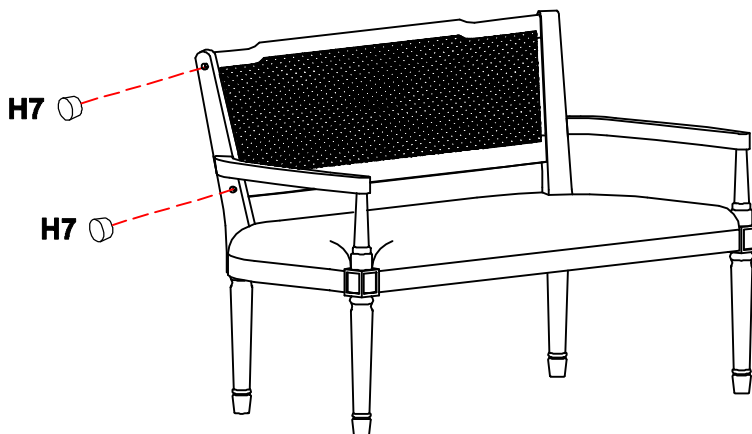
Image 3



Step 4.

- 1) Make sure the settee is level and securely tighten all bolts by Allen wrench (H6).
- 2) Attach the wooden plugs (H7) to each exposed bolt holes, tighten with rubber hammer to knock the wooden plugs till its tighten. **Note:** use a soft cloth between the wooden plug and hammer to prevent damage to the wooden plug finish.
- 3) Assembly is complete. **Failure to follow these instructions may cause the bolts to misalign during assembly.**

- (H7)x4 Wooden Plugs 



ADDITIONAL NOTE ABOUT SAFETY: BOLTS MAY LOOSEN DURING NORMAL EVERYDAY USE. THEY SHOULD BE PERIODICALLY INSPECTED AND RE-TIGHTENED TO PREVENT DAMAGE OR INJURY. ALWAYS CHECK TO BE SURE THAT ALL HARDWARE IS KEPT TIGHTENED.

Thank you for your purchase